

UTC M2950/2951 LINEAR INTEGRATED CIRCUIT

250 mA LOW-DROPOUT VOLTAGE REGULATOR

DESCRIPTION

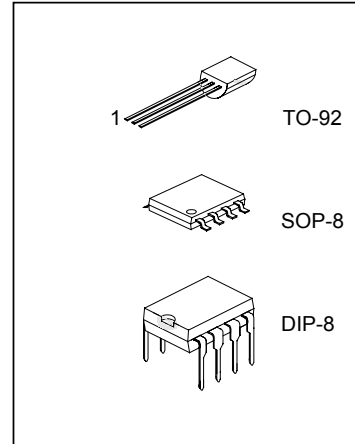
The UTC M2950/2951 is a monolithic integrated voltage regulator with low dropout voltage, and low quiescent current. It includes many features that suitable for different applications. Available in 3-pin TO-92, DIP-8 and SOP-8 packages.

FEATURES

- *High accuracy 2.5, 3.0, 3.3, 3.6 or 5V fixed output for TO-92, SOP-8 package.
- *Extremely low quiescent current and dropout voltage.
- *Extremely tight load and line regulation.
- *Current and thermal limiting.
- *Very low temperature coefficient.
- *Logic controlled shutdown and error flag available for DIP and SOP package.
- *Output voltage programmable for DIP and SOP package.

APPLICATIONS

- *Battery powered equipment.
- *High efficient linear regulator down to 1.24V.
- *Cellular phones.



UTC M2950/2951 LINEAR INTEGRATED CIRCUIT

PIN CONFIGURATIONS

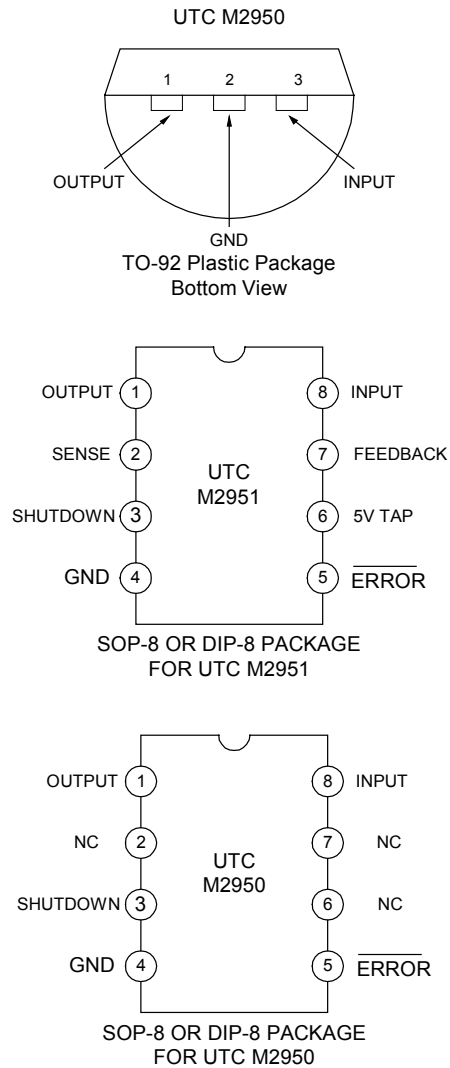
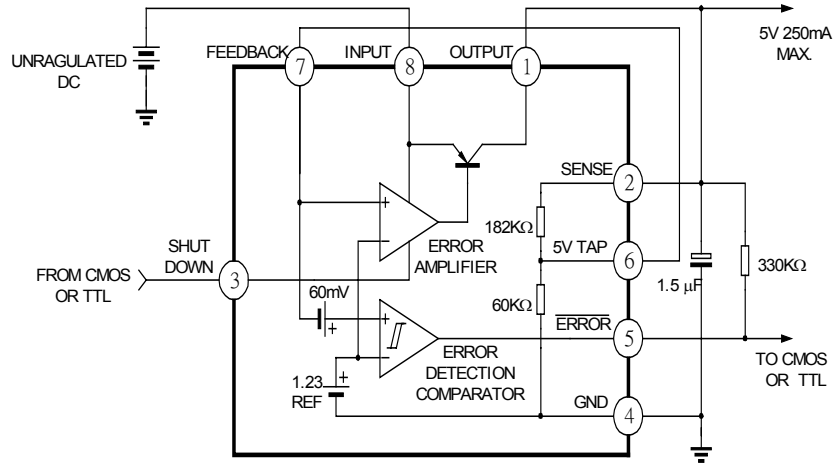


Fig. 1

UTC M2950/2951 LINEAR INTEGRATED CIRCUIT

BLOCK DIAGRAM



FOR UTC M2951

ABSOLUTE MAXIMUM RATINGS

PARAMETER	SYMBOL	VALUE	UNIT
Supply Voltage	V _{cc}	-0.3~+18	V
Feedback Voltage	V _{feedback}	-1.5~+18	V
Shutdown Voltage	V _{shutdown}	-0.3~+18	V
Comparator Output Voltage	V _{co}	-0.3~+18	V
Storage Temperature	T _{str}	-65~+150	°C
Operating Junction Temperature	T _j	-40~+125	°C

UTC M2950/2951 LINEAR INTEGRATED CIRCUIT

ELECTRICAL CHARACTERISTICS

(Tested at $T_j=25^{\circ}\text{C}$, $V_{IN}=6\text{V}$, $I_L=100\mu\text{A}$ and $C_L=1\mu\text{F}$, unless otherwise specified)

PARAMETER	PART NUMBER	TEST CONDITION	MIN.	TYP.	MAX.	UNIT
Output Voltage	UTC M2950-2.5	$T_J=25^{\circ}\text{C}$	2.45	2.5	2.55	V
	UTC M2950-3.0		2.94	3.0	3.06	
	UTC M2950-3.3		3.23	3.3	3.36	
	UTC M2950-3.6		3.53	3.6	3.67	
	UTC M2950-5.0		4.90	5.0	5.10	
	UTC M2951	(note 1)				
	UTC M2950-2.5	$-25^{\circ}\text{C}\leq T_J\leq +85^{\circ}\text{C}$	2.45	2.5	2.55	V
	UTC M2950-3.0		2.94	3.0	3.06	
	UTC M2950-3.3		3.23	3.3	3.36	
	UTC M2950-3.6		3.53	3.6	3.67	
UTC M2950-5.0	4.90		5.0	5.10		
UTC M2951	(note 1)					
Output Voltage	UTC M2950-2.5	$100\mu\text{A}\leq I_L\leq 250\text{mA}$ $T_j\leq T_j(\text{max})$	2.45	2.5	2.55	V
	UTC M2950-3.0		2.94	3.0	3.06	
	UTC M2950-3.3		3.23	3.3	3.36	
	UTC M2950-3.6		3.53	3.6	3.67	
	UTC M2950-5.0		4.90	5.0	5.10	
	UTC M2951		(note 1)			
Output Voltage Temperature Coefficient			20		100	ppm/ $^{\circ}\text{C}$
Line Regulation		$6\text{V}\leq V_{IN}\leq 18\text{V}$	0.03	0.1	0.2	%
Load Regulation		$100\mu\text{A}\leq I_L\leq 250\text{mA}$	0.04	0.1	0.2	%
Dropout Voltage		$I_L=100\mu\text{A}$	50	80	150	mV
		$I_L=250\text{mA}$ (note 2)	380	450	600	
Ground Current		$I_L=100\mu\text{A}$	75	120	140	μA
		$I_L=250\text{mA}$	8	12	22	mA
Dropout Ground Current		$V_{IN}=4.5\text{V}, I_L=100\mu\text{A}$	110	170	200	μA
Current Limit		$V_{out}=0$	160	200	300	mA
Output Noise 10Hz to 100KHz		$C_L=1\mu\text{F}$	260	280	430	μV
		$C_L=200\mu\text{F}$			160	
		$C_L=3.3\mu\text{F}$			100	
		(Bypass= $0.01\mu\text{F}$ pins 7 to (UTC M2951))				
For M2951 8-Pin version only						
Reference Voltage			1.22	1.235	1.25	V
Reference Voltage		(Note 4)	1.19		1.27	V
Feedback pin Bias Current				20	40	nA
Reference Voltage Temperature Coefficient				50		ppm/ $^{\circ}\text{C}$
Feedback Bias Current temperature Coefficient				0.1		nA/ $^{\circ}\text{C}$
Error Comparator						

UTC UNISONIC TECHNOLOGIES CO., LTD.

4

QW-R102-004,D

UTC M2950/2951 LINEAR INTEGRATED CIRCUIT

PARAMETER	PART NUMBER	TEST CONDITION	MIN.	TYP.	MAX.	UNIT
Output Leakage Current		$V_{OH}=18V$			1	μA
Output Low Voltage		$V_{IN}=4.5V$ $I_{OL}=400\mu A$			250	mV
Upper Threshold Voltage		(Note 3)	3.2			%Vo
Lower Threshold Voltage		(Note 3)			7.6	%Vo
Hysteresis		(Note 3)		15		mV
Shutdown Input						
Input Logic Voltage		Low(Regulator ON) High(Regulator OFF)	2.0	1.3	0.70	V
Shutdown Pin Input Current		$V_{shutdown}=2.4V$		30	50	μA
		$V_{shutdown}=18V$		450	600	μA
Regulator Output Current Shutdown		$V_{shutdown}\geq 2V, V_{IN}\leq 18V,$ $V_{out}=0,$ Feedback pin tied to 5V Tap.		3	10	μA

Note 1: Additional conditions for 8-pin versions are feedback tied to 5V Tap and Output tied to Output Sense ($V_{out}=5V$) and $V_{shutdown}\leq 0.8V$.

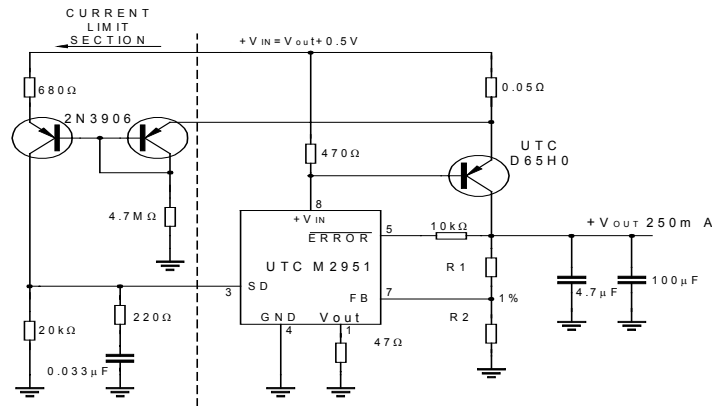
Note 2: Dropout Voltage is defined as the input to output differential at which the output voltage drops 100mV below its nominal value measured at 1V differential.

Note 3: Comparator thresholds are expressed in terms of percentage value of voltage output.

Note 4: $V_{ref}\leq V_{out}\leq (V_{in}-1V)$, $2.3V\leq V_{in}\leq 30V$, $100\mu A\leq I_L\leq 250mA$, $T_J\leq T_{JMAX}$

UTC M2950/2951 LINEAR INTEGRATED CIRCUIT

APPLICATION CIRCUIT (10 Ampere Low Dropout Regulator)



$$V_{out} = 1.23V * (1 + R_1/R_2)$$

For 5V output use internal resistors. Wire pin 6 to 7 and wire pin 2 to +Vout

Fig.2

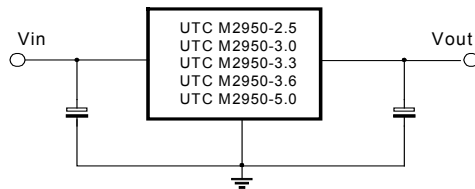
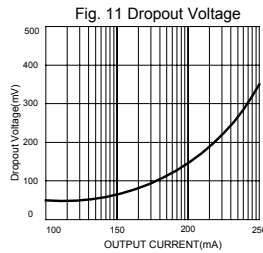
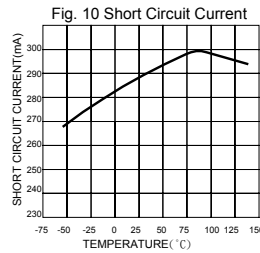
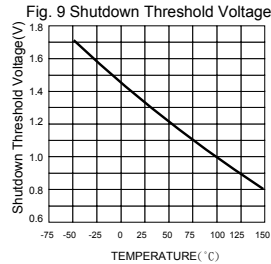
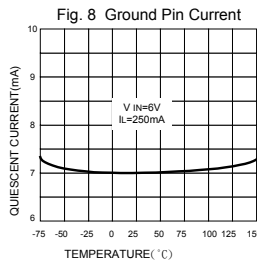
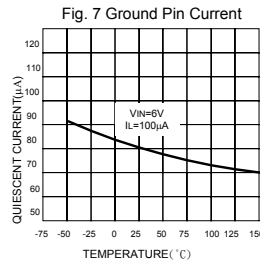
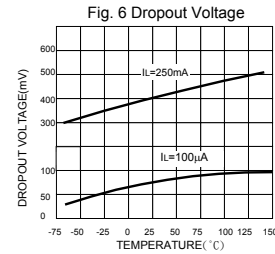
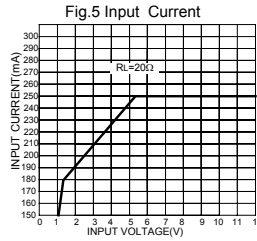
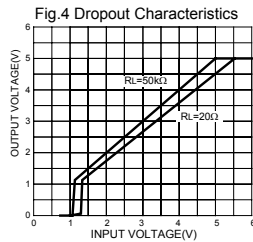


Fig.3

UTC M2950/2951 LINEAR INTEGRATED CIRCUIT

TYPICAL PERFORMANCE CHARACTERISTICS



UTC assumes no responsibility for equipment failures that result from using products at values that exceed, even momentarily, rated values (such as maximum ratings, operating condition ranges, or other parameters) listed in products specifications of any and all UTC products described or contained herein. UTC products are not designed for use in life support appliances, devices or systems where malfunction of these products can be reasonably expected to result in personal injury. Reproduction in whole or in part is prohibited without the prior written consent of the copyright owner. The information presented in this document does not form part of any quotation or contract, is believed to be accurate and reliable and may be changed without notice.