

AD7416/AD7417/AD7418

FEATURES

- 10-Bit ADC with 15 μs and 30 μs Conversion Times
- Single and Four Single-Ended Analog Input Channels
- On-Chip Temperature Sensor: -40°C to $+125^{\circ}\text{C}$
- On-Chip Track-and-Hold
- Overtemperature Indicator
- Automatic Power-Down at the End of a Conversion
- Wide Operating Supply Range: 2.7 V to 5.5 V
- I²C[®] Compatible Serial Interface
- Selectable Serial Bus Address Allows Connection of up to Eight AD7416/AD7417s to a Single Bus
- AD7416 Is a Superior Replacement for LM75

APPLICATIONS

- Data Acquisition with Ambient Temperature Monitoring
- Industrial Process Control
- Automotive
- Battery-Charging Applications
- Personal Computers

GENERAL DESCRIPTION

The AD7417 and AD7418 are 10-bit, 4-channel and single-channel ADCs with an on-chip temperature sensor that can operate from a single 2.7 V to 5.5 V power supply. The devices contain a 15 μs successive approximation converter, a 5-channel multiplexer, a temperature sensor, a clock oscillator, a track-and-hold, and a reference (2.5 V). The AD7416 is a temperature-monitoring only device in an 8-lead package.

The temperature sensor on the parts can be accessed via multiplexer Channel 0. When Channel 0 is selected and a conversion is initiated, the resulting ADC code at the end of the conversion gives a measurement of the ambient temperature ($\pm 1^{\circ}\text{C}$ @ 25°C). On-chip registers can be programmed with high and low temperature limits, and an open-drain overtemperature indicator (OTI) output is provided, which becomes active when a programmed limit is exceeded.

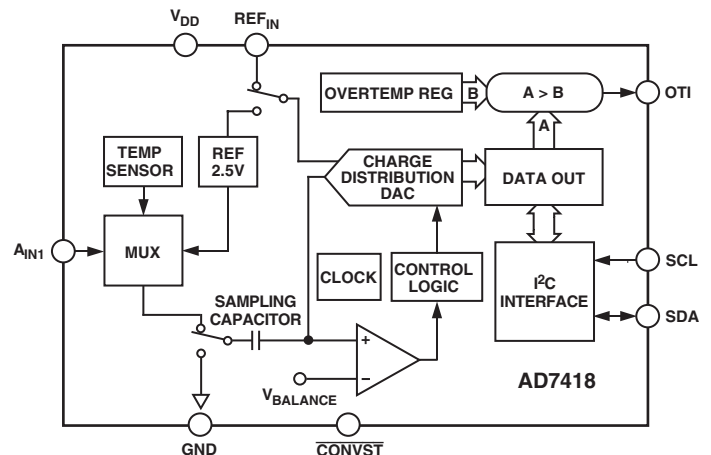
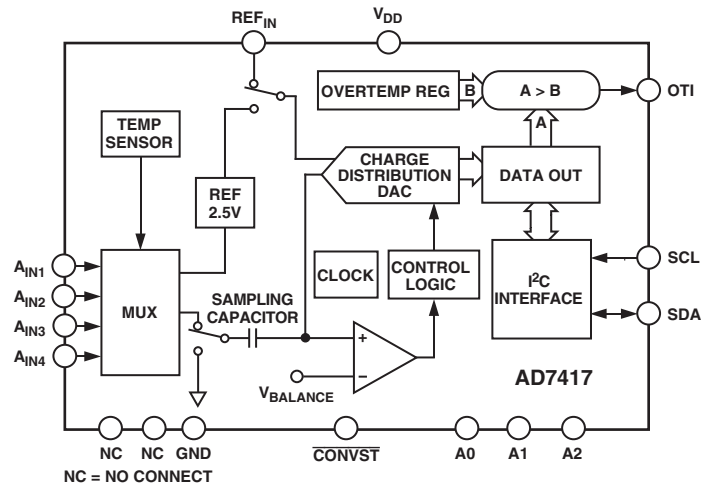
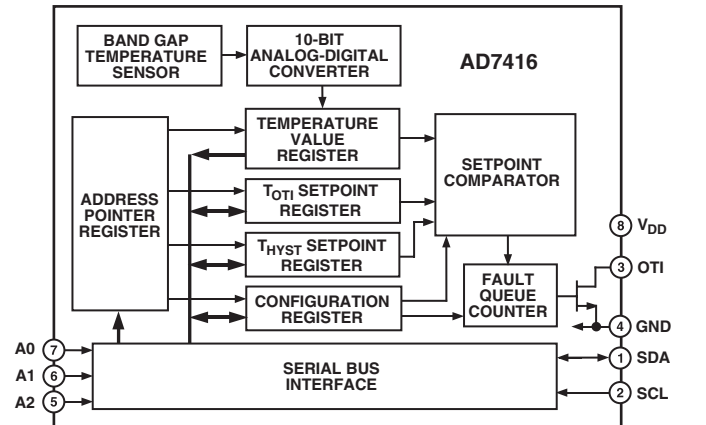
A configuration register allows programming of the sense of the OTI output (active high or active low) and its operating mode (comparator or interrupt). A programmable fault queue counter allows the number of out-of-limit measurements that must occur before triggering the OTI output to be set to prevent spurious triggering of the OTI output in noisy environments.

(continued on page 7)

REV. G

Information furnished by Analog Devices is believed to be accurate and reliable. However, no responsibility is assumed by Analog Devices for its use, nor for any infringements of patents or other rights of third parties that may result from its use. No license is granted by implication or otherwise under any patent or patent rights of Analog Devices. Trademarks and registered trademarks are the property of their respective owners.

FUNCTIONAL BLOCK DIAGRAMS



AD7416/AD7417/AD7418

AD7417/AD7418—SPECIFICATIONS ($V_{DD} = 2.7\text{ V to }5.5\text{ V}$, $GND = 0\text{ V}$, $REF_{IN} = 2.5\text{ V}$, unless otherwise noted.)

Parameter	A Version	B Version ¹	Unit	Test Conditions/Comments
DC ACCURACY				Any Channel.
Resolution	10	10	Bits	
Minimum Resolution for Which No Missing Codes Are Guaranteed	10	10	Bits	
Relative Accuracy ²	±1	±1	LSB max	This Specification Is Typical for V_{DD} of 3.6 V to 5.5 V.
Differential Nonlinearity ²	±1	±1	LSB max	This Specification Is Typical for V_{DD} of 3.6 V to 5.5 V.
Gain Error ²	±3	±3	LSB max	External Reference.
	±10	±10	LSB max	Internal Reference.
Gain Error Match ²	±0.6	±0.6	LSB max	AD7417 Only.
Offset Error ²	±4	±4	LSB max	
Offset Error Match	±0.7	±0.7	LSB max	AD7417 Only.
ANALOG INPUTS				
Input Voltage Range	V_{REF} 0	V_{REF} 0	V max V min	
Input Leakage Current ³	±1	±1	μA max	
Input Capacitance	10	10	pF max	
TEMPERATURE SENSOR¹				
Measurement Error				
Ambient Temperature 25°C	±2	±1	°C max	
T_{MIN} to T_{MAX}	±3	±2	°C max	
Temperature Resolution	1/4	1/4	°C/LSB	
CONVERSION RATE				
Track-and-Hold Acquisition Time ⁴	400	400	ns max	Source Impedance < 10 Ω.
Conversion Time				
Temperature Sensor	30	30	μs max	Typically 27 μs.
Channels 1 to 4	15	15	μs max	Typically 10 μs.
REFERENCE INPUT^{5, 6}				
REF_{IN} Input Voltage Range ⁶	2.625 2.375	2.625 2.375	V max V min	2.5 V + 5%. 2.5 V – 5%.
Input Impedance	40	40	kΩ min	
Input Capacitance	10	10	pF max	
ON-CHIP REFERENCE				Nominal 2.5 V.
Reference Error ⁶	±25	±25	mV max	
Temperature Coefficient ⁶	80	80	ppm/°C typ	
DIGITAL INPUTS				
Input High Voltage, V_{IH}	$V_{DD} \times 0.7$	$V_{DD} \times 0.7$	V min	
Input Low Voltage, V_{IL}	$V_{DD} \times 0.3$	$V_{DD} \times 0.3$	V max	
Input Leakage Current	1	1	μA max	
DIGITAL OUTPUTS				
Output Low Voltage, V_{OL}	0.4	0.4	V max	$I_{OL} = 3\text{ mA}$.
Output High Current	1	1	μA max	$V_{OH} = 5\text{ V}$.
POWER REQUIREMENTS				
V_{DD}	5.5 2.7	5.5 2.7	V max V min	For Specified Performance.
I_{DD}				Logic Inputs = 0 V or V_{DD} .
Normal Operation	600	600	μA max	
Power-Down	1	1	μA max	50 nA Typically.
Auto Power-Down Mode				$V_{DD} = 3\text{ V}$. See Operating Modes.
10 SPS Throughput Rate	6	6	μW typ	
1 kSPS Throughput Rate	60	60	μW typ	
10 kSPS Throughput Rate	600	600	μW typ	
Power-Down	3	3	μW max	Typically 0.15 μW.

NOTES

¹B Version applies to AD7417 only with temperature range of -40°C to $+85^{\circ}\text{C}$. A Version temperature range is -40°C to $+125^{\circ}\text{C}$. For $V_{\text{DD}} = 2.7\text{ V}$, $T_{\text{A}} = 85^{\circ}\text{C}$ max and temperature sensor measurement error = $\pm 3^{\circ}\text{C}$.

²See Terminology.

³Refers to the input current when the part is not converting. Primarily due to reverse leakage current in the ESD protection diodes.

⁴Sample tested during initial release and after any redesign or process change that may affect this parameter.

⁵On-chip reference shuts down when external reference is applied.

⁶The accuracy of the temperature sensor is affected by reference tolerance. The relationship between the two is explained in the Temperature Sensor section.

Specifications subject to change without notice.

AD7416—SPECIFICATIONS ($V_{\text{DD}} = 2.7\text{ V}$ to 5.5 V , $\text{GND} = 0\text{ V}$, $\text{REF}_{\text{IN}} = 2.5\text{ V}$, unless otherwise noted.)

Parameter	Min	Typ	Max	Unit	Test Conditions/Comments
TEMPERATURE SENSOR AND ADC					
Accuracy			± 2.0	$^{\circ}\text{C}$	$T_{\text{A}} = -25^{\circ}\text{C}$ to $+100^{\circ}\text{C}$ ($V_{\text{DD}} = 3\text{ V min}$) ¹
			± 3.0	$^{\circ}\text{C}$	$T_{\text{A}} = -40^{\circ}\text{C}$ to $+125^{\circ}\text{C}$ ($V_{\text{DD}} = 3\text{ V min}$) ¹
Resolution		10		Bits	
Temperature Conversion Time			40	μs	
Update Rate, t_{R}		400		μs	
OTI Delay	$1 \times t_{\text{R}}$		$6 \times t_{\text{R}}$	ms	Depends on Fault Queue Setting
Supply Current			1.0	mA	I ² C Active
		350	600	μA	I ² C Inactive
		0.2	1.5	μA	Shutdown Mode
T_{OTI} Default Temperature		80		$^{\circ}\text{C}$	
T_{HYST} Default Temperature		75		$^{\circ}\text{C}$	
DIGITAL INPUTS					
Input High Voltage, V_{IH}	$V_{\text{DD}} \times 0.7$		$V_{\text{DD}} + 0.5$	V	
Input Low Voltage, V_{IL}	-0.3		$V_{\text{DD}} \times 0.3$	V	
Input High Current, I_{IH}		+0.005	+1.0	μA	$V_{\text{IN}} = 5\text{ V}$
Input Low Current, I_{IL}		-0.005	-1.0	μA	$V_{\text{IN}} = 0\text{ V}$
Input Capacitance, C_{IN}		20		pF	All Digital Inputs
DIGITAL OUTPUTS					
Output Low Voltage, V_{OL}			0.4	V	$I_{\text{OL}} = 3\text{ mA}$
Output High Current			1	μA	$V_{\text{OH}} = 5\text{ V}$
Output Fall Time, t_{f}			250	ns	$C_{\text{L}} = 400\text{ pF}$, $I_{\text{O}} = 3\text{ mA}$
OS Output Low Voltage, V_{OL}			0.8	V	$I_{\text{OUT}} = 4\text{ mA}$
AC ELECTRICAL CHARACTERISTICS²					
Serial Clock Period, t_1	2.5			μs	AD7416/AD7417/AD7418 See Figure 1
Data In Setup Time to SCL High, t_2	50			ns	See Figure 1
Data Out Stable after SCL Low, t_3	0			ns	See Figure 1
SDA Low Setup Time to SCL Low (Start Condition), t_4	50			ns	See Figure 1
SDA High Hold Time after SCL High (Stop Condition), t_5	50			ns	See Figure 1
SDA and SCL Fall Time, t_6			300	ns	See Figure 1

NOTES

¹For $V_{\text{DD}} = 2.7\text{ V}$ to 3 V , $T_{\text{A}} \text{ max} = 85^{\circ}\text{C}$ and accuracy = $\pm 3^{\circ}\text{C}$.

²Sample tested during initial release and after any redesign or process change that may affect this parameter.

Specifications subject to change without notice.

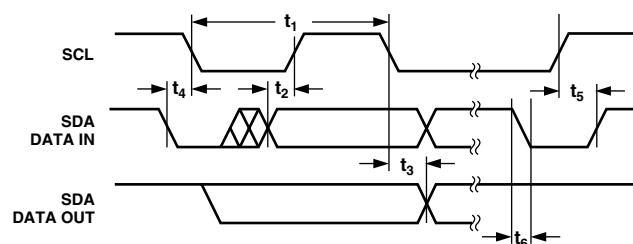


Figure 1. Diagram for Serial Bus Timing

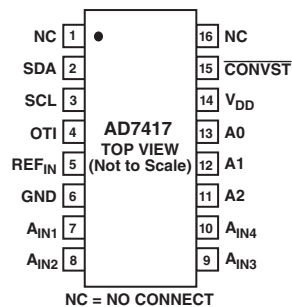
AD7416/AD7417/AD7418

AD7417 PIN FUNCTION DESCRIPTION

Pin No.	Mnemonic	Description
1, 16	NC	No Connection. Do not connect anything to this pin.
2	SDA	Digital I/O. Serial bus bidirectional data. Push-pull output.
3	SCL	Digital Input. Serial bus clock.
4	OTI	This is a logic output. The overtemperature indicator (OTI) is set if the result of a conversion on Channel 0 (temperature sensor) is greater than an 8-bit word in the overtemperature register (OTR). The signal is reset at the end of a serial read operation. Open-drain output.
5	REF _{IN}	Reference Input. An external 2.5 V reference can be connected to the AD7417 at this pin. To enable the on-chip reference, the REF _{IN} pin should be tied to GND. If an external reference is connected to the AD7417, the internal reference will shut down.
6	GND	Ground reference for track-and-hold, comparator and capacitor DAC, and digital circuitry.
7–10	A _{IN1} to A _{IN4}	Analog Input Channels. The AD7417 has four analog input channels. The input channels are single-ended with respect to GND. The input channels can convert voltage signals in the range 0 V to V _{REF} . A channel is selected by writing to the configuration register of the AD7417. (See Control Byte section.)
11	A2	Digital Input. The highest programmable bit of the serial bus address.
12	A1	Digital Input. The middle programmable bit of the serial bus address.
13	A0	Digital Input. The lowest programmable bit of the serial bus address.
14	V _{DD}	Positive Supply Voltage, 2.7 V to 5.5 V.
15	$\overline{\text{CONVST}}$	Logic Input Signal. Convert start signal. The rising edge of this signal fully powers up the part. The power-up time for the part is 4 μs . If the $\overline{\text{CONVST}}$ pulse is greater than 4 μs , the falling edge of $\overline{\text{CONVST}}$ places the track-and-hold mode into hold mode and initiates a conversion. If the pulse is less than 4 μs , an internal timer ensures that the track-and-hold does not go into hold and conversion is not initiated until the power-up time has elapsed. The track-and-hold goes into track mode again at the end of conversion. (See Operating Mode section.)

AD7417 PIN CONFIGURATION

SOIC/TSSOP



AD7416/AD7417/AD7418

AD7416 PIN FUNCTION DESCRIPTION

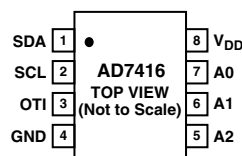
Pin No.	Mnemonic	Description
1	SDA	Digital I/O. Serial bus bidirectional data. Push-pull output.
2	SCL	Digital Input. Serial bus clock.
3	OTI	This is a logic output. The OTI is set if the result of a conversion on Channel 0 (temperature sensor) is greater than an 8-bit word in the OTR. The signal is reset at the end of a serial read operation. Open-drain output.
4	GND	Ground reference for track-and-hold, comparator and capacitor DAC, and digital circuitry.
5	A2	Digital Input. The highest programmable bit of the serial bus address.
6	A1	Digital Input. The middle programmable bit of the serial bus address.
7	A0	Digital Input. The lowest programmable bit of the serial bus address.
8	V _{DD}	Positive Supply Voltage, 2.7 V to 5.5 V.

AD7418 PIN FUNCTION DESCRIPTION

Pin No.	Mnemonic	Description
1	SDA	Digital I/O. Serial bus bidirectional data. Push-pull output.
2	SCL	Digital Input. Serial bus clock.
3	OTI	This is a logic output. The OTI is set if the result of a conversion on Channel 0 (temperature sensor) is greater than an 8-bit word in the OTR. The signal is reset at the end of a serial read operation. Open-drain output.
4	GND	Ground reference for track-and-hold, comparator and capacitor DAC, and digital circuitry.
5	A _{IN}	Analog Input Channel. The input channel is single-ended with respect to GND. The input channel can convert voltage signals in the range 0 V to V _{REF} . The analog input channel is selected by writing to the configuration register of the AD7418 and choosing Channel 4. (See Control Byte section.)
6	REF _{IN}	Reference Input. An external 2.5 V reference can be connected to the AD7418 at this pin. To enable the on-chip reference, the REF _{IN} pin should be tied to GND. If an external reference is connected to the AD7418, the internal reference will shut down.
7	V _{DD}	Positive Supply Voltage, 2.7 V to 5.5 V.
8	CONVST	Logic Input Signal. Convert start signal. The rising edge of this signal fully powers up the part. The power-up time for the part is 4 μs. If the CONVST pulse is greater than 4 μs, the falling edge of CONVST places the track-and-hold mode into hold mode and initiates a conversion. If the pulse is less than 4 μs, an internal timer ensures that the track-and-hold does not go into hold and conversion is not initiated until the power-up time has elapsed. The track-and-hold goes into track mode again at the end of conversion. (See Operating Mode section.)

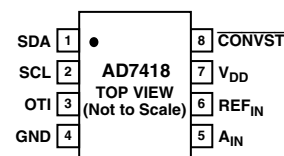
AD7416 PIN CONFIGURATION

SOIC/MSOP



AD7418 PIN CONFIGURATION

SOIC/MSOP



AD7416/AD7417/AD7418

ABSOLUTE MAXIMUM RATINGS¹

($T_A = 25^\circ\text{C}$, unless otherwise noted.)

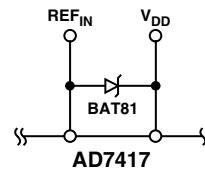
V_{DD} to AGND	-0.3 V to +7 V
V_{DD} to DGND	-0.3 V to +7 V
Analog Input Voltage to AGND		
A_{IN1} to A_{IN4}	-0.3 V to $V_{DD} + 0.3$ V
Reference Input Voltage to AGND ²	..	-0.3 V to $V_{DD} + 0.3$ V
Digital Input Voltage to DGND	-0.3 V to $V_{DD} + 0.3$ V
Digital Output Voltage to DGND	-0.3 V to $V_{DD} + 0.3$ V
Operating Temperature Range		
A Version	-40°C to $+125^\circ\text{C}$
B Version	-40°C to $+85^\circ\text{C}$
Storage Temperature Range		
Junction Temperature	150°C
TSSOP, Power Dissipation		
θ_{JA} Thermal Impedance	$120^\circ\text{C}/\text{W}$
Lead Temperature, Soldering	260°C
Vapor Phase (60 sec)	215°C
Infrared (15 sec)	220°C
16-Lead SOIC Package, Power Dissipation		
θ_{JA} Thermal Impedance	$100^\circ\text{C}/\text{W}$
Lead Temperature, Soldering		
Vapor Phase (60 sec)	215°C
Infrared (15 sec)	220°C

8-Lead SOIC Package, Power Dissipation	450 mW
θ_{JA} Thermal Impedance	$157^\circ\text{C}/\text{W}$
Lead Temperature, Soldering		
Vapor Phase (60 sec)	215°C
Infrared (15 sec)	220°C
MSOP Package, Power Dissipation		
θ_{JA} Thermal Impedance	$206^\circ\text{C}/\text{W}$
Lead Temperature, Soldering		
Vapor Phase (60 sec)	215°C
Infrared (15 sec)	220°C

NOTES

¹ Stresses above those listed under Absolute Maximum Ratings may cause permanent damage to the device. This is a stress rating only; functional operation of the device at these or any other conditions above those listed in the operational sections of this specification is not implied. Exposure to absolute maximum rating conditions for extended periods may affect device reliability.

² If the reference input voltage is likely to exceed V_{DD} by more than 0.3 V (e.g., during power-up) and the reference is capable of supplying 30 mA or more, it is recommended to use a clamping diode between the REF_{IN} pin and V_{DD} pin. The diagram below shows how the diode should be connected.



CAUTION

ESD (electrostatic discharge) sensitive device. Electrostatic charges as high as 4000 V readily accumulate on the human body and test equipment and can discharge without detection. Although the AD7416/AD7417/AD7418 features proprietary ESD protection circuitry, permanent damage may occur on devices subjected to high energy electrostatic discharges. Therefore, proper ESD precautions are recommended to avoid performance degradation or loss of functionality.



ORDERING GUIDE

Model	Temperature Range	Temperature Error	Package Description	Branding	Package Option
AD7416ACHIPS			Die		
AD7416AR	-40°C to +125°C	±2°C	8-Lead Standard Small Outline Package (SOIC)		RN-8
AD7416AR-REEL	-40°C to +125°C	±2°C	8-Lead Standard Small Outline Package (SOIC)		RN-8
AD7416AR-REEL7	-40°C to +125°C	±2°C	8-Lead Standard Small Outline Package (SOIC)		RN-8
AD7416ARZ*	-40°C to +125°C	±2°C	8-Lead Standard Small Outline Package (SOIC)		RN-8
AD7416ARZ-REEL*	-40°C to +125°C	±2°C	8-Lead Standard Small Outline Package (SOIC)		RN-8
AD7416ARZ-REEL7*	-40°C to +125°C	±2°C	8-Lead Standard Small Outline Package (SOIC)		RN-8
AD7416ARM	-40°C to +125°C	±2°C	8-Lead Micro Small Outline Package (MSOP)	C6A	RM-8
AD7416ARM-REEL	-40°C to +125°C	±2°C	8-Lead Micro Small Outline Package (MSOP)	C6A	RM-8
AD7416ARM-REEL7	-40°C to +125°C	±2°C	8-Lead Micro Small Outline Package (MSOP)	C6A	RM-8
AD7416ARMZ*	-40°C to +125°C	±2°C	8-Lead Micro Small Outline Package (MSOP)	C6A	RM-8
AD7416ARMZ-REEL*	-40°C to +125°C	±2°C	8-Lead Micro Small Outline Package (MSOP)	C6A	RM-8
AD7416ARMZ-REEL7*	-40°C to +125°C	±2°C	8-Lead Micro Small Outline Package (MSOP)	C6A	RM-8
AD7417ACHIPS			Die		
AD7417AR	-40°C to +125°C	±2°C	16-Lead Standard Small Outline Package (SOIC)		RN-16
AD7417AR-REEL	-40°C to +125°C	±2°C	16-Lead Standard Small Outline Package (SOIC)		RN-16
AD7417AR-REEL7	-40°C to +125°C	±2°C	16-Lead Standard Small Outline Package (SOIC)		RN-16
AD7417ARU	-40°C to +125°C	±2°C	16-Lead Thin Shrink Small Outline Package (TSSOP)		RU-16
AD7417ARU-REEL	-40°C to +125°C	±2°C	16-Lead Thin Shrink Small Outline Package (TSSOP)		RU-16
AD7417ARU-REEL7	-40°C to +125°C	±2°C	16-Lead Thin Shrink Small Outline Package (TSSOP)		RU-16
AD7417BR	-40°C to +85°C	±1°C	16-Lead Standard Small Outline Package (SOIC)		RN-16
AD7417BR-REEL	-40°C to +85°C	±1°C	16-Lead Standard Small Outline Package (SOIC)		RN-16
AD7417BR-REEL7	-40°C to +85°C	±1°C	16-Lead Standard Small Outline Package (SOIC)		RN-16
AD7418ACHIPS			Die		
AD7418AR	-40°C to +125°C	±2°C	8-Lead Standard Small Outline Package (SOIC)		RN-8
AD7418AR-REEL	-40°C to +125°C	±2°C	8-Lead Standard Small Outline Package (SOIC)		RN-8
AD7418AR-REEL7	-40°C to +125°C	±2°C	8-Lead Standard Small Outline Package (SOIC)		RN-8
AD7418ARM	-40°C to +125°C	±2°C	8-Lead Micro Small Outline Package (MSOP)	C7A	RM-8
AD7418ARM-REEL	-40°C to +125°C	±2°C	8-Lead Micro Small Outline Package (MSOP)	C7A	RM-8
AD7418ARM-REEL7	-40°C to +125°C	±2°C	8-Lead Micro Small Outline Package (MSOP)	C7A	RM-8
AD7418ARUZ*	-40°C to +125°C	±2°C	16-Lead Thin Shrink Small Outline Package (TSSOP)		RU-16
AD7418ARUZ-REEL*	-40°C to +125°C	±2°C	16-Lead Thin Shrink Small Outline Package (TSSOP)		RU-16
AD7418ARUZ-REEL7*	-40°C to +125°C	±2°C	16-Lead Thin Shrink Small Outline Package (TSSOP)		RU-16
EVAL-AD7416/AD7417/ AD7418EB			Evaluation Board		

*Pb-Free Part

AD7416/AD7417/AD7418

(continued from page 1)

An I²C compatible serial interface allows the AD7416/AD7417/AD7418 registers to be written to and read back. The three LSBs of the AD7416/AD7417's serial bus address can be selected, which allows up to eight AD7416/AD7417s to be connected to a single bus.

The AD7417 is available in a narrow body, 0.15", 16-lead, small outline IC (SOIC) and in a 16-lead, thin shrink, small outline package (TSSOP). The AD7416 and AD7418 are available in 8-lead SOIC and MSOP packages.

PRODUCT HIGHLIGHTS

1. The AD7416/AD7417/AD7418 have an on-chip temperature sensor that allows an accurate measurement of the ambient temperature ($\pm 1^\circ\text{C}$ @ 25°C , $\pm 2^\circ\text{C}$ overtemperature) to be made. The measurable temperature range is -40°C to $+125^\circ\text{C}$. An overtemperature indicator is implemented by carrying out a digital comparison of the ADC code for Channel 0 (temperature sensor) with the contents of the on-chip overtemperature register.
2. The AD7417 offers a space-saving 10-bit A/D solution with four external voltage input channels, an on-chip temperature sensor, an on-chip reference, and clock oscillator.
3. The automatic power-down feature enables the AD7416/AD7417/AD7418 to achieve superior power performance. At slower throughput rates, the part can be programmed to operate in a low power shutdown mode, allowing further savings in power consumption.

TERMINOLOGY

Relative Accuracy

Relative accuracy or endpoint nonlinearity is the maximum deviation from a straight line passing through the endpoints of the ADC transfer function.

Differential Nonlinearity

This is the difference between the measured and the ideal 1 LSB change between any two adjacent codes in the ADC.

Offset Error

This is the deviation of the first code transition (0000 . . . 000) to (0000 . . . 001) from the ideal, i.e., $\text{GND} + 1 \text{ LSB}$.

Offset Error Match

This is the difference in offset error between any two channels.

Gain Error

This is the deviation of the last code transition (1111 . . . 110) to (1111 . . . 111) from the ideal, i.e., $\text{VREF} - 1 \text{ LSB}$, after the offset error has been adjusted out.

Gain Error Match

This is the difference in gain error between any two channels.

Track-and-Hold Acquisition Time

Track-and-hold acquisition time is the time required for the output of the track-and-hold amplifier to reach its final value, within $\pm 1/2 \text{ LSB}$, after the end of conversion (the point at which the track-and-hold returns to track mode). It also applies to

situations where a change in the selected input channel takes place or where there is a step input change on the input voltage applied to the selected A_{IN} input of the AD7417 or AD7418. It means that the user must wait for the duration of the track-and-hold acquisition time after the end of conversion or after a channel change/step input change to A_{IN} before starting another conversion, to ensure that the part operates to specification.

CIRCUIT INFORMATION

The AD7417 and AD7418 are single-channel and four-channel, 15 μs conversion time, 10-bit ADCs with on-chip temperature sensor, reference, and serial interface logic functions on a single chip. The AD7416 has no analog input channel and is intended for temperature measurement only. The ADC section consists of a conventional successive approximation converter based around a capacitor DAC. The AD7416, AD7417, and AD7418 are capable of running on a 2.7 V to 5.5 V power supply, and the AD7417 and AD7418 accept an analog input range of 0 V to $+\text{VREF}$. The on-chip temperature sensor allows an accurate measurement of the ambient device temperature to be made. The working measurement range of the temperature sensor is -40°C to $+125^\circ\text{C}$. The parts require a 2.5 V reference that can be provided from the part's own internal reference or from an external reference source.

CONVERTER DETAILS

Conversion is initiated on the AD7417/AD7418 by pulsing the $\overline{\text{CONVST}}$ input. The conversion clock for the part is internally generated so no external clock is required except when reading from and writing to the serial port. The on-chip track-and-hold goes from track to hold mode and the conversion sequence is started on the falling edge of the $\overline{\text{CONVST}}$ signal. A conversion is also initiated in the automatic conversion mode every time a read or write operation to the AD7416/AD7417/AD7418 takes place. In this case, the internal clock oscillator (which runs the automatic conversion sequence) is restarted at the end of the read or write operation. The track-and-hold goes into hold approximately 3 μs after the read or write operation is complete and a conversion is then initiated. The result of the conversion is available either 15 μs or 30 μs later, depending on whether an analog input channel or the temperature sensor is selected. The track-and-hold acquisition time of the AD7417/AD7418 is 400 ns.

A temperature measurement is made by selecting the Channel 0 of the on-chip mux and carrying out a conversion on this channel. A conversion on Channel 0 takes 30 μs to complete. Temperature measurement is explained in the Temperature Measurement section of this data sheet.

The on-chip reference is not available to the user, but REF_{IN} can be overdriven by an external reference source (2.5 V only).

All unused analog inputs should be tied to a voltage within the nominal analog input range to avoid noise pickup. For minimum power consumption, the unused analog inputs should be tied to GND.

TYPICAL CONNECTION DIAGRAM

Figure 2 shows a typical connection diagram for the AD7417. Using the A0, A1, and A2 pins allows the user to select from up to eight AD7417s on the same serial bus, if desired. An external 2.5 V reference can be connected at the REF_{IN} pin. If an external reference is used, a 10 μF capacitor should be connected between REF_{IN} and GND. SDA and SCL form the 2-wire I²C compatible interface. For applications where power consumption is of concern, the automatic power-down at the end of a conversion should be used to improve power performance. See Operating Modes section of this data sheet.

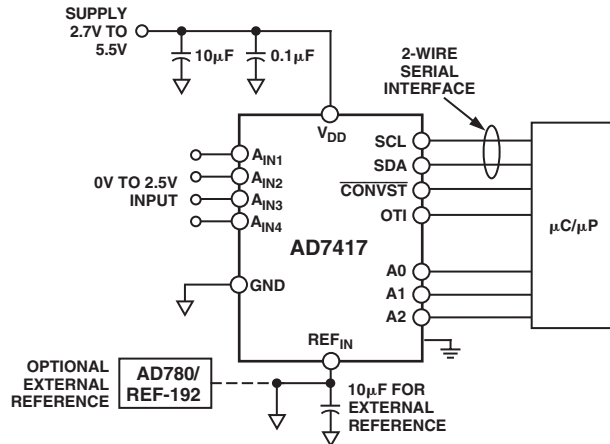


Figure 2. Typical Connection Diagram

ANALOG INPUTS

Figure 3 shows an equivalent circuit of the analog input structure of the AD7417 and AD7418. The two diodes, D1 and D2, provide ESD protection for the analog inputs. Care must be taken to ensure that the analog input signal never exceeds the supply rails by more than 200 mV. This will cause these diodes to become forward-biased and start conducting current into the substrate. The maximum current these diodes can conduct without causing irreversible damage to the part is 20 mA. The capacitor C2 in Figure 3 is typically about 4 pF and can primarily be attributed to pin capacitance. The resistor R1 is a lumped component made up of the on resistance of a multiplexer and a switch. This resistor is typically about 1 kΩ. The capacitor C1 is the ADC sampling capacitor and has a capacitance of 3 pF.

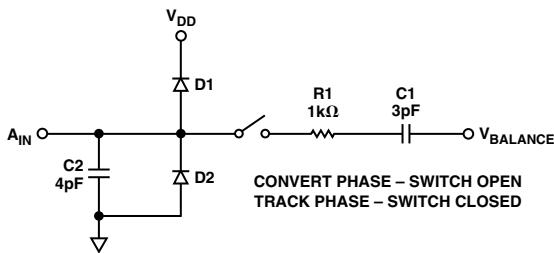


Figure 3. Equivalent Analog Input Circuit

ON-CHIP REFERENCE

The AD7416/AD7417/AD7418 has an on-chip 1.2 V band gap reference that is gained up by a switched capacitor amplifier to give an output of 2.5 V. The amplifier is only powered up at the

start of the conversion phase and is powered down at the end of the conversion. The on-chip reference is selected by connecting the REF_{IN} pin to analog ground. This causes SW1 (see Figure 4) to open and the reference amplifier to power up during a conversion. Therefore, the on-chip reference is not available externally. An external 2.5 V reference can be connected to the REF_{IN} pin. This has the effect of shutting down the on-chip reference circuitry.

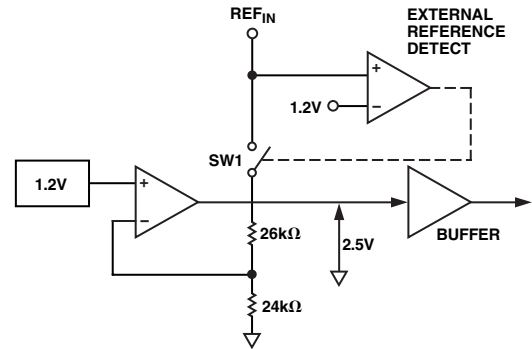


Figure 4. On-Chip Reference

TEMPERATURE MEASUREMENT

A common method of measuring temperature is to exploit the negative temperature coefficient of a diode, or the base-emitter voltage of a transistor, operated at a constant current. Unfortunately, this technique requires calibration to null out the effect of the absolute value of V_{BE} , which varies from device to device. The technique used in the AD7416/AD7417/AD7418 is to measure the current change in V_{BE} when the device is operated at two different currents.

This is given by

$$\Delta V_{BE} = KT / q \times \ln(N)$$

where:

K is Boltzmann's constant.

q is the charge on the electron (1.6×10^{-19} Coulombs).

T is the absolute temperature in Kelvins.

N is the ratio of the two currents.

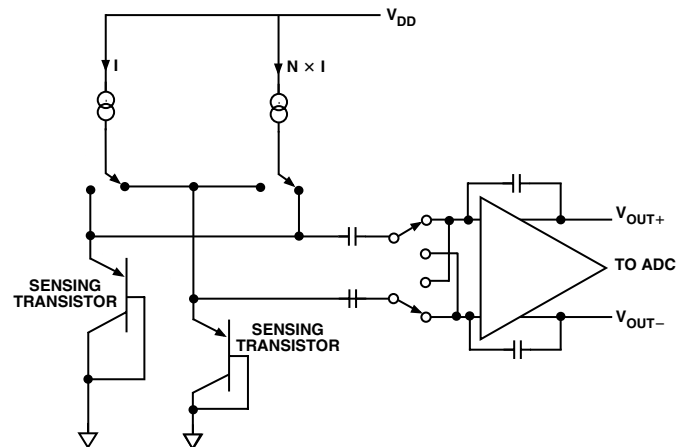


Figure 5. Temperature Measurement Technique

AD7416/AD7417/AD7418

Figure 5 shows the method the AD7416/AD7417/AD7418 uses to measure the device temperature. To measure ΔV_{BE} , the sensor (substrate transistor) is switched between operating currents of I and N × I. The resulting waveform is passed through a chopper-stabilized amplifier that performs the functions of amplification and rectification of the waveform to produce a dc voltage proportional to ΔV_{BE} .

This voltage is measured by the ADC to give a temperature output in 10-bit twos complement form.

The temperature resolution of the ADC is 0.25°C, which corresponds to 1 LSB of the ADC. The ADC can theoretically measure a temperature span of 255°C; the guaranteed temperature range is -40°C to +125°C. The result of the conversion is stored in the Temperature Value Register (00h) as a 16-bit word. The 10 MSBs of this word store the temperature measurement (see Table III and Table IV).

The temperature conversion formula using the 10 MSBs of the Temperature Value Register is

1. *Positive Temperature* = $ADC\ Code/4$
2. *Negative Temperature* = $(ADC\ Code^* - 512)/4$

*MSB is removed from the *ADC Code*.

INTERNAL REGISTER STRUCTURE

The AD7417/AD7418 has seven internal registers, as shown in Figure 6. Six of these are data registers and one is an Address Pointer Register. The AD7416 has five internal registers (the ADC and Config2 Registers are not applicable to the AD7416).

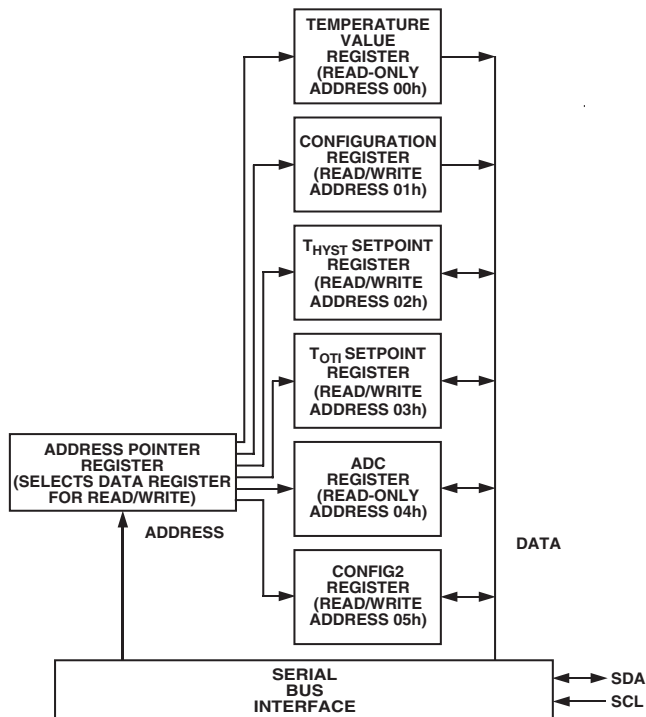


Figure 6. AD7417/AD7418 Register Structure

ADDRESS POINTER REGISTER

The Address Pointer Register is an 8-bit register that stores an address that points to one of the six data registers. The first data byte of every serial write operation to the AD7416/AD7417/AD7418 is the address of one of the data registers, which is stored in the Address Pointer Register, and selects the data register to which subsequent data bytes are written. Only the three LSBs of this register are used to select a data register.

Table I. Address Pointer Register

P7*	P6*	P5*	P4*	P3*	P2	P1	P0
0	0	0	0	0	Register Select		

*P3 to P7 must be set to 0.

Table II. Register Addresses

P2	P1	P0	Registers
0	0	0	Temperature Value (Read-Only)
0	0	1	Config Register (Read/Write)
0	1	0	T _{HYST} (Read/Write)
0	1	1	T _{OTI}
1	0	0	ADC (AD7417/AD7418 Only)
1	0	1	Config2 (AD7417/AD7418 Only)

TEMPERATURE VALUE REGISTER (ADDRESS 00h)

The Temperature Value Register is a 16-bit, read-only register whose 10 MSBs store the temperature reading from the ADC in 10-bit twos complement format. Bits 5 to 0 are unused.

Table III. Temperature Value Register

D15	D14	D13	D12	D11	D10	D9	D8	D7	D6
MSB	B8	B7	B6	B5	B4	B3	B2	B1	LSB

The temperature data format is shown in Table IV. This shows the full theoretical range of the ADC from -128°C to +127°C, but in practice, the temperature measurement range is limited to the operating temperature range of the device.

Table IV. Temperature Data Format

Temperature	Digital Output
-128°C	10 0000 0000
-125°C	10 0000 1100
-100°C	10 0111 0000
-75°C	10 1101 0100
-50°C	11 0011 1000
-25°C	11 1001 1100
-0.25°C	11 1111 1111
0°C	00 0000 0000
+0.25°C	00 0000 0001
+10°C	00 0010 1000
+25°C	00 0110 0100
+50°C	00 1100 1000
+75°C	01 0010 1100
+100°C	01 1001 0000
+125°C	01 1111 0100
+127°C	01 1111 1100

CONFIGURATION REGISTER (ADDRESS 01h)

The Configuration Register is an 8-bit, read/write register that is used to set the operating modes of the AD7416/AD7417/AD7418. Bits D7 to D5 control the channel selection as outlined in Table VI. These bits should always be 0, 0, 0 for the AD7416. Bits D4 and D3 are used to set the length of the fault queue. D2 sets the sense of the OTI output. D1 selects the comparator or interrupt mode of operation, and D0 = 1 selects the shutdown mode (Default D0 = 0).

Table V. Configuration Register

D7	D6	D5	D4	D3	D2	D1	D0
Channel Selection			Fault Queue		OTI Polarity	Cmp/Int	Shut-down

The AD7416 contains a temperature-only channel, the AD7417 has four analog input channels and a temperature channel, and the AD7418 has two channels, a temperature channel, and an analog input channel. The temperature channel address for all parts is the same, CH0. The address for the analog input channel on the AD7418 is CH4. Table VI outlines the channel selection on the parts, while Table VII shows the fault queue settings. D1 and D2 are explained in the OTI Output section.

Table VI. Channel Selection

D7	D6	D5	Channel Selection
0	0	0	Temperature Sensor (All Parts)
0	0	1	A _{IN1} (AD7417 Only)
0	1	0	A _{IN2} (AD7417 Only)
0	1	1	A _{IN3} (AD7417 Only)
1	0	0	A _{IN4} (AD7417) and A _{IN} (AD7418)

Table VII. Fault Queue Settings

D4	D3	Number of Faults
0	0	1 (Power-Up Default)
0	1	2
1	0	4
1	1	6

T_{HYST} SETPOINT REGISTER (ADDRESS 02h)

The T_{HYST} Setpoint Register is a 16-bit, read/write register whose nine MSBs store the T_{HYST} setpoint in twos complement format equivalent to the nine MSBs of the Temperature Value Register. Bits 6 to 0 are unused.

T_{OTI} SETPOINT REGISTER (ADDRESS 03h)

The T_{OTI} Setpoint Register is a 16-bit, read/write register whose nine MSBs store the T_{OTI} setpoint in twos complement format equivalent to the nine MSBs of the Temperature Value Register. Bits 6 to 0 are unused.

Table VIII. Setpoint Registers

D15	D14	D13	D12	D11	D10	D9	D8	D7
MSB	B7	B6	B5	B4	B3	B2	B1	LSB

ADC VALUE REGISTER (ADDRESS 04h)

The ADC Value Register is a 16-bit, read-only register whose 10 MSBs store the value produced by the ADC in binary format. Bits 5 to 0 are unused. Table IX shows the ADC Value Register with 10 MSBs containing the ADC conversion request.

Table IX. ADC Value Register

D15	D14	D13	D12	D11	D10	D9	D8	D7	D6
MSB	B8	B7	B6	B5	B4	B3	B2	B1	LSB

ADC Transfer Function

The designed code transitions occur at successive integer LSB values (i.e., 1 LSB, 2 LSB, and so on). The LSB size = V_{REF}/1024. The ideal transfer function characteristic for the AD7417 and AD7418 ADC is shown in Figure 7.

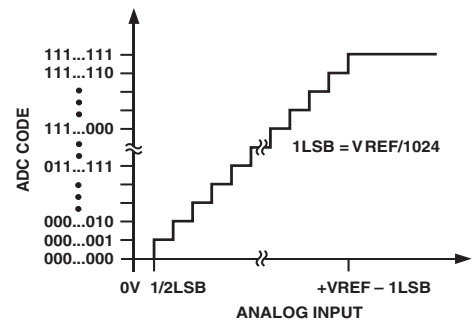


Figure 7. Ideal Transfer Function Characteristic for the AD7417/AD7418

CONFIG2 REGISTER (ADDRESS 05h)

A second configuration register is included in the AD7417/AD7418 for the functionality of the CONVST pin. It is an 8-bit register with Bits D5 to D0 being left at 0. Bit D7 determines whether the AD7417/AD7418 should be operated in its default mode (D7 = 0), performing conversions every 355 μs or in its CONVST pin mode (D7 = 1), where conversions will start only when the CONVST pin is used. Bit 6 contains the Test 1 Bit. When this bit is 0, the I²C filters are enabled (default). A 1 disables the filters.

Table X. CONFIG2 Register

D7	D6	D5	D4	D3	D2	D1	D0
Conversion Mode	Test 1	0	0	0	0	0	0

SERIAL BUS INTERFACE

Control of the AD7416/AD7417/AD7418 is carried out via the I²C compatible serial bus. The AD7416/AD7417/AD7418 is connected to this bus as a slave device, under the control of a master device, e.g., the processor.

SERIAL BUS ADDRESS

As with all I²C compatible devices, the AD7416/AD7417/AD7418 have a 7-bit serial address. The four MSBs of this address for the AD7416 are set to 1001; the AD7417 are set to 0101, while the three LSBs can be set by the user by connecting the A2 to A0 pins to either V_{DD} or GND. By giving them different addresses, up to eight AD7416/AD7417s can be connected to a single serial bus,

AD7416/AD7417/AD7418

or the addresses can be set to avoid conflicts with other devices on the bus. The four MSBs of this address for the AD7418 are set to 0101, while the three LSBs are all set to zero.

If a serial communication occurs during a conversion operation, the conversion will stop and will restart after the communication.

The serial bus protocol operates as follows:

1. The master initiates data transfer by establishing a start condition, defined as a high-to-low transition on the serial data line, SDA, while the serial clock line, SCL, remains high. This indicates that an address/data stream will follow. All slave peripherals connected to the serial bus respond to the 7-bit address (MSB first) plus an R/W bit, which determines the direction of the data transfer, i.e., whether data will be written to or read from the slave device.
The peripheral whose address corresponds to the transmitted address responds by pulling the data line low during the low period before the ninth clock pulse, known as the Acknowledge bit. All other devices on the bus now remain idle while the selected device waits for data to be read from or written to it. If the R/W bit is a 0, then the master will write to the slave device. If the R/W bit is a 1, then the master will read from the slave device.
2. Data is sent over the serial bus in sequences of nine clock pulses, eight bits of data followed by an Acknowledge bit from the receiver of data. Transitions on the data line must occur during the low period of the clock signal and remain stable during the high period, since a low-to-high transition when the clock is high may be interpreted as a stop signal.
3. When all data bytes have been read or written, stop conditions are established. In write mode, the master will pull the data line high during the 10th clock pulse to assert a stop condition. In read mode, the master device will pull the data

line high during the low period before the 9th clock pulse. This is known as No Acknowledge. The master will then take the data line low during the low period before the 10th clock pulse, then high during the 10th clock pulse to assert a stop condition.

Any number of bytes of data may be transferred over the serial bus in one operation, but it is not possible to mix read and write in one operation because the type of operation is determined at the beginning and cannot subsequently be changed without starting a new operation.

WRITING TO THE AD7416/AD7417/AD7418

Depending on the register being written to, there are three different writes for the AD7416/AD7417/AD7418.

1. Writing to the Address Pointer Register for a subsequent read.

In order to read data from a particular register, the Address Pointer Register must contain the address of that register. If it does not, the correct address must be written to the Address Pointer Register by performing a single-byte write operation, as shown in Figure 8. The write operation consists of the serial bus address followed by the address pointer byte. No data is written to any of the data registers.

2. Writing a single byte of data to the configuration registers or to the T_{OTI}, T_{HYST} registers.

The Configuration Register is an 8-bit register, so only one byte of data can be written to it. If only 8-bit temperature comparisons are required, the temperature LSB can be ignored in T_{OTI} and T_{HYST}, and only eight bits need be written to the T_{OTI} and T_{HYST} registers.

Writing a single byte of data to one of these registers consists of the serial bus address, the data register address written to

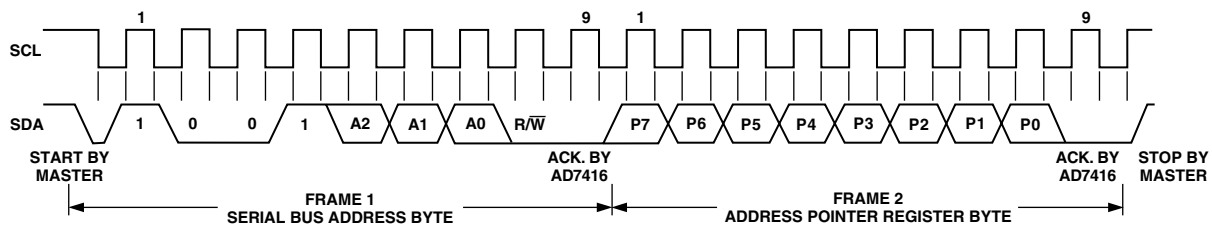


Figure 8. Writing to the Address Pointer Register to Select a Data Register for a Subsequent Read Operation

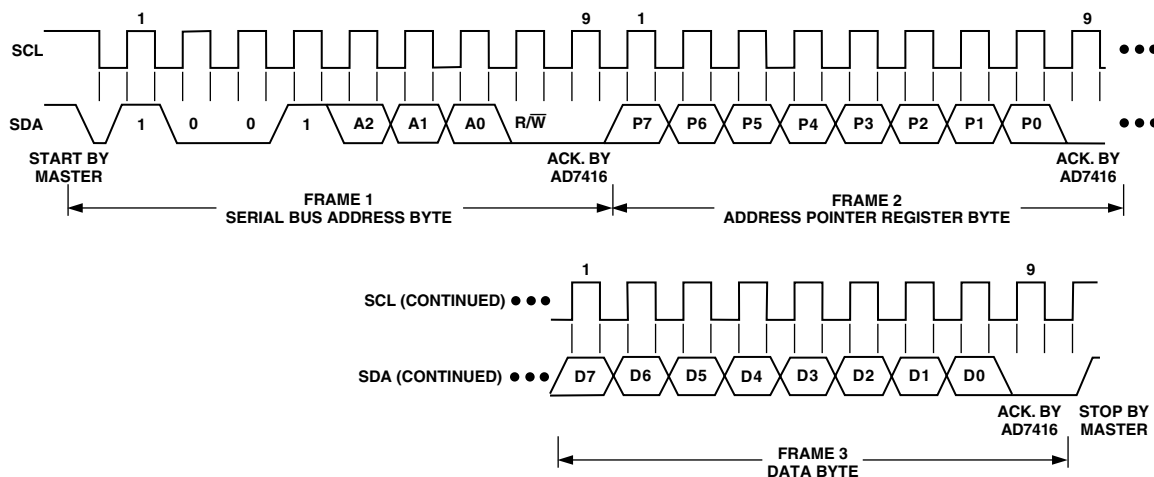


Figure 9. Writing to the Address Pointer Register Followed by a Single Byte of Data to the Selected Data Register

the Address Pointer Register, followed by the data byte written to the selected data register. This is illustrated in Figure 9.

3. Writing two bytes of data to the T_{OTI} or T_{HYST} Register.

If 9-bit resolution is required for the temperature setpoints, two bytes of data must be written to the T_{OTI} and T_{HYST} registers. This consists of the serial bus address, the register address written to the address pointer register, followed by two data bytes written to the selected data register. This is illustrated in Figure 10.

READING DATA FROM THE AD7416/AD7417/AD7418

Reading data from the AD7416/AD7417/AD7418 is a one or two byte operation. Reading back the contents of the Configuration Register is a single byte read operation, as shown in Figure 11, the register address previously having been set by a single-byte write operation to the Address Pointer Register.

Reading data from the temperature value, T_{OTI} or T_{HYST} Register, is a two-byte operation, as shown in Figure 12. It is also possible to read the most significant bit of a 9-bit/10-bit register in this manner.

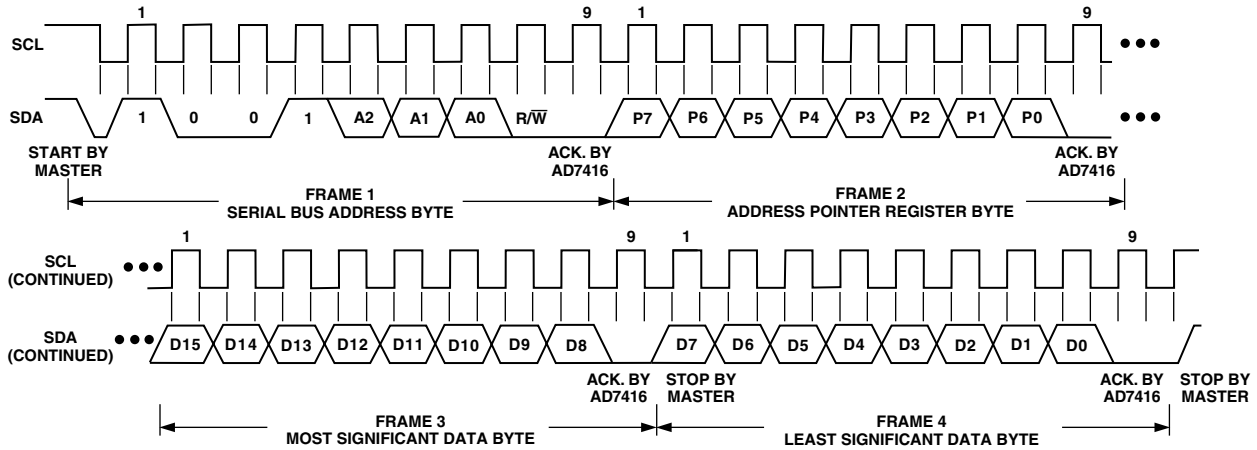


Figure 10. Writing to the Address Pointer Register Followed by Two Bytes of Data to the T_{OTI} or T_{HYST} Register

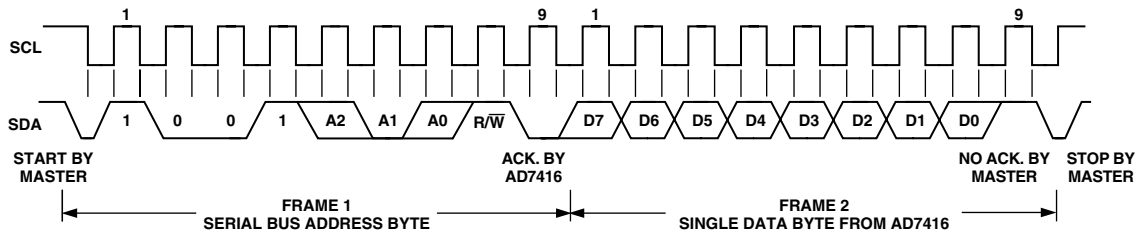


Figure 11. Reading a Single Byte of Data from the Configuration Register

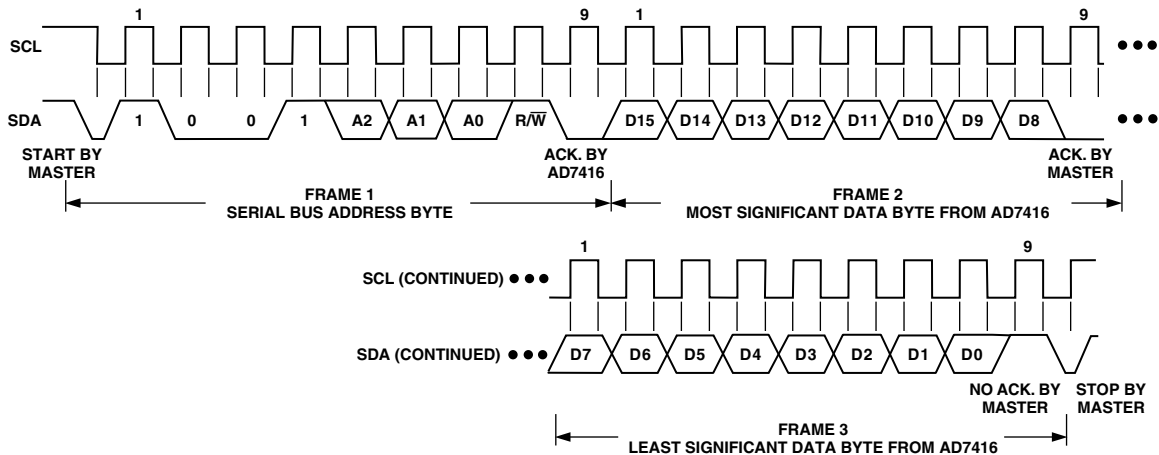


Figure 12. Reading Two Bytes of Data from the T_{OTI} or T_{HYST} Register

AD7416/AD7417/AD7418

Please note that when reading back from the ADT7416/ADT7417/ADT7418, no more than three bytes of data must be read back. A STOP command must be inserted at the end of the read communication. If a STOP command is not inserted by the master and the ADT7416/ADT7417/ADT7418 receives more SCL cycles than the maximum needed for three bytes of data, then the I²C interface on the ADT7416/ADT7417/ADT7418 will pull the SDA line low and prevent it from going high again. To recover the ADT7416/ADT7417/ADT7418 interface the part must be powered off and on again. Reference the application note, AN-686, on the Analog Devices website for more information on I²C interfaces.

OTI OUTPUT

The OTI output has two operating modes, which are selected by Bit D1 of the Configuration Register. In the comparator mode, (D1 = 0), the OTI output becomes active when the temperature exceeds T_{OTI} and remains active until the temperature falls below T_{HYST} . This mode allows the AD7416/AD7417/AD7418 to be used as a thermostat, for example, to control the operation of a cooling fan.

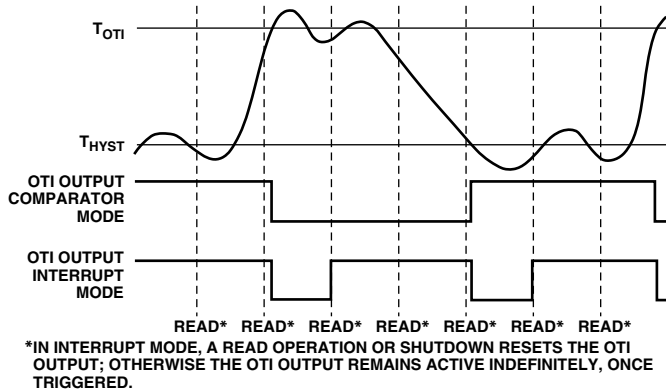


Figure 13. Operation of OTI Output (Shown Active Low)

The open-drain configuration of OTI allows the OTI outputs of several AD7416/AD7417/AD7418s to be wire-ANDed together when in active low mode.

The OTI output is used to indicate that an out-of-limit temperature excursion has occurred. OTI is an open-drain output that can be programmed to be active low by setting Bit D2 of the Configuration Register to 0 or active high by setting Bit D2 of the Configuration Register to 1.

In the interrupt mode (D1 = 1), the OTI output becomes active when the temperature exceeds T_{OTI} and remains active *even if the temperature falls below T_{HYST}* , until it is reset by a read operation. Once OTI has become active by the temperature exceeding T_{OTI} and has then been reset, it will remain inactive *even if the temperature remains, or subsequently rises again, above T_{OTI}* . It will not become active again until the temperature falls below T_{HYST} . It will then remain active until reset by a read operation. Once OTI has become active by the temperature falling below T_{HYST} and then reset, it will remain inactive even if the temperature remains, or subsequently falls again, below T_{HYST} .

OTI is also reset when the AD7416/AD7417/AD7418 is placed in shutdown mode by setting Bit D0 of the Configuration Register to 1.

The OTI output requires an external pull-up resistor. This can be connected to a voltage different from V_{DD} (for example, to allow interfacing between 5 V and 3.3 V systems) provided that the maximum voltage rating of the OTI output is not exceeded.

The value of the pull-up resistor depends on the application but should be as large as possible to avoid excessive sink currents at the OTI output, which can heat the chip and affect the temperature reading. The maximum value of the pull-up resistor that will meet the output high current specification of the OTI output is 30 k Ω , but higher values may be used if a lower output current is required. For most applications, a value of 10 k Ω will prove suitable.

FAULT QUEUE

To avoid false triggering of the AD7416/AD7417/AD7418 in noisy environments, a fault queue counter is provided that can be programmed by Bits D3 and D4 of the Configuration Register (see Table V) to count 1, 2, 4, or 6 fault events before OTI becomes active. In order to trigger OTI, the faults must occur consecutively. For example, if the fault queue is set to 4, then four consecutive temperature measurements greater than T_{OTI} (or less than T_{HYST}) must occur. Any reading that breaks the sequence will reset the fault queue counter, so if there are three readings greater than T_{OTI} followed by a reading less than T_{OTI} , the fault queue counter will be reset without triggering OTI.

POWER-ON DEFAULTS

The AD7416/AD7417/AD7418 always powers up with the following defaults.

Address pointer pointing to Temperature Value Register comparator mode

$T_{OTI} = 80^{\circ}\text{C}$

$T_{HYST} = 75^{\circ}\text{C}$

OTI Active LOW

Fault Queue = 1

These default settings allow the AD7416/AD7417/AD7418 to be used as a standalone thermostat without any connection to a serial bus.

OPERATING MODES

The AD7416/AD7417/AD7418 has two possible modes of operation depending on the value of D0 in the Configuration Register.

Mode 1

Normal operation of the AD7416/AD7417/AD7418 occurs when $D0 = 0$. In this active mode, a conversion takes place every 400 μs . Once the conversion has taken place, the part partially powers down, consuming typically 350 μA of the current until the next conversion occurs.

Two situations can arise in this mode on the request of a temperature read. If a read occurs during a conversion, the conversion aborts and a new one starts on the stop/repeat start condition. The temperature value that is read is that of the previous completed conversion. The next conversion will typically occur 400 μs after the new conversion has begun.

If a read is called between conversions, a conversion is initiated on the stop/repeat start condition. After this conversion, the part returns to performing a conversion every 400 μs .

With a $V_{DD} = 3\text{ V}$, for each $400\ \mu\text{s}$ cycle, the AD7416 spends $40\ \mu\text{s}$ (or 10% of the time) in conversion mode. It spends $360\ \mu\text{s}$ (or 90% of time) in partial power-down mode. Thus, the average power dissipated by the AD7416/AD7417/AD7418 is

$$3\text{ mW} \times 0.1 + 1\text{ mW} \times 0.9 = 1.2\text{ mW}$$

Mode 2

For applications where temperature measurements are required at a slower rate, e.g., every second, power consumption of the part can be reduced by writing to the part to go to a full power-down between reads. The current consumption in full power-down is typically $0.2\ \mu\text{A}$ and full power-down is initiated when $D0 = 1$ in the Configuration Register. When a measurement is required, a write operation can be performed to power-up the part. The part then performs a conversion and is returned to power-down. The temperature value can be read in the full power-down because the I²C bus is continuously active.

The power dissipation in this mode depends on the rate at which reads take place. Taking the requirements for a temperature measurement every 100 ms as an example, the optimum power dissipation is achieved by placing the part in full power-down, waking it up every 100 ms, letting it operate for $400\ \mu\text{s}$ and putting it into full power-down again. In this case, the average power consumption is calculated as follows. The part spends $40\ \mu\text{s}$ (or 0.04% of time) converting with 3 mW dissipation and a 99.96 ms (99.96% of time) in full shutdown with 60 nW dissipation. Thus, the average power dissipation is

$$3\text{ mW} \times 0.004 + 60\text{ nW} \times 0.9996 = 1.2\ \mu\text{W}$$

The fastest throughput rate at which the AD7416/AD7417/AD7418 can be operated is 2.5 kHz (i.e., a read every $400\ \mu\text{s}$ conversion period). Since T_{OTI} and T_{HYST} are 2-byte reads, the read time with the I²C operating at 100 kbit/s would be $270\ \mu\text{s}$. If temperature reads are called too often, reads will overlap with conversions, aborting them continuously, which results in invalid readings.

CONVERT START MODE

The AD7417/AD7418 has an extra mode, set by writing to the MSB of the Config2 Register.

CONVST Pin Mode

By setting the $\overline{\text{CONVST}}$ Mode Bit to 1, conversions are initiated only by using the $\overline{\text{CONVST}}$ pin. In this method of operation, $\overline{\text{CONVST}}$ is normally low.

The rising edge of $\overline{\text{CONVST}}$ starts the power-up time. This power-up time is $4\ \mu\text{s}$. If the $\overline{\text{CONVST}}$ high time is longer than $4\ \mu\text{s}$, a conversion is initiated on the falling edge of $\overline{\text{CONVST}}$ and the track-and-hold also enters its hold mode at this time. If the $\overline{\text{CONVST}}$ high time is less than $4\ \mu\text{s}$, an internal timer, initiated by the rising edge of $\overline{\text{CONVST}}$ holds off the track-and-hold and the initiation of conversion until the timer times out ($4\ \mu\text{s}$ after the rising edge of $\overline{\text{CONVST}}$, which corresponds with the power-up time). $\overline{\text{CONVST}}$ input remains low at the end of conversion, thus causing the part to enter its power-down mode. In this method of operation, $\overline{\text{CONVST}}$ is normally low with a high going pulse controlling the power-up and conversion starts.

The $\overline{\text{CONVST}}$ pin should not be pulsed when reading from or writing to the port.

Figure 17 shows the recommended minimum times for the $\overline{\text{CONVST}}$ pulse when the temperature channel is selected. Figure 18 shows the minimum times an analog input channel is selected.

APPLICATIONS INFORMATION

SUPPLY DECOUPLING

The AD7416/AD7417/AD7418 should be decoupled with a $0.1\ \mu\text{F}$ ceramic capacitor between V_{DD} and GND. This is particularly important if the part is mounted remote from the power supply.

POWER-ON-RESET

To ensure proper power-on-reset, make sure that the supply voltage on the V_{DD} pin is at 0 V . Refer to application note AN-588 for more information. A failed power-on-reset can prevent the default values from being loaded into the AD7416/AD7417/AD7418 registers. If the correct values are not loaded into the registers, then the device will not start operating. The output from the value registers will be a constant value.

To get the device operating again, the registers will have to be loaded with their default values via the I²C bus. Therefore, in the event of an inadequate power-on-reset and for all three devices, the following registers should be loaded with their default values:

- Configuration Register 1—Default Value = 00h
- Configuration Register 2—Default Value = 00h
- T_{HYST} Setpoint Register—Default Value = 4B00h
- T_{OTI} Setpoint Register—Default Value = 5500h

MOUNTING THE AD7416

The AD7416/AD7417/AD7418 can be used for surface or air temperature sensing applications. If the device is cemented to a surface with thermally conductive adhesive, the die temperature will be within about 0.2°C of the surface temperature, thanks to the device's low power consumption. Care should be taken to insulate the back and leads of the device from the air, if the ambient air temperature is different from the surface temperature being measured.

The ground pin provides the best thermal path to the die, so the temperature of the die will be close to that of the printed circuit ground track. Care should be taken to ensure that this is in good thermal contact with the surface being measured.

As with any IC, the AD7416/AD7417/AD7418 and its associated wiring and circuits must be kept free from moisture to prevent leakage and corrosion, particularly in cold conditions where condensation is more likely to occur. Water resistant varnishes and conformal coatings can be used for protection. The small size of the AD7416 package allows it to be mounted inside sealed metal probes that provide a safe environment for the device.

AD7416/AD7417/AD7418

FAN CONTROLLER

Figure 14 shows a simple fan controller that will switch ON a cooling fan when the temperature exceeds 80°C and switch it OFF again when the temperature falls below 75°C. The AD7416 can be used standalone in this application or with a serial bus interface if different trip temperatures are required. If the AD7416 is used with a bus interface, the sense of OTI can be set to active high, Q1 and R1 can be omitted, and OTI can be connected directly to the gate of Q2 with R2 as the pull-up resistor.

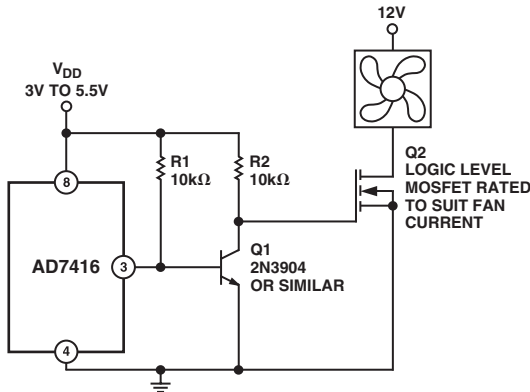


Figure 14. AD7416 Used as a Fan Controller

THERMOSTAT

Figure 15 shows the AD7416 used as a thermostat. The heater will be switched ON when the temperature falls below T_{HYST} and switched OFF again when the temperature rises above T_{OTT} . For this application and for comparator mode, the OTI output should be programmed active low.

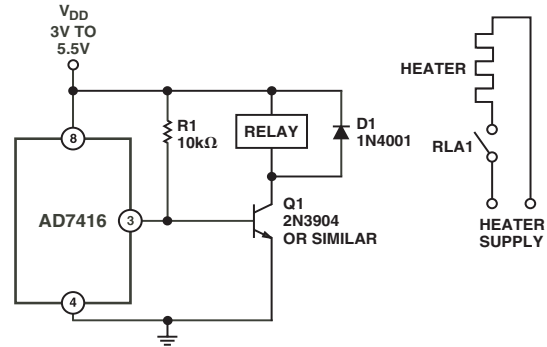


Figure 15. AD7416 Used as a Thermostat

SYSTEM WITH MULTIPLE AD7416S

The three LSBs of the AD7416's serial address can be set by the user, allowing eight different addresses from 1001000 to 1001111. Figure 16 shows a system in which eight AD7416s are connected to a single serial bus, with their OTI outputs wire-ANDed together to form a common interrupt line. This arrangement does mean that each device must be read to determine which one has generated the interrupt, and if a unique interrupt is required for each device, the OTI outputs can be connected separately to the I/O chip.

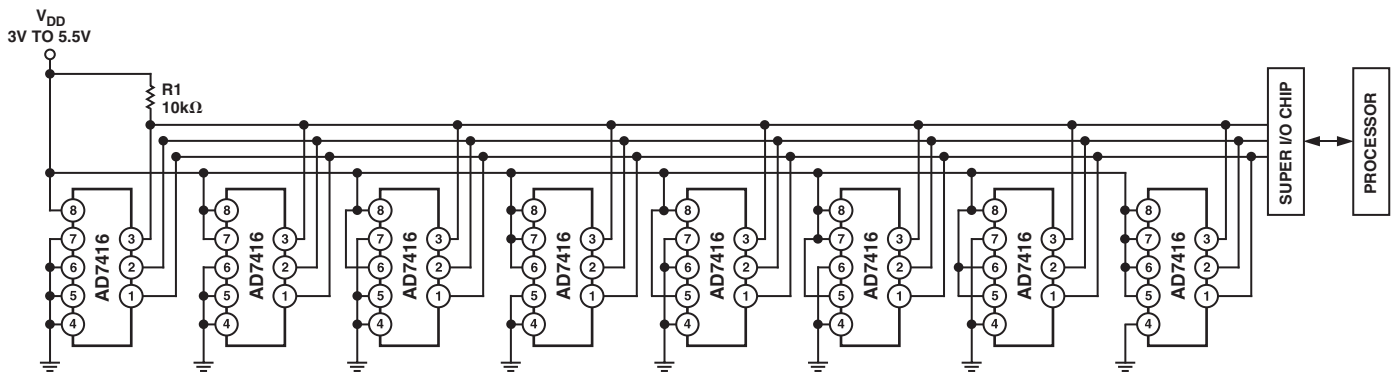


Figure 16. Multiple Connection of AD7416s to a Single Serial Bus

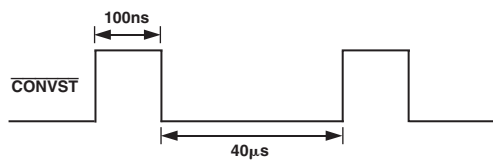


Figure 17. \overline{CONVST} When Temperature Channel Selected

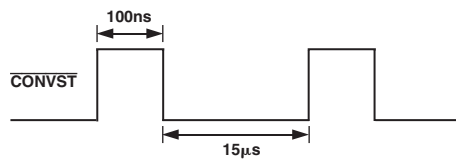
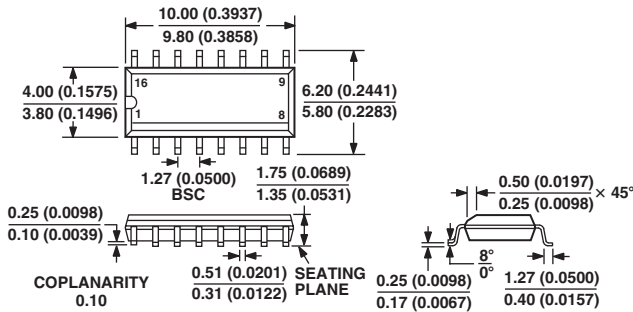


Figure 18. \overline{CONVST} When V_{IN} Channel(s) Selected

OUTLINE DIMENSIONS

16-Lead Standard Small Outline Package [SOIC] Narrow Body (R-16)

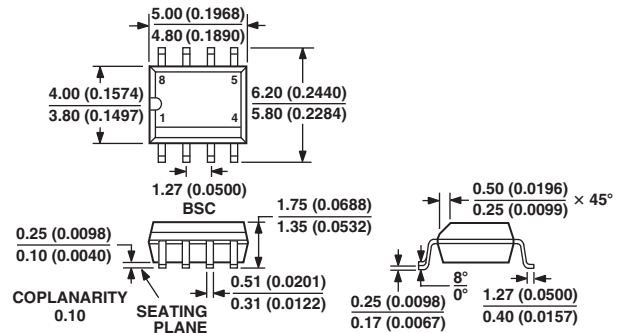
Dimensions shown in millimeters and (inches)



COMPLIANT TO JEDEC STANDARDS MS-012AC
CONTROLLING DIMENSIONS ARE IN MILLIMETERS; INCH DIMENSIONS (IN PARENTHESES) ARE ROUNDED-OFF MILLIMETER EQUIVALENTS FOR REFERENCE ONLY AND ARE NOT APPROPRIATE FOR USE IN DESIGN

8-Lead Standard Small Outline Package [SOIC] Narrow Body (R-8)

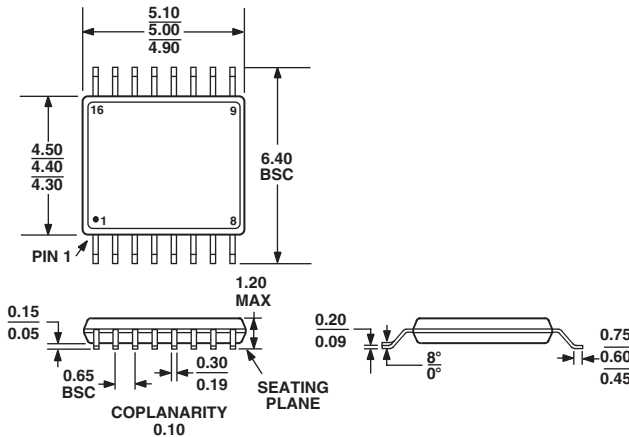
Dimensions shown in millimeters and (inches)



COMPLIANT TO JEDEC STANDARDS MS-012AA
CONTROLLING DIMENSIONS ARE IN MILLIMETERS; INCH DIMENSIONS (IN PARENTHESES) ARE ROUNDED-OFF MILLIMETER EQUIVALENTS FOR REFERENCE ONLY AND ARE NOT APPROPRIATE FOR USE IN DESIGN

16-Lead Thin Shrink Small Outline Package [TSSOP] (RU-16)

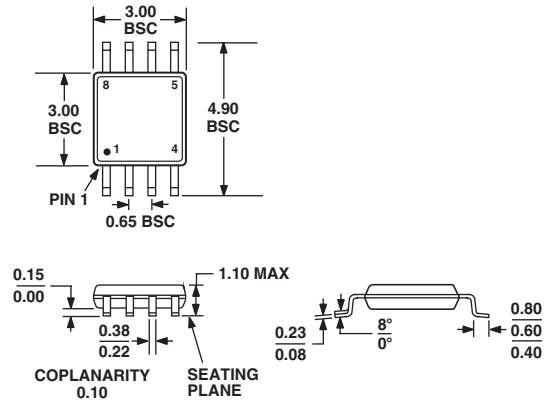
Dimensions shown in millimeters



COMPLIANT TO JEDEC STANDARDS MO-153AB

8-Lead Mini Small Outline Package [MSOP] (RM-8)

Dimensions shown in millimeters



COMPLIANT TO JEDEC STANDARDS MO-187AA

Purchase of licensed I²C components of Analog Devices or one of its sublicensed Associated Companies conveys a license for the purchaser under the Philips I²C Patent Rights to use these components in an I²C system, provided that the system conforms to the I²C Standard Specification as defined by Philips.

AD7416/AD7417/AD7418

Revision History

Location	Page
8/04—Data Sheet Changed from REV. F to REV. G.	
Changes to Figure 12	12
Changes to READING DATA FROM THE AD7416/AD7417/AD7418 section	13
Changes to POWER-ON-RESET section	14
7/03—Data Sheet Changed from REV. E to REV. F.	
Updated FEATURES	1
Updated SPECIFICATIONS	3
Updated ABSOLUTE MAXIMUM RATINGS	6
Updated ORDERING GUIDE	6
Updated PRODUCT HIGHLIGHTS	7
Updated CIRCUIT INFORMATION	7
Updated TEMPERATURE MEASUREMENT section	9
10/02—Data Sheet Changed from REV. D to REV. E.	
Edits to SPECIFICATIONS headings	2
Added TEMPERATURE MEASUREMENT section	8
Edits to SERIAL BUS ADDRESS section	10
Edits to Figure 11	12
Edits to $\overline{\text{CONVST}}$ Pin Mode section	14
Edits to POWER-ON-RESET section	14
Addition of Figures 16 and 17	15
Updated OUTLINES	16

