

TOSHIBA BIPOLAR LINEAR INTEGRATED CIRCUIT SILICON MONOLITHIC

TA8406P, TA8406F

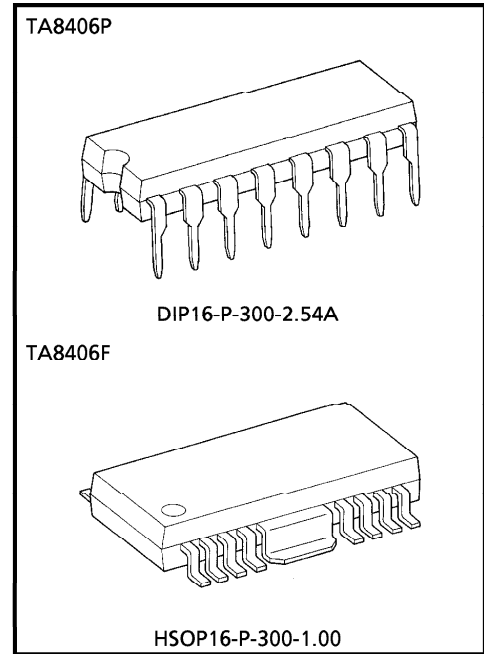
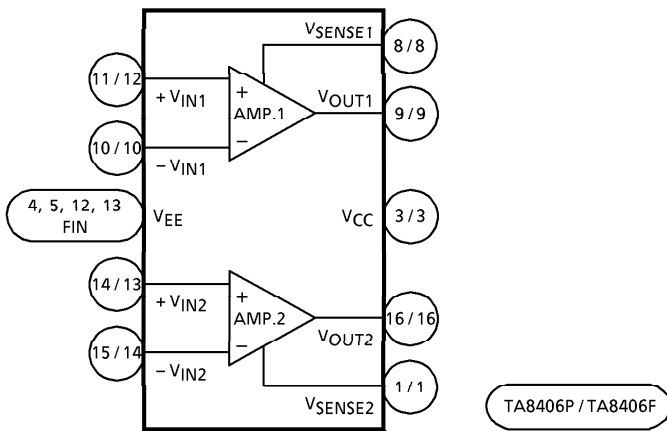
DUAL POWER OPERATIONAL AMPLIFIER

The TA8406P, TA8406F are dual power operational amplifier.
 It is intended for use especially DC MOTOR positioning system applications such as Arm Driver (for Audiodisk Players), head or voice coil motor drivers (for Floppy and Winchester Disk Drivers) and any other power driver applications.

FEATURES

- Built-in over current protector
- Few external parts are required.
- Output current up to 500mA (AVE.) and 1.0A (PEAK)
- Excellent crosstalk characteristics

BLOCK DIAGRAM



Weight
 DIP16-P-300-2.54A : 1.11g (Typ.)
 HSOP16-P-300-1.00 : 0.50g (Typ.)

961001EBA2

● TOSHIBA is continually working to improve the quality and the reliability of its products. Nevertheless, semiconductor devices in general can malfunction or fail due to their inherent electrical sensitivity and vulnerability to physical stress. It is the responsibility of the buyer, when utilizing TOSHIBA products, to observe standards of safety, and to avoid situations in which a malfunction or failure of a TOSHIBA product could cause loss of human life, bodily injury or damage to property. In developing your designs, please ensure that TOSHIBA products are used within specified operating ranges as set forth in the most recent products specifications. Also, please keep in mind the precautions and conditions set forth in the TOSHIBA Semiconductor Reliability Handbook.

● The products described in this document are subject to foreign exchange and foreign trade control laws.

● The information contained herein is presented only as a guide for the applications of our products. No responsibility is assumed by TOSHIBA CORPORATION for any infringements of intellectual property or other rights of the third parties which may result from its use. No license is granted by implication or otherwise under any intellectual property or other rights of TOSHIBA CORPORATION or others.

● The information contained herein is subject to change without notice.

PIN FUNCTION
TA8406P

PIN No.	SYMBOL	FUNCTION DESCRIPTION
1	VSENSE2	AMP.2 output current detection terminal
2	NC	No connection
3	VCC	Positive side voltage terminal
4	VEE	Negative side voltage terminal
5	VEE	Negative side voltage terminal
6	NC	No connection
7	NC	No connection
8	VSENSE1	AMP.1 output current detection terminal
9	VOUT1	AMP.1 output terminal
10	-VIN1	AMP.1 negative input terminal
11	+VIN1	AMP.1 positive input terminal
12	VEE	Negative side voltage terminal
13	VEE	Negative side voltage terminal
14	+VIN2	AMP.2 positive input terminal
15	-VIN2	AMP.2 negative input terminal
16	VOUT2	AMP.2 output terminal

TA8406F

PIN No.	SYMBOL	FUNCTION DESCRIPTION
1	VSENSE2	AMP.2 output current detection terminal
2	NC	No connection
3	VCC	Positive-side voltage terminal
4	NC	No connection
5	NC	No connection
6	NC	No connection
7	NC	No connection
8	VSENSE1	AMP.1 output current detection
9	VOUT1	AMP.1 output terminal
10	-VIN1	AMP.1 negative input terminal
11	NC	No connection
12	+VIN1	AMP.1 positive input terminal
13	+VIN2	AMP.2 positive input terminal
14	-VIN2	AMP.2 negative input terminal
15	NC	No connection
16	VOUT2	AMP.2 output terminal
FIN	VEE	Negative side voltage terminal

MAXIMUM RATINGS (Ta = 25°C)

CHARACTERISTIC		SYMBOL	RATING	UNIT
Supply Voltage		V_{CC}, V_{EE}	± 18	V
Output Current		I_O (AVE.)	0.5	A
Power Dissipation	TA8406P	P_D	(Note 1) 1.4	W
			(Note 2) 2.7	
	TA8406P		(Note 3) 1.4	
Operating Temperature		T_{opr}	- 30~75	°C
Storage Temperature		T_{stg}	- 55~150	°C

(Note 1) No heat sink

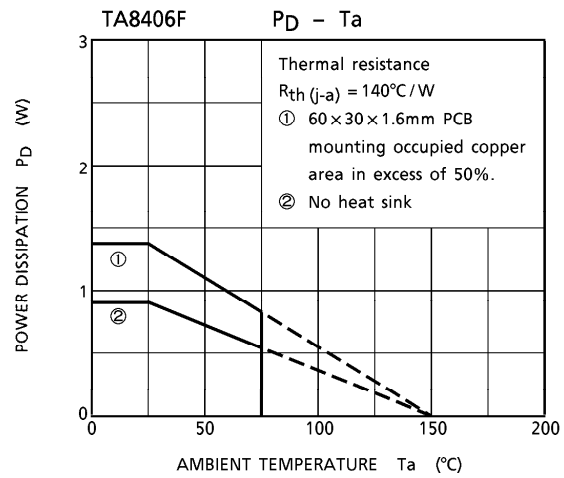
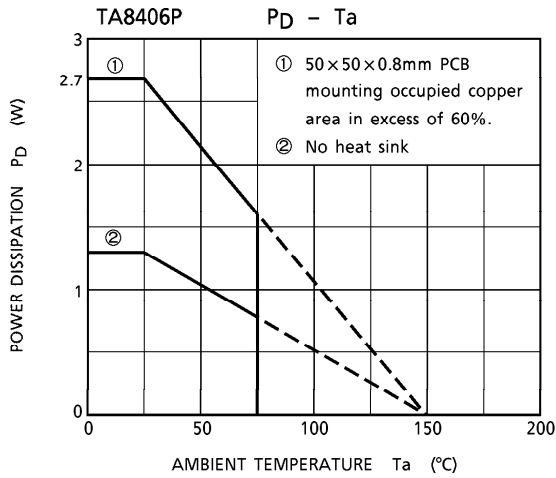
(Note 2) This value is obtained by 50×50×0.8mm PCB mounting occupied in excess of 60% of copper area.

(Note 3) This value is obtained by 60×30×1.6mm PCB mounting occupied in excess of 50% of copper area.

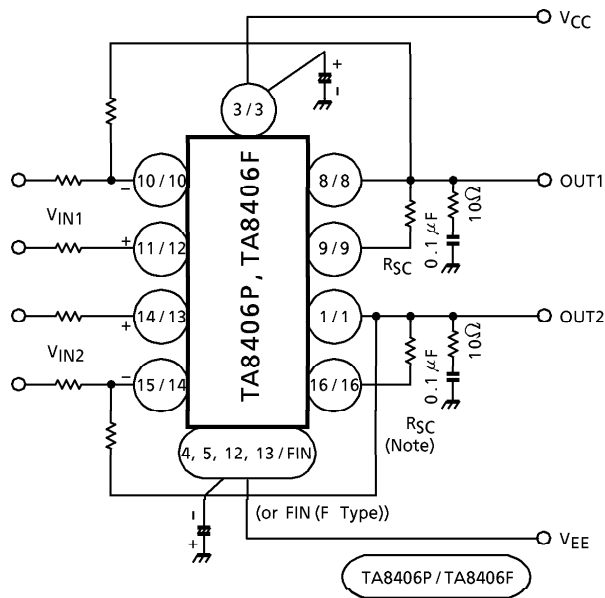
ELECTRICAL CHARACTERISTICS

(Unless otherwise specified, $V_{CC} = 15V, V_{EE} = -15V, T_a = 25^\circ C$)

CHARACTERISTIC		SYMBOL	TEST CIR-CUIT	TEST CONDITION	MIN.	TYP.	MAX.	UNIT
Quiescent Current		I_{CC}	—	—	—	10	20	mA
Input Off Set Current		I_{IO}	—	—	—	10	200	nA
Input Bias Current		I_I	—	—	—	100	700	nA
Input Off Set Voltage		V_{IO}	—	—	—	2	6	mV
Output Voltage Swing	Upper	V_{OH}	—	$R_L = 33\Omega$	12	13.0	—	V
	Lower	V_{OL}			- 12	- 13.0	—	
Open Loop Gain		G_{VO}	—	—	—	100	—	dB
Input Common Mode Voltage Range		CMR	—	—	± 12	± 14	—	
Common Mode Rejection Ratio		CMRR	—	—	70	90	—	dB
Supply Voltage Rejection Ratio		SVRR	—	—	—	50	150	$\mu V/V$
Band Width		f_T	—	Open loop	—	1.0	—	MHz
Slew Rate		SR	—	$G_V = 0, R_L = 33\Omega, R = 10\Omega, C = 0.1\mu F$	—	0.15	—	V / μs
Short Circuit Current		I_{SC}	—	$R_{SC} = 2.2\Omega$	—	0.35	—	A
Cross Talk		CT	—	$R_L = 33\Omega, V_{OUT} = 1V_{p-p}$	—	60	—	dB

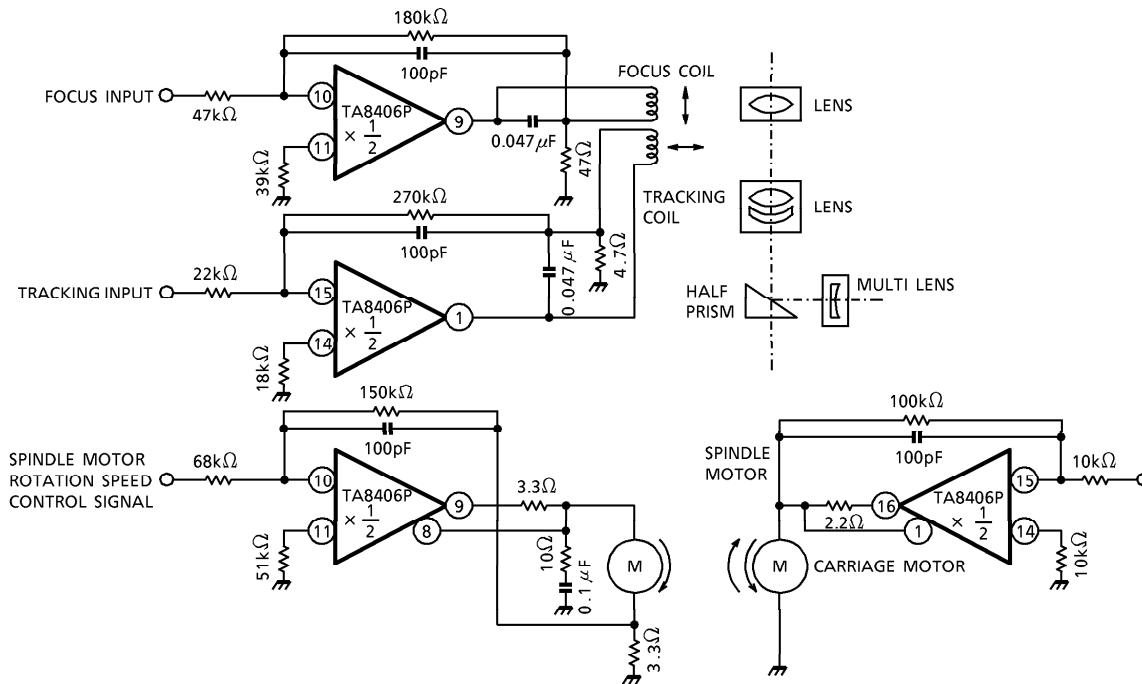


APPLICATION CIRCUIT 1



(Note) $I_{SC} \doteq \frac{0.77 (V)}{R_{SC} (\Omega)} (A)$

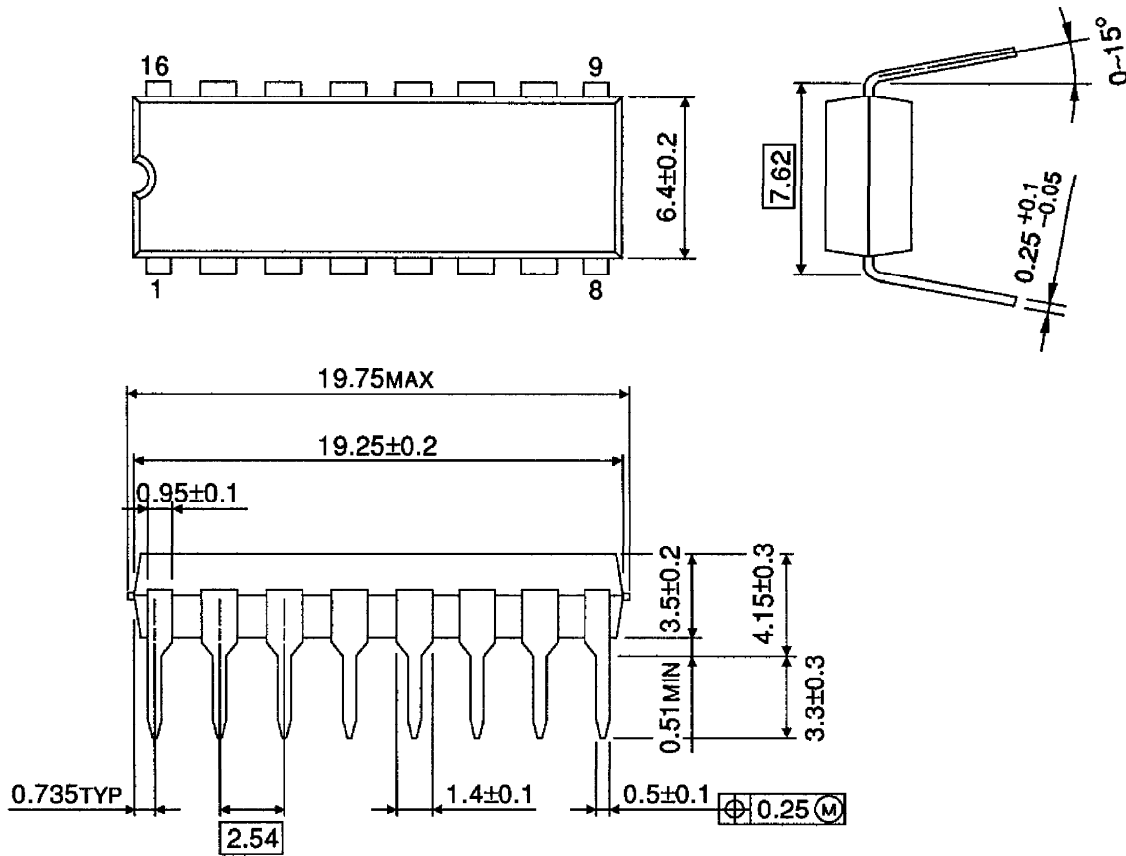
APPLICATION CIRCUIT 2 (Compact disk player motor system)



(Note) Utmost care is necessary in the design of the output line, V_{CC}, V_{EE} and GND line since IC may be destroyed due to short-circuit between outputs, air contamination fault, or fault by improper grounding.

OUTLINE DRAWING
DIP16-P-300-2.54A

Unit : mm

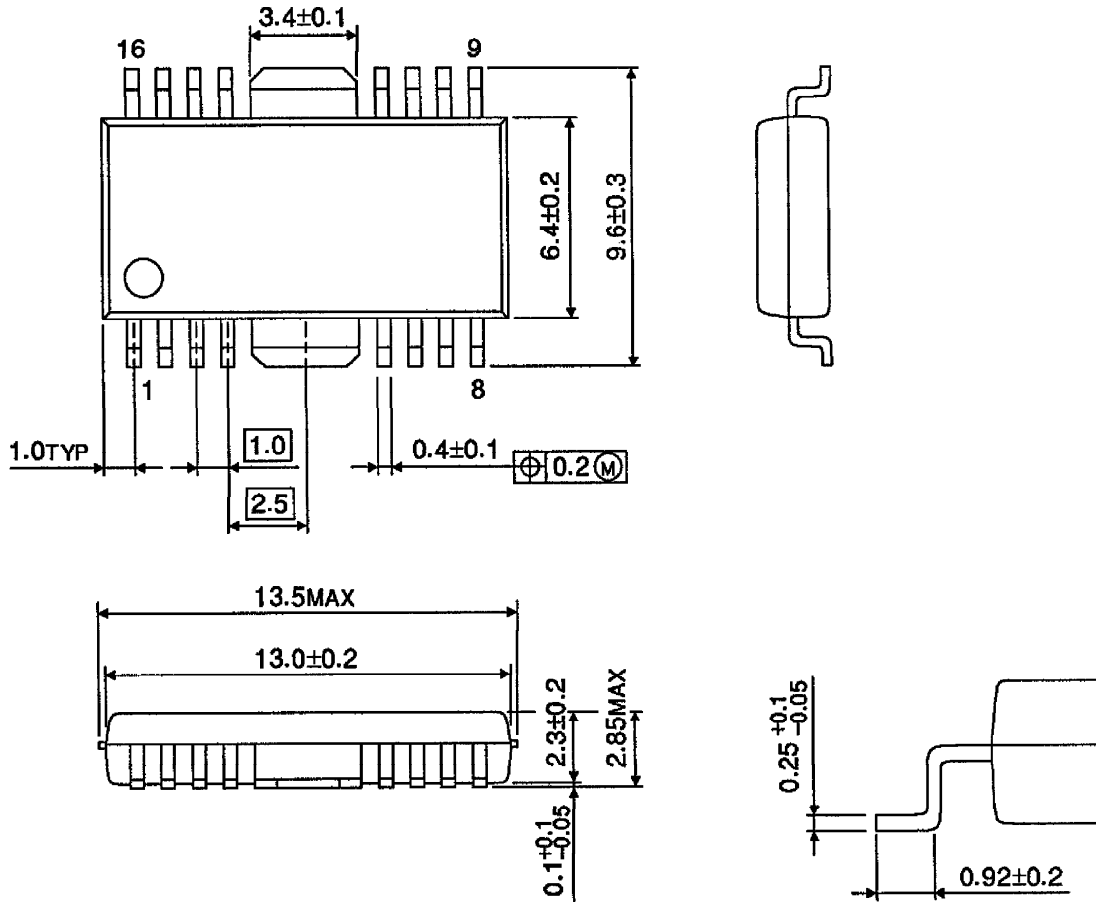


Weight : 1.11g (Typ.)

OUTLINE DRAWING

HSOP16-P-300-1.00

Unit : mm



Weight : 0.50g (Typ.)