

TA8100N/F

3V AM/FM IF IC WITH POWER AMPLIFIER

TA8100N/F is AM/FM IF IC with power amplifier and suitable for low voltage portable radio. This IC is able to drive LED for Turning Indication.

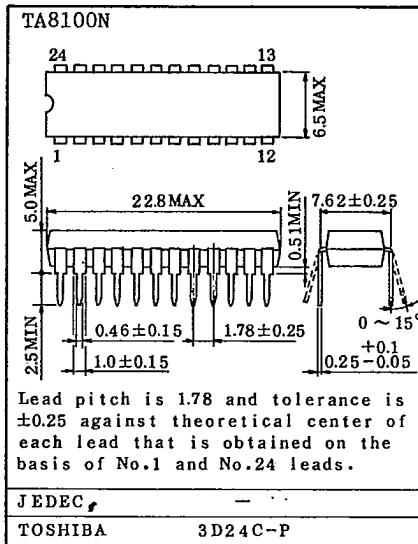
- . It can drive 4Ω load directly
: P_o=220mW (Typ.), THD=10% (3V/4Ω)
- . Incorporates, AM RF Amp, AM Local Oscillator, AM Mixer, AM/FM IF Amp, AM/FM Detector, AM AGC Circuit and B Class-Audio Power Amplifier.
- . Low Overload Distortion at AM.
- . Wide Power Supply Voltage Range
: V_{opr}=1.8~5V (Ta=25°C)

MAXIMUM RATINGS (Ta=25°C)

CHARACTERISTIC	SYMBOL	RATING	UNIT
Supply Voltage	VCC	6	V
Output Current (Peak)	I _O (peak)	550	mA
LED Current	I _{LED}	15	mA
Power Dissipation (Note)	TA8100F	800	mW
	TA8100N	1200	
Operating Temperature	T _{opr}	-25~75	°C
Storage Temperature	T _{stg}	-55~150	°C

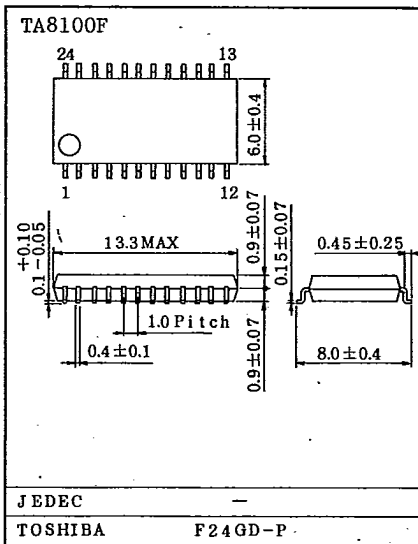
Note : Derated above Ta=25°C in the proportion of 6.4mW/°C for TA8100F and of 9.6mW/°C for TA8100N.

Unit in mm



Weight : 1.2g

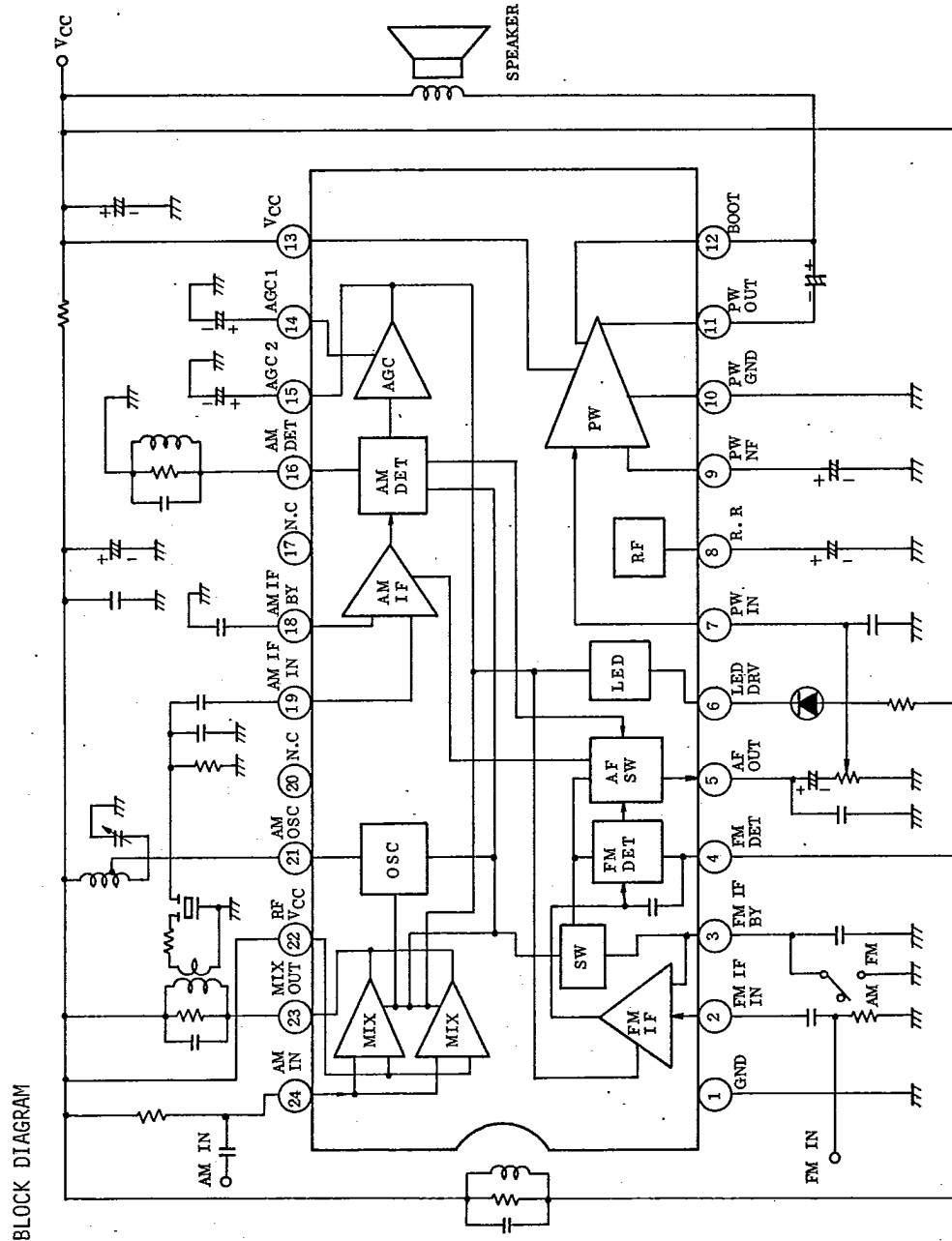
Unit in mm



Weight : 0.31g

TA8100N/F

T-77-05-07



BLOCK DIAGRAM

(Note) 17, 20 pin: Non Connection

AUDIO LINEAR IC

TA8100N/F

T-77-05-07

TERMINAL EXPLANATION

TERMINAL VOLTAGE: Typical Terminal Voltage at No Signal with Test Circuit
(V_{CC}=3.0V, T_a=25°C)

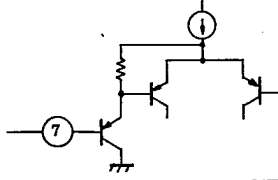
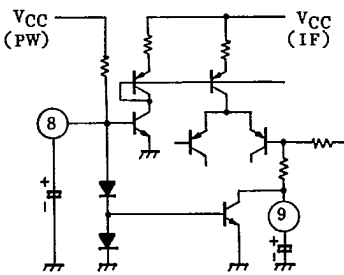
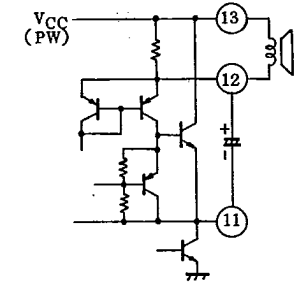
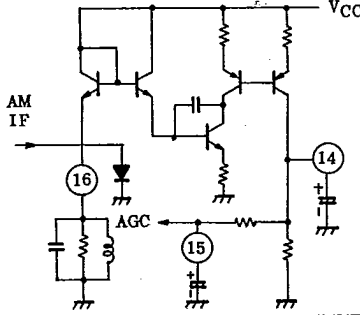
No.	TERMINAL NAME	CONTENTS	EQUIVALENT CIRCUIT	VOLTAGE	
				AM(V)	FM(V)
1	GND	IF GND	-	0	0
2	FM IF IN	FM IF (10.7MHz) Input Terminal		2.4	2.0
3	FM IF BY	FM IF BYPASS		0	2.0
4	FM DET	FM Quad Rature Detection Circuit		3.0	3.0
5	AF OUT	Audio Signal Output Terminal	<p>()..... ON at FM only</p>	0.3	0.8
6	LED DRIVER	LED Terminal		-	-

TOSHIBA

TA8100N/F

T-77-05-07

TERMINAL EXPLANATION

No.	TERMINAL NAME	CONTENTS	EQUIVALENT CIRCUIT	VOLTAGE	
				AM(V)	FM(V)
7	PW IN	Audio Signal Input Terminal		0.01	0.01
8	RIPPLE	Ripple Filter Terminal		1.4	1.4
9	PW NF	NF Terminal		0.6	0.6
10	PW GND	GND	-	0	0
11	PW OUT	Audio Signal Output Terminal		1.5	1.5
12	BOOT	Bootstrap		2.8	2.8
13	VCC	Power Supply	-	3.0	3.0
14	AGC 1	AM AGC 1		0.6	0
15	AGC 2	AM AGC 2		0.6	0
16	AM DET	AM Detector		0	0

AUDIO LINEAR IC

TA8100N/F

T-77-05-07

TERMINAL EXPLANATION

No.	TERMINAL NAME	CONTENTS	EQUIVALENT CIRCUIT	VOLTAGE	
				AM(V)	FM(V)
17	N.C	Non Connection	-	-	-
18	AM IF BY	AM IF Amplifier Bypass		1.3	0
19	AM IF IN	AM IF (455kHz) Input Terminal		1.3	0
20	N.C	Non Connection	-	-	-
21	AM OSC	AM Oscillation Terminal		3.0	3.0
22	VCC	Power Supply	-	3.0	3.0
23	AM MIX OUT	AM MIXER Output Terminal		3.0	3.0
24	AM IN	AM RF Signal Input Terminal		3.0	3.0

TOSHIBA

TA8100N/F

T-77-05-07

ELECTRICAL CHARACTERISTICS

Unless otherwise specified, $V_{CC}=3V$, $T_a=25^\circ C$ FM : $f=10.7MHz$, $\Delta f=\pm 22.5kHz$ dev., $f_m=1kHz$ AM : $f=1MHz$, $Mod=30\%$, $f_m=1kHz$ PW : $f=1kHz$, $R_L=4\Omega$, $R_g=600\Omega$

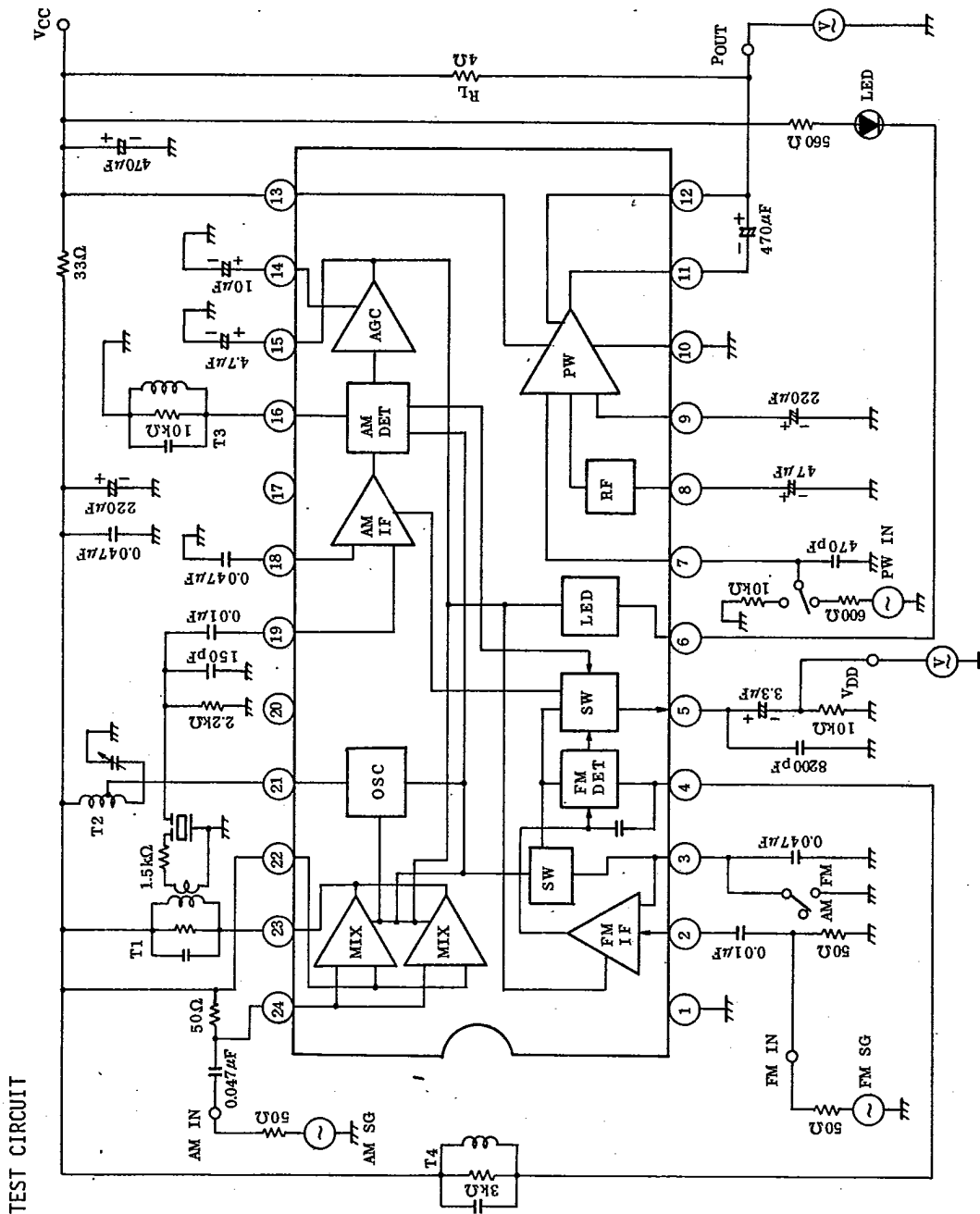
CHARACTERISTIC	SYMBOL	TEST CIRCUIT	TEST CONDITION	MIN.	TYP.	MAX.	UNIT	
Power Supply Current (Including PW Amplifier)	ICC(FM)	-	VIN=0	-	12	20	mA	
			VIN=0, VCC=4.5V	-	14	23		
	ICC(AM)	-	VIN=0	-	11	19		
			VIN=0, VCC=4.5V	-	13	22		
FM	Input Limiting Voltage	VIN(lim)	-3dB Limiting Point	-	36	42	dBμ	
	Recovered Output Voltage	VOD	VIN=80dBμ	22	31	44	mVrms	
	Signal to Noise Ratio	S/N	VIN=80dBμ	-	70	-	dB	
	Total Harmonic Distortion	THD	VIN=80dBμ	-	0.3	-	%	
	AM Rejection Ratio	AMR	VIN=80dBμ, Mod=30%	-	33	-	dB	
	LED Sensitivity	VL	IL=1mA	44	50	56	dBμ	
	AM	Gain	Gv	VIN=30dBμ	5	11	17	mVrms
Recovered Output Voltage		VOD	VIN=66dBμ	22	31	44	mVrms	
Signal to Noise Ratio		S/N	VIN=66dBμ	-	46	-	dB	
Total Harmonic Distortion		THD 1	-	VIN=66dBμ	-	1.5	-	%
		THD 2	-	VIN=106dBμ	-	4.0	-	
Local OSC Stop Voltage		Vstop	-	VOSC:-6dB down point	-	-	1.5	V
LED Sensitivity	VL	-	IL=1mA	24	30	36	dBμ	
PW	Voltage Gain	Gv	VIN=-40dBm (7.7mV)	37	40	43	dB	
	Output Power	PO1	THD=10%	180	220	-	mW	
		PO2	VCC=4.5V, THD=10%	-	500	-		
	Total Harmonic Distortion	THD	-	PO=50mW	-	0.5	2	%
Output Noise	VNO	-	Rg=10kΩ BW=30Hz~20kHz	-	0.18	-	mVrms	

VIN : Open Measurement

AUDIO LINEAR IC

TA8100N/F

T-77-05-07



TEST CIRCUIT

TOSHIBA

9097247 TOSHIBA. ELECTRONIC

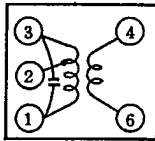
02E 17690 D

TA8100N/F

T-77-05-07

COIL DATA

T1 AM MIX



(BOTTOM VIEW)

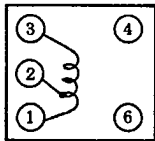
Co (pF)	f (MHz)	Q _o	TURNS		
			1-2	2-3	4-6
1500	455	60	12	51	17

SUMIDA ELECTRIC Co.,Ltd

2150-2105-261

WIRE : 0.1mm ϕ UEW

T2 AM OSC



(BOTTOM VIEW)

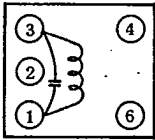
f (kHz)	L (μ H)	Q _o	TURNS	
			1-2	2-3
796	268	125	15	89

SUMIDA ELECTRIC Co.,Ltd

2157-2239-213A

WIRE : 0.06mm ϕ UEW

T3 AM DET



(BOTTOM VIEW)

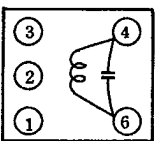
Co (pF)	f (kHz)	Q _o	TURNS
			1-3
330	455	105	127

SUMIDA ELECTRIC Co.,Ltd

2150-2083-061

WIRE : 0.06mm ϕ UEW

T4 FM DET



(BOTTOM VIEW)

Co (pF)	f (MHz)	Q _o	TURNS
			4-6
150	10.7	95	10

SUMIDA ELECTRIC Co.,Ltd

2153-4095-331

WIRE : 0.14mm ϕ UEW

AUDIO LINEAR IC

TA8100N/F

T-77-05-07

APPLICATION NOTE

1. AM IF INPUT

AM IF signal (455kHz) is fed to pin (19).

To keep stability at weak signal, connect the external resistor and capacitor as shown in Fig.1.

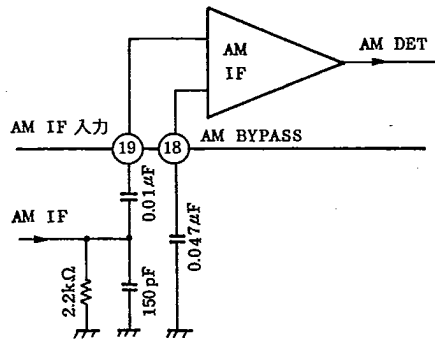


Fig.1 AM IF

2. BOOTSTRAP

When the load resistor, R_L is 16Ω , oscillation may occur just before clipping of the output wave. (Except for $R_L=8\Omega, 4\Omega$) So, connect the small resistor as shown in Fig.2.

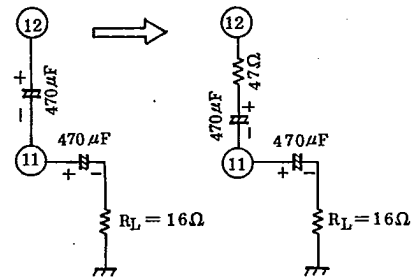


Fig.2 BOOTSTRAP

3. FM IF INPUT

It is not needed to use a transistor between F/E and AM/FM IF to get a high gain because this IC has a enough gain ($V_{IN(1im)}=36dB\mu$).

When the signal source impedance is high, be careful of the value of R_1 and pattern layout to keep stability at weak signal (Fig.3).

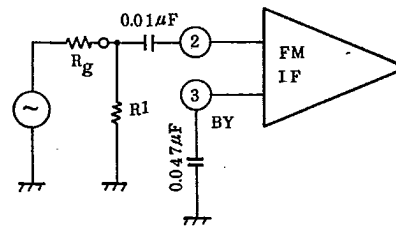
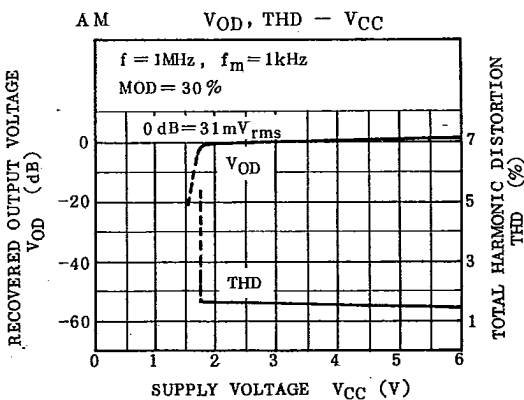
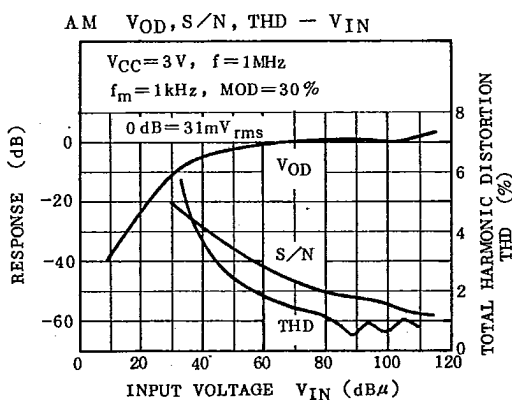
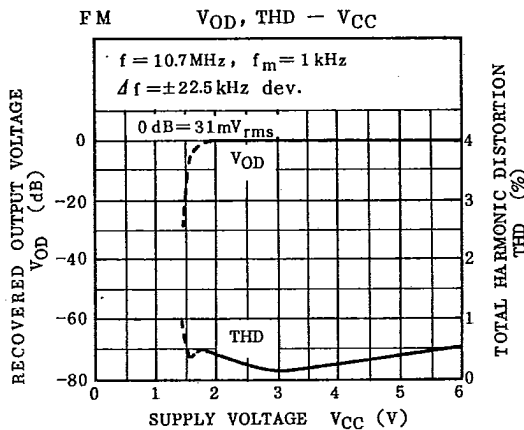
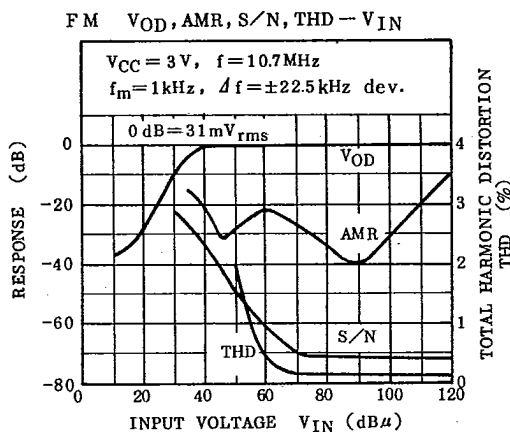
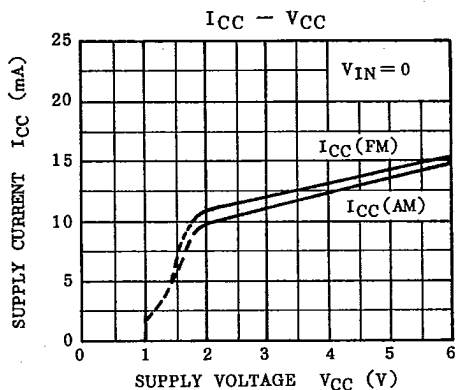


Fig.3 FM IF

TOSHIBA

TA8100N/F

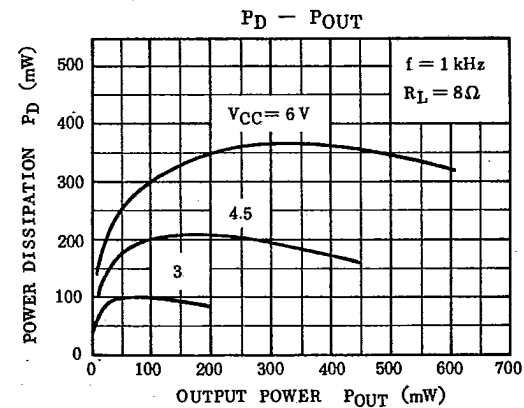
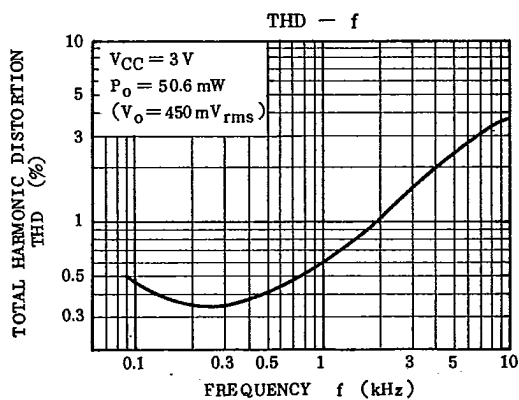
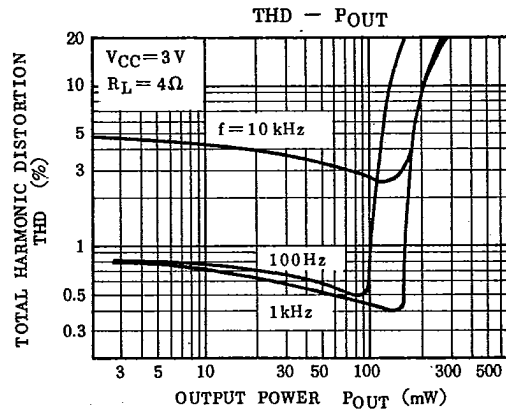
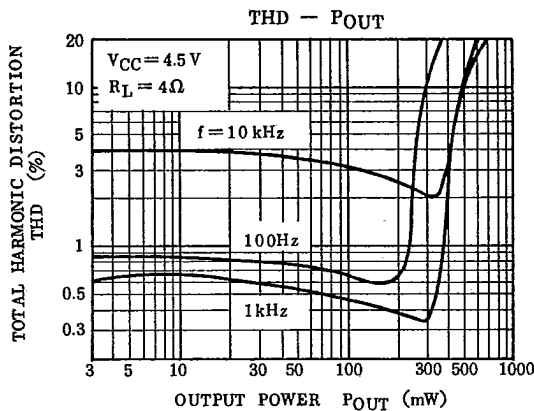
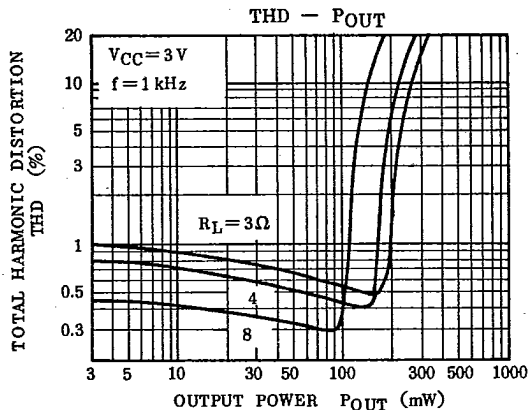
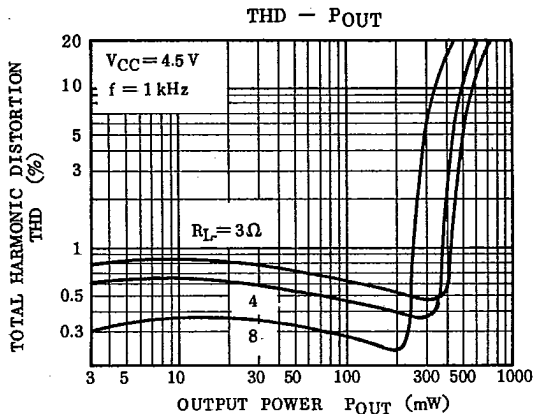
T-77-05-07



AUDIO LINEAR IC

TA8100N/F

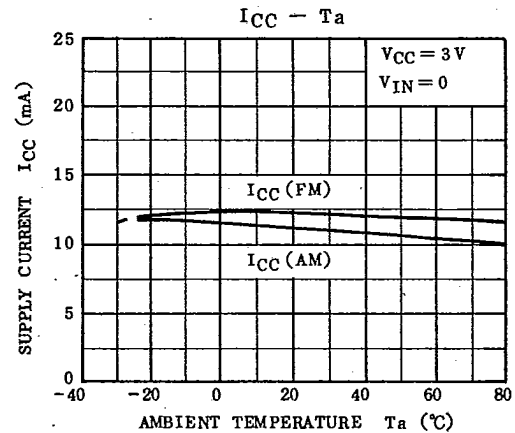
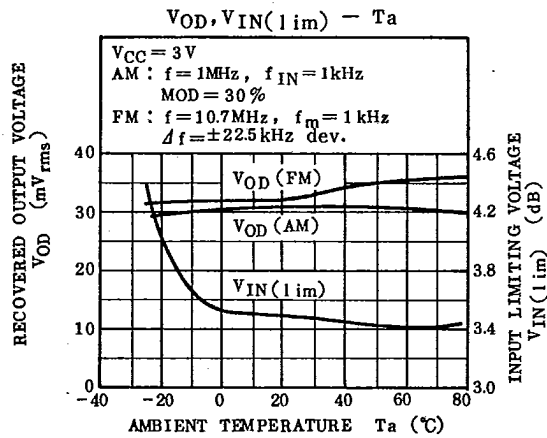
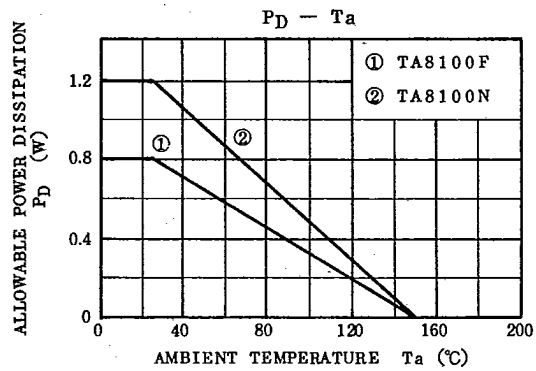
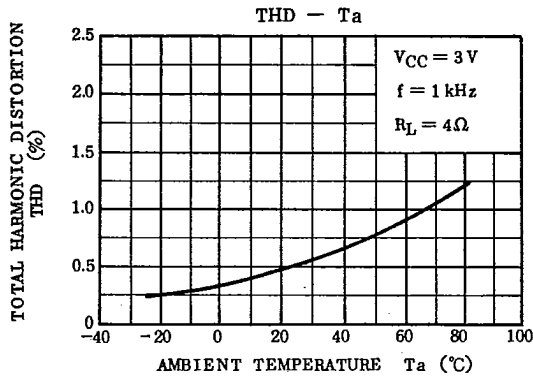
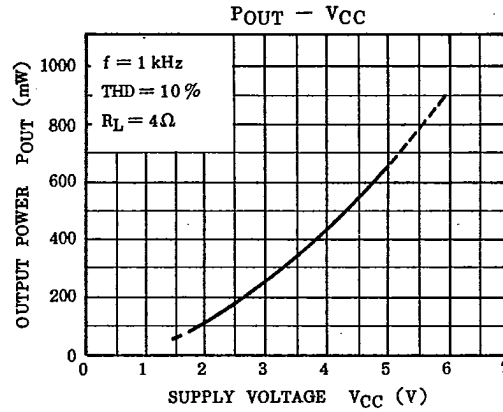
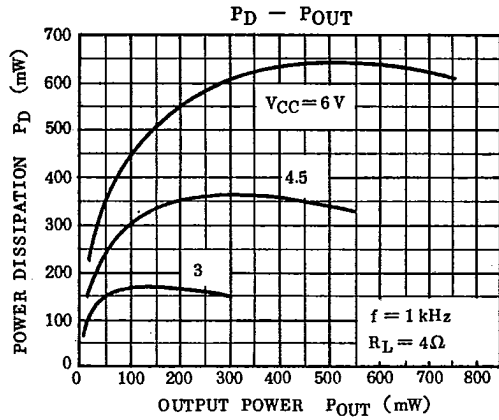
T-77-05-07



TOSHIBA

TA8100N/F

T-77-05-07



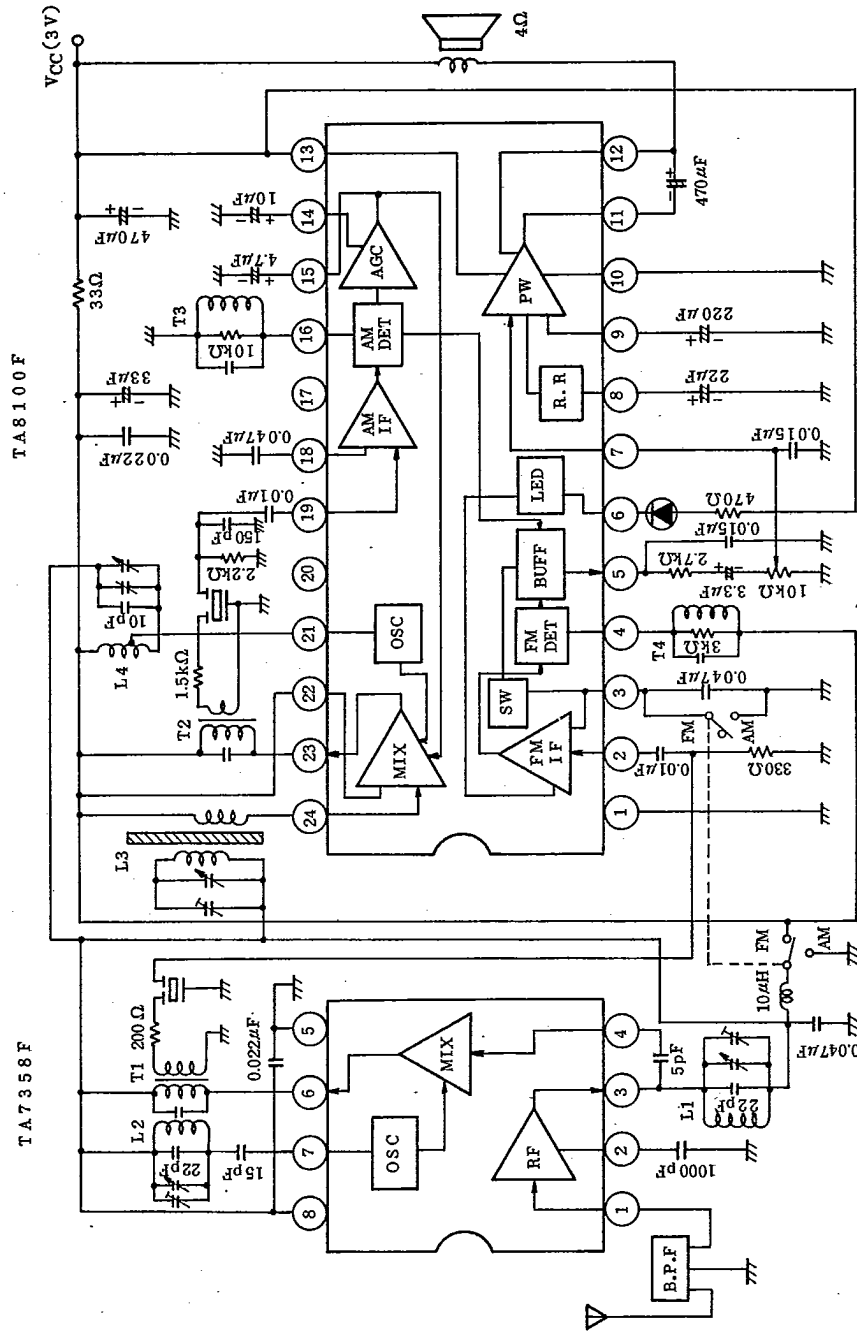
AUDIO LINEAR IC

TA8100N/F

T-77-05-07

APPLICATION CIRCUIT

3V AM/FM RADIO CIRCUIT (for example)

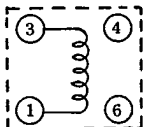


TA8100N/F

T-77-05-07

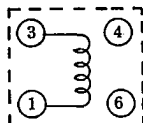
COIL DATA (APPLICATION CIRCUIT)

L1 : FM RF COIL



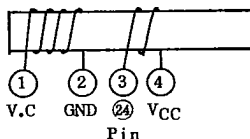
f (MHz)	L(μH)	Q _o	URNS	WIRE (mm)
100	0.06	100	1-3 2 $\frac{1}{4}$	0.5 UEW

L2 : FM OSC COIL



f (MHz)	L(μH)	Q _o	URNS	WIRE (mm)
100	0.045	100	3-1 1 $\frac{3}{4}$	0.5 UEW

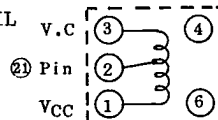
L3 : AM ANT COIL



f (kHz)	L(μH)	Q _o	URNS		WIRE (mm)
796	600	200	1-2	3-4	7/0.07 USTC

CORE : 10mmφ × 80mm

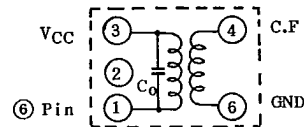
L4 : AM OSC COIL



f (kHz)	L(μH)	Q _o	URNS		WIRE (mm)
796	268	90	1-2	2-3	0.08 UEW

MITSUMI YT20582, SUMIDA 2157-2239-213A

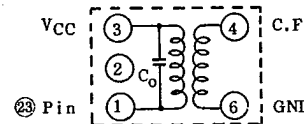
T1 : FM IFT



f (MHz)	C _o (pF)	Q _o	URNS		WIRE (mm)
10.7	82	90	6-4	3-1	0.12 UEW

MITSUMI YT20580, SUMIDA 2153-414-041(5821)

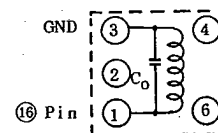
T2 : AM IFT



f (kHz)	C _o (pF)	Q _o	URNS		WIRE (mm)
455	330	110	4-6	1-3	0.07 UEW

MITSUMI YT20583

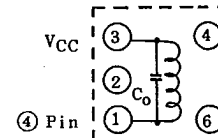
T3 : AM DET



f (kHz)	C _o (pF)	Q _o	URNS		WIRE (mm)
455	330	105	3-1		0.06 UEW

SUMIDA 2150-2083-061(4838)

T4 : FM DET



f (MHz)	C _o (pF)	Q _o	URNS		WIRE (mm)
10.7	150	100	1-3		0.12 UEW

SUMIDA 2153-4095-331

AUDIO LINEAR IC