

Si PIN photodiode S9055 series

Flat response characteristics up to high frequency bands



S9055 series Si PIN photodiodes deliver a high-speed response exceeding 1 GHz at low bias voltage ($V_R=2$ V). Their low capacitance (less than 1 pF) makes them ideal for combination with high-speed trans-impedance amplifiers.

Features

- Flat response characteristics up to high frequency bands
Frequency flatness: -0.5 dB Max.
($V_R=2$ V, $\lambda=830$ nm, $f=100$ MHz)
- High-speed response
S9055: 1.5 GHz ($V_R=2$ V, -3 dB)
S9055-01: 2 GHz ($V_R=2$ V, -3 dB)
- Low capacitance
S9055: 0.8 pF ($V_R=2$ V)
S9055-01: 0.5 pF ($V_R=2$ V)
- Highly reliable package: 3-pin TO-18 package

Applications

- Optical fiber communications
- High-speed measurement system
- Optical inter-connection

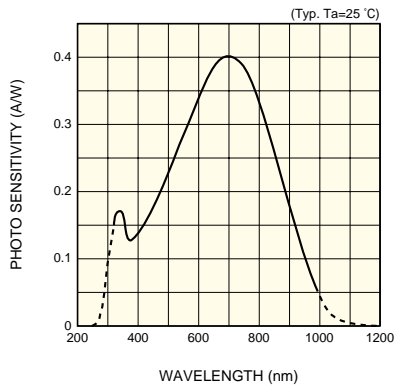
■ General rating / absolute maximum ratings ($T_a=25$ °C)

Parameter	Symbol	S9055	S9055-01	Unit
Active area	-	$\phi 0.2$	$\phi 0.1$	mm
Reverse voltage	V_R Max.	20		V
Operating temperature	T_{opr}	-40 to +100		°C
Storage temperature	T_{stg}	-55 to +125		°C

■ Electrical and optical characteristics ($T_a=25$ °C)

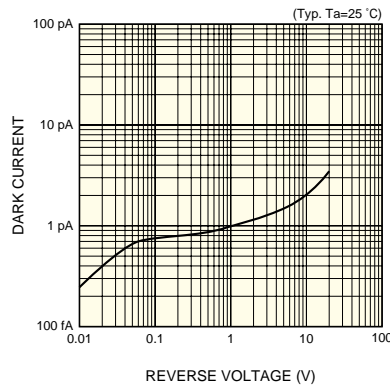
Parameter	Symbol	Condition	S9055			S9055-01			Unit
			Min.	Typ.	Max.	Min.	Typ.	Max.	
Spectral response range	λ		320 to 1000			320 to 1000			nm
Peak sensitivity wavelength	λ_p		-	700	-	-	700	-	nm
Photo sensitivity	S	$\lambda=850$ nm	0.2	0.25	-	0.2	0.25	-	A/W
Dark current	I_D	$V_R=2$ V	-	1	100	-	1	100	pA
Terminal capacitance	C_t	$V_R=2$ V, $f=1$ MHz	-	0.8	1.2	-	0.5	0.75	pF
Cut-off frequency	f_c	$V_R=2$ V, $R_L=25$ Ω -3dB	1.0	1.5	-	1.5	2	-	GHz
Frequency flatness	-	$V_R=2$ V, $\lambda=850$ nm $f=100$ MHz	-	-	-0.5	-	-	-0.5	dB

Spectral response



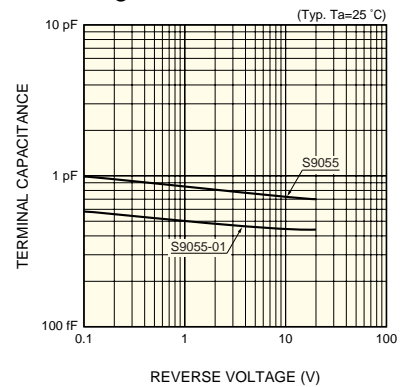
KPINB0274EA

Dark current vs. reverse voltage



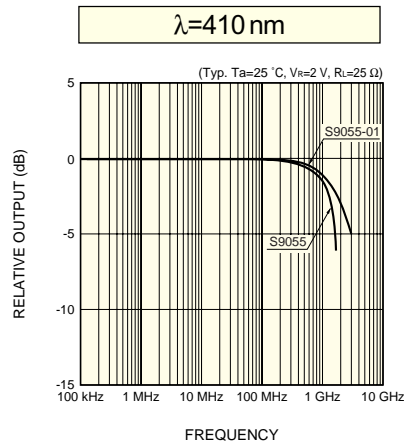
KPINB0275EB

Terminal capacitance vs. reverse voltage

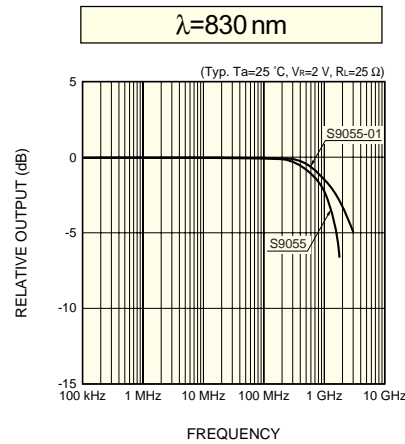


KPINB0276EB

Frequency characteristics

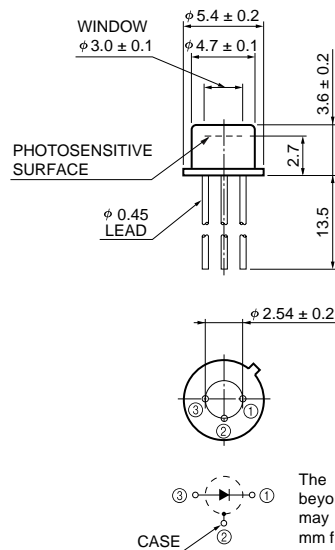


KPINB0277EB



KPINB0278EB

Dimensional outline (unit: mm)



KPINA0071EA

HAMAMATSU

Information furnished by HAMAMATSU is believed to be reliable. However, no responsibility is assumed for possible inaccuracies or omissions. Specifications are subject to change without notice. No patent rights are granted to any of the circuits described herein. ©2006 Hamamatsu Photonics K.K.

HAMAMATSU PHOTONICS K.K., Solid State Division

1126-1 Ichino-cho, Higashi-ku, Hamamatsu City, 435-8558 Japan, Telephone: (81) 53-434-3311, Fax: (81) 53-434-5184, www.hamamatsu.com

U.S.A.: Hamamatsu Corporation: 360 Foothill Road, P.O.Box 6910, Bridgewater, N.J. 08807-0910, U.S.A., Telephone: (1) 908-231-0960, Fax: (1) 908-231-1218

Germany: Hamamatsu Photonics Deutschland GmbH: Arzbergerstr. 10, D-82211 Herrsching am Ammersee, Germany, Telephone: (49) 08152-3750, Fax: (49) 08152-2658

France: Hamamatsu Photonics France S.A.R.L.: 19, Rue du Saule Trapu, Parc du Moulin de Massy, 91882 Massy Cedex, France, Telephone: 33-(1) 69 53 71 00, Fax: 33-(1) 69 53 71 10

United Kingdom: Hamamatsu Photonics UK Limited: 2 Howard Court, 10 Tewin Road, Welwyn Garden City, Hertfordshire AL7 1BW, United Kingdom, Telephone: (44) 1707-294888, Fax: (44) 1707-325777

North Europe: Hamamatsu Photonics Norden AB: Smidesvägen 12, SE-171 41 Solna, Sweden, Telephone: (46) 8-509-031-00, Fax: (46) 8-509-031-01

Italy: Hamamatsu Photonics Italia S.R.L.: Strada della Moia, 1/E, 20020 Arese, (Milano), Italy, Telephone: (39) 02-935-81-733, Fax: (39) 02-935-81-741