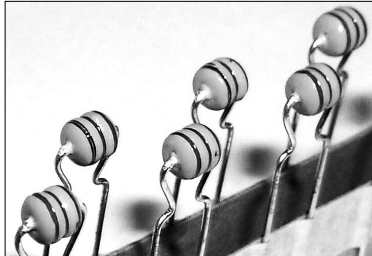


RADIAL LEADED INDUCTORS

■ OPERATING TEMP

-25 ~ +85°C (Including self-generated heat)



■ FEATURES

- The RD Series inductors are available in 3 form factors range from 35 to 45.
- For small current applications

■ APPLICATION

Consumer electronics such as VCR, TV and Monitor other electronic equipment.

RD

1

35

2

101

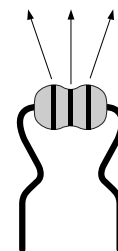
3

K

4

■ MARKING

1 2 3



RADIAL LEADED INDUCTORS

■ ORDERING CODE

1 TYPE	
RD	Radial Leaded Inductor

2 TYPE DIMENSION	
35	6.0 × 4.0
40	8.0 × 5.0
45	9.5 × 6.0

3 MARKING INDUCTANCE	
R22	0.22μH
1R5	1.5μH
120	12μH

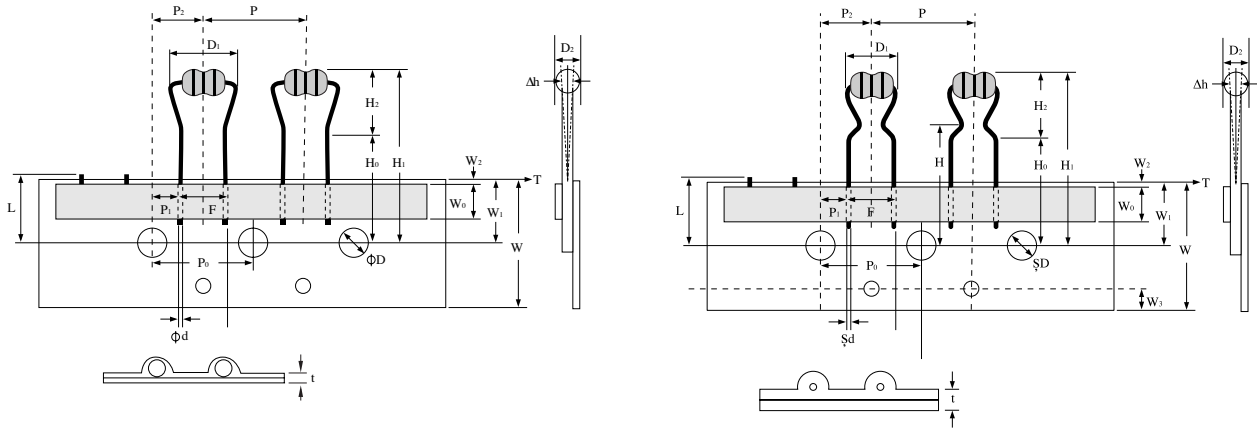
4 INDUCTANCE TOLERANCE	
J	± 5%
K	± 10%

Color	Inductance[μH]		
	1st Digit	2nd Digit	Multiplier
	1	2	3
Black	0		× 1
Brown	1		× 10
Red	2		× 100
Orange	3		× 1000
Yellow	4		-
Green	5		-
Blue	6		-
Purple	7		-
Grey	8		-
White	9		-
Gold	-		× 0.1
Silver	-		× 0.01

Specifications given herein may be changed at any time without prior notice. Please confirm technical specifications before your order and/or use.

RADIAL LEADED INDUCTORS

■ TAPING DIMENSIONS



Note 1. No more than 3 consecutive pieces can be omitted.

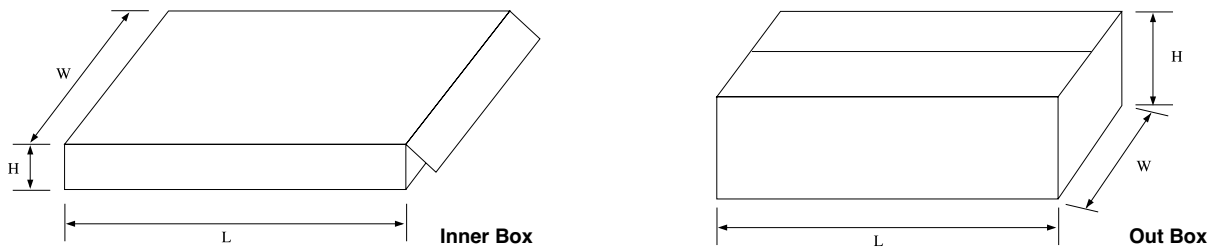
Unit: mm

Symbol	Dimensions			
	RD35H	RD35	RD40	RD45
D1	7.5max.	6.0max.	8.0max.	9.5max.
D2	4.0max.	4.0max.	5.0max.	6.0max.
H1	26max.	26max.	27.5max.	27.5max.
H2	5max.	9max.	10.5max.	10.5max.
H0	6.5 ≤ H0 - W1			
P	12.7 ± 1.0			
P0	12.7 ± 0.3			
P1	3.85 ± 0.5			
P2	6.35 ± 1.3			
F	5.0 ^{+0.8} _{-0.3}		5.0 ^{+0.6} _{-0.2}	
Δh	0.0 ± 2.0			
W	18 ^{+1.0} _{-0.5}			
W0	6.0 ± 0.1			
W1	9 ^{+0.75} _{-0.5}		9 ^{+1.0} _{-0.5}	
W2	T ≥ W2			
ØD	4.0 ± 0.3			
Ød	0.50 ± 0.05		0.60 ± 0.05	
L	11.0max.			
t	0.5 ± 2.0			

P0: Accumulated error for 20 pitches is ± 1mm

W2: Bonding tape must not protrude from the base tape.

■ PACKAGING



Type	Inner Box		Out Box			Item
	Size(mm) (W×H×L)	Quantity	Size(mm) (W×H×L)	Quantity	Wtight	
RD Series	187×40×325	2,000	340×255×580	36,000	12Kg	RD35
		1,000		18,000	10Kg	RD40
		1,500		27,000	18Kg	RD45
		2,000		36,000	12Kg	RD35H

■ AVAILABLE INDUCTANCE RANGE

Type		0.22	1μH	10μH	100μH	1,000μH	10,000μH	20,000μH	
RD35	I _{max} .(mA)	1,000	790	460	150	55			
	Inductance(μH)	[REDACTED]					1,000μH		
	R _{dc} (mΩ)	0.09	0.17	0.45	3.3	28			
RD40	I _{max} .(mA)	816	707	353	174	48			
	Inductance(μH)	[REDACTED]					2,200μH		
	R _{dc} (mΩ)	0.15	0.2	0.8	3.3	42			
RD45	I _{max} .(mA)			780	260	85	21		
	Inductance(μH)			[REDACTED]				15,000μH	
	R _{dc} (mΩ)			0.19	0.85	8.9	160		
RD35H	I _{max} .(mA)	1,000	790	460	150	56			
	Inductance(μH)	[REDACTED]					1,000μH		
	R _{dc} (mΩ)	0.09	0.17	0.45	3.3	31.5			

ITEM PART NUMBERS

● RD35

Ordering Code	Inductance [μH]	Inductance Tolerance	Q (min.)	Measuring Frequency [MHz]	Self-Resonant Frequency [MHz] (min.)	DC Resistance [Ω] (max.)	Rated Current [mA] (max.)
RD35R22K	0.22	± 10% (± 5%)	50	25.2	170	0.09	1000
RD35R27K	0.27				160	0.10	980
RD35R33K	0.33				140	0.11	960
RD35R39K	0.39				130	0.12	940
RD35R47K	0.47				120	0.13	910
RD35R56K	0.56				110	0.14	880
RD35R68K	0.68				100	0.15	850
RD35R82K	0.82				90	0.16	820
RD351R0K	1.0				82	0.17	790
RD351R2K	1.2				70	0.18	760
RD351R5K	1.5			65	0.20	730	
RD351R8K	1.8			57	0.22	700	
RD352R2K	2.2			47	0.24	670	
RD352R7K	2.7			40	0.26	640	
RD353R3K	3.3			35	0.28	610	
RD353R9K	3.9			33	0.30	580	
RD354R7K	4.7			31	0.33	560	
RD355R6K	5.6			27	0.36	540	
RD356R8K	6.8			24	0.39	520	
RD358R2K	8.2			22	0.42	490	
RD35100K	10			21	0.45	460	
RD35120K	12			18	1.2	350	
RD35150K	15			16	1.3	330	
RD35180K	18			14	1.4	300	
RD35220K	22			13	1.5	270	
RD35270K	27			12	1.6	250	
RD35330K	33			11	1.8	235	
RD35390K	39			10	2.0	220	
RD35470K	47			9.5	2.2	200	
RD35560K	56			9.0	2.4	190	
RD35680K	68			8.5	2.8	170	
RD35820K	82			8.0	3.0	155	
RD35101K	100			7.5	3.3	150	
RD35121K	120			6.8	4.2	140	
RD35151K	150			6.2	5.0	130	
RD35181K	180			5.6	6.0	125	
RD35221K	220			5.0	7.5	120	
RD35271K	270			4.6	11	105	
RD35331K	330			4.2	13	95	
RD35391K	390			3.8	15	90	
RD35471K	470	3.4	17	80			
RD35561K	560	3.0	19	75			
RD35681K	680	2.6	22	68			
RD35821K	820	2.2	25	60			
RD35102K	1000	2.0	28	55			

● RD35H

Ordering Code	Inductance [μ H]	Inductance Tolerance	Q (min.)	Measuring Frequency [MHz]	Self-Resonant Frequency [MHz] (min.)	DC Resistance [Ω] (max.)	Rated Current [mA] (max.)
RD35T-R22K-H	0.22	$\pm 10\%$ ($\pm 5\%$)	50	25.2	170.0	0.09	1000
RD35T-R27K-H	0.27				160.0	0.10	980
RD35T-R33K-H	0.33				140.0	0.11	960
RD35T-R39K-H	0.39				130.0	0.12	940
RD35T-R47K-H	0.47				120.0	0.13	910
RD35T-R56K-H	0.56				110.0	0.14	880
RD35T-R68K-H	0.68				100.0	0.15	850
RD35T-R82K-H	0.82				90.0	0.16	820
RD35T-1R0J-H	1.0				82.0	0.17	790
RD35T-1R2J-H	1.2				70.0	0.18	760
RD35T-1R5J-H	1.5			65.0	0.20	730	
RD35T-1R8J-H	1.8			57.0	0.22	700	
RD35T-2R2J-H	2.2			47.0	0.24	670	
RD35T-2R7J-H	2.7			40.0	0.26	640	
RD35T-3R3J-H	3.3			35.0	0.28	610	
RD35T-3R9J-H	3.9			33.0	0.30	580	
RD35T-4R7J-H	4.7			31.0	0.33	560	
RD35T-5R6J-H	5.6			27.0	0.36	540	
RD35T-6R8J-H	6.8			24.0	0.39	520	
RD35T-8R2J-H	8.2			22.0	0.42	490	
RD35T-100J-H	10			21.0	0.45	460	
RD35T-120J-H	12			18.0	1.2	350	
RD35T-150J-H	15			16.0	1.3	330	
RD35T-180J-H	18			14.0	1.4	300	
RD35T-220J-H	22			13.0	1.5	270	
RD35T-270J-H	27			12.0	1.6	250	
RD35T-330J-H	33			11.0	1.8	235	
RD35T-390J-H	39			10.0	2.0	220	
RD35T-470J-H	47			9.5	2.2	200	
RD35T-560J-H	56			9.0	2.4	190	
RD35T-680J-H	68			8.5	2.8	170	
RD35T-820J-H	82			8.0	3.0	155	
RD35T-101K-H	100			7.5	3.3	150	
RD35T-121K-H	120			6.8	4.2	140	
RD35T-151K-H	150			6.2	5.0	130	
RD35T-181K-H	180			5.6	6.0	125	
RD35T-221K-H	220			5.0	7.5	120	
RD35T-271K-H	270			4.6	11.0	105	
RD35T-331K-H	330			4.2	13.0	95	
RD35T-391K-H	390			3.8	15.0	90	
RD35T-471K-H	470	3.4	17.0	80			
RD35T-561K-H	560	2.4	21.0	69			
RD35T-681K-H	680	2.2	23.5	65			
RD35T-821K-H	820	2.0	26.5	61			
RD35T-102K-H	1000	25	0.252	1.8	31.5	56	

RADIAL LEADED
INDUCTORS

ITEM PART NUMBERS

● RD40

Ordering Code	Inductance [μ H]	Inductance Tolerance	Q (min.)	Measuring Frequency [MHz]	Self-Resonant Frequency [MHz] (min.)	DC Resistance [Ω] (max.)	Rated Current [mA] (max.)
RD40R22K	0.22	$\pm 10\%$ ($\pm 5\%$)	50	25.2	150	0.15	816
RD40R27K	0.27				150	0.15	816
RD40R33K	0.33				150	0.15	816
RD40R39K	0.39				130	0.15	816
RD40R47K	0.47				130	0.15	816
RD40R56K	0.56				130	0.20	707
RD40R68K	0.68				120	0.20	707
RD40R82K	0.82				120	0.20	707
RD401R0K	1.0			100	0.20	707	
RD401R2K	1.2			85	0.20	707	
RD401R5K	1.5			70	0.22	674	
RD401R8K	1.8			60	0.22	674	
RD402R2K	2.2			55	0.25	632	
RD402R7K	2.7			50	0.27	608	
RD403R3K	3.3			45	0.30	577	
RD403R9K	3.9			40	0.32	559	
RD404R7K	4.7			35	0.35	534	
RD405R6K	5.6			33	0.37	519	
RD406R8K	6.8			27	0.40	500	
RD408R2K	8.2			25	0.45	471	
RD40100K	10			20	0.80	353	
RD40120K	12			18	0.90	333	
RD40150K	15			17	1.0	316	
RD40180K	18			15	1.2	288	
RD40220K	22			13	1.4	267	
RD40270K	27			11	1.7	242	
RD40330K	33			10.5	2.0	223	
RD40390K	39			10.0	2.4	204	
RD40470K	47		9.5	2.7	192		
RD40560K	56		9.0	2.9	185		
RD40680K	68		8.5	3.1	179		
RD40820K	82		7.5	3.3	174		
RD40101K	100		6.8	3.3	174		
RD40121K	120		6.2	3.5	169		
RD40151K	150		5.7	3.7	164		
RD40181K	180		5.3	4.0	158		
RD40221K	220		4.0	5.2	138		
RD40271K	270		3.6	5.8	131		
RD40331K	330		3.3	6.5	124		
RD40391K	390		3.0	7.5	115		
RD40471K	470		2.8	8.0	111		
RD40561K	560		2.4	12.5	89		
RD40681K	680	2.2	14.0	84			
RD40821K	820	2.0	15.5	80			
RD40102K	1000	40	1.8	18.5	73		
RD40122K	1200	30	0.252	1.7	29.0	58	
RD40152K	1500			1.5	34.0	54	
RD40182K	1800			1.4	37.0	51	
RD40222K	2200			1.2	32.0	48	

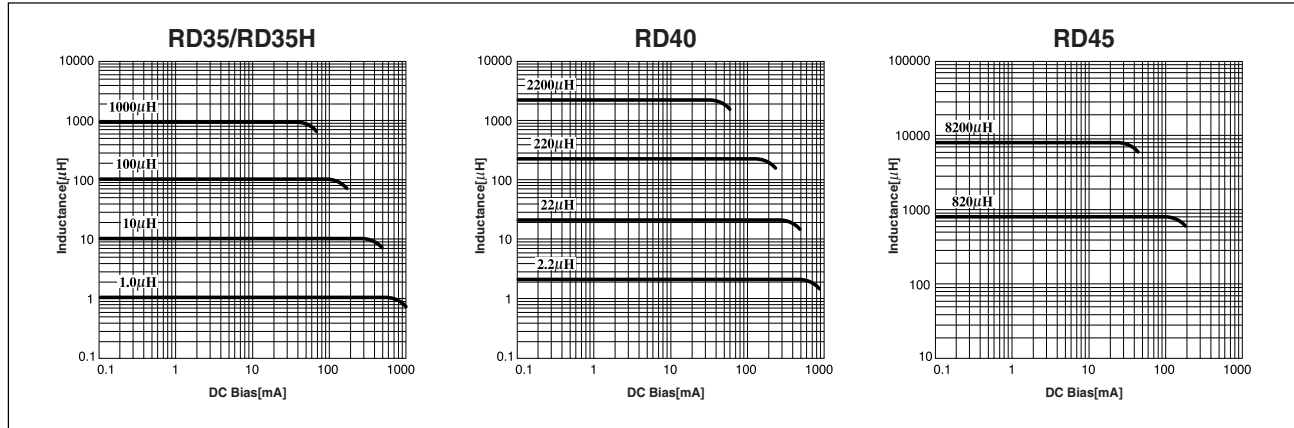
● RD45

Ordering Code	Inductance [μ H]	Inductance Tolerance	Q (min.)	Measuring Frequency [MHz]	Self-Resonant Frequency [MHz] (min.)	DC Resistance [Ω] (max.)	Rated Current [mA] (max.)
RD45 100K	10	$\pm 10\%$ ($\pm 5\%$)	20	2.52	17.0	0.19	780
RD45 120K	12				14.0	0.22	730
RD45 150K	15				12.0	0.24	650
RD45 180K	18				10.5	0.26	610
RD45 220K	22				10.0	0.29	540
RD45 270K	27				9.5	0.32	480
RD45 330K	33				8.5	0.34	440
RD45 390K	39				8.0	0.42	410
RD45 470K	47				7.0	0.47	375
RD45 560K	56				6.8	0.52	340
RD45 680K	68				6.5	0.58	320
RD45 820K	82				6.3	0.64	285
RD45 101K	100		25	0.796	6.0	0.85	260
RD45 121K	120				5.4	1.00	240
RD45 151K	150				4.8	1.20	215
RD45 181K	180				4.0	1.50	195
RD45 221K	220				3.9	1.65	180
RD45 271K	270				3.6	2.15	160
RD45 331K	330				3.3	2.90	145
RD45 391K	390				3.0	3.25	135
RD45 471K	470				2.8	4.05	125
RD45 561K	560				2.4	4.45	115
RD45 681K	680				2.2	5.85	105
RD45 821K	820				2.0	6.60	90
RD45 102K	1000		45	0.252	1.8	8.90	85
RD45 122K	1200				1.7	10.5	75
RD45 152K	1500				1.5	11.9	70
RD45 182K	1800				1.3	16.5	60
RD45 222K	2200				1.2	19.0	58
RD45 272K	2700				0.8	32.0	52
RD45 332K	3300				0.7	34.0	48
RD45 392K	3900				0.7	38.0	45
RD45 472K	4700				0.6	56.0	40
RD45 562K	5600	0.5			63.0	37	
RD45 682K	6800	0.4			70.0	34	
RD45 822K	8200	0.4			77.0	31	
RD45 103K	10000	25	0.0796	0.3	95.0	28	
RD45 123K	12000			0.2	110.0	25	
RD45 153K	15000			20	0.1	160.0	21

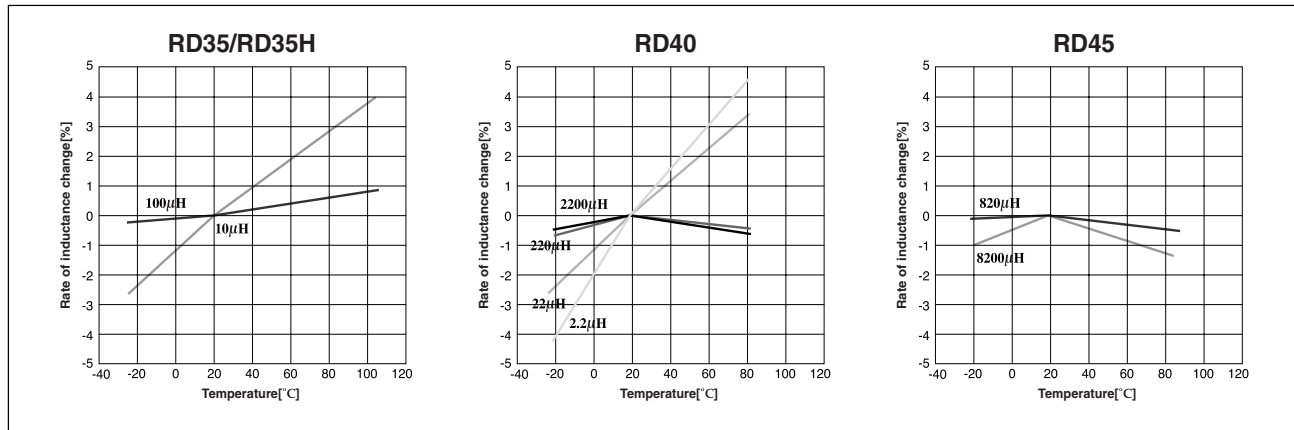
RADIAL LEADED
INDUCTORS

ELECTRICAL CHARACTERISTICS

● DC Bias Characteristics (Measured by HP4284A + HP42841A)



● Temperature Characteristics (Measured by HP4284A + HP42841A)



● Q-Characteristics (Measured by HP 4285A + HP 42851A)

