

PLEASE CHECK WWW.MOLEX.COM FOR LATEST PART INFORMATION

Part Number: [0010845150](#)
Status: **Active**
Overview: [mlx](#)
Description: 6.35mm (.250) Pitch MLX™ Power Connector Header, Vertical, 15 Circuits, Polyester 94V-0, Tin (Sn) Plating, White

Documents:

[3D Model](#) [Product Specification PS-42022-0001 \(PDF\)](#)
[Drawing \(PDF\)](#) [RoHS Certificate of Compliance \(PDF\)](#)

Agency Certification

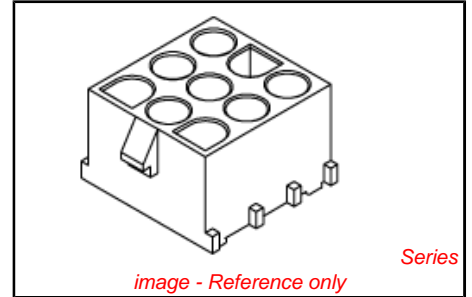
CSA LR19980
 UL E29179

General

Product Family PCB Headers
 Series 42002
 Application Wire-to-Board
 Comments Solder Type
 Overview [mlx](#)
 Product Name MLX™

Physical

Breakaway No
 Circuits (Loaded) 15
 Circuits (maximum) 15
 Color - Resin Natural
 Durability (mating cycles max) 50
 First Mate / Last Break No
 Flammability 94V-0
 Glow-Wire Compliant No
 Guide to Mating Part Yes
 Keying to Mating Part Yes
 Lock to Mating Part Yes
 Material - Metal Phosphor Bronze
 Material - Plating Mating Tin
 Material - Resin Polyester
 Number of Rows 3
 Orientation Vertical
 PC Tail Length (in) 0.168 In
 PC Tail Length (mm) 4.27 mm
 PCB Retention Yes
 PCB Thickness Recommended (in) 0.062 In
 PCB Thickness Recommended (mm) 1.60 mm
 Packaging Type Bag
 Pitch - Mating Interface (in) 0.250 In
 Pitch - Mating Interface (mm) 6.35 mm
 Pitch - Term. Interface (in) 0.250 In
 Pitch - Term. Interface (mm) 6.35 mm
 Polarized to Mating Part Yes
 Polarized to PCB Yes
 Shrouded Fully
 Stackable No
 Surface Mount Compatible (SMC) No
 Temperature Range - Operating -55°C to +105°C
 Termination Interface: Style Through Hole



EU RoHS

ELV and RoHS Compliant
REACH SVHC Contains SVHC: No
Halogen-Free Status Not Reviewed

China RoHS



Need more information on product environmental compliance?

Email productcompliance@molex.com
 For a multiple part number RoHS Certificate of Compliance, [click here](#)

Please visit the [Contact Us](#) section for any non-product compliance questions.

Search Parts in this Series
[42002Series](#)

Mates With
[42021 Plug](#)

Electrical

Current - Maximum per Contact 13.5A
Voltage - Maximum 600V

Solder Process Data

Duration at Max. Process Temperature (seconds) 10
Lead-free Process Capability Wave Capable (TH only)
Process Temperature max. C 260

Material Info

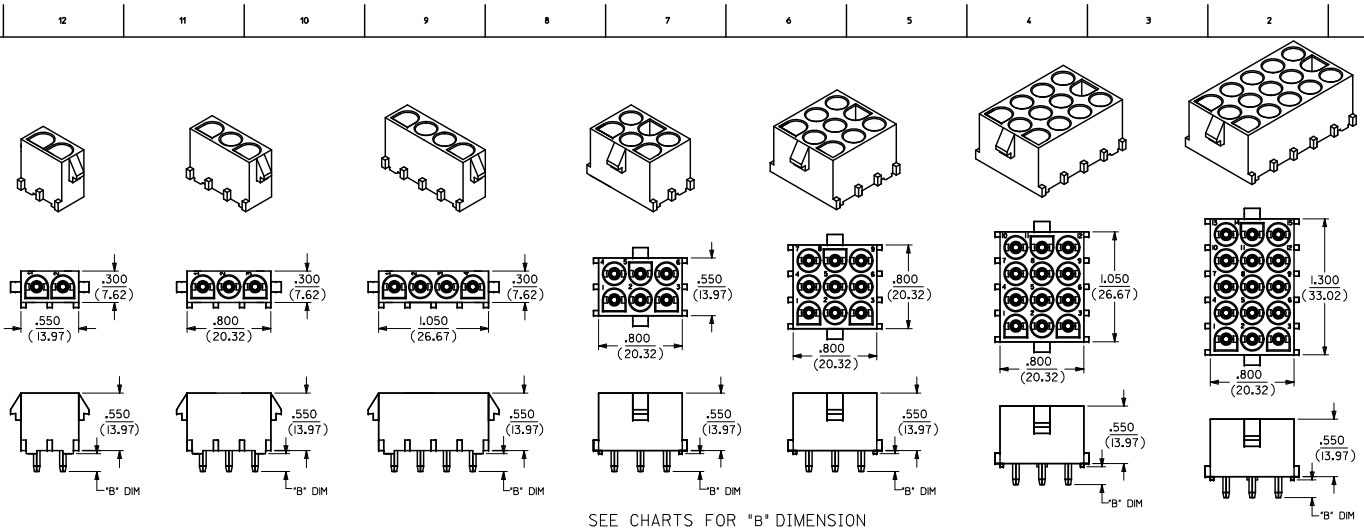
Old Part Number 42002-15C1A1

Reference - Drawing Numbers

Packaging Specification PK-43255-003
Product Specification PS-42022-0001
Sales Drawing SDA-42002-*****

This document was generated on 05/24/2010

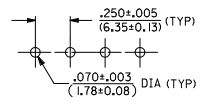
PLEASE CHECK WWW.MOLEX.COM FOR LATEST PART INFORMATION



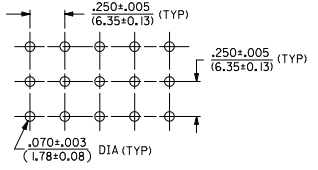
SEE CHARTS FOR "B" DIMENSION

P.C. BOARD MOUNTING DIMENSIONS

2, 3, & 4 POSITION HEADER ASSEMBLIES



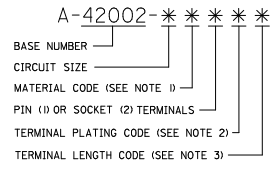
6, 9, 12 & 15 POSITION HEADER ASSEMBLIES



NOTES:

- 1) MATERIAL CODES:
 - *A*= NYLON 6/6, 94V-2, NATURAL
 - *C*= PLOYESTER, 94V-0, WHITE/NATURAL
 - *D*= NYLON V-2
 - COLOUR:BLACK(2YTEL 101F)
 - *E*= NYLON V-2
 - COLOUR:NATURAL
 - GLOWWIRE COMPATIBLE WITH CTI OF 325V
- 2) PLATING CODES:
 - A = ES-88-P921
- 3) TERMINAL LENGTH CODES:
 - I= TERMINAL FOR .062/(1.57) THICK PC BOARD
- 4) DIMENSIONS ARE FOR REFERENCE ONLY UNLESS INDICATED OTHERWISE.
- 5) HEADER ASSEMBLY HOUSINGS MATE WITH : PLUG HOUSINGS, .084/(2.13) DIA. SERIES: (42021-***)
- 6) CONTACTS ARE ON .250/(6.35) GRID CENTERLINE SPACING.

LEGEND:



| | | | | | | |
|---|-----------------|---------------------------------------|--|---|-------------------------|------------------------|
| ENTER DESCRIPTION IEC NO: 12010-0067 DRAWNS:SN01 2009/11/02 CHKCD:GJLWME 2010/01/27 APPR:KPRASAD 2010/01/27 DESCRIPTION REV | QUALITY SYMBOLS | GENERAL TOLERANCES (UNLESS SPECIFIED) | DIMENSION STYLE IN/MM | SCALE NTS | DESIGN UNITS INCH | THIRD ANGLE PROJECTION |
| | ▽=0 | 4 PLACES ± --- ± --- | DRAWN BY SSUDHIR DATE 2004/06/08 | TITLE | HEADER HOUSING ASSEMBLY | |
| | ▽=0 | 3 PLACES ± --- ± .005 | CHECKED BY GJLOWE DATE 2004/06/08 | | .084/(2.13)DIA.SERIES | |
| | ▽=0 | 2 PLACES ± 0.13 ± .010 | APPROVED BY GJLOWE DATE 2004/06/08 | | | |
| | | 1 PLACE ± 0.25 ± --- | ANGULAR ± --- ° | MATERIAL NO. | DOCUMENT NO. | SHEET NO. |
| | | | DRAFT WHERE APPLICABLE MUST REMAIN WITHIN DIMENSIONS | SEE CHART | SDA-42002-***** | 1 OF 2 |
| | | | | THIS DRAWING CONTAINS INFORMATION THAT IS PROPRIETARY TO MOLEX INCORPORATED AND SHOULD NOT BE USED WITHOUT WRITTEN PERMISSION | | |

20 19 18 17 16 15 14 13 12 11 10 9 8 7 6 5 4 3 2 1

| PART NO. | ENG. NO. | CIRCUIT SIZE | MATERIAL (SEE NOTE 1) | INSULATOR PART NO. | PLATING (SEE NOTE 2) | TERMINAL PART NO. | *B* DIM ±.015 |
|------------|------------------|--------------|-----------------------|--------------------|----------------------|-------------------|---------------|
| 10-84-4020 | A-42002-2A IA I | 2 | A | 42002-2A | A | 42005-P921A | .17/(4,3) |
| 10-84-5020 | A-42002-2C IA I | | C | 42002-2C | A | 42005-P921A | |
| 10-84-4022 | A-42002-2A2A I | | A | 42002-2A | A | 42006-P921A | |
| 10-84-5021 | A-42002-2C2A I | | C | 42002-2C | A | 42006-P921A | |
| 36759011 | 36759-0101 | | D | 366480042 | A | 42005-P921A | |
| 36759014 | 36759-0141 | D | 366480042 | A | 42006-P921A | | |
| 36757011 | 36757-0101 | E | 367570001 | A | 42005-P921A | | |
| 36757014 | 36757-0141 | E | 367570001 | A | 42006-P921A | | |
| 10-84-4030 | A-42002-3A IA I | 3 | A | 42002-3A | A | 42005-P921A | .17/(4,3) |
| 10-84-5030 | A-42002-3C IA I | | C | 42002-3C | A | 42005-P921A | |
| 10-84-4032 | A-42002-3A2A I | | A | 42002-3A | A | 42006-P921A | |
| 10-84-5031 | A-42002-3C2A I | | C | 42002-3C | A | 42006-P921A | |
| 36759012 | 36759-0102 | | D | 366480043 | A | 42005-P921A | |
| 36757012 | 36757-0102 | E | 367570002 | A | 42005-P921A | | |
| 36757014 | 36757-0142 | E | 367570002 | A | 42006-P921A | | |
| 10-84-4040 | A-42002-4A IA I | 4 | A | 42002-4A | A | 42005-P921A | .17/(4,3) |
| 10-84-5040 | A-42002-4C IA I | | C | 42002-4C | A | 42005-P921A | |
| 10-84-4042 | A-42002-4A2A I | | A | 42002-4A | A | 42006-P921A | |
| 10-84-5041 | A-42002-4C2A I | | C | 42002-4C | A | 42006-P921A | |
| 36759013 | 36759-0103 | | D | 366480044 | A | 42005-P921A | |
| 36759014 | 36759-0143 | D | 366480044 | A | 42006-P921A | | |
| 36757013 | 36757-0103 | E | 367570003 | A | 42005-P921A | | |
| 36757014 | 36757-0143 | E | 367570003 | A | 42006-P921A | | |
| 10-84-4060 | A-42002-6A IA I | 6 | A | 42002-6A | A | 42005-P921A | .17/(4,3) |
| 10-84-5060 | A-42002-6C IA I | | C | 42002-6C | A | 42005-P921A | |
| 10-84-4062 | A-42002-6A2A I | | A | 42002-6A | A | 42006-P921A | |
| 10-84-5061 | A-42002-6C2A I | | C | 42002-6C | A | 42006-P921A | |
| 36759014 | 36759-0104 | | D | 366480045 | A | 42005-P921A | |
| 36759014 | 36759-0144 | D | 366480045 | A | 42006-P921A | | |
| 36757014 | 36757-0144 | E | 367570004 | A | 42005-P921A | | |
| 36757014 | 36757-0144 | E | 367570004 | A | 42006-P921A | | |
| 10-84-4090 | A-42002-9A IA I | 9 | A | 42002-9A | A | 42005-P921A | .17/(4,3) |
| 10-84-5090 | A-42002-9C IA I | | C | 42002-9C | A | 42005-P921A | |
| 10-84-4092 | A-42002-9A2A I | | A | 42002-9A | A | 42006-P921A | |
| 10-84-5091 | A-42002-9C2A I | | C | 42002-9C | A | 42006-P921A | |
| 36759015 | 36759-0105 | | D | 366480046 | A | 42005-P921A | |
| 36759014 | 36759-0145 | D | 366480046 | A | 42006-P921A | | |
| 36757015 | 36757-0105 | E | 367570005 | A | 42005-P921A | | |
| 36757015 | 36757-0145 | E | 367570005 | A | 42006-P921A | | |
| 10-84-4120 | A-42002-12A IA I | 12 | A | 42002-12A | A | 42005-P921A | .17/(4,3) |
| 10-84-5120 | A-42002-12C IA I | | C | 42002-12C | A | 42005-P921A | |
| 10-84-4122 | A-42002-12A2A I | | A | 42002-12A | A | 42006-P921A | |
| 10-84-5121 | A-42002-12C2A I | | C | 42002-12C | A | 42006-P921A | |
| 36759016 | 36759-0106 | | D | 366480047 | A | 42005-P921A | |
| 36759014 | 36759-0146 | D | 366480047 | A | 42006-P921A | | |
| 36757016 | 36757-0106 | E | 367570006 | A | 42005-P921A | | |
| 36757016 | 36757-0146 | E | 367570006 | A | 42006-P921A | | |
| 10-84-4150 | A-42002-15A IA I | 15 | A | 42002-15A | A | 42005-P921A | .17/(4,3) |
| 10-84-5150 | A-42002-15C IA I | | C | 42002-15C | A | 42005-P921A | |
| 10-84-4152 | A-42002-15A2A I | | A | 42002-15A | A | 42006-P921A | |
| 10-84-5151 | A-42002-15C2A I | | C | 42002-15C | A | 42006-P921A | |
| 36759017 | 36759-0107 | | D | 366480057 | A | 42005-P921A | |
| 36759014 | 36759-0147 | D | 366480057 | A | 42006-P921A | | |
| 36757017 | 36757-0107 | E | 367570007 | A | 42005-P921A | | |
| 36757014 | 36757-0147 | E | 367570007 | A | 42006-P921A | | |

| | | | | | | |
|---|-----------------|--|-----------------------|---|-------------------|--|
| ENTER DESCRIPTION 10-00-0000 2009/11/02 D1 CHKDCJLW 2010/01/27 APPROVED 2010/01/27 | QUALITY SYMBOLS | GENERAL TOLERANCES (UNLESS SPECIFIED) | DIMENSION STYLE IN/MM | SCALE NTS | DESIGN UNITS INCH | THIRD ANGLE PROJECTION |
| | ▽=0 | 4 PLACES ±.0005 ±.0005 | DRAWN BY SSUDHIR | DATE 2004/06/08 | TITLE | HEADING HOUSING ASSEMBLY .084/12.13/DIA.SERIES |
| | ▽=0 | 3 PLACES ±.013 ±.010 | CHECKED BY GJLOWE | DATE 2004/06/08 | MATERIAL NO. | MOLEX INCORPORATED |
| | ▽=0 | 1 PLACE ±0.25 ±.0005 | APPROVED BY GJLOWE | DATE 2004/06/08 | DOCUMENT NO. | SDA-42002-***** |
| REV | DESCRIPTION | DRAFT WHERE APPLICABLE MUST REMAIN WITH DIMENSIONS | SIZE A | THIS DRAWING CONTAINS INFORMATION THAT IS PROPRIETARY TO MOLEX INCORPORATED AND SHOULD NOT BE USED WITHOUT WRITTEN PERMISSION | | |