

**PLEASE CHECK WWW.MOLEX.COM FOR LATEST PART INFORMATION**

**Part Number:** [0010845020](#)  
**Status:** **Active**  
**Overview:** [mlx](#)  
**Description:** 6.35mm (.250) Pitch MLX™ Power Connector Header, Vertical, 2 Circuits, Polyester 94V-0, Tin (Sn) Plating, White

**Documents:**

[3D Model](#) [Product Specification PS-42022-0001 \(PDF\)](#)  
[Drawing \(PDF\)](#) [RoHS Certificate of Compliance \(PDF\)](#)

**Agency Certification**

CSA LR19980  
 UL E29179

**General**

Product Family PCB Headers  
 Series 42002  
 Application Wire-to-Board  
 Comments Solder Type  
 Overview [mlx](#)  
 Product Name MLX™

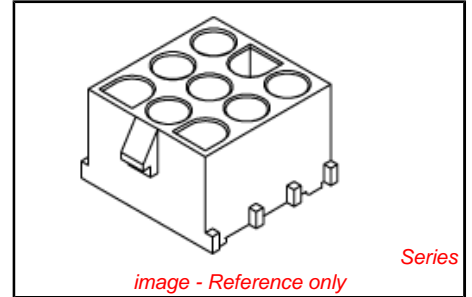
**Physical**

Breakaway No  
 Circuits (Loaded) 2  
 Circuits (maximum) 2  
 Color - Resin Natural  
 Durability (mating cycles max) 50  
 First Mate / Last Break No  
 Flammability 94V-0  
 Glow-Wire Compliant No  
 Guide to Mating Part Yes  
 Keying to Mating Part Yes  
 Lock to Mating Part Yes  
 Material - Metal Phosphor Bronze  
 Material - Plating Mating Tin  
 Material - Resin Polyester  
 Number of Rows 1  
 Orientation Vertical  
 PC Tail Length (in) 0.168 In  
 PC Tail Length (mm) 4.27 mm  
 PCB Retention Yes  
 PCB Thickness Recommended (in) 0.125 In  
 PCB Thickness Recommended (mm) 1.60 mm  
 Packaging Type Bag  
 Pitch - Mating Interface (in) 0.250 In  
 Pitch - Mating Interface (mm) 6.35 mm  
 Polarized to PCB Yes  
 Shrouded Fully  
 Surface Mount Compatible (SMC) No  
 Temperature Range - Operating -55°C to +105°C  
 Termination Interface: Style Through Hole

**Electrical**

Current - Maximum per Contact 13.5A

**Solder Process Data**



**EU RoHS**  
**ELV and RoHS**  
**Compliant**  
**REACH SVHC**  
**Contains SVHC: No**  
**Halogen-Free**  
**Status**  
**Not Halogen-Free**



**Need more information on product environmental compliance?**

Email [productcompliance@molex.com](mailto:productcompliance@molex.com)  
 For a multiple part number RoHS Certificate of Compliance, [click here](#)

Please visit the [Contact Us](#) section for any non-product compliance questions.

**Search Parts in this Series**  
 42002Series

**Mates With**  
 42021 Plug

Duration at Max. Process Temperature (seconds)	10
Lead-free Process Capability	Wave Capable (TH only)
Process Temperature max. C	260

**Material Info**

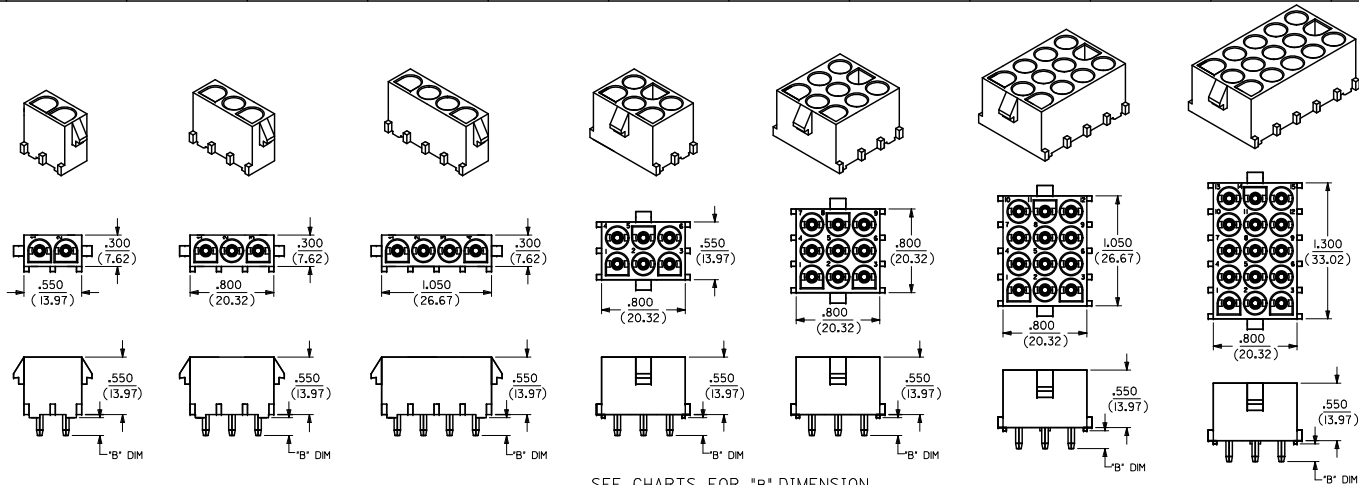
Old Part Number	42002-02C1A1
-----------------	--------------

**Reference - Drawing Numbers**

Packaging Specification	PK-43255-001
Product Specification	PS-42022-0001
Sales Drawing	SDA-42002-*****

This document was generated on 05/24/2010

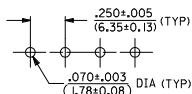
**PLEASE CHECK [WWW.MOLEX.COM](http://WWW.MOLEX.COM) FOR LATEST PART INFORMATION**



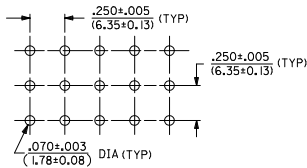
SEE CHARTS FOR "B" DIMENSION

P.C. BOARD MOUNTING DIMENSIONS

2, 3, & 4 POSITION HEADER ASSEMBLIES



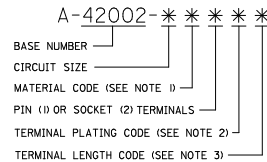
6, 9, 12 & 15 POSITION HEADER ASSEMBLIES



NOTES:

- 1) MATERIAL CODES:
  - \*A\*= NYLON 6/6, 94V-2, NATURAL
  - \*C\*= PLOYESTER, 94V-0, WHITE/NATURAL
  - \*D\*= NYLON V-2
  - COLOUR:BLACK(2YTEL 101F)
  - \*E\*= NYLON V-2
  - COLOUR:NATURAL
  - GLOWWIRE COMPATIBLE WITH CTI OF 325V
- 2) PLATING CODES:
  - A = ES-88-P921
- 3) TERMINAL LENGTH CODES:
  - I= TERMINAL FOR .062/(1.57) THICK PC BOARD
- 4) DIMENSIONS ARE FOR REFERENCE ONLY UNLESS INDICATED OTHERWISE.
- 5) HEADER ASSEMBLY HOUSINGS MATE WITH : PLUG HOUSINGS, .084/(2.13) DIA. SERIES: (42021-\*\*\*)
- 6) CONTACTS ARE ON .250/(6.35) GRID CENTERLINE SPACING.

LEGEND:



ENTER DESCRIPTION IEC NO: 12010-0067 DRAWNS:SN01 2009/11/02 CHKCD:GJLWME 2010/01/27 APPR:KPRASAD 2010/01/27 DESCRIPTION REV	QUALITY SYMBOLS $\nabla=0$ $\nabla=0$ $\nabla=0$	GENERAL TOLERANCES (UNLESS SPECIFIED) <table border="1"> <thead> <tr> <th></th> <th>mm</th> <th>INCH</th> </tr> </thead> <tbody> <tr> <td>4 PLACES</td> <td>±---</td> <td>±---</td> </tr> <tr> <td>3 PLACES</td> <td>±---</td> <td>±.005</td> </tr> <tr> <td>2 PLACES</td> <td>±0.13</td> <td>±.010</td> </tr> <tr> <td>1 PLACE</td> <td>±0.25</td> <td>±---</td> </tr> <tr> <td colspan="2">ANGULAR</td> <td>±---</td> </tr> </tbody> </table>		mm	INCH	4 PLACES	±---	±---	3 PLACES	±---	±.005	2 PLACES	±0.13	±.010	1 PLACE	±0.25	±---	ANGULAR		±---	DIMENSION STYLE IN/MM DRAWN BY SSUDHIR DATE 2004/06/08 CHECKED BY GJLOWE DATE 2004/06/08 APPROVED BY GJLOWE DATE 2004/06/08	SCALE NTS DESIGN UNITS INCH THIRD ANGLE PROJECTION	TITLE HEADER HOUSING ASSEMBLY .084/(2.13)DIA.SERIES	MOLEX INCORPORATED	MATERIAL NO. SDA-42002-***** DOCUMENT NO.	SHEET NO. 1 OF 2
		mm	INCH																							
4 PLACES	±---	±---																								
3 PLACES	±---	±.005																								
2 PLACES	±0.13	±.010																								
1 PLACE	±0.25	±---																								
ANGULAR		±---																								
DRAFT WHERE APPLICABLE MUST REMAIN WITHIN DIMENSIONS		SEE CHART		THIS DRAWING CONTAINS INFORMATION THAT IS PROPRIETARY TO MOLEX INCORPORATED AND SHOULD NOT BE USED WITHOUT WRITTEN PERMISSION																						

20 19 18 17 16 15 14 13 12 11 10 9 8 7 6 5 4 3 2 1

PART NO.	ENG. NO.	CIRCUIT SIZE	MATERIAL (SEE NOTE 1)	INSULATOR PART NO.	PLATING (SEE NOTE 2)	TERMINAL PART NO.	*B* DIM ±.015
10-84-4020	A-42002-2A IA I	2	A	42002-2A	A	42005-P921A	.17/(4,3)
10-84-5020	A-42002-2C IA I		C	42002-2C	A	42005-P921A	
10-84-4022	A-42002-2A2A I		A	42002-2A	A	42006-P921A	
10-84-5021	A-42002-2C2A I		C	42002-2C	A	42006-P921A	
36759011	36759-0101		D	366480042	A	42005-P921A	
36759014	36759-0141	D	366480042	A	42006-P921A		
36757011	36757-0101	E	367570001	A	42005-P921A		
36757014	36757-0141	E	367570001	A	42006-P921A		
10-84-4030	A-42002-3A IA I	3	A	42002-3A	A	42005-P921A	.17/(4,3)
10-84-5030	A-42002-3C IA I		C	42002-3C	A	42005-P921A	
10-84-4032	A-42002-3A2A I		A	42002-3A	A	42006-P921A	
10-84-5031	A-42002-3C2A I		C	42002-3C	A	42006-P921A	
36759012	36759-0102		D	366480043	A	42005-P921A	
36757012	36757-0102	E	367570002	A	42005-P921A		
36757014	36757-0142	E	367570002	A	42006-P921A		
10-84-4040	A-42002-4A IA I	4	A	42002-4A	A	42005-P921A	.17/(4,3)
10-84-5040	A-42002-4C IA I		C	42002-4C	A	42005-P921A	
10-84-4042	A-42002-4A2A I		A	42002-4A	A	42006-P921A	
10-84-5041	A-42002-4C2A I		C	42002-4C	A	42006-P921A	
36759013	36759-0103		D	366480044	A	42005-P921A	
36759014	36759-0143	D	366480044	A	42006-P921A		
36757013	36757-0103	E	367570003	A	42005-P921A		
36757014	36757-0143	E	367570003	A	42006-P921A		
10-84-4060	A-42002-6A IA I	6	A	42002-6A	A	42005-P921A	.17/(4,3)
10-84-5060	A-42002-6C IA I		C	42002-6C	A	42005-P921A	
10-84-4062	A-42002-6A2A I		A	42002-6A	A	42006-P921A	
10-84-5061	A-42002-6C2A I		C	42002-6C	A	42006-P921A	
36759014	36759-0104		D	366480045	A	42005-P921A	
36759014	36759-0144	D	366480045	A	42006-P921A		
36757014	36757-0144	E	367570004	A	42005-P921A		
36757014	36757-0144	E	367570004	A	42006-P921A		
10-84-4090	A-42002-9A IA I	9	A	42002-9A	A	42005-P921A	.17/(4,3)
10-84-5090	A-42002-9C IA I		C	42002-9C	A	42005-P921A	
10-84-4092	A-42002-9A2A I		A	42002-9A	A	42006-P921A	
10-84-5091	A-42002-9C2A I		C	42002-9C	A	42006-P921A	
36759015	36759-0105		D	366480046	A	42005-P921A	
36759014	36759-0145	D	366480046	A	42006-P921A		
36757015	36757-0105	E	367570005	A	42005-P921A		
36757015	36757-0145	E	367570005	A	42006-P921A		
10-84-4120	A-42002-12A IA I	12	A	42002-12A	A	42005-P921A	.17/(4,3)
10-84-5120	A-42002-12C IA I		C	42002-12C	A	42005-P921A	
10-84-4122	A-42002-12A2A I		A	42002-12A	A	42006-P921A	
10-84-5121	A-42002-12C2A I		C	42002-12C	A	42006-P921A	
36759016	36759-0106		D	366480047	A	42005-P921A	
36759014	36759-0146	D	366480047	A	42006-P921A		
36757016	36757-0106	E	367570006	A	42005-P921A		
36757016	36757-0146	E	367570006	A	42006-P921A		
10-84-4150	A-42002-15A IA I	15	A	42002-15A	A	42005-P921A	.17/(4,3)
10-84-5150	A-42002-15C IA I		C	42002-15C	A	42005-P921A	
10-84-4152	A-42002-15A2A I		A	42002-15A	A	42006-P921A	
10-84-5151	A-42002-15C2A I		C	42002-15C	A	42006-P921A	
36759017	36759-0107		D	366480057	A	42005-P921A	
36759014	36759-0147	D	366480057	A	42006-P921A		
36757017	36757-0107	E	367570007	A	42005-P921A		
36757014	36757-0147	E	367570007	A	42006-P921A		

ENTER DESCRIPTION 10-00-0000 2009/11/02 D1 CHKDCJLW 2010/01/27 APPROVED 2010/01/27	QUALITY SYMBOLS	GENERAL TOLERANCES (UNLESS SPECIFIED)	DIMENSION STYLE IN/MM	SCALE NTS	DESIGN UNITS INCH	THIRD ANGLE PROJECTION
	▽=0	4 PLACES ±.0005 ±.0005	INCH	SSUDHIR	2004/06/08	HEADING HOUSING ASSEMBLY .084/12.13/DIA.SERIES MOLEX INCORPORATED MATERIAL NO. SDA-42002-***** DOCUMENT NO. SDA-42002-***** SHEET NO. 2 OF 2
	▽=0	3 PLACES ±.013 ±.010	INCH	GJLOWE	2004/06/08	
	▽=0	1 PLACE ±0.25 ±.005	INCH	GJLOWE	2004/06/08	
▽=0	ANGULAR ±.005	INCH	GJLOWE	2004/06/08		
REV	DESCRIPTION	DRAFT WHERE APPLICABLE MUST REMAIN WITH DIMENSIONS	SEE CHART	THIS DRAWING CONTAINS INFORMATION THAT IS PROPRIETARY TO MOLEX INCORPORATED AND SHOULD NOT BE USED WITHOUT WRITTEN PERMISSION		