



# TAI-SAW TECHNOLOGY CO., LTD.

No. 3, Industrial 2nd Rd., Ping-Chen Industrial District,  
Taoyuan, 324, Taiwan, R.O.C.  
TEL: 886-3-4690038 FAX: 886-3-4697532  
E-mail: [tstsales@mail.taisaw.com](mailto:tstsales@mail.taisaw.com) Web: [www.taisaw.com](http://www.taisaw.com)

## Approval Sheet For Product Specification

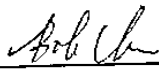
Issued Date: Mar, 16, 2009

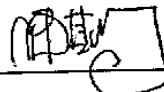
Product Name: SAW Filter 83.16 MHz SMD 11.4X5.0 mm

TST Parts No.: TB0586A

Customer Parts No.: \_\_\_\_\_

Company: _____
Division: _____
Approved by : _____
Date: _____

Checked by: \_\_\_\_\_ Bob Chau 

Approval by: \_\_\_\_\_ Francis Chen 

Date: \_\_\_\_\_ 3, 16, 2009



# TAI-SAW TECHNOLOGY CO., LTD.

No. 3, Industrial 2nd Rd., Ping-Chen Industrial District,  
Taoyuan, 324, Taiwan, R.O.C.

TEL: 886-3-4690038 FAX: 886-3-4697532

E-mail: [tstsales@mail.taisaw.com](mailto:tstsales@mail.taisaw.com) Web: [www.taisaw.com](http://www.taisaw.com)

## SAW Filter 83.16MHz

MODEL NO.:TB0586A

REV. NO.:2

### A. MAXIMUM RATING:

1. Input Power Level: 10 dBm
2. DC Voltage : 5V
3. Operating Temperature: -20°C to +70°C
4. Storage Temperature: -40°C to +85°C

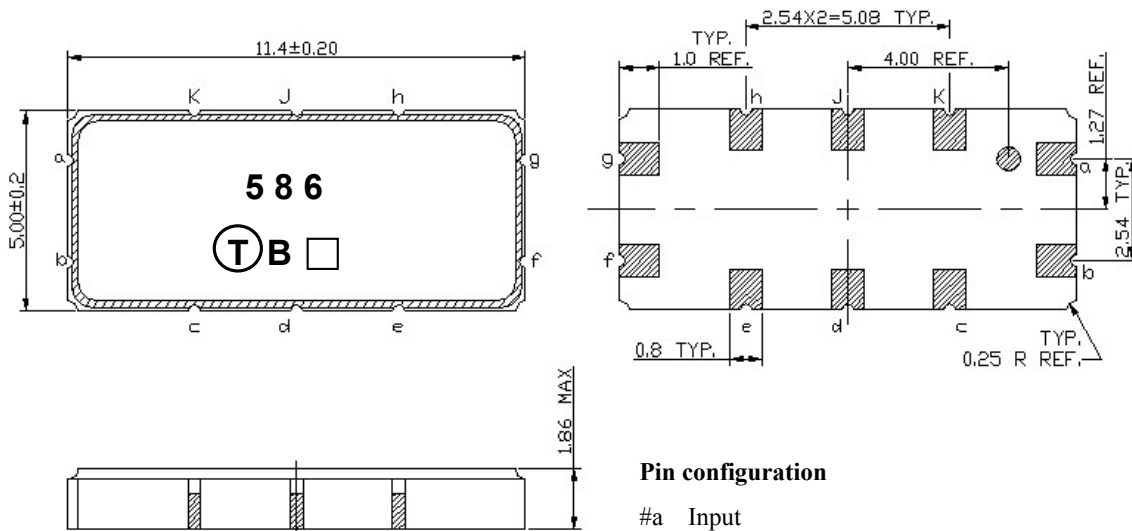
RoHS Compliant  
Lead free  
Lead-free soldering

### B. ELECTRICAL CHARACTERISTICS: ( Ambient temperature : 25°C )

Item	Unit	Min.	Type.	Max.	Note
Center frequency, <b>F<sub>c</sub></b>	MHz	-	83.16	-	-
Minimum Insertion loss <b>IL</b>	dB	-	2.9	5.0	-
Pass band ripple <b>F<sub>c</sub>±15 kHz</b>	dB	-	0.5	1.5	-
Group Delay Variation <b>F<sub>c</sub>±15 kHz</b>	μs	-	4	10	-
<b>Relative Attenuation (relative to 0 dB)</b>					
<b>F<sub>c</sub>-1000 kHz ~ F<sub>c</sub>- 120 kHz</b>	dB	40	50	-	-
<b>F<sub>c</sub>- 120 kHz ~ F<sub>c</sub>- 60 kHz</b>	dB	17	28	-	-
<b>F<sub>c</sub>+ 60 kHz ~ F<sub>c</sub>+ 120 kHz</b>	dB	17	28	-	-
<b>F<sub>c</sub>+ 120 kHz ~ F<sub>c</sub>+1000 kHz</b>	dB	40	56	-	-
<b>Temperature coefficient of frequency TC<sub>f</sub></b>		-0.033 ppm/C <sup>2</sup>			

Note1. Considering -6 KHz frequency shift from -20°C to +70°C

### C.OUTLINE DRAWING:



#### Pin configuration

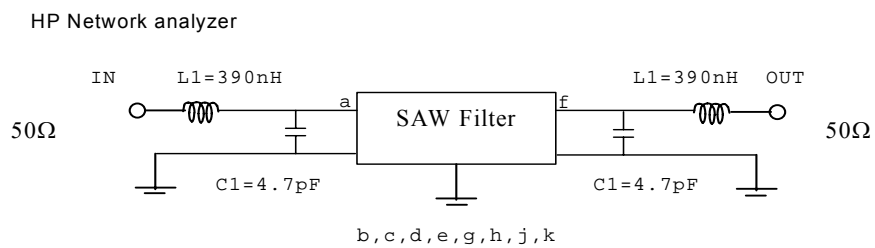
- #a Input
  - #b Input RF-Return
  - #f Output
  - #g Output RF-Return
  - #c,d,e,h,j,k To be grounded
  - Date code(Follow the table from planner each year)
- Unit mm

#### Product Year Code

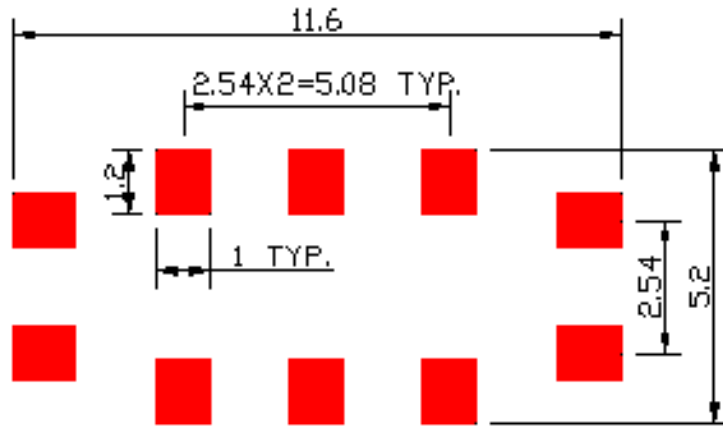
Year	2001	2002	2003	2004
	2005	2006	2007	2008
Product Code	B	b	<u>B</u>	<u>b</u>

### D. MEASUREMENT CIRCUIT:

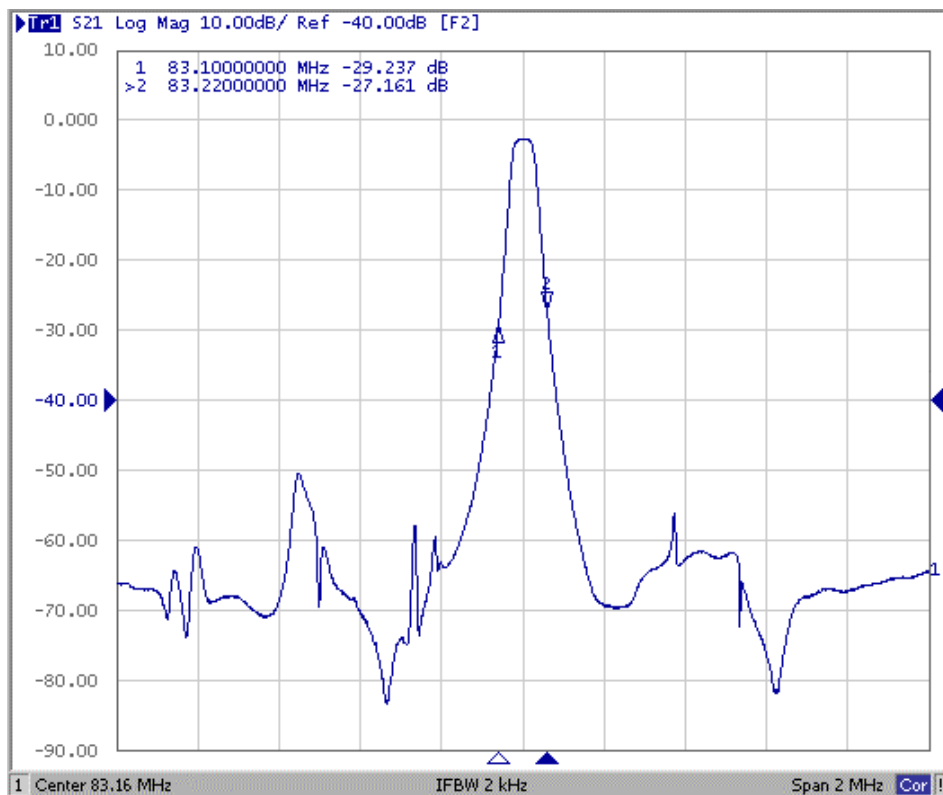
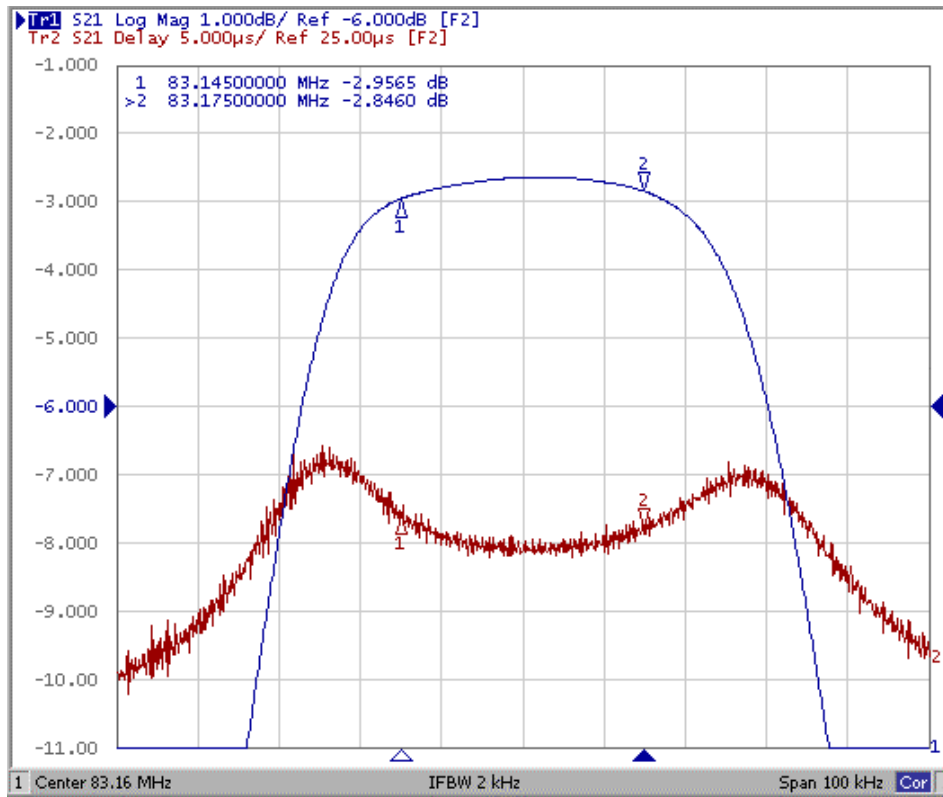
#### 50 Ohm Test circuit ( single-ended / single-ended )



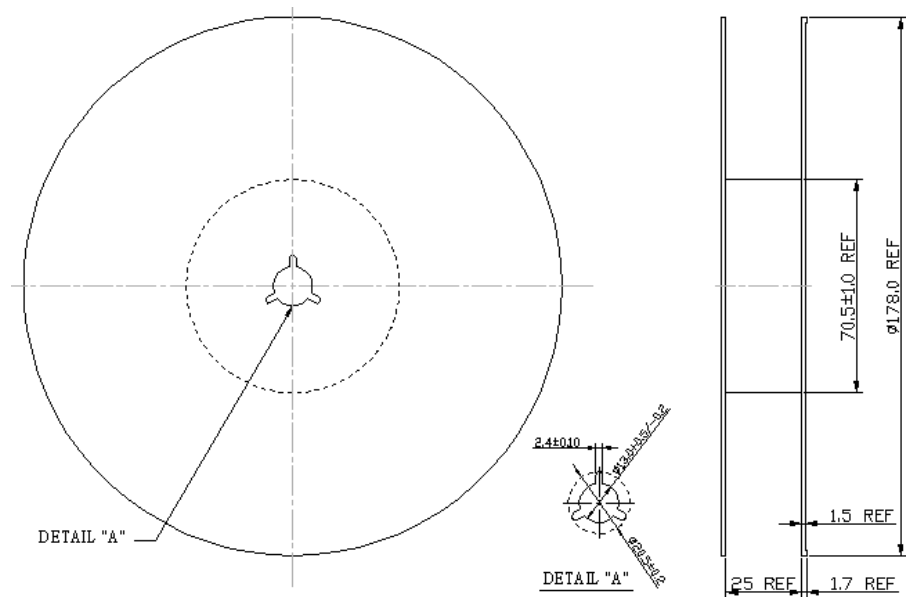
**E. PCB Footprint:**



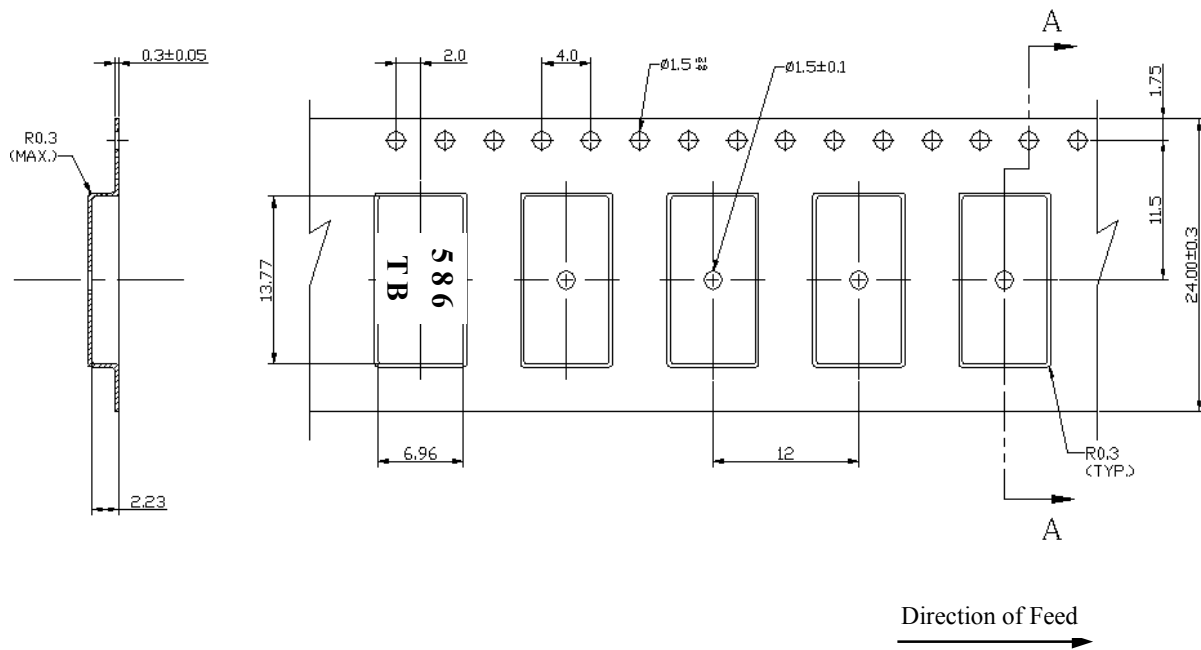
## F. Frequency Characteristics :



**G. PACKING:**  
**1. REEL DIMENSION**



**2. TAPE DIMENSION**



**H. RECOMMENDED REFLOW PROFILE :**

