

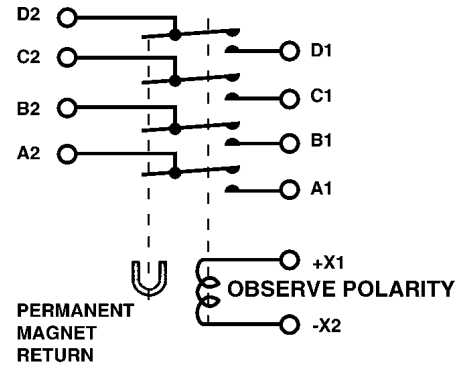
# DH-7YC 4PST N.O., 25 Amps, 115/208 VAC, 400 Hz



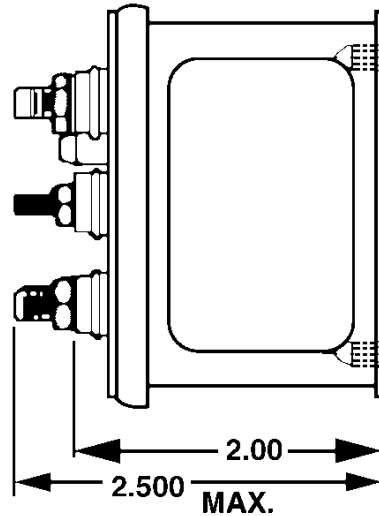
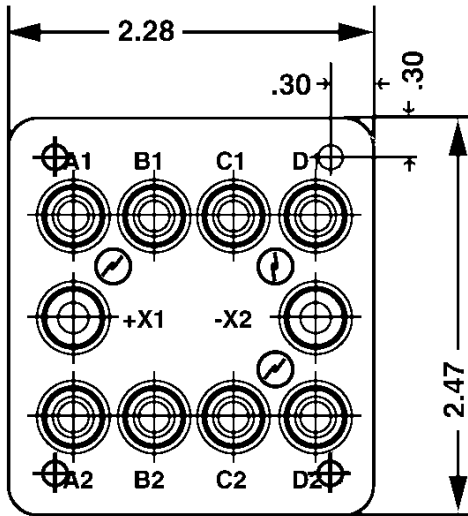
**Features:**

- 4PST N.O. Main Contacts
- Hermetically Sealed
- AC Coil
- 115/208 VAC, 400 Hz
- 25 Amps
- High Reliability
- Meets many requirements of MIL-R-6106

**CONTACTOR CONFIGURATION**



Notes:



Dimensions for this product are expressed in inches. Multiply values by 25.4 for millimeters.

PRODUCT SPECIFICATIONS	
Construction	Hermetically Sealed
Main Contacts:	
Configuration	4PST N.O.
Voltage (Nominal)	115/208 VAC, 400 Hz
Current (Resistive)	25 Amps
Coil Data:	
Duty Cycle	Continuous
Voltage (Nominal)	115 VAC
Pick-Up Voltage	90 VAC Maximum
Drop-Out Voltage	5 - 45 VAC
Coil Current @ 115 VDC & +25°C	71 Milliampere Maximum
Operating Temperature	-54°C to +71°C
Life:	
Electrical	50,000 Cycles
Mechanical	100,000 Cycles
Weight Maximum	14 Oz.

For factory-direct application assistance, contact the HARTMAN product team at (419) 521-9500, Fax (419) 526-2749.

© 2004 by Tyco Electronics Corporation. All Rights Reserved. HARTMAN and TYCO are trademarks.

Catalog (web doc only)  
Revised 5-04

www.tycoelectronics.com

Dimensions are in inches and millimeters unless otherwise specified. Values in brackets are metric equivalents.

Dimensions are shown for reference purposes only. Specifications subject to change.

USA: 1-800-522-6752  
Canada: 1-905-470-4425  
Mexico: 01-800-733-8926  
C. America: 52-55-5-729-0425

South America: 55-11-3611-1514  
Hong Kong: 852-2735-1628  
Japan: 81-44-844-8013  
UK: 44-141-810-8967