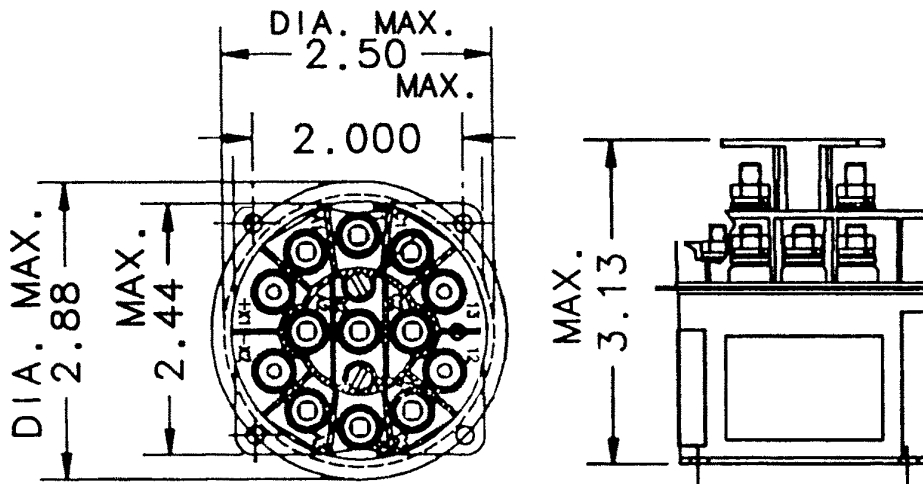


DH-7BC 3PDT, 60 Amps, 115/208 VAC, 400 Hz



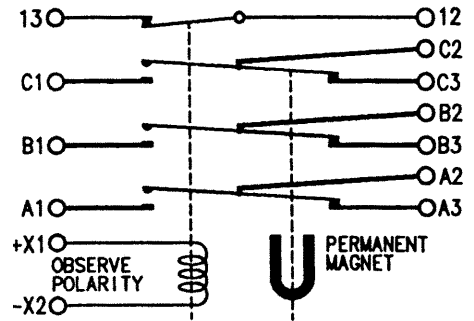
Features:

- 3PDT Main Contacts
- Mechanically Interlocked
- Hermetically Sealed
- 115/208 VAC, 400 Hz
- 60 Amps
- High Reliability
- Meets many requirements of MIL-R-6106
- Light Weight Construction



Dimensions for this product are expressed in inches. Multiply values by 25.4 for millimeters.

CONTACTOR CONFIGURATION



Notes:

PRODUCT SPECIFICATIONS	
Construction	Hermetically Sealed
Main Contacts:	
Configuration	3PDT
Voltage (Nominal)	115 /208 VAC, 400 Hz
Current (Resistive)	60 Amperes
Auxiliary Contacts:	
Configuration	SPST N.C.
Voltage (Nominal)	28 VDC or 115 VAC, 400 Hz
Current Resistive	5 Amps
Coil Data:	
Duty Cycle	Continuous
Voltage (Nominal)	28 VDC
Pick-Up Voltage	18 VDC Maximum
Drop-Out Voltage	1.5 - 7 VDC
Coil Current @ 28 VDC & +25°C	280 Milliampers Maximim
Operating Temperature	-55°C to +71°C
Life:	
Electrical	50,000 Cycles
Mechanical	100,000 Cycles
Weight	14.5 Oz.

For factory-direct application assistance, contact the HARTMAN product team at (419) 521-9500, Fax (419) 526-2749.

© 2004 by Tyco Electronics Corporation. All Rights Reserved. HARTMAN and TYCO are trademarks.

Catalog (web doc only)
Revised 5-04

www.tycoelectronics.com

Dimensions are in inches and millimeters unless otherwise specified. Values in brackets are metric equivalents.

Dimensions are shown for reference purposes only. Specifications subject to change.

USA: 1-800-522-6752
Canada: 1-905-470-4425
Mexico: 01-800-733-8926
C. America: 52-55-5-729-0425

South America: 55-11-3611-1514
Hong Kong: 852-2735-1628
Japan: 81-44-844-8013
UK: 44-141-810-8967