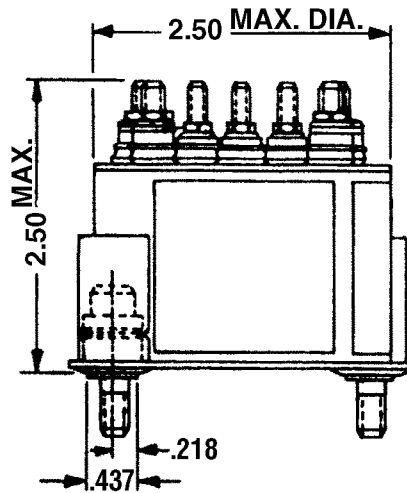
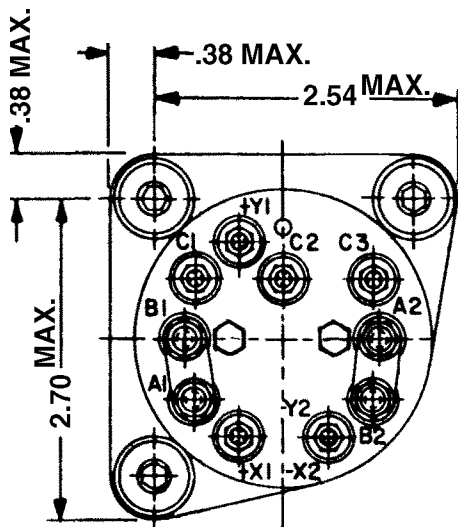


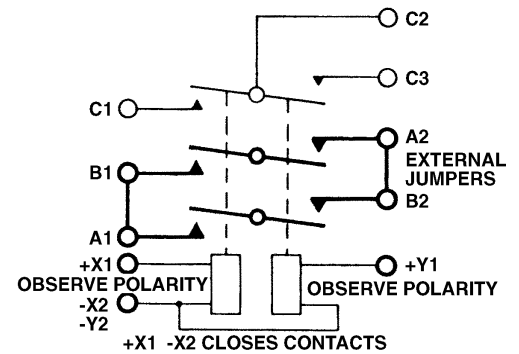
DH-16CH SPST, Latching, 131 Amps, 31 VDC

Features:

- SPST Main Contacts
- Latching
- Hermetically Sealed
- 31 VDC
- 131 Amps
- High Reliability
- Meets many requirements of MIL-R-6106
- Light Weight Construction



CONTACTOR CONFIGURATION



Notes:

Dimensions for this product are expressed in inches. Multiply values by 25.4 for millimeters.

PRODUCT SPECIFICATIONS	
Construction	Hermetically Sealed
Main Contacts:	
Configuration	SPST Latching
Voltage (Nominal)	31 VDC
Current (Resistive)	131 Amps
Auxiliary Contacts:	
Configuration	2PST
Voltage (Nominal)	31 VDC
Current (Resistive)	20 Amps
Coil Data:	
Duty Cycle	Continuous
Voltage (Nominal)	28 VDC
Pick-Up Voltage	18 VDC Maximum
Coil Current @ 28 VDC & +25°C	205 Milliampere Maximum
Operating Temperature	125°C Maximum
Life:	
Electrical	50,000 Cycles
Mechanical	100,000 Cycles
Weight Maximum	14.6 Oz.

For factory-direct application assistance, contact the HARTMAN product team at (419) 521-9500, Fax (419) 526-2749.

© 2004 by Tyco Electronics Corporation. All Rights Reserved. HARTMAN and TYCO are trademarks.

Catalog (web doc only)
Revised 5-04

www.tycoelectronics.com

Dimensions are in inches and millimeters unless otherwise specified. Values in brackets are metric equivalents.

Dimensions are shown for reference purposes only. Specifications subject to change.

USA: 1-800-522-6752
Canada: 1-905-470-4425
Mexico: 01-800-733-8926
C. America: 52-55-5-729-0425

South America: 55-11-3611-1514
Hong Kong: 852-2735-1628
Japan: 81-44-844-8013
UK: 44-141-810-8967