



TAI-SAW TECHNOLOGY CO., LTD.

No. 3, Industrial 2nd Rd., Ping-Chen Industrial District,
Taoyuan, 324, Taiwan, R.O.C.

TEL: 886-3-4690038 FAX: 886-3-4697532

E-mail: ttsales@mail.taisaw.com Web: www.taisaw.com

Approval Sheet For Product Specification

Issued Date:

Product Name: IF SAW Filter 200 MHz

TST Parts No.:TB0410A

Customer Parts No.: _____

Company: _____
Division: _____
Approved by : _____
Date: _____

Checked by: _____ Andy Lee

Approval by: _____ Francis Chen

Date: _____ 2007/10/29



TAI-SAW TECHNOLOGY CO., LTD.

No. 3, Industrial 2nd Rd., Ping-Chen Industrial District,
Taoyuan, 324, Taiwan, R.O.C.

TEL: 886-3-4690038 FAX: 886-3-4697532

E-mail: tstsales@mail.taisaw.com Web: www.taisaw.com

IF SAW Filter 200 MHz SMD 7 X5mm

MODEL NO.: TB0410A

REV. NO.1

A. MAXIMUM RATING:

1. Operating Temperature: -10 °C ~ 70 °C
2. Storage Temperature: -40 °C ~ +85 °C

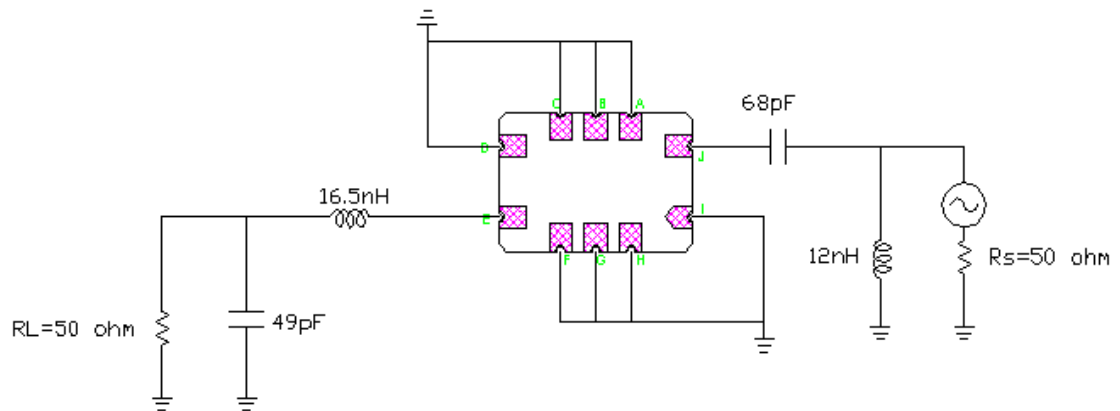
RoHS Compliant
Lead free
Lead-free soldering

B. Characteristics :

1. Ambient Temperature: 25 °C

Characteristics	Value			Note
	Min.	Typ.	Max.	
Center frequency F_c MHz	199.9	200	200.1	-
Minimum Insertion loss I.L. dB	14.4	16.9	18.4	-
Passband ripple ($F_c \pm 2.7$ MHz) dB	-	0.68	1.00	-
Phase linearity ($F_c \pm 3.0$ MHz)(rms) deg	-	1.5	7.0	-
1 dB Bandwidth dB	6.4	6.7	-	-
3 dB Bandwidth dB	7.3	7.6	7.9	-
40 dB Bandwidth	-	10.3	11.0	-
Group Delay Ripple ($F_c \pm 3.0$ MHz) nS	-	74	120	-
Temp. Coefficient ppm/° C	-	-23	-	-
Attenuation:(Reference level from minimum insertion loss)				dB
1) 10 MHz ~ 193MHz dB	40	49	-	-
2) 207 MHz ~ 350 MHz dB	38	43	-	-

C. Measurement Circuit:



D. Frequency Characteristics :

1. S21 Response

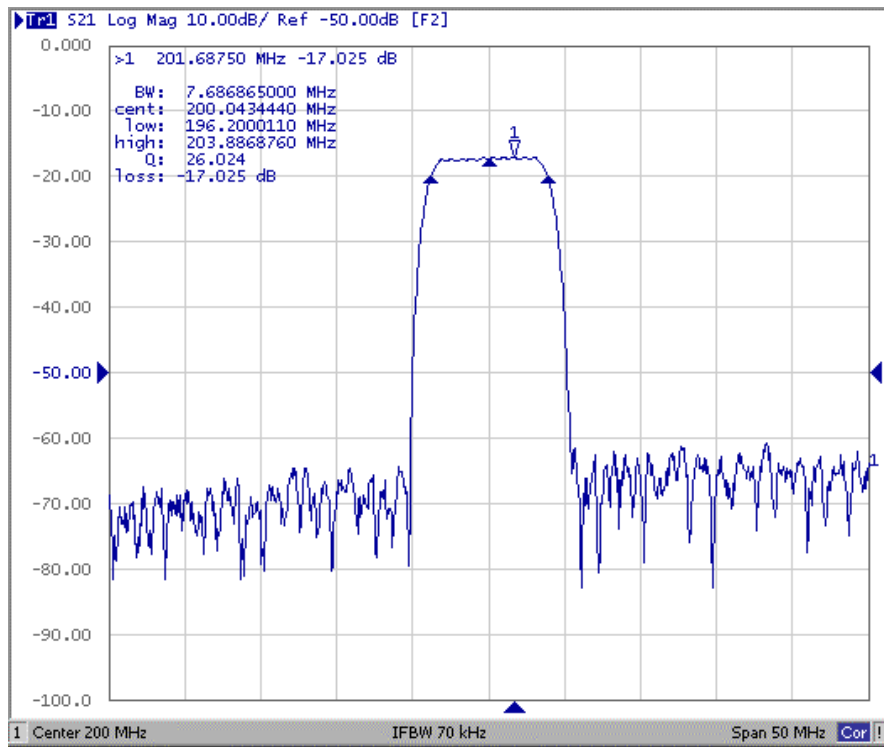


Fig1. Horizontal: 5MHz/Div Vertical: 10dB/Div

2. S21 Response (Passband)

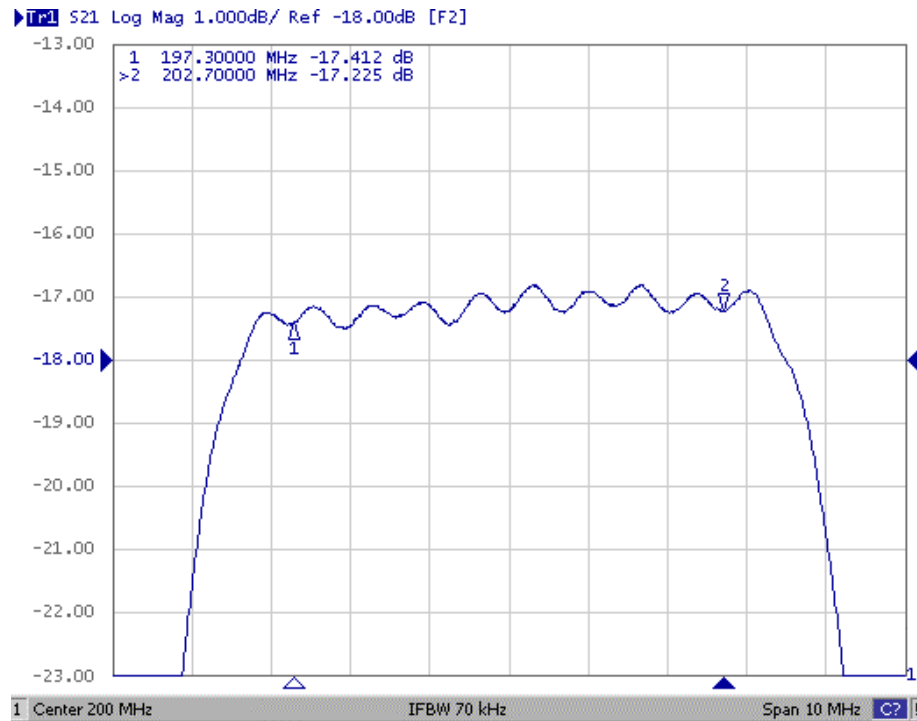


Fig2. Horizontal: 1MHz/Div; Vertical: 1dB/Div

3. S21 Response (Group delay ripple)

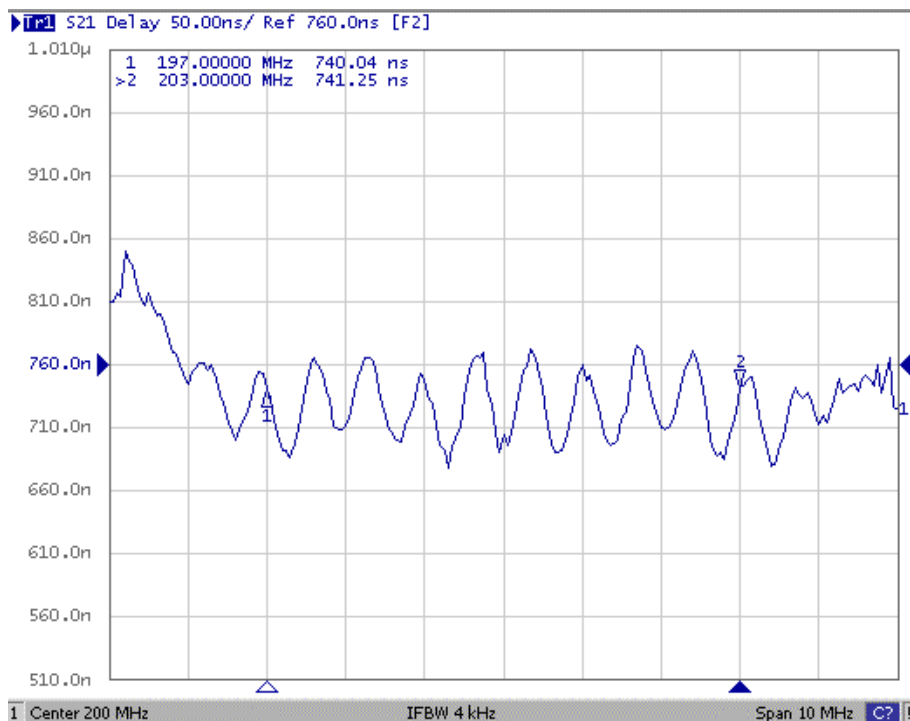
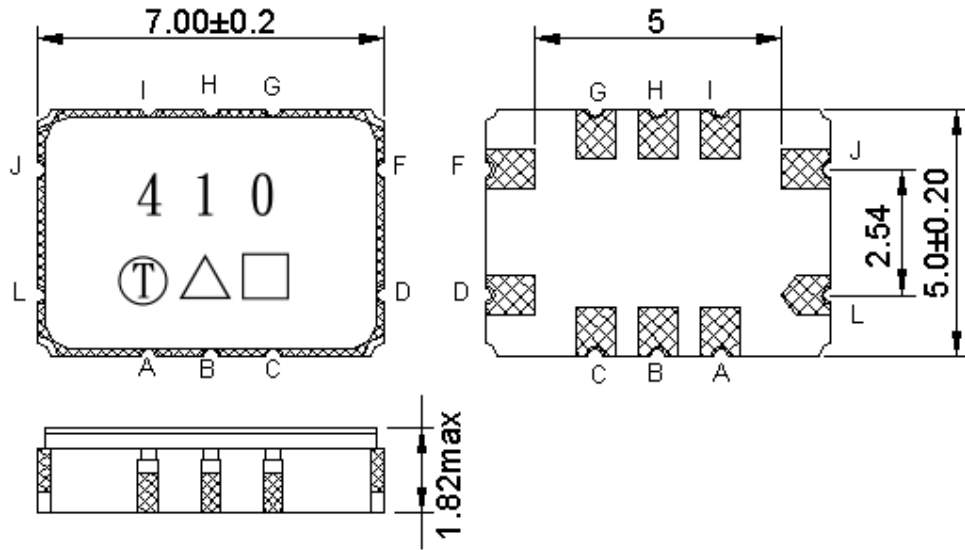


Fig2. Horizontal: 1MHz/Div; Vertical: 50ns/Div

E. Outline Drawing:



Pin J: RF Input

Pin D: RF Output

Pin A,B,C,F,G,H,I,L: To be Ground

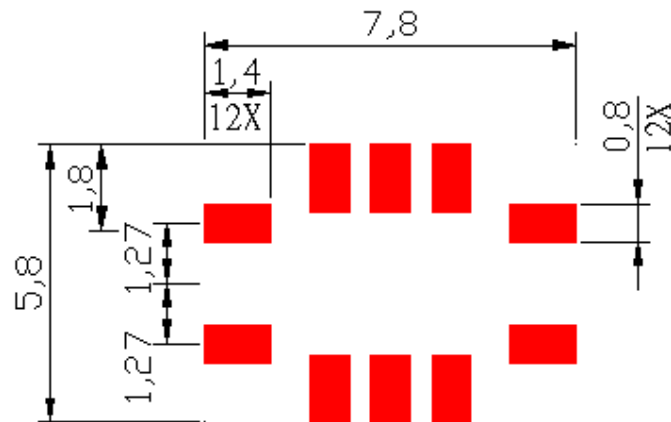
□: Week Code (Follow the table from planner each year)

Unit: mm

△ : Product / Year Code

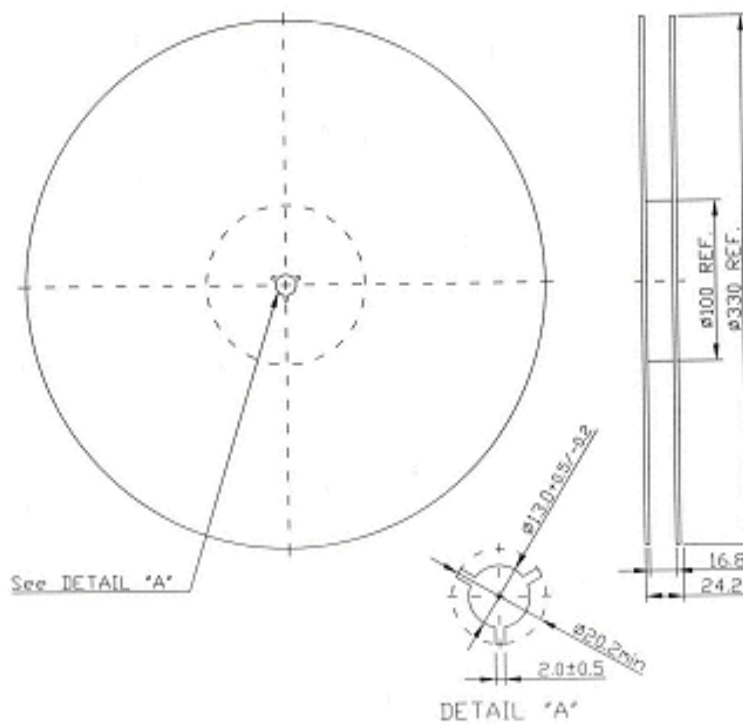
Year	2005 2009	2006 2010	2007 2011	2008 2012
Product Code	B	b	<u>B</u>	<u>b</u>

F. PCB FOOTPRINT:

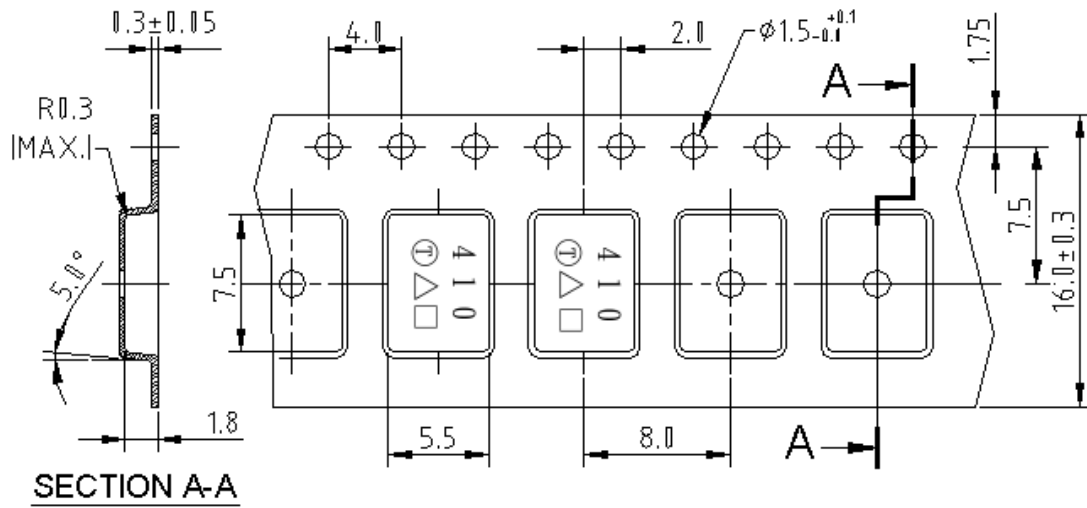


G. PACKING:

1. REEL DIMENSION



2. TAPE DIMENSION



H. RECOMMENDED REFLOW PROFILE :

