



TAI-SAW TECHNOLOGY CO., LTD.

No. 3, Industrial 2nd Rd., Ping-Chen Industrial District,
Tao-Yuan, 324, Taiwan, R.O.C.

TEL: 886-3-4690038 FAX: 886-3-4697532

E-mail: ttsales@mail.taisaw.com Web: www.taisaw.com

Approval Sheet for Product Specification

Issued Date:

Product Name: 260MHz IF SAW Filter (BW=30 MHz)

TST Parts No.: TB0358A

Customer Parts No.: _____

Company: _____
Division: _____
Approved by : _____
Date: _____

Checked by: Andy Yu

Approval by: Francis Chen

Date: 2007.04.19



TAI-SAW TECHNOLOGY CO., LTD.

No.3, Industrial 2nd Rd., Ping-Chen Industrial District, Taoyuan, Taiwan, R.O.C.

TEL: 886-3-4690038

FAX: 886-3-4697532

E-mail: tstsales3@mail.taisaw.com Web: www.taisaw.com

260 MHz IF SAW Filter (SMD 7.0×5.0 mm)

Model No.: TB0358A

Rev. No.:2.0

A. MAXIMUM RATING:

1. Input Power Level: 10 dBm
2. Operating Temperature: -40 °C ~ 85 °C
3. Storage Temperature: -40 °C ~ +85 °C

RoHS Compliant
Lead free
Lead-free soldering

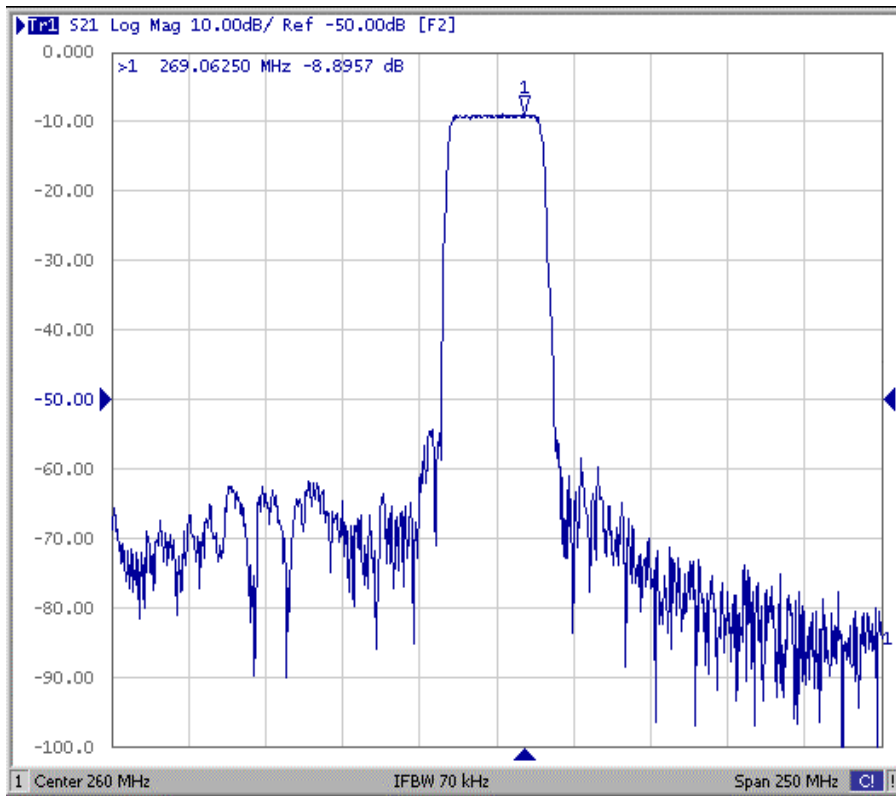
B. Characteristics :

1. Ambient Temperature: 25 °C

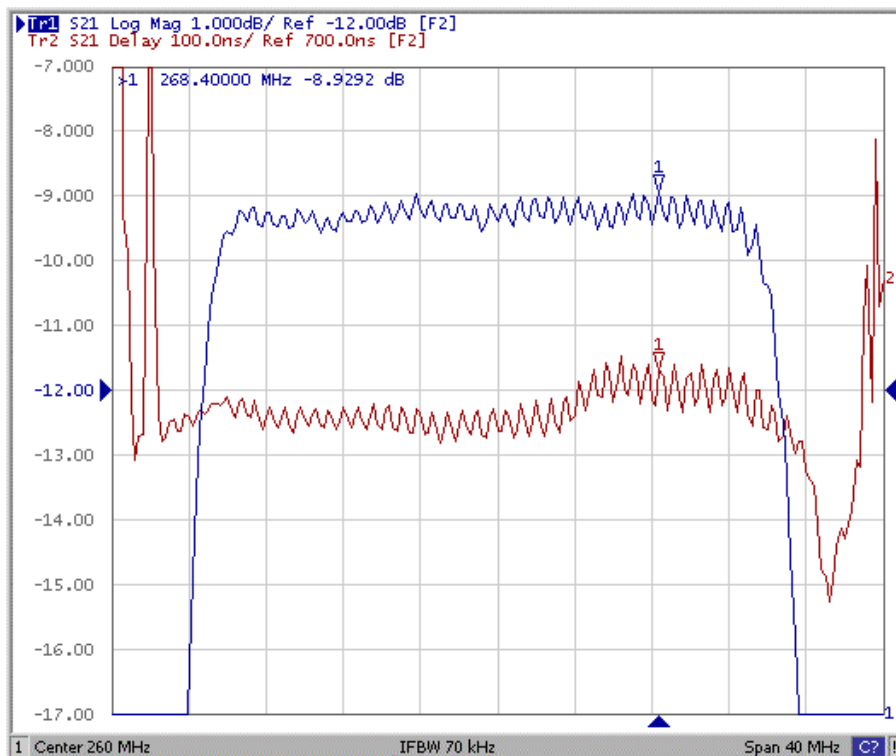
Characteristics	Value			Note
	Min.	Typ.	Max.	
Center frequency F_c MHz	-	260	-	-
Minimum Insertion loss I.L. dB	-	9.0	10	-
Passband ripple ($F_c \pm 12\text{MHz}$) dB	-	0.7	1	-
3dB Bandwidth MHz	28	30	-	-
Group delay variation ($F_c \pm 12\text{MHz}$) MHz	-	140	200	-
Attenuation:(Reference level from minimum insertion loss)				dB
1) 100-235MHz dB	40	51	-	-
2) 235-240MHz dB	38	46	-	-
3) 280-285MHz dB	38	48	-	-
4) 285-400MHz dB	40	50	-	-

C. Frequency Characteristics:

(1) Frequency Response

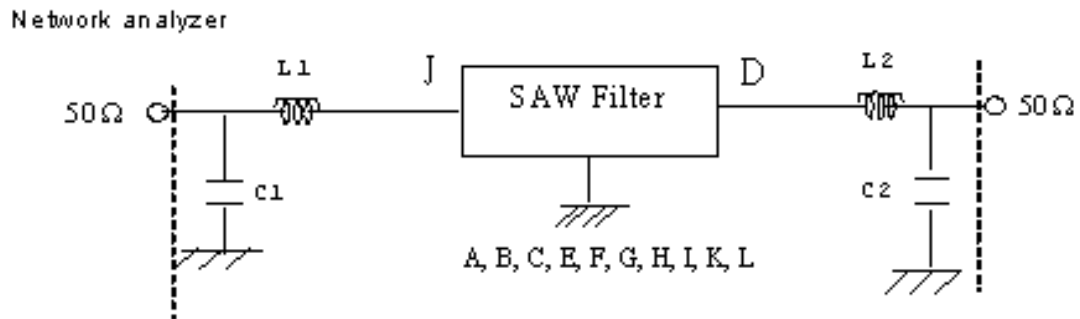


(2) Passband response and Group Delay Variation



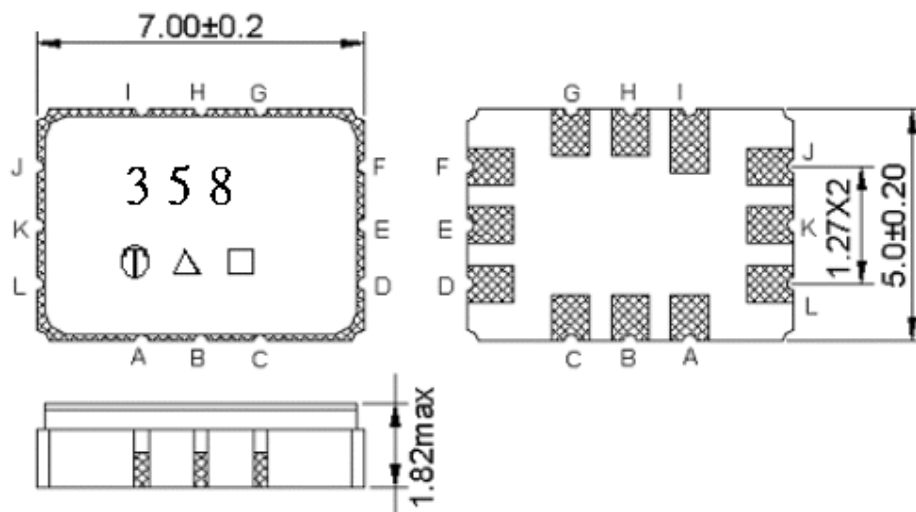
D. Measurement Circuit:

Source and load impedance: 50 Ω



Input: L1=33 nH; C1=27 pF
 Output: L2=27 nH; C2=19 pF

E. Outline Drawing:



Pin J: RF input

Pin D: RF output

Pin K, L, A, B, C, E, F, I, H, G: Ground

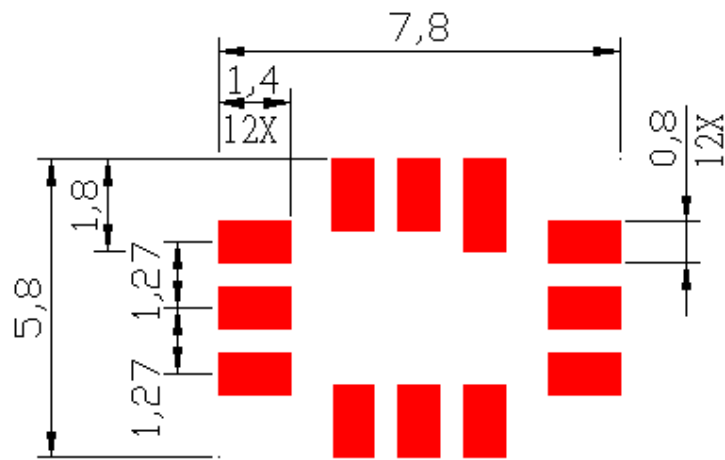
□ : Week Code (Follow the table from planner each year)

Unit : mm

△ : Product / Year Code

Year	2005 2009	2006 2010	2007 2011	2008 2012
Product Code	B	b	<u>B</u>	<u>b</u>

E. PCB Footprint:



F. Packing:

(1). REEL DIMENSION:

