

**IF SAW Filter 38.9120 MHz**  
**Part No: MA04926**

**Model: TB0199A**  
**REV. NO.: 3**

**A. MAXIMUM RATING:**

1. Input Power Level: 10dBm
2. DC voltage: 10V
3. Operating Temperature: -30°C to +85°C
4. Storage Temperature: -30°C to +85°C

**B. ELECTRICAL CHARACTERISTICS:**

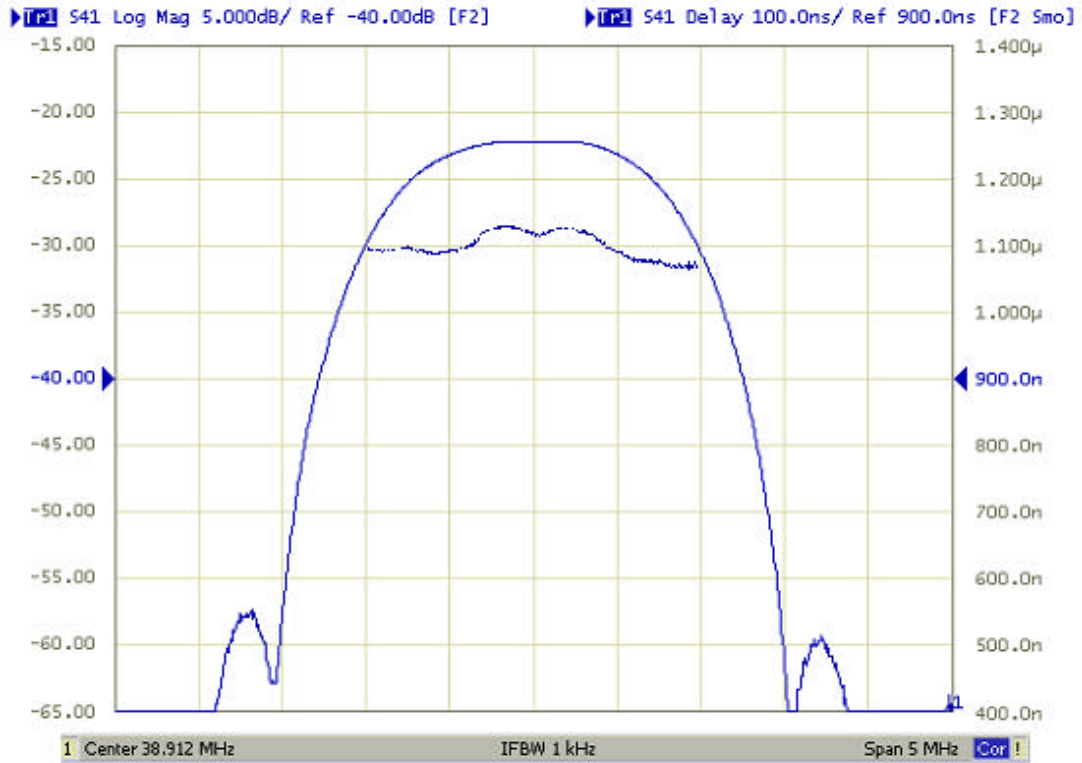
Item	Min.	Typ.	Max.	Note
Center frequency $F_C$ (MHz)	38.812	38.912	39.012	
Insertion Loss (dB) $IL_{min}$	-	22.5	25.0	
Pass bandwidth (relative to $IL_{min}$ ) $BW_3$ (MHz)	1.40	1.50	-	
Pass bandwidth (relative to $IL_{min}$ ) $BW_{30}$ (MHz)	-	2.85	3.00	
Attenuation:( relative to $IL_{min}$ ) (dB )				
30.00~36.26 MHz (dB )	35.0	40.0	-	
36.26~37.30 MHz (dB )	33.0	37.0	-	
40.60~41.40 MHz (dB )	35.0	40.0	-	
41.40~50.00 MHz (dB )	35.0	38.0	-	
Group Delay Variation:				
38.16~39.66 MHz ( nsp-p )	-	80	200	
Temperature coefficient (ppm/K)	-	-20	-	

**IF SAW Filter 38.9120 MHz**  
**Part No: MA04926**

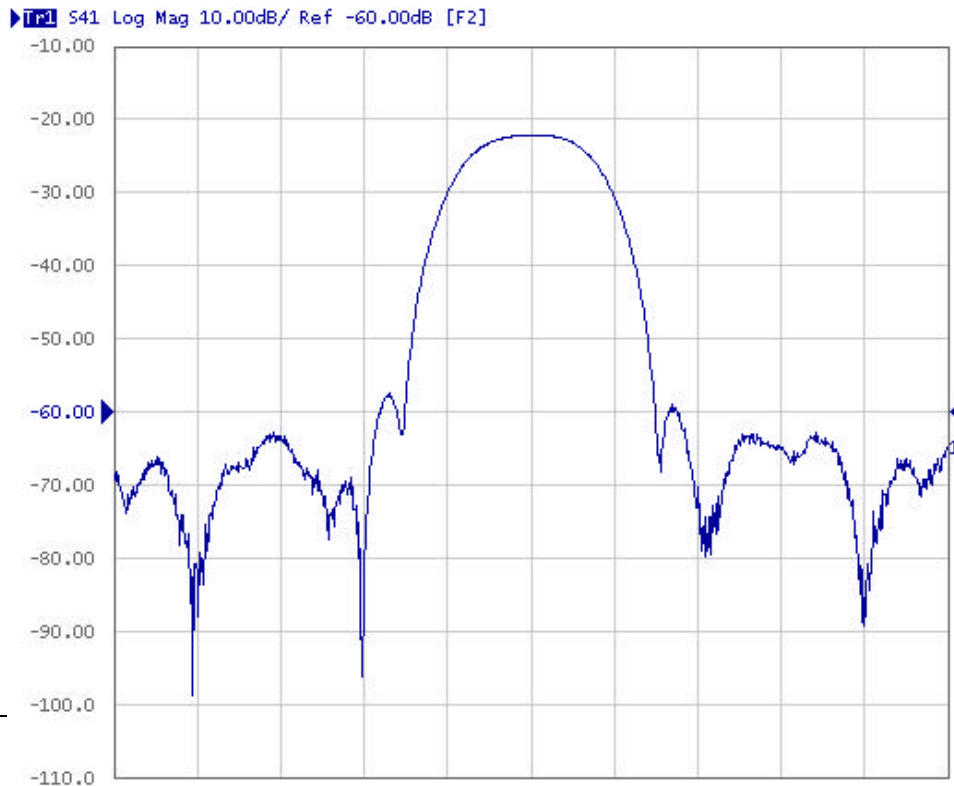
**Model: TB0199A**  
**REV. NO.: 3**

**C. FREQUENCY CHARACTERISTICS:**

1. Group delay:



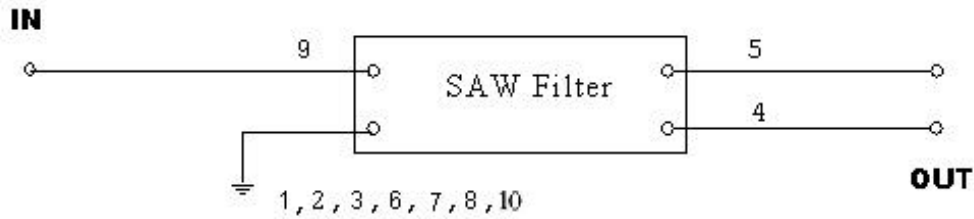
2. S21 Response:



**IF SAW Filter 38.9120 MHz**  
**Part No: MA04926**

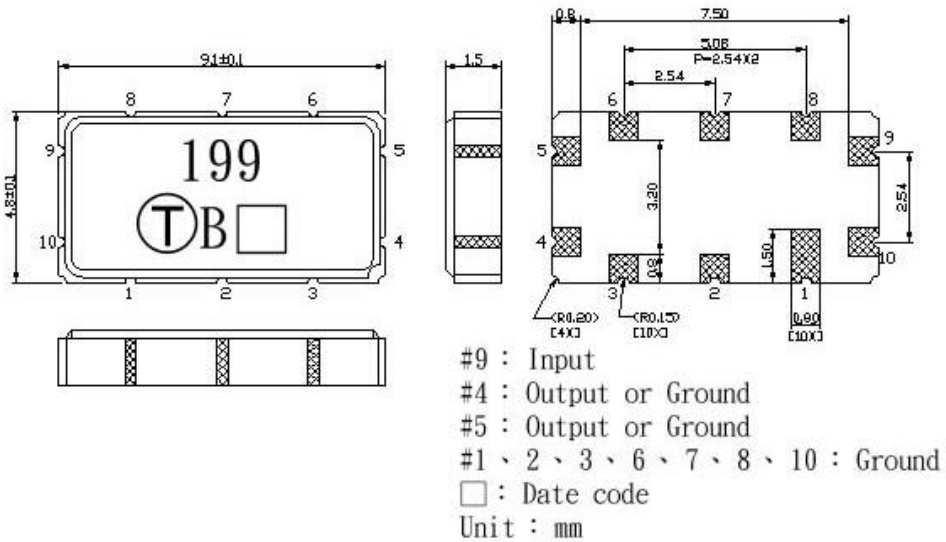
**Model: TB0199A**  
**REV. NO.: 3**

**D. MEASUREMENT CIRCUIT:**

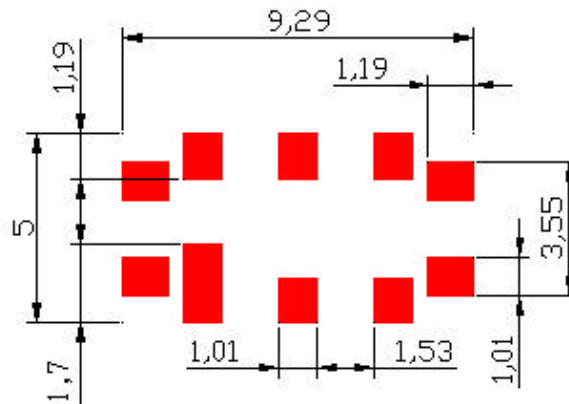


**In/out Impedance = 50W/50W**

**E. OUTLINE DRAWING:**



**F. PCB Footprint**

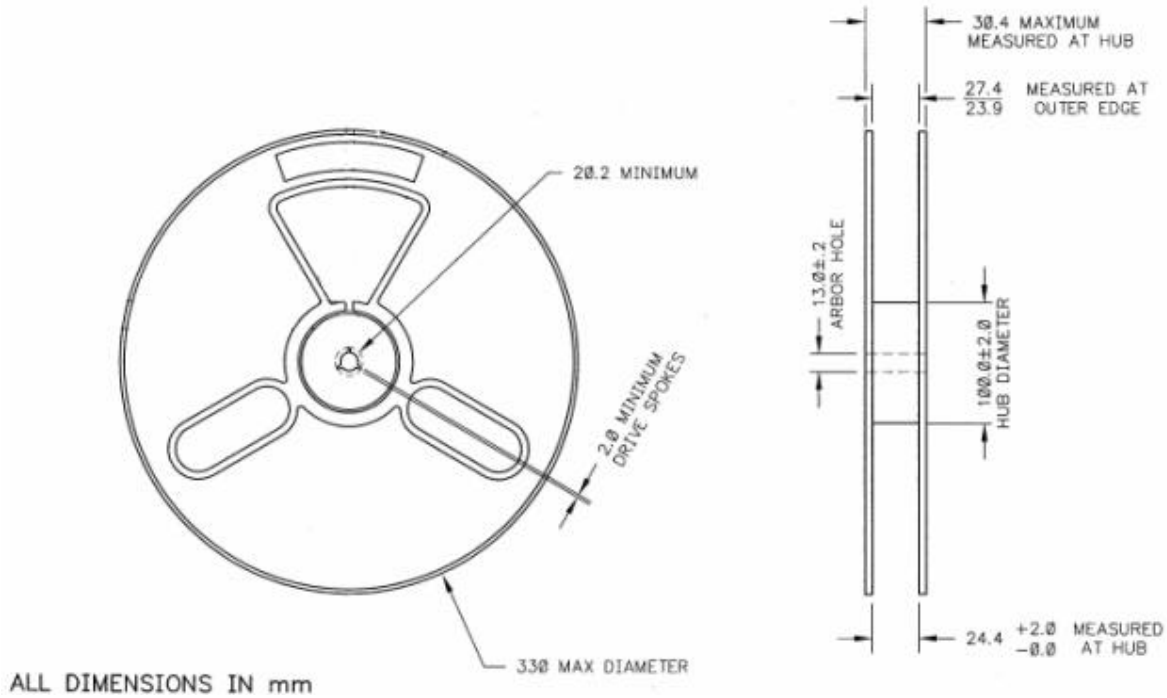


**IF SAW Filter 38.9120 MHz**  
**Part No: MA04926**

**Model: TB0199A**  
**REV. NO.: 3**

**G. PACKING:**

**1. REEL DIMENSION**



**2. TAPE DIMENSION**

