



TAI-SAW TECHNOLOGY CO., LTD.

No. 3, Industrial 2nd Rd., Ping-Chen Industrial District,
Taoyuan, 324, Taiwan, R.O.C.

TEL: 886-3-4690038 FAX: 886-3-4697532

E-mail: tstsales3@mail.taisaw.com Web: www.taisaw.com

Approval Sheet For Product Specification

Issued Date:

Product Name: 190MHz IF SAW Filter (BW=6MHz)

TST Parts No.: TB0190A

Customer Parts No.: _____

Company: _____
Division: _____
Approved by : _____
Date: _____

Checked by: _____ Asin Lin

Approval by: _____ Francis Chen

Date: _____ 2005,03,14



TAI-SAW TECHNOLOGY CO., LTD.

No.3, Industrial 2nd Rd., Ping-Chen Industrial District, Taoyuan, Taiwan, R.O.C.

TEL: 886-3-4690038

FAX: 886-3-4697532

E-mail: tstsales3@mail.taisaw.com Web: www.taisaw.com

190 MHz IF SAW Filter (SMD 3.8x3.8mm)

Model No.: TB0190A

Rev. No.:4

A. Maximum Rating:

RoHS Compliant
Lead free
Lead-free soldering

1. Input Power Level: +10 dB_m
2. Operating Temperature: 0°C to +70°C
3. Storage Temperature: -20°C to +85°C

B. Electrical Characteristics:

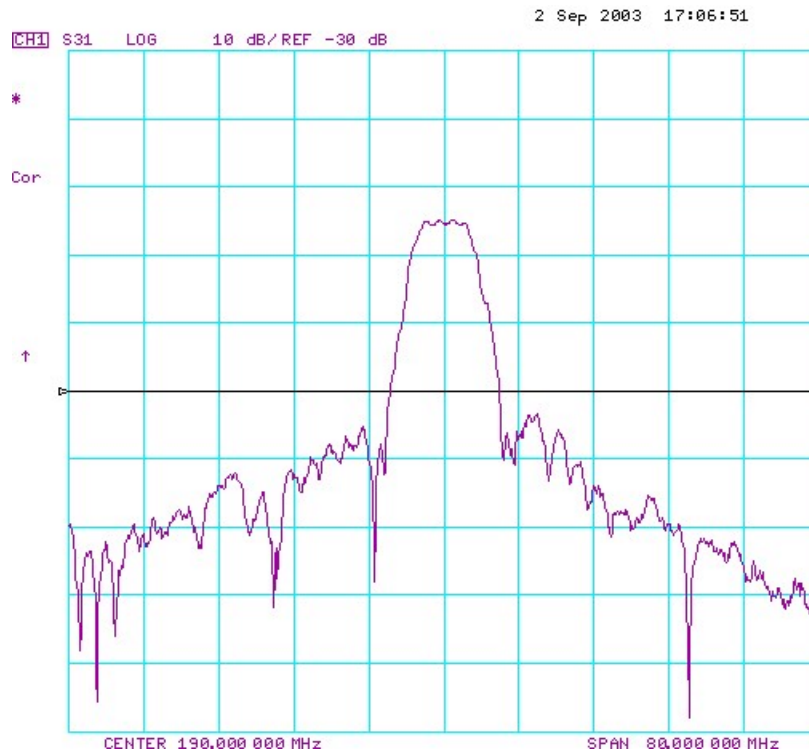
Parameter	Unit	Min.	Typ.	Max.	Note
Center frequency, F_c	MHz	189.9	190	190.1	-
Insertion Loss, IL	dB	-	4.7	7	1
3dB Bandwidth	MHz	4.6	6	-	-
Amplitude Ripple within ±2MHz	dB	-	0.9	2.0	-
Group Delay Ripple within ±2MHz	nsec	-	70	100	-
Rejection (Reference level from 0 dB)					
from ±5.0 MHz to ±7.5 MHz	dB	10	19	-	-
from ±7.5 MHz to ±12.5 MHz	dB	25	33	-	-
from ±12.5 MHz to ±15 MHz	dB	35	37	-	-
from ±15 MHz to ±100 MHz	dB	40	43	-	-

Notes:

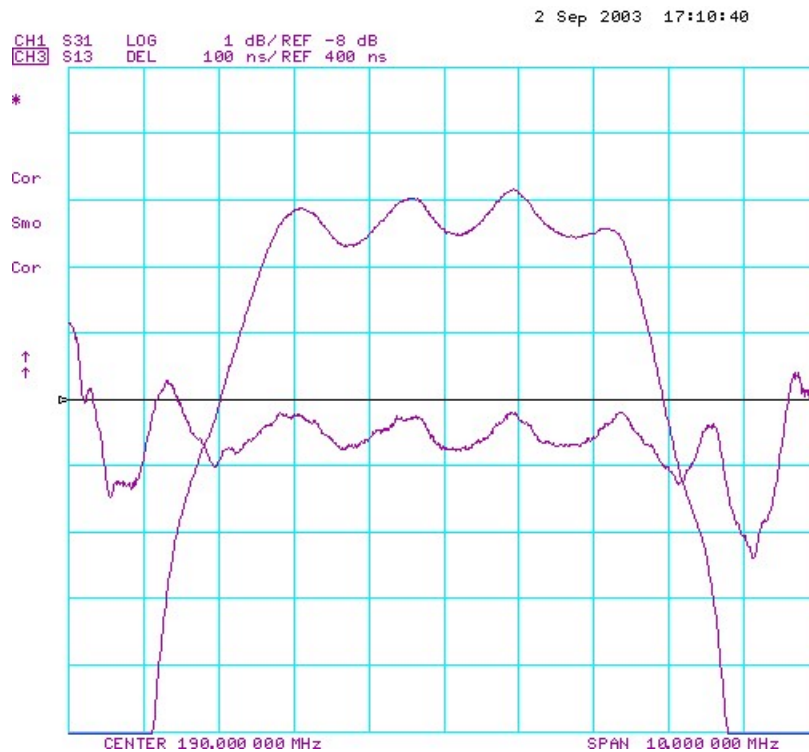
1. For the Insertion Loss measurements, we excluded losses in matching circuit.

C. Frequency Characteristics:

(1) S21 Response:

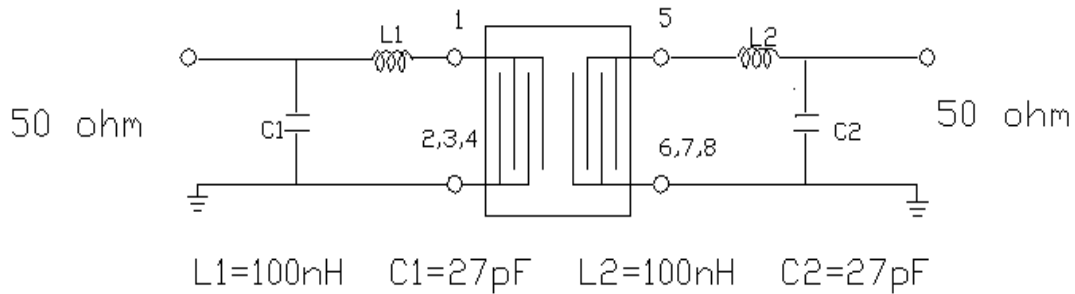


(2) Amplitude Ripple and Group Delay

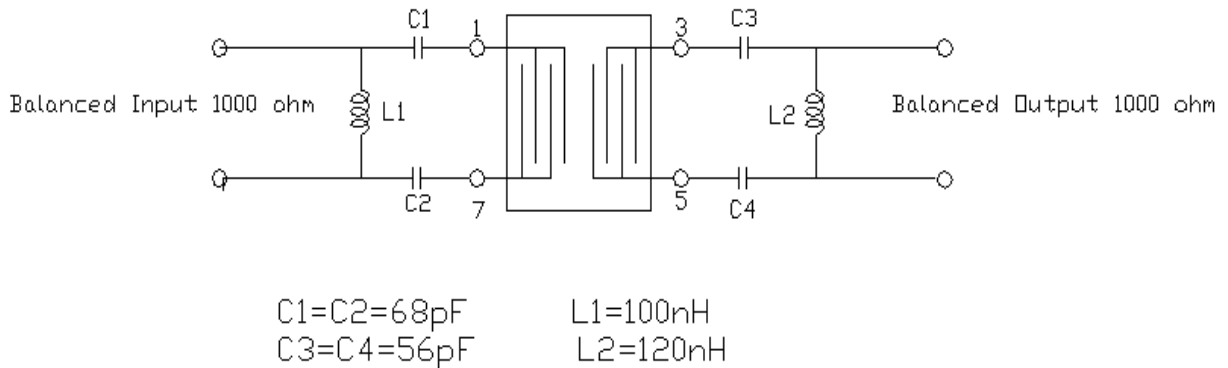


D. Measurement Circuit:

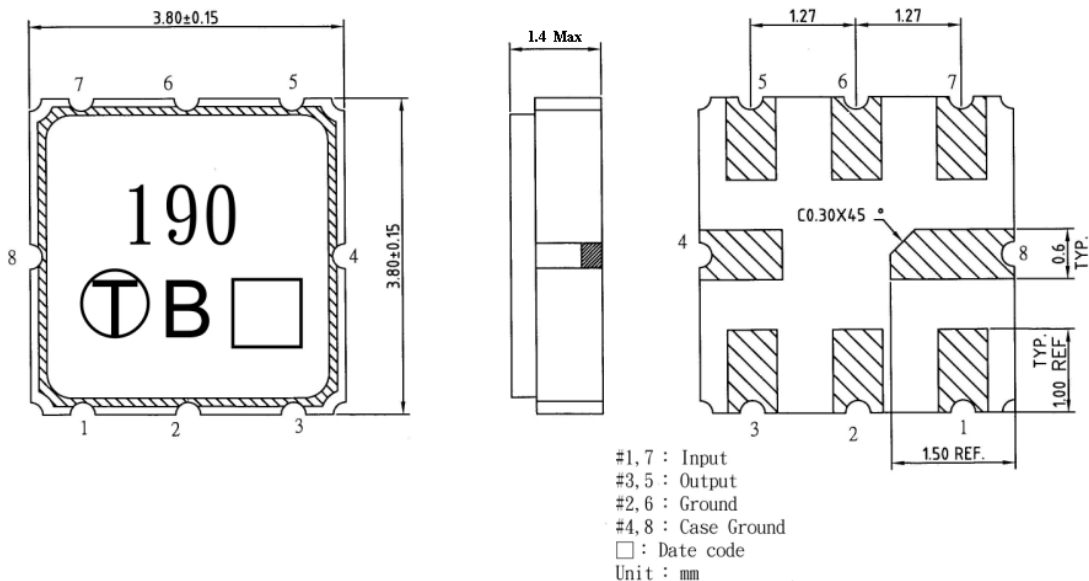
1. For 50 ohm Unbalanced Input and Output



2. For 1000 ohm Balanced Input and Output



E. Outline Drawing:



F. Packing:

Tape and Reel dimension

