



TAI-SAW TECHNOLOGY CO., LTD.

No. 3, Industrial 2nd Rd., Ping-Chen Industrial District,
Taoyuan, 324, Taiwan, R.O.C.

TEL: 886-3-4690038 FAX: 886-3-4697532

E-mail: tstsales3@mail.taisaw.com Web: www.taisaw.com

Approval Sheet For Product Specification

Issued Date:

Product Name: High Attenuation 70MHz IF SAW Filter (BW=3.5MHz)

TST Parts No.: TB0184A

Customer Parts No.: _____

Company: _____
Division: _____
Approved by : _____
Date: _____

Checked by: _____ Vincent Chiu

Approval by: _____ Francis Chen

Date: _____ 22 Oct. 2003



TAI-SAW TECHNOLOGY CO., LTD.

No.3, Industrial 2nd Rd., Ping-Chen Industrial District, Taoyuan, Taiwan, R.O.C.

TEL: 886-3-4690038 FAX: 886-3-4697532

E-mail: tstsales3@mail.taisaw.com Web: www.taisaw.com

High Attenuation 70 MHz IF SAW Filter (SMD 13.3x6.5 mm)

Model No.: TB0184A

Rev. No.:1

A. Maximum Rating:

RoHS Compliant
Lead free
Lead-free soldering

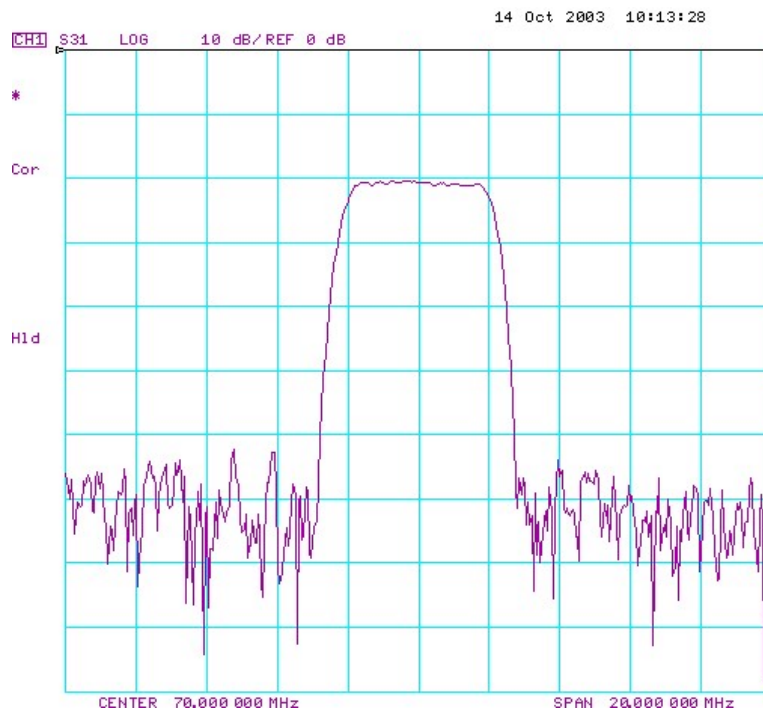
1. Input Power Level: +20 dB_m
2. Operating Temperature: 0°C to +70°C
3. Storage Temperature: -40°C to +85°C

B. Electrical Characteristics:

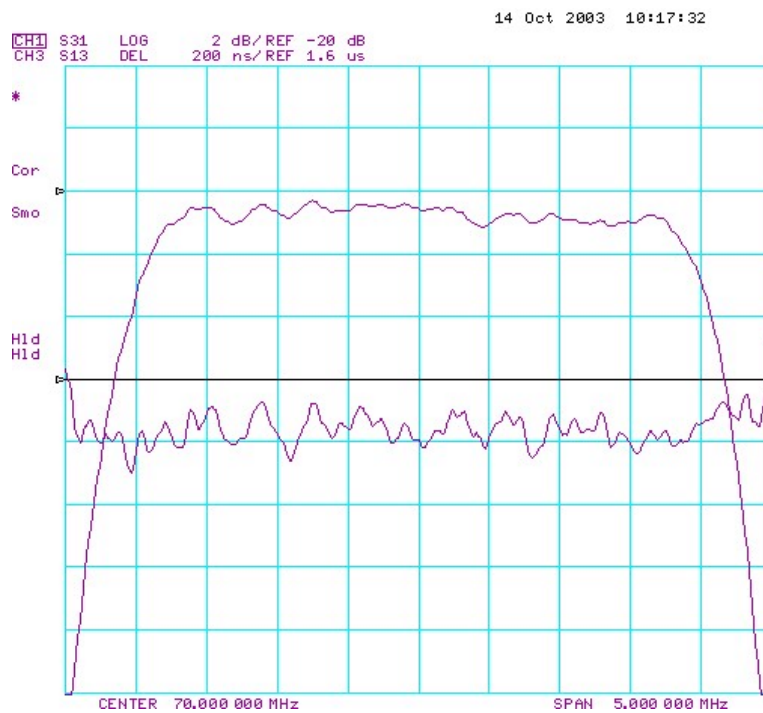
Parameter	Unit	Min.	Typ.	Max.
Center frequency, F_c	MHz	69.8	70	70.2
Insertion Loss, IL	dB	-	21	23
1 dB Bandwidth	MHz	3.5	3.75	-
3 dB Bandwidth	dB	3.8	4.1	-
40 dB Bandwidth	MHz	-	5.5	5.75
Amplitude ripple (68.6MHz~71.4MHz)	dB	-	0.75	1
Phase Linearity (68.5MHz~71.5MHz) (rms)	deg	-	3.5	6
Group Delay ripple (68.5MHz~71.5MHz)	nsec	-	120	150
Absolute Delay	µsec	-	1.4	-
Attenuation (Reference level from 0 dB)				
10 ~ 56MHz	dB	55	63	-
84~140MHz	dB	55	63	-
Substrate Material	-	-	LT	-
Temperature Coefficient	ppm/ °C	-	-18	-
Ambient Temperature	°C	-	25	-

C. Frequency Characteristics:

(1) S21 Response:

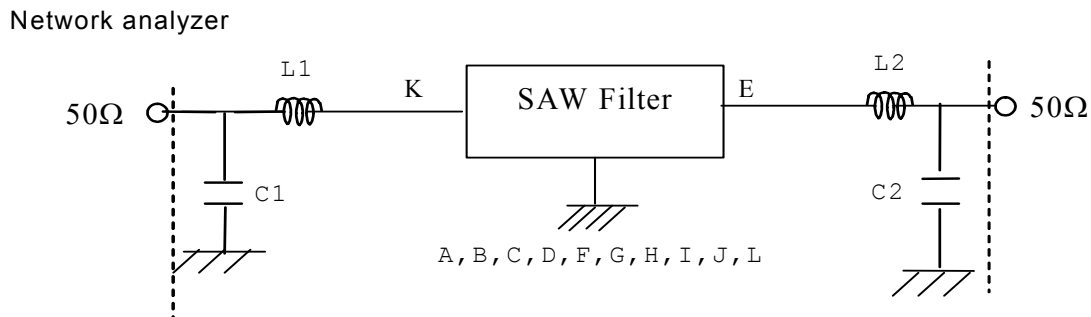


(2) Group Delay and Ripple



D. Measurement Circuit:

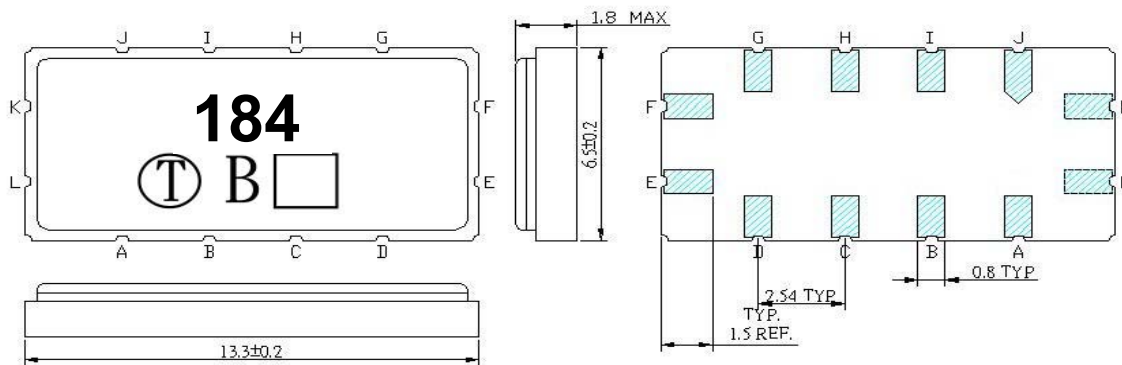
For 50 ohm Unbalanced Input and Output



Input: L1=200 nH, Q>40; C1=33 pF

Output: L2=68 nH, Q>40; C2=82 pF

E. Outline Drawing:



Unit: mm

- Pin K: RF Input
- Pin E: RF Output
- Pin L: Input Ground
- Pin F: Output Ground
- Pin A, B, C, D, G, H, I, J: To be Ground
- : Date code