



TAI-SAW TECHNOLOGY CO., LTD.

No. 3, Industrial 2nd Rd., Ping-Chen Industrial District,
Taoyuan, 324, Taiwan, R.O.C.

TEL: 886-3-4690038 FAX: 886-3-4697532

E-mail: ttsales@mail.taisaw.com Web: www.taisaw.com

Approval Sheet For Product Specification

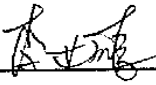
Issued Date:


Product Name: SAW IF Filter 36.125MHz for Digital Cable TV

TST Parts No.: TB0176A

Customer Parts No.: _____

Company: _____
Division: _____
Approved by : _____
Date: _____

Checked by: _____ Kazuma lee 

Approval by: _____ Francis Chen 

Date: _____ 2008/12/15



TAI-SAW TECHNOLOGY CO., LTD.

No.3, Industrial 2nd Rd., Ping-Chen Industrial District, Taoyuan, Taiwan, R.O.C.

TEL : 886-3-4690038 FAX : 886-3-4697532

E-mail : tstsales@ms52.hinet.net Web: www.taisaw.com

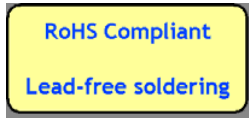
IF SAW Filter 36.125 MHz

MODEL NO.: TB0176A

REV. NO.:7

A. FEATURES:

1. IF Filter for Digital Cable TV



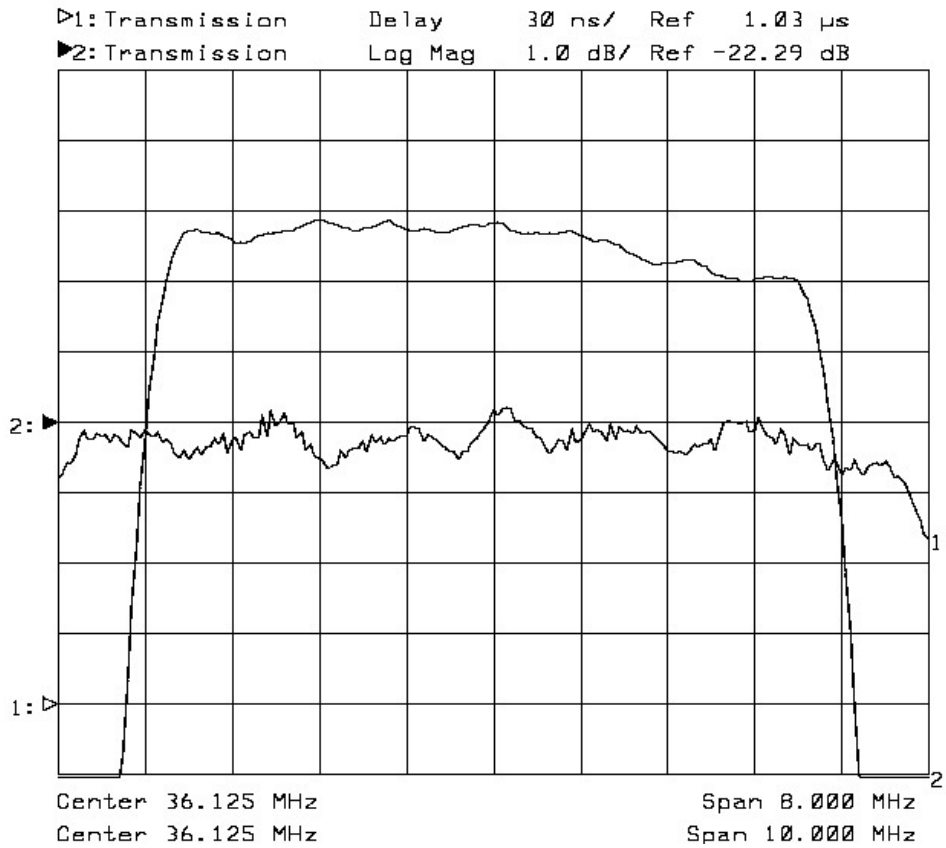
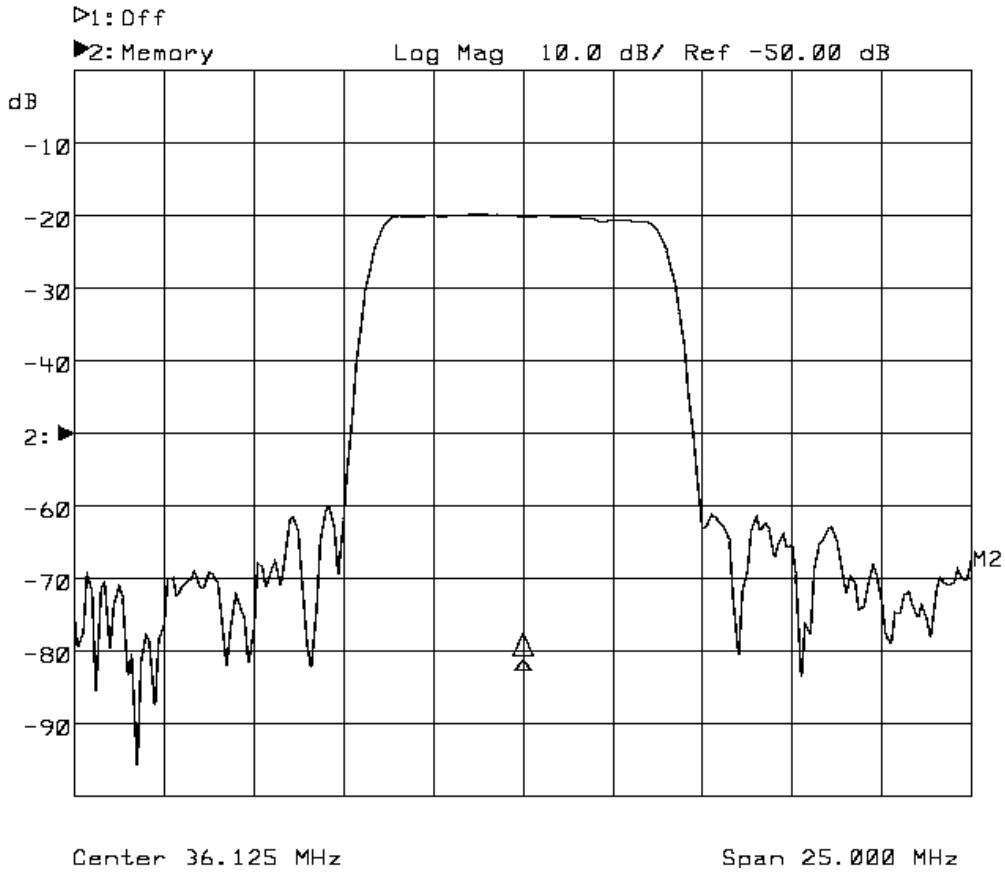
B. MAXIMUM RATING:

- 1. DC voltage: 12 V.
- 2. AC voltage: 10 V.
- 3. Storage Temperature: -40°C to +85 °C.
- 4. Operating Temperature: -25 °C to +65 °C
- Terminating source impedance $Z_S=50\Omega$
- Terminating load impedance $Z_L=2k\Omega//3\text{ pF}$

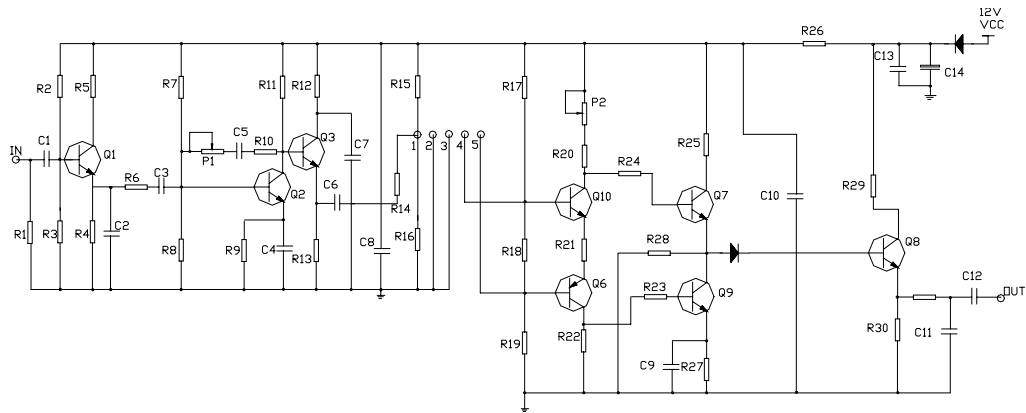
C. ELECTRICAL CHARACTERISTICS:

FREQUENCY(MHz)		VALUE			unit
		Min	Typ.	Max.	
Center frequency		36.00	36.125	36.25	MHz
Insertion attenuation	36.13 MHz	19.7	21.7	23.7	dB
Reference Frequency	36.13 MHz	-	0	-	dB
Pass bandwidth	B_{3dB}	7.8	8.0	8.2	MHz
Pass bandwidth	B_{30dB}	9.2	9.5	9.8	MHz
Relative attenuation	32.32 MHz	-0.3	1.2	2.7	dB
	39.93 MHz	-0.1	1.4	2.9	dB
	32.13 MHz	1.2	3.2	5.2	dB
	40.13 MHz	1.2	3.2	5.2	dB
	31.25 MHz	32	45.0	-	dB
	47.25 MHz	40	50.0	-	dB
Lower sidelobe:	25.00-29.50 MHz	36.0	43.0	-	dB
	29.50-31.25 MHz	32.0	39.0	-	dB
Upper sidelobe:	41.00- 44.00 MHz	31.0	38.0	-	dB
	44.00- 50.00 MHz	36.0	44.0	-	dB
Reflected wave signal suppression		42.0	52.0	-	dB
Feedthrough signal suppression		50.0	56.0	-	dB
Group delay ripple (p-p) 32.13 – 40.13 MHz		-	40	-	ns
Impedance at 36.13 MHz Input: $Z_{in} = R_{in} // C_{in}$ Output: $Z_{out} = R_{out} // C_{out}$		3.6 // 13.0 2.9 // 3.9			$K\Omega // pF$ $K\Omega // pF$
Temperature coefficient TC_f		-	-72	-	ppm/K

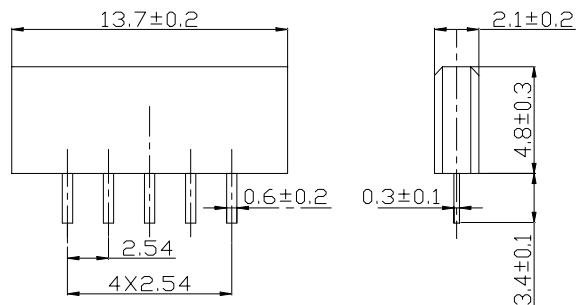
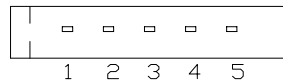
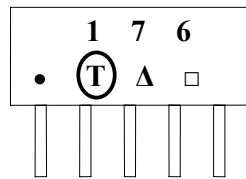
D.FREQUENCY CHARACTERISTICS:



E. TEST CIRCUIT



F. OUTLINE DRAWING:



Pin No. Functions

1. Input
2. input - ground
3. Chip carrier - ground
4. Output
5. Output

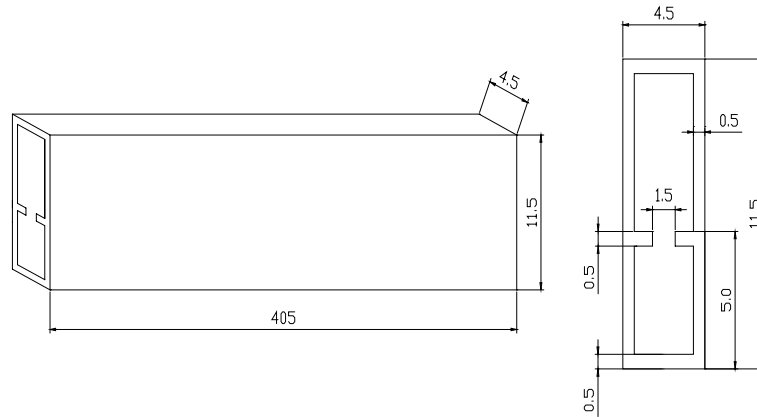
□ : Week Code (Follow the table from planner each year)

△ : Product / Year Code

Year	2005 2009	2006 2010	2007 2011	2008 2012
Product Code	B	b	<u>B</u>	<u>b</u>

G. PACKING:

Inside package:

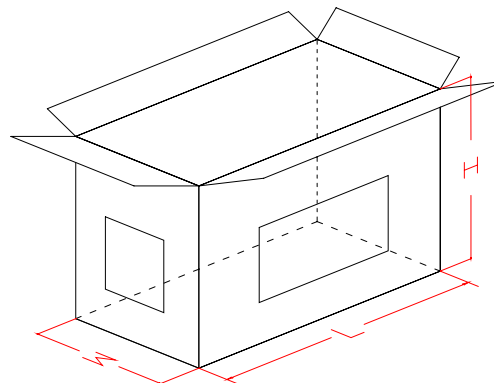


Dimensions of inside package:

Unit: mm

L	W	H	Products contained
405	4.50	11.50	28pcs

Dimensions of outside box:



Unit: mm

L	W	H	Inside box contained
490	260	190	12000PCS

H. RECOMMENDED REFLOW PROFILE_:

