



# TAI-SAW TECHNOLOGY CO., LTD.

No. 3, Industrial 2nd Rd., Ping-Chen Industrial District,  
Taoyuan, 324, Taiwan, R.O.C.

TEL: 886-3-4690038 FAX: 886-3-4697532

E-mail: [ttsales@mail.taisaw.com](mailto:ttsales@mail.taisaw.com) Web: [www.taisaw.com](http://www.taisaw.com)

## Approval Sheet For Product Specification

Issued Date:

Product Name: SAW IF Filter 380MHz

TST Parts No.: TB 0122A

Customer Parts No.: \_\_\_\_\_

Company: _____
Division: _____
Approved by : _____
Date: _____

Checked by: \_\_\_\_\_ Andy Lee

Approval by: \_\_\_\_\_ Francis Chen

Date: \_\_\_\_\_ 2,25 ,2005



# TAI-SAW TECHNOLOGY CO., LTD.

No. 3, Industrial 2nd Rd., Ping-Chen Industrial District,  
Taoyuan, 324, Taiwan, R.O.C.

TEL: 886-3-4690038 FAX: 886-3-4697532

E-mail: [tstsales@mail.taisaw.com](mailto:tstsales@mail.taisaw.com) Web: [www.taisaw.com](http://www.taisaw.com)

## SAW IF Filter 380 MHz

MODEL NO.: TB0122A

REV. NO.:5

### A. MAXIMUM RATING:

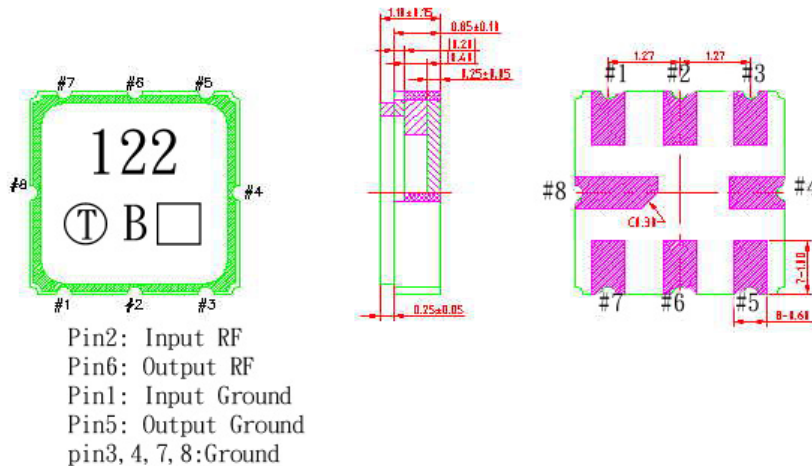
1. Input Power Level: 10 dB<sub>m</sub>
2. DC voltage: 0 V
3. Operating Temperature: -30°C to +70°C
4. Storage Temperature: -30°C to +70°C

RoHS Compliant  
Lead free  
Lead-free soldering

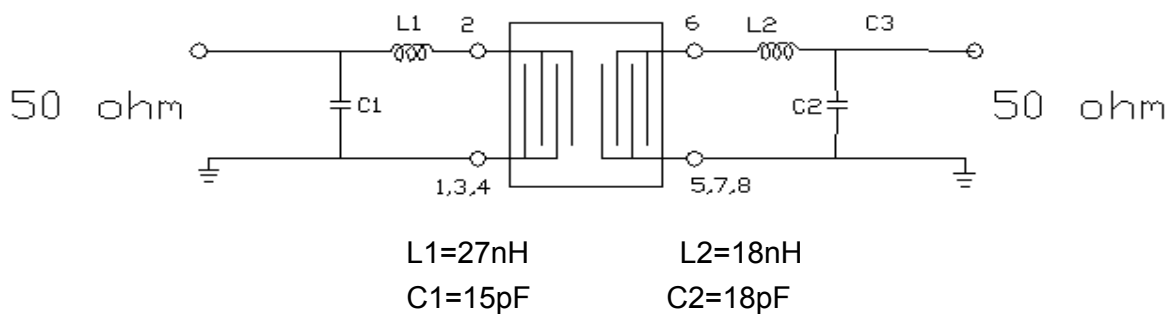
### B. ELECTRICAL CHARACTERISTICS:

Item	Unit	Min.	Typical.	Max.	Note
Center frequency, <b>F<sub>c</sub></b>	MHz	-	380	-	
Insertion Loss, <b>IL</b>	dB	-	9.7	11	
Passband width, <b>BW<sub>3</sub></b>	MHz	4.8	7.81		
Phase Linearity in F <sub>c</sub> ±2MHz (RMS)	Deg	-	1.7	3	
Attenuation:(Reference level from Min IL)					
360-373 MHz	dB	28	38	-	
387-400 MHz	dB	28	36	-	
Ultimate Rejection	dB		50	-	
Substrate Material	LiTaO <sub>3</sub>				

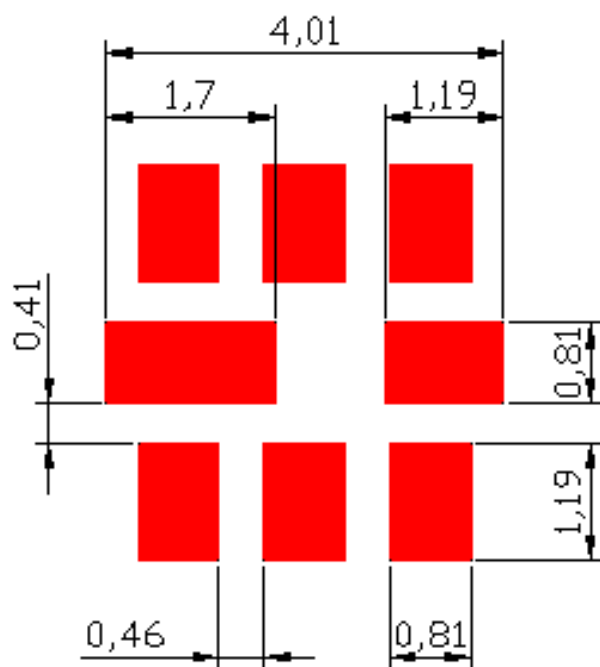
### C. OUTLINE DRAWING:



**D. MATCHING CIRCUIT:**



**E. PCB FOOTPRINT:**



## F. FREQUENCY CHARACTERISTICS:

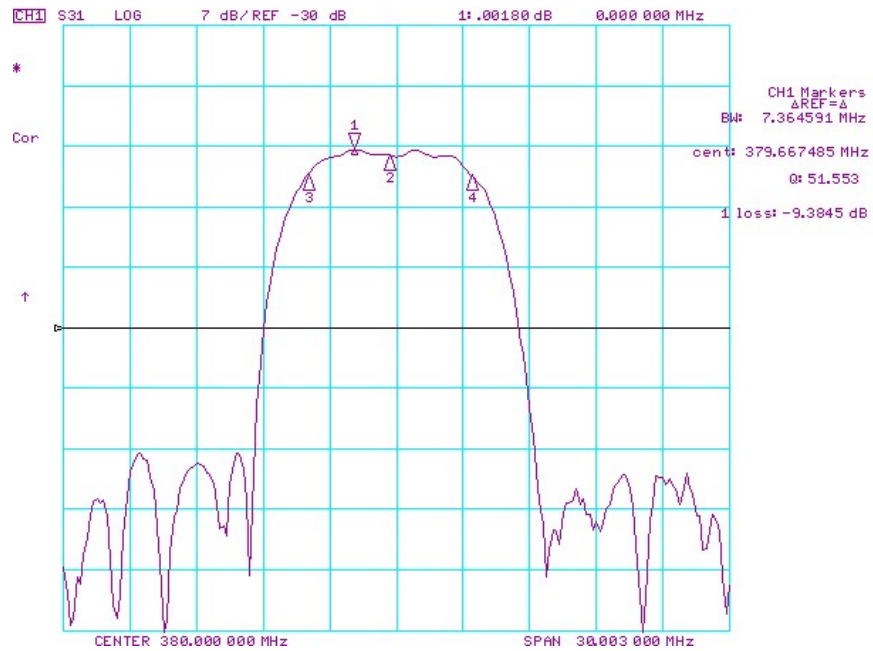


Fig-1 S21 Response Horizontal: 3MHz/Div  
 Vertical: 7dB/Div



Fig-2 Phase Linearity Horizontal: 1MHz/Div  
 Vertical: 5 dB/Div Vertical: 5 deg/Div

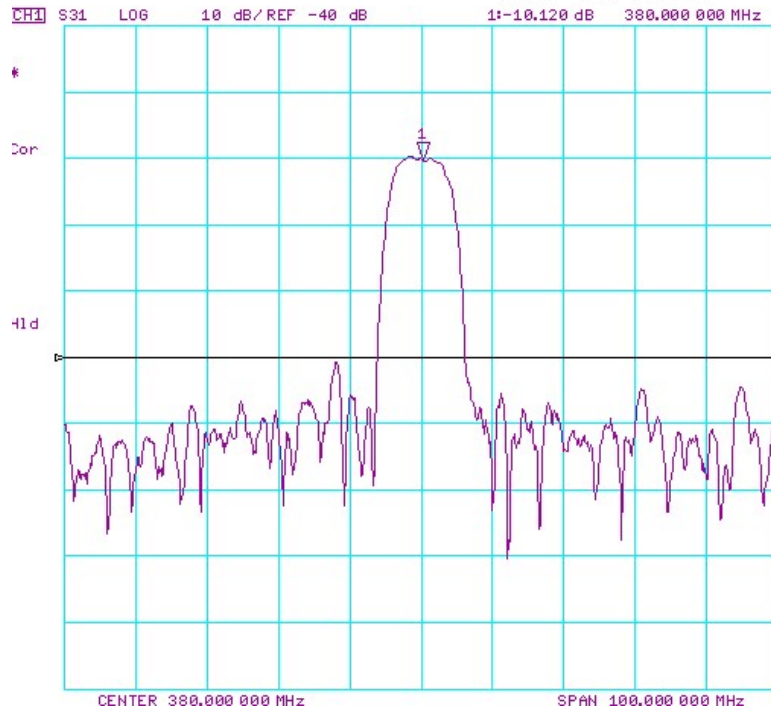
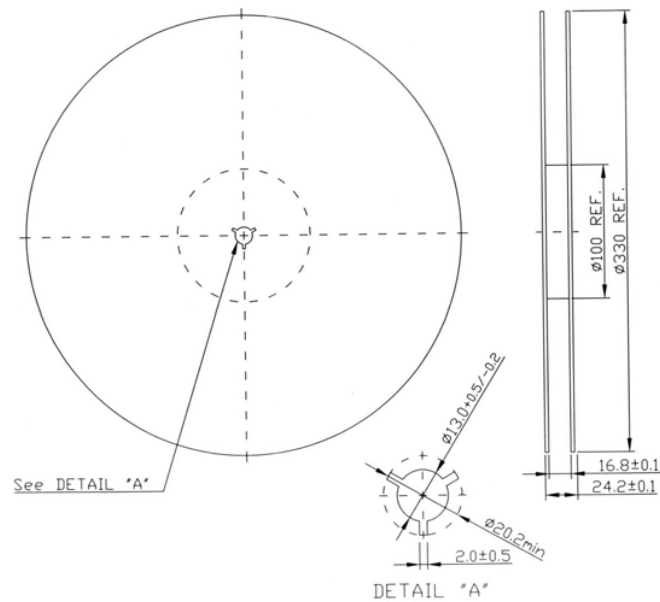


Fig-3 wide-band response Horizontal:10 MHz/Div  
Vertical: 10 dB/Div

## G. PACKING:

### 1. REEL DIMENSION



## 2. TAPE DIMENSION

