

January 16, 1998

TEL:805-498-2111 FAX:805-498-3804 WEB:http://www.semtech.com

### STANDARD RECOVERY, PCB MOUNTING, 1-PHASE FULL WAVE BRIDGE RECTIFIER ASSEMBLIES

### QUICK REFERENCE DATA

- Low forward voltage drop
- Low reverse leakage current
- Subminiature design
- Three lead configurations
- Pcb mounting

- $V_R = 200V - 1000V$
- $I_F = 3.0A$
- $I_R = 2.0 \mu A$
- $t_{rr} = 2.0\mu S$

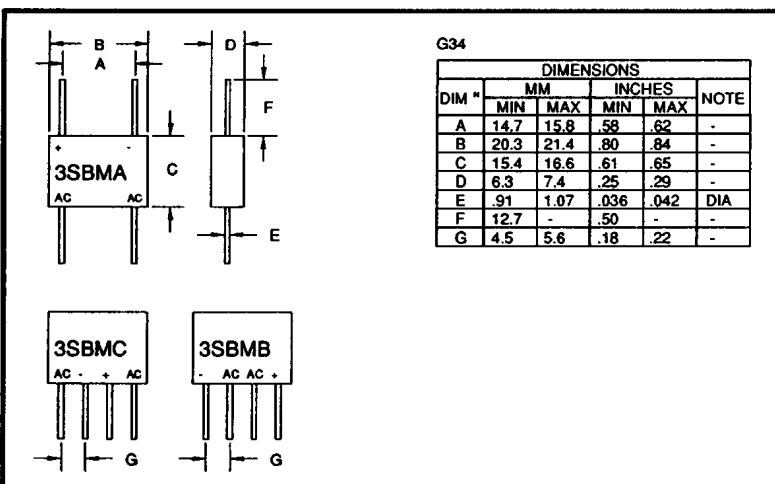
### ABSOLUTE MAXIMUM RATINGS & CHARACTERISTICS

| Device Type | Working Reverse Voltage<br>$V_{RWM}$ | Average Rectified Current<br>$I_{F(AV)}$ |         | 1 Cycle Surge Current<br>$I_{FSM}$<br>$t_p = 8.3ms$ | Repetitive Surge Current<br>$I_{FRM}$ | Reverse Leakage Current<br>$I_R @ V_{RWM}$ |         | Forward Voltage drop<br>$V_F @ 3A/leg$<br>$@ 25^\circ C$ | Reverse Recovery Time<br>$t_{rr}$<br>$@ 25^\circ C$ |
|-------------|--------------------------------------|--|---------|---|---------------------------------------|--|---------|--|---|
|             |                                      | @ 55°C                                   | @ 100°C | @ 25°C  | @ 25°C                                | @ 25°C                                     | @ 100°C |  |   |
|             |                                      | Volts                                    | Amps    | Amps  | Amps                                  | Amps                                       | $\mu A$ |  |   |
| 3SBM*2      | 200                                  | 3.0                                      | 1.5     | 150   | 25                                    | 2.0  | 40      | 1.0  | 2.0   |
| 3SBM*4      | 400                                  | 3.0                                      | 1.5     | 150   | 25                                    | 2.0  | 40      | 1.0  |   |
| 3SBM*6      | 600                                  | 3.0                                      | 1.5     | 150   | 25                                    | 2.0  | 40      | 1.0  |   |
| 3SBM*8      | 800                                  | 3.0                                      | 1.5     | 150   | 25                                    | 2.0  | 40      | 1.0  |   |
| 3SBM*0      | 1000                                 | 3.0                                      | 1.5     | 150   | 25                                    | 2.0  | 40      | 1.0  |   |

\* Add A, B, C for desired circuit configuration  
(see Mechanical outline)

<sup>1</sup> Measured on discrete devices prior to assembly

### MECHANICAL



January 16, 1998

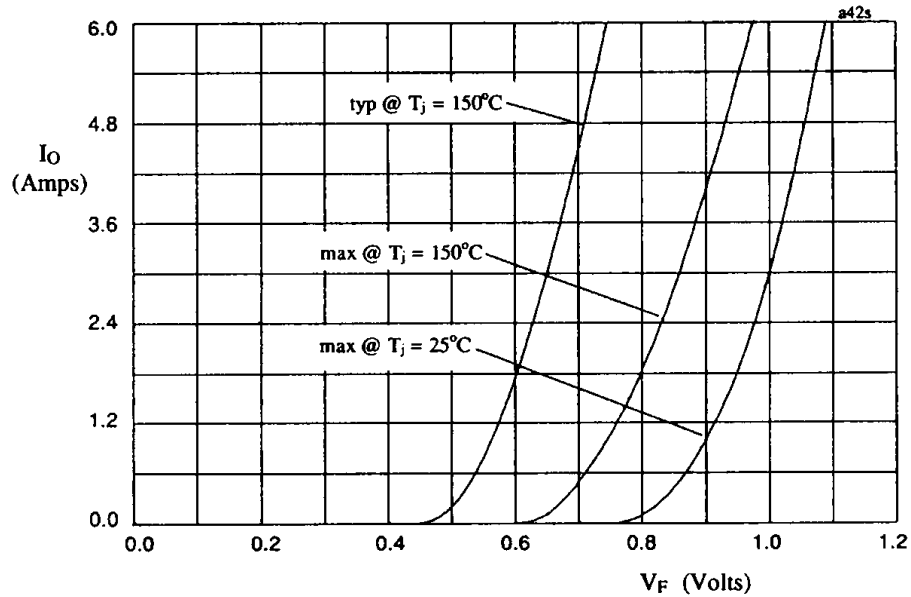


Fig 1. Forward voltage drop against output current per leg

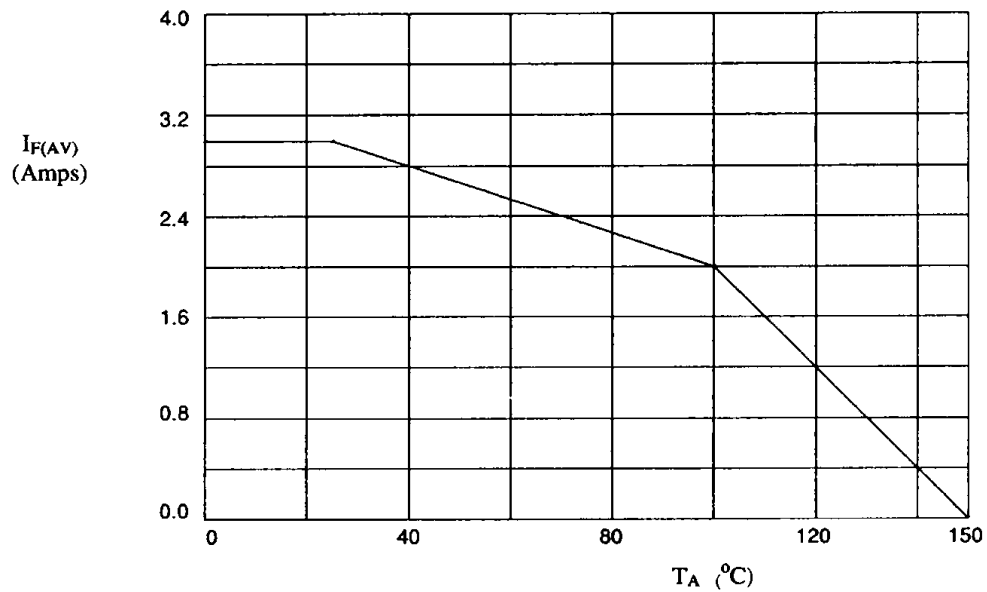


Fig 2. Maximum average forward current against ambient temperature.