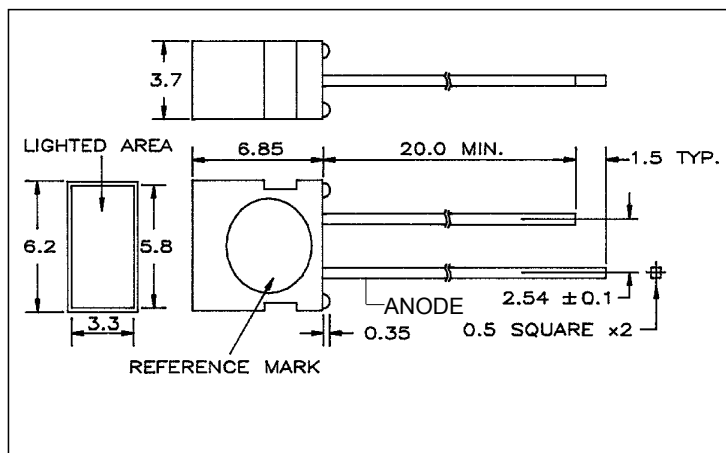


Reflector Cap Rectangular LED Lamps

FEATURES

- Diffused lens
- All plastic mold type
- Low drive current
- Other colors/materials available



MAXIMUM RATINGS (Ta = 25°C)

PART NO.	FORWARD CURRENT (I _F) (mA)	REVERSE VOLTAGE (V _R) (V)	POWER DISSIPATION (P _D) (mW)	OPERATING TEMPERATURE (T _{opr}) (°C)	STORAGE TEMPERATURE (T _{stg}) (°C)
MT1173-RG	30	5.0	85	-25~+85	-25~+100
MT2173-G	30	5.0	85	-25~+85	-25~+100
MT3173-Y	30	5.0	85	-25~+85	-25~+100
MT4173-O	30	5.0	85	-25~+85	-25~+100
MT4173-HR	30	5.0	85	-25~+85	-25~+100

OPTO-ELECTRICAL CHARACTERISTICS (Ta = 25°C)

PART NO.	MATERIAL	LENS COLOR	VIEWING ANGLE typ.	LUMINOUS INTENSITY (mcd)			FORWARD VOLTAGE (V)			REVERSE CURRENT		PEAK WAVE LENGTH
				min.	typ.	@mA	typ.	max.	@mA	µA	Vr	nm
MT1173-RG	GaP	Red Diff	60°	2.0	3.4	20	2.1	3.0	20	100	5	700
MT2173-G	GaP	Green Diff	60°	5.3	8.8	20	2.1	3.0	20	100	5	567
MT3173-Y	GaAsP/GaP	Yellow Diff	60°	4.3	7.2	20	2.1	3.0	20	100	5	585
MT4173-O	GaAsP/GaP	Orange Diff	60°	6.1	10.1	20	2.1	3.0	20	100	5	635
MT4173-HR	GaAsP/GaP	Red Diff	60°	6.1	10.1	20	2.1	3.0	20	100	5	635



120 Broadway • Menands, New York 12204

Toll Free: (800) 98-4LEDS • Fax: (518) 432-7454

For up-to-date product info visit our web site at www.marktechopto.com

All specifications subject to change.