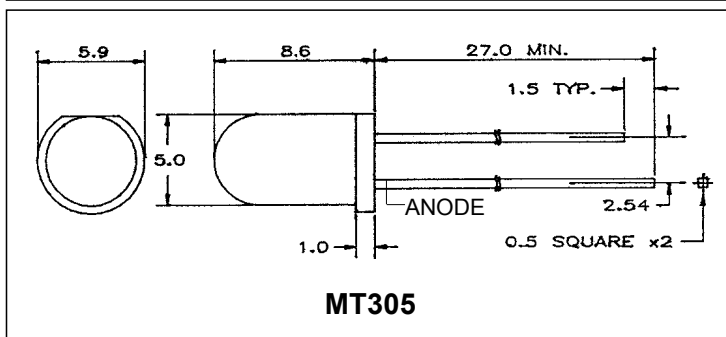
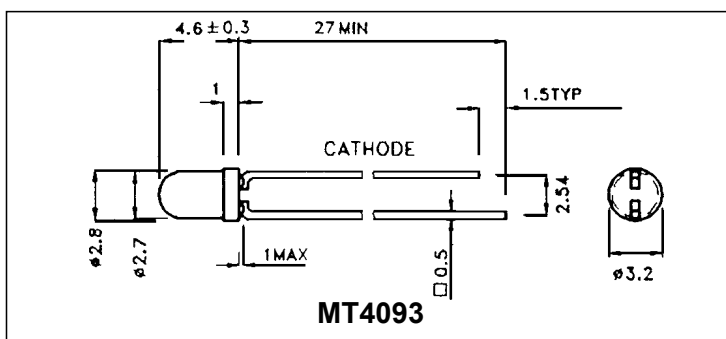


Low Current LED Lamps

FEATURES

- Optimized for low D.C. current operation
- CMOS and TTL compatible
- Excellent brightness at 2mA
- Color diffused package



MAXIMUM RATINGS (Ta = 25°C)

PART NO.	FORWARD CURRENT (I _F) (mA)	REVERSE VOLTAGE (V _R) (V)	POWER DISSIPATION (P _D) (mW)	OPERATING TEMPERATURE (T _{opr}) (°C)	STORAGE TEMPERATURE (T _{stg}) (°C)
MT4093-HR(2mA)	30	5.0	105	-40~+85	-40~+85
MT4093-G(2mA)	25	5.0	105	-40~+85	-40~+85
MT4093-Y(2mA)	30	5.0	105	-40~+85	-40~+85
MT4093-UR(2mA)	30	5.0	100	-40~+85	-40~+85
MT305-SLHR(2mA)	30	5.0	105	-40~+85	-40~+85
MT305-SLG(2mA)	30	5.0	105	-40~+85	-40~+85
MT305-SLY(2mA)	30	5.0	105	-40~+85	-40~+85
MT305-SLUR(2mA)	30	5.0	100	-40~+85	-40~+85

OPTO-ELECTRICAL CHARACTERISTICS (Ta = 25°C)

PART NO.	MATERIAL	LENS COLOR	VIEWING ANGLE typ.	LUMINOUS INTENSITY (mcd)			FORWARD VOLTAGE (V)			REVERSE CURRENT		PEAK WAVE LENGTH
				min.	max.	@mA	typ.	max.	@mA	µA	Vr	nm
MT4093-HR(2mA)	GaAsP/GaP	Red Diff	60°	0.8	5.0	2	2.0	2.5	20	10	5	625
MT4093-G(2mA)	GaP	Green Diff	60°	0.8	3.2	2	2.2	2.5	20	10	5	565
MT4093-Y(2mA)	GaAsP/GaP	Yellow Diff	60°	0.8	3.2	2	2.1	2.5	20	10	5	590
MT4093-UR(2mA)	GaAlAs	Red Diff	60°	8.0	20.0	2	1.85	2.5	20	10	5	660
MT305-SLHR(2mA)	GaAsP/GaP	Red Diff	60°	0.8	5.0	2	2.0	2.5	20	10	5	625
MT305-SLG(2mA)	GaP	Green Diff	60°	0.8	3.2	2	2.2	2.5	20	10	5	565
MT305-SLY(2mA)	GaAsP/GaP	Yellow Diff	60°	0.8	3.2	2	2.1	2.5	20	10	5	590
MT305-SLUR(2mA)	GaAlAs	Red Diff	60°	8.0	20.0	2	1.85	2.5	20	10	5	660



120 Broadway • Menands, New York 12204
Toll Free: (800) 98-4LEDS • Fax: (518) 432-7454

For up-to-date product info visit our web site at www.marktechopto.com

All specifications subject to change.