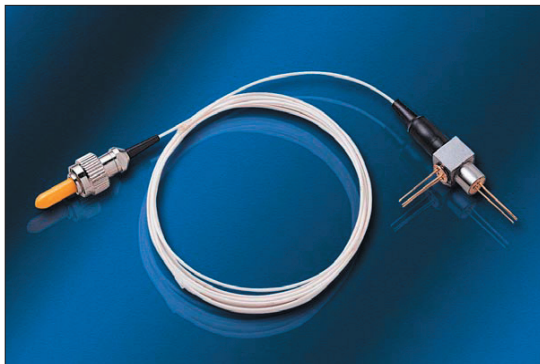


C-13/14-FXX-PX-SXXX/XXX-XX



Features

- Single fiber bi-directional operation
- Laser diode with multi-quantum-well structure
- Low threshold current
- InGaAs/InP PIN Photodiode with trans-impedance amplifier
- High sensitivity with AGC*
- Differential ended output
- Single +3.3V Power Supply
- Integrated WDM coupler
- Un-cooled operation from -40°C to +85°C
- Hermetically sealed active component
- Single mode fiber pigtailed with optical FC/ST/SC/MU/LC connector
- Design for fiber optic networks
- RoHS Compliant available

Absolute Maximum Rating (Tc=25°C)

Parameter	Symbol	Value	Unit
Fiber Output Power L / M / H	P_f	1(L) / 1.5(M) / 2.5(H)	mW
LD Reverse Voltage	V_{RLD}	2	V
PIN-TIA Voltage	V_{CC}	4.5	V
Operating Temperature	T_{opr}	-40 to +85	°C
Storage Temperature	T_{stg}	-40 to +85	°C

(All optical data refer to a coupled 9/125µm SM fiber)

Optical and Electrical Characteristics (Tc=25°C)

Parameter	Symbol	Min	Typical	Max	Unit	Test Condition	
Laser Diode							
Optical Output Power	L M H	P_f	0.2 0.5 1	0.35 0.75 1.6	0.5 1 -	mW	CW, $I_{th}+20mA$, kink free
Peak Wavelength		λ	1290	1310	1330	nm	CW, $P_f=P_f(\text{Min})$
Spectrum Width (RMS)		$\Delta\lambda$	-	-	3	nm	CW, $P_f=P_f(\text{Min})$
Threshold Current		I_{th}	-	10	15	mA	CW
Forward Voltage		V_f	-	1.2	1.5	V	CW, $P_f=P_f(\text{Min})$
Rise/Fall Time		t_r / t_f	-	-	0.3	ns	$I_{bias}=I_{th}$, 10% to 90%
Monitor Diode							
Monitor Current		I_m	100	-	-	µA	CW, $P_f=P_f(\text{Min})$, $V_{RPD}=2V$
Dark Current		I_{DARK}	-	-	0.1	µA	$V_{RPD}=5V$
Capacitance		C_t	-	6	15	pF	$V_{RPD}=5V$, $f=1MHz$
Module							
Tracking Error		$\Delta P_f/P_f$	-1.5	-	1.5	dB	APC, -40 to +85°C
Optical Crosstalk		CRT		< -45		dB	

Note:

- 1.Pin assignment can be customized.
- 2.Specifications subject to change without notice.

Detector $\lambda=1480-1500\text{nm}$

DC Electrical Characteristics($T_c=25^\circ\text{C}$)

Parameter	Symbol		Min	Typical	Max	Unit	Test Condition
Power Supply	V_{cc}		3.0	3.3	3.6	V	
Differential Output Voltage	V_d	F02	-	-	1000	mV	
		F04	-	260	450		
		F06	185	250	415		
Supply Current (no load)	I_{cc}	F02	-	-	35	mA	
		F04	-	21	30		
		F06	-	26	50		

AC/Optical and Electrical Characteristics($T_c=25^\circ\text{C}$)

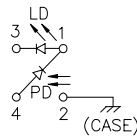
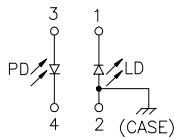
Parameter	Symbol		Min	Typical	Max	Unit	Test Condition
Detection Range			1480	-	1500	nm	-
Gain @ 10 Mbps Differential	G	F02	52	-	70	V/mW	Measure differentially, AC coupled, $R_L=50\Omega$
		F04	6	7	-		Measure differentially, AC coupled, $R_L=50\Omega$
		F06	1.92	2.5	3.4		Measure differentially with 30uAp-p signal
Bandwidth	BW	F02	120	140	-	MHz	
		F04	404	470	-		
		F06	700	920	1100		
Saturation Power	Psat	F02	-3	0	-	dBm	BER<10 ⁻¹⁰ @155Mbps PRBS 2 ²³ -1, Er=10dB
		F04	-7	-6	-		BER<10 ⁻¹⁰ @622Mbps PRBS 2 ²³ -1, Er=10dB
		F06	-3	-	-		BER<10 ⁻¹² @1.25Gbps PRBS 2 ⁷ -1, Er=10dB
Sensitivity	Sens.	F02	-	-38	-35	dBm	BER<10 ⁻¹⁰ @155Mbps PRBS 2 ²³ -1, Er=10dB
		F04	-	-33	-30		BER<10 ⁻¹⁰ @622Mbps PRBS 2 ²³ -1, Er=10dB
		F06	-	-26	-23		BER<10 ⁻¹² @1.25Gbps PRBS 2 ⁷ -1, Er=10dB
Output Resistance	Rout	F02	-	50	-	ohm	
		F04	48	50	52		
		F06	48	50	62		

Pin Assignment

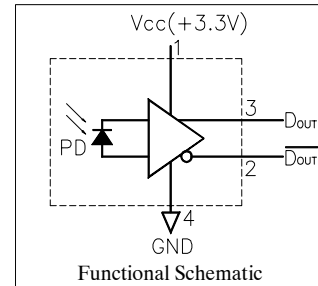
Pin Assignment

LD Pin Assignment

- | | |
|--|--|
| <p>A Type</p> <ul style="list-style-type: none"> Pin 1 : Laser Cathode Pin 2 : Laser Anode and Case Gnd Pin 3 : Monitor Diode Anode Pin 4 : Monitor Diode Cathode | <p>D Type</p> <ul style="list-style-type: none"> Pin 1 : Laser Anode and Monitor Diode Cathode Pin 2 : Case Gnd Pin 3 : Laser Cathode Pin 4 : Monitor Diode Anode |
|--|--|



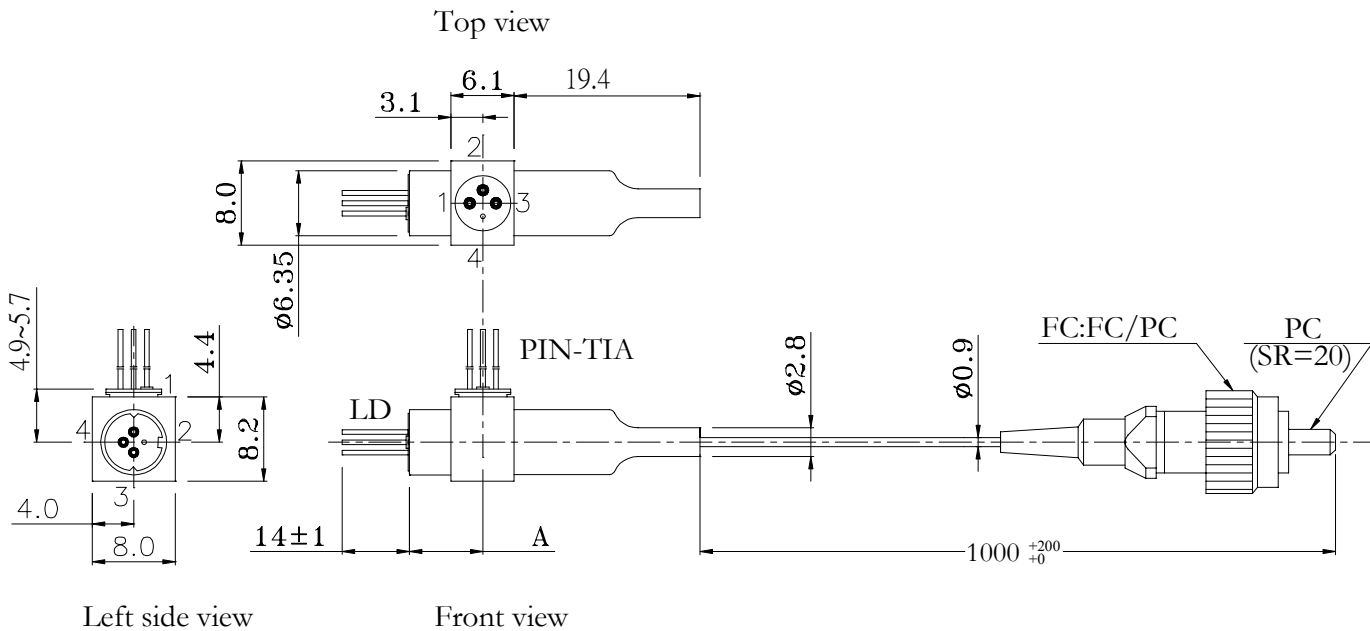
PIN-TIA Pin Assignment



Outline Dimensions

Units in mm.

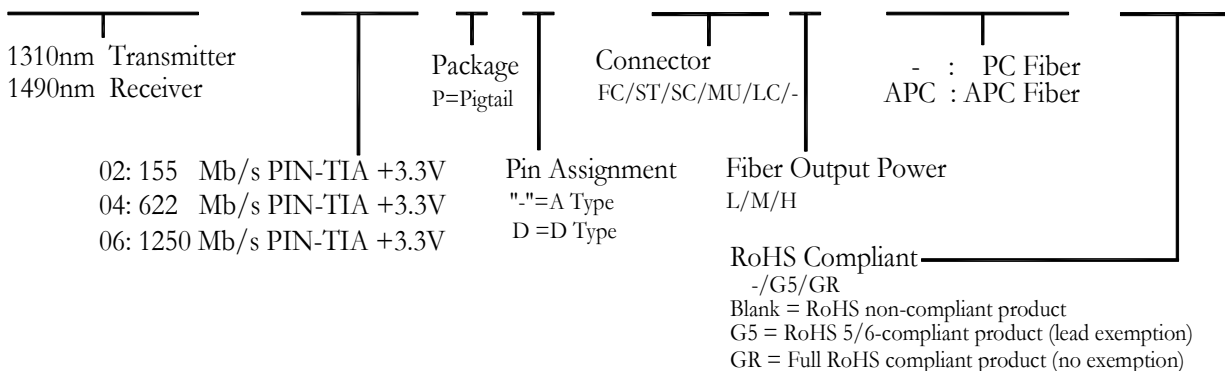
Part Number: C-13/14-FXX-PX-SXXX/XXX-XX



DIMENSION: A:7.0~7.6 mm (Low & Middle power)
A:9.3~9.9 mm (High power)

Ordering Information

C-13/14-FXX-PX-SXXX/XXX-XX



Warnings

Handling Precautions: This device is susceptible to damage as a result of electrostatic discharge (ESD). A static free environment is highly recommended. Follow guidelines according to proper ESD procedures.
Laser Safety: Radiation emitted by laser devices can be dangerous to human eyes. Avoid eye exposure to direct or indirect radiation.

Legal Notice

IMPORTANT NOTICE!
All information contained in this document is subject to change without notice, at LuminentOIC' s sole and absolute discretion. LuminentOIC warrants performance of its products to current specifications only in accordance with the company' s standard one-year warranty; however, specifications designated as "preliminary" are given to describe components only, and LuminentOIC expressly disclaims any and all warranties for said products, including express, implied, and statutory warranties, warranties of merchantability, fitness for a particular purpose, and non-infringement of proprietary rights. Please refer to the company' s Terms and Conditions of Sale for further warranty information.

LuminentOIC assumes no liability for applications assistance, customer product design, software performance, or infringement of patents, services, or intellectual property described herein. No license, either express or implied, is granted under any patent right, copyright, or intellectual property right, and LuminentOIC makes no representations or warranties that the product(s) described herein are free from patent, copyright, or intellectual property rights. Products described in this document are NOT intended for use in implantation or other life support applications where malfunction may result in injury or death to persons. LuminentOIC customers using or selling products for use in such applications do so at their own risk and agree to fully defend and indemnify LuminentOIC for any damages resulting from such use or sale.

THE INFORMATION CONTAINED IN THIS DOCUMENT IS PROVIDED ON AN "AS IS" BASIS. Customer agrees that LuminentOIC is not liable for any actual, consequential, exemplary, or other damages arising directly or indirectly from any use of the information contained in this document. Customer must contact LuminentOIC to obtain the latest version of this publication to verify, before placing any order, that the information contained herein is current.

© LuminentOIC, Inc. 2006
All rights reserved