

4:1 Step-up Transformer

Rev N

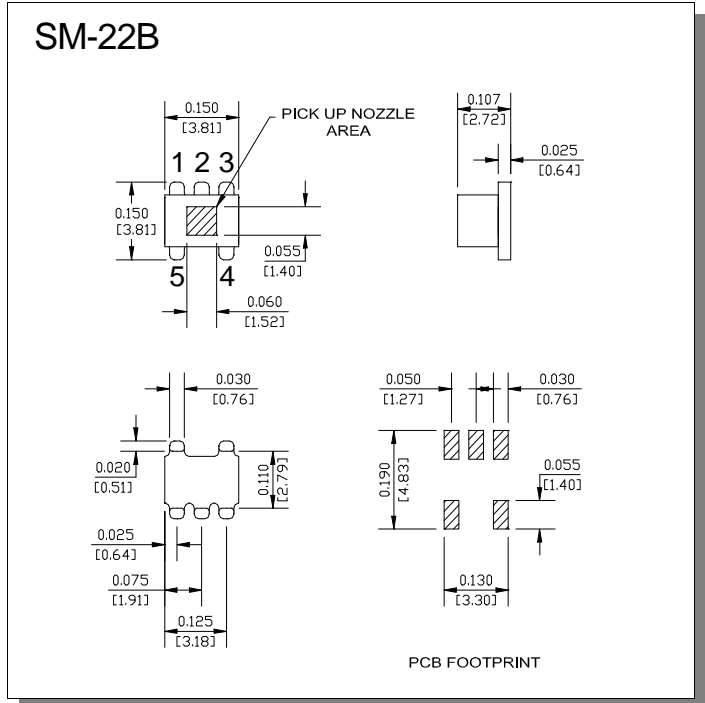
2.0 - 800 MHz

Features:

- Surface mount
- Center tap on secondary
- Available on tape & reel

Description

M/A Com's ETC4-1-2 is a 4:1 flux coupled step-up transformer in a low cost, surface mount package. Ideally suited for high volume wireless applications.



Dimensions in inches [mm] Tolerance: .xx ± .02, .xxx ± .010

Ordering Information

Part Number	Package
ETC4-1-2TR	Tape & Reel

Electrical Specifications: 25°C, Impedance = 50 Ω

Parameter	Frequency (MHz)	Units	Minimum	Typical	Maximum
Frequency Range	2.0-800				
Insertion Loss	10 -100	dB	-	0.9	1.0
Insertion Loss	5.0-600	dB	-	1.6	2.0
Insertion Loss	2.0-800	dB	-	2.5	3.0
Amplitude Unbalance	10-100	dB	-	0.2	0.25
Amplitude Unbalance	2.0-800	dB	-	0.8	1.0
Phase Unbalance	10-500	°	-	1.5	2.0
Phase Unbalance	2.0-800	°	-	4.0	10.0

ETC4-1-2

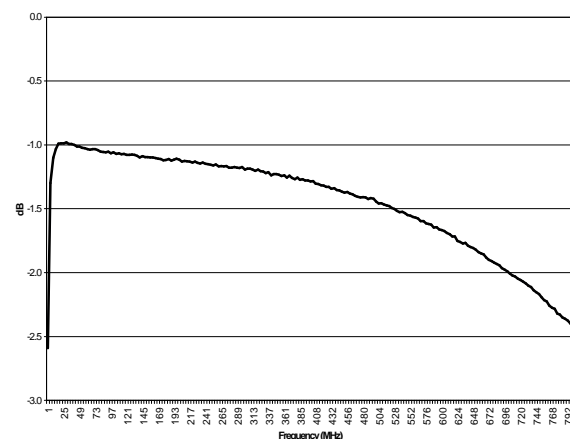
Absolute Maximum Ratings

Parameter	Maximum
RF input power	250mW
DC current	30mA
Operating temperature	-40°C - +85°C
Storage temperature	-40°C - +85°C

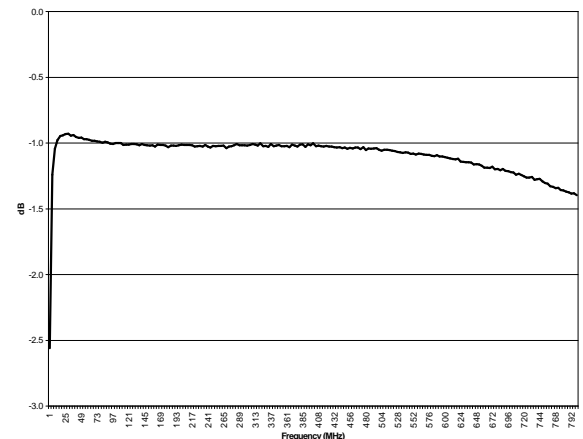
Pin Configuration

Function	Pin #
Secondary	1
Secondary CT	2
Secondary Dot	3
Primary Dot	4
Primary	5

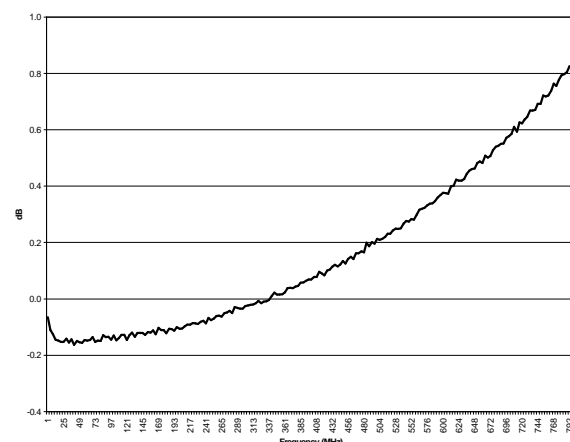
Insertion Loss Port 1



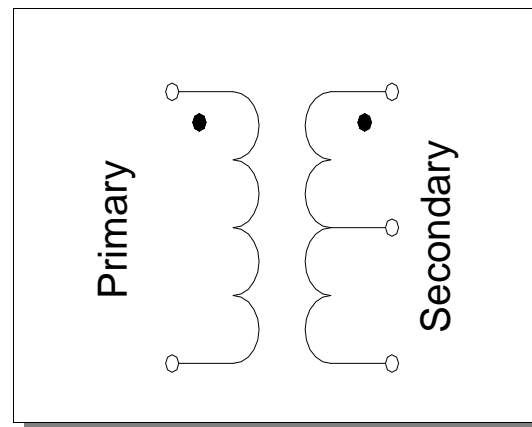
Insertion Loss Port 2



Amplitude Unbalance



Schematic



Specification subject to change without notice.
 North America: (800) 366-2266
 Asia/Pacific: +81-44-844-8296
 Europe: +44 (1344) 869 595