

**E-Series RF 1:4 Transmission Line Step-up Transformer
500 – 2500 MHz**

**ETC1.6-4-2-3
V3**

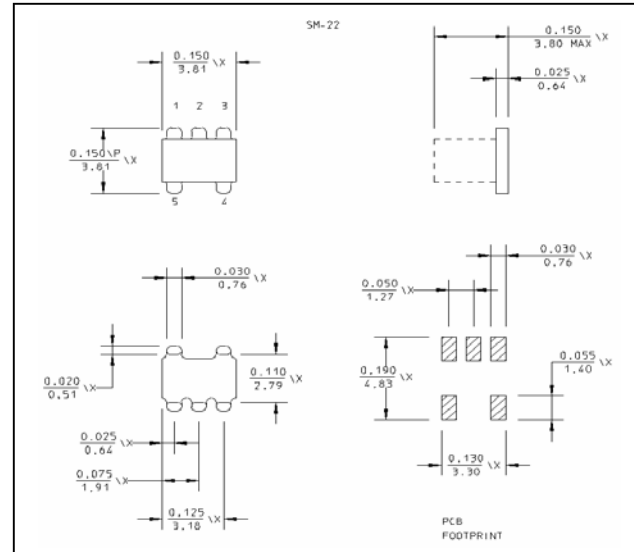
Features

- 1:4 Impedance Ratio
- CT on Secondary
- Surface Mount
- Tape and reel packaging available

Description

M/A-COM's ETC1.6-4-2-3 is a 4:1 RF transmission line step-up transformer in a low cost, surface mount package. Ideally suited for high volume cellular and wireless applications. Typical applications include single to balanced mode conversion and impedance matching. Parts are packaged in tape & reel.

SM - 22 Package



Electrical Specifications: $T_A = 25^\circ\text{C}$, $Z_0 = 50\Omega$ ¹

Parameter	Test Conditions	Frequency	Units	Min	Typ	Max
RF Frequency	—	500 - 2500	MHz	—	—	—
Insertion Loss	$F_L - f_U$	500 - 750	dB	—	—	3.0
		750 - 1200	dB	—	—	1.0
		1200 - 2500	dB	—	—	3.0

Absolute Maximum Ratings¹

Parameter	Absolute Maximum
DC Power	250 mW
DC Current	30 mA
Operating Temperature	-40°C to +85°C
Storage Temperature	-55°C to +125°C

1. Operation of this device above any one of these parameters may cause permanent damage.

Ordering Information

Part Number	Package
ETC1.6-4-2-3TR	Tape and Reel (2000 piece Reel)

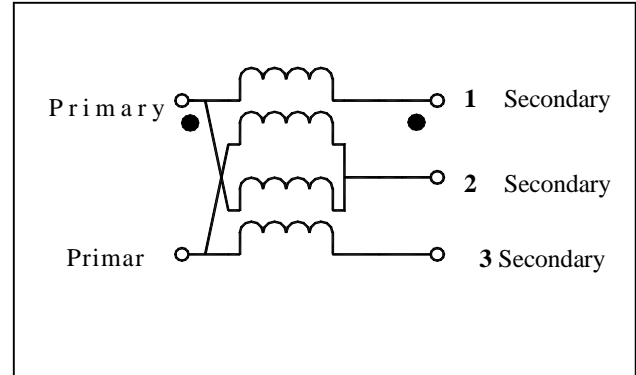
**E-Series RF 1:4 Transmission Line Step-up Transformer
500 – 2500 MHz**

ETC1.6-4-2-3
V3

Pin Configuration

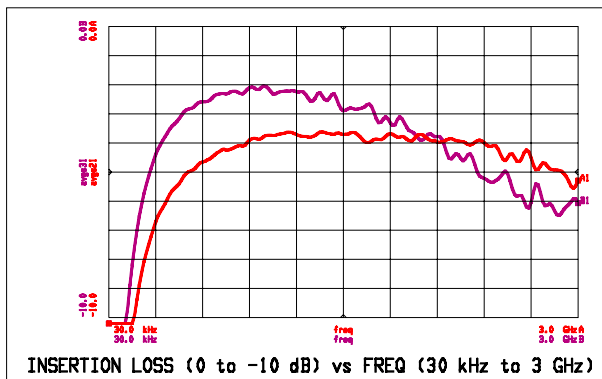
Pin No.	Function
1	Secondary Dot
2	Secondary CT
3	Secondary
4	Primary
5	Primary Dot

Schematic

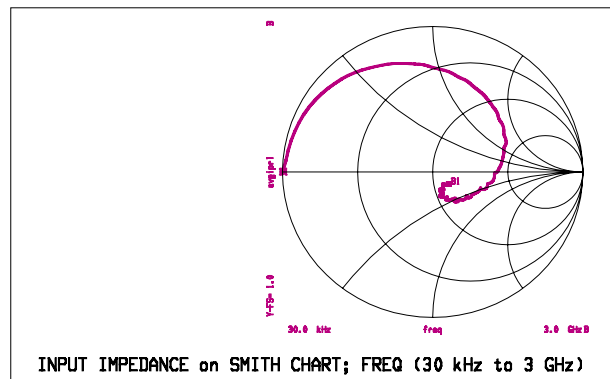


Typical Performance Curves

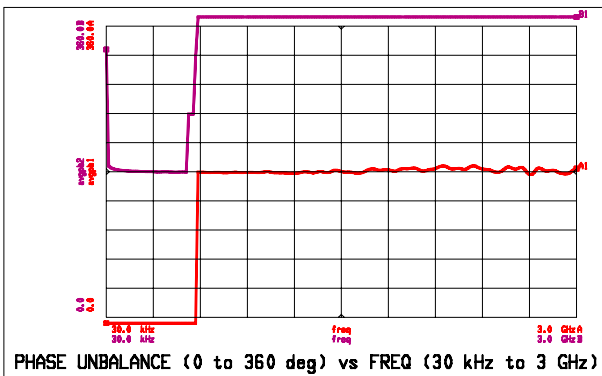
Insertion Loss



Input Impedance



Phase Unbalance



Amplitude Unbalance

