

DATA SHEET

SAA7335 DSP for CD and DVD-ROM systems

Preliminary specification
File under Integrated Circuits, IC01

1997 Aug 11

DSP for CD and DVD-ROM systems

SAA7335

FEATURES

- Compatibility with CD-I, CD-ROM, MPEG-video DVD-ROM and DVD-video applications
- Designed for very high playback speeds
- Typical CD-ROM operation up to $n = 12$, DVD-ROM to $n = 1.9$, maximum rates (tbf)
- Matched filtering, quad-pass error correction (C1-C2-C1-C2), overspeed audio playback function included (up to 3 kbytes buffer)
- Lock-to-disc playback, Constant Angular Velocity (CAV), pseudo-Constant Linear Velocity (CLV) and CLV motor control loops
- Interface to 32 kbytes SRAM for DVD error correction and de-interleave
- Sub-code/ header processing for DVD and CD formats
- Programmable HF equalizer
- In DVD mode it is still compatible with Philips block decoders
- Sub-CPU interface can be parallel or fast I²C-bus
- On-chip clock multiplier.



In DVD modes double-pass C1-C2 error correction is used which is capable of correcting up to 5 C1 frame errors and 16 C2 frame errors.

The SAA7335 contains all the functions required to decode an EFM or EFM+ HF signal directly from the laser pre-amplifier, including analog front-end, PLL data recovery, demodulation and error correction. The spindle motor interface provides both motor control signals from the demodulator and, in addition, contains a tachometer loop that accepts tachometer pulses from the motor unit.

The SAA7335 has two independent microcontroller interfaces. The first is a serial I²C-bus and the second is a standard 8-bit multiplexed parallel interface. Both of these interfaces provide access to a total of 32×8 -bit registers for control and status.

This data sheet contains an descriptive overview of the device together with electrical and timing characteristics. For a detailed description of the device refer to the user guide "SAU/UM96018".

Supply of this CD/DVD IC does not convey an implied license under any patent right to use this IC in any CD or DVD application.

GENERAL DESCRIPTION

This device is a high-end combined Compact Disc (CD) and Digital Versatile Disc (DVD) compatible decoding device. The device operates with an external 32 kbytes S-RAM memory for de-interleaving operations. The device provides quad-pass error correction for CD-ROM applications (C1-C2-C1-C2) and operates in lock-to-disk, CAV, pseudo CLV and CLV modes.

QUICK REFERENCE DATA

SYMBOL	PARAMETER	MIN.	TYP.	MAX.	UNIT
V _{DDD}	digital supply voltage	4.5	5.0	5.5	V
I _{DDD}	digital supply current	–	70	300	mA
V _{DDA}	analog supply voltage	4.5	5.0	5.5	V
I _{DDA}	analog supply current	–	70	300	mA
f _{xtal}	crystal input frequency	4	25	tbf	MHz
T _{amb}	operating ambient temperature	–20	–	+70	°C
T _{stg}	storage temperature	–55	–	+125	°C

DSP for CD and DVD-ROM systems

SAA7335

ORDERING INFORMATION

TYPE NUMBER	PACKAGE		
	NAME	DESCRIPTION	VERSION
SAA7335GP	LQFP100	plastic low profile quad flat package; 100 leads; body 14 × 14 × 1.4 mm	SOT407-1

BLOCK DIAGRAM

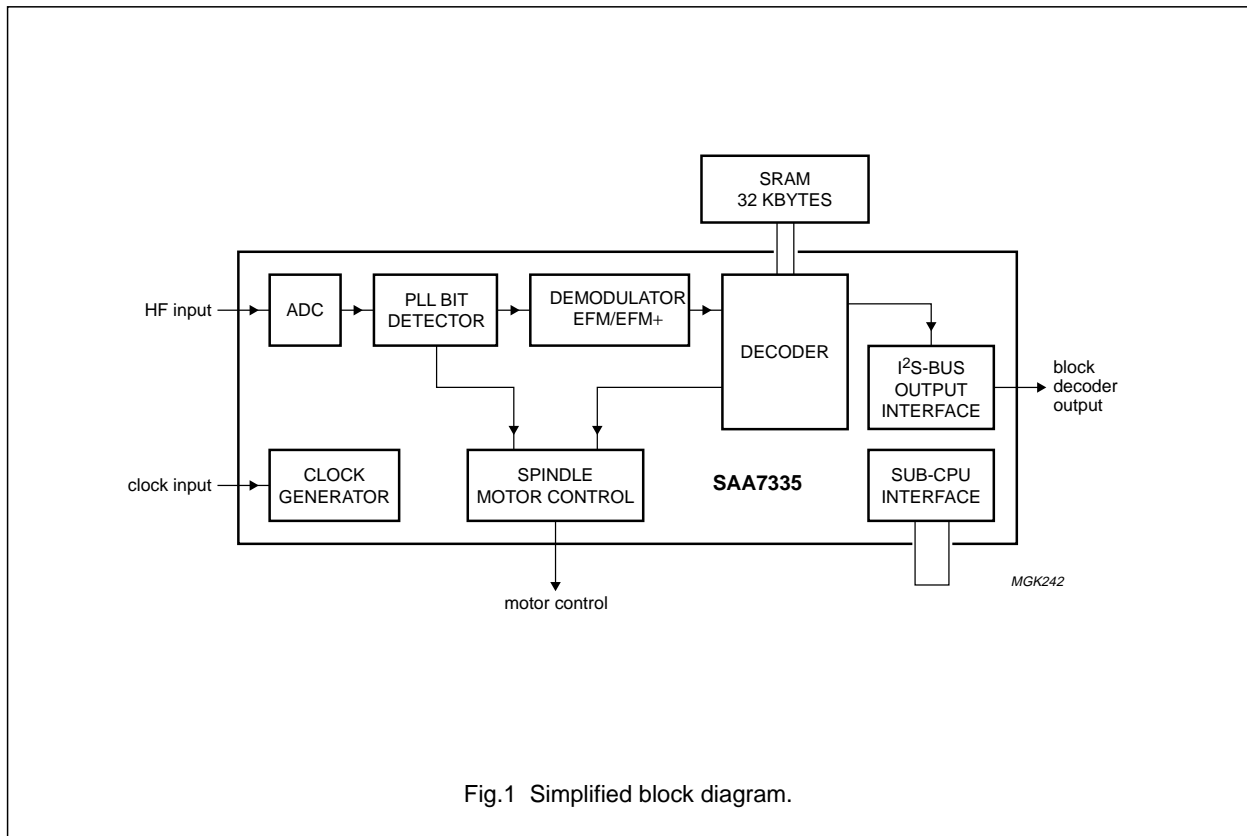


Fig.1 Simplified block diagram.

DSP for CD and DVD-ROM systems

SAA7335

PINNING

SYMBOL	PIN	TYPE	DESCRIPTION
V _{SSA1}	1	supply	analog ground 1
I _{ref}	2	I	analog current reference input for ADC
REFLo	3	I	analog low reference input for ADC
REFHi	4	I	analog high reference input for ADC
VREF	5	I	analog negative input
HFIN	6	I	analog positive input
V _{SSA2}	7	supply	analog ground 2
AGCOUT	8	O	analog test pin output
V _{DDA2}	9	supply	analog supply voltage 2
V _{DD1}	10	supply	digital supply voltage 1
V _{SS1}	11	supply	digital ground 1
OTD	12	I	off track detect input
MOTO1	13	O	3-state motor control output
n.c.	14	–	not connected, reserved
MOTO2/T3	15	I/O	motor control output/tachometer 3 input
n.c.	16	–	not connected, reserved
T1	17	I	tachometer 1 input
T2	18	I	tachometer 2 input
V _{DD2}	19	supply	digital supply voltage 2
V _{SS2}	20	supply	digital ground 2
TEST1	21	I	test input 1
TEST2	22	I	test input 2
POR	23	I	power-on reset input
MUXSWICH	24	I	use clock multiplier input
n.c.	25	–	not connected, reserved
CL1	26	O	divided clock output
BCAIN	27	I	BCA input
SDA	28	I/O	sub-CPU I ² C-bus serial data input/output
SCL	29	I	sub-CPU I ² C-bus serial clock input
INT	30	O	sub-CPU interrupt output (open-drain)
V _{DD3}	31	supply	digital supply voltage 3
V _{SS3}	32	supply	digital ground 3
da7	33	I/O	sub-CPU data bus bit 7 input/output (parallel)
da6	34	I/O	sub-CPU data bus bit 6 input/output (parallel)
da5	35	I/O	sub-CPU data bus bit 5 input/output (parallel)
n.c.	36	–	not connected, reserved
da4	37	I/O	sub-CPU data bus bit 4 input/output (parallel)
n.c.	38	–	not connected, reserved
da3	39	I/O	sub-CPU data bus bit 3 input/output (parallel)
da2	40	I/O	sub-CPU data bus bit 2 input/output (parallel)

DSP for CD and DVD-ROM systems

SAA7335

SYMBOL	PIN	TYPE	DESCRIPTION
da1	41	I/O	sub-CPU data bus bit 1 input/output (parallel)
n.c.	42	–	not connected, reserved
da0	43	I/O	sub-CPU data bus bit 0 input/output (parallel)
V _{DD4}	44	supply	digital supply voltage 4
V _{SS4}	45	supply	digital ground 4
$\overline{\text{WRi}}$	46	I	sub-CPU write enable input (active LOW)
$\overline{\text{RDi}}$	47	I	sub-CPU read enable input (active LOW)
ALE	48	I	sub-CPU address latch enable input
CSi	49	I	sub-CPU chip select input (active HIGH)
STOPCLOCK	50	O	stop clock output
n.c.	51	–	not connected, reserved
V4	52	O	serial subcode output (for CD)
EBUOUT	53	O	digital audio output
SYNC	54	O	I ² S-bus sector sync output
FLAG	55	O	I ² S-bus correction flag output
DATA	56	O	I ² S-bus serial data output
BCLK	57	I/O	I ² S-bus bit serial clock input/output
WCLK	58	I/O	I ² S-bus word clock input/output
V _{DD5}	59	supply	digital supply voltage 5
V _{SS5}	60	supply	digital ground 5
RAMRW	61	O	RAM read/write control output
n.c.	62	–	not connected, reserved
RAMDA7	63	I/O	RAM data bus bit 7 input/output
RAMDA6	64	I/O	RAM data bus bit 6 input/output
RAMDA5	65	I/O	RAM data bus bit 5 input/output
RAMDA4	66	I/O	RAM data bus bit 4 input/output
RAMDA3	67	I/O	RAM data bus bit 3 input/output
RAMDA2	68	I/O	RAM data bus bit 2 input/output
n.c.	69	–	not connected, reserved
RAMDA1	70	I/O	RAM data bus bit 1 input/output
RAMDA0	71	I/O	RAM data bus bit 0 input/output
V _{DD6}	72	supply	digital supply voltage 6
V _{SS6}	73	supply	digital ground 6
RAMAD0	74	O	RAM address bit 0 output
RAMAD1	75	O	RAM address bit 1 output
RAMAD2	76	O	RAM address bit 2 output
RAMAD3	77	O	RAM address bit 3 output
RAMAD4	78	O	RAM address bit 4 output
RAMAD5	79	O	RAM address bit 5 output
RAMAD6	80	O	RAM address bit 6 output
V _{DD7}	81	supply	digital supply voltage 7

DSP for CD and DVD-ROM systems

SAA7335

SYMBOL	PIN	TYPE	DESCRIPTION
V _{SSD7}	82	supply	digital ground 7
RAMAD7	83	O	RAM address bit 7 output
RAMAD8	84	O	RAM address bit 8 output
RAMAD9	85	O	RAM address bit 9 output
n.c.	86	–	not connected, reserved
RAMAD10	87	O	RAM address bit 10 output
RAMAD11	88	O	RAM address bit 11 output
RAMAD12	89	O	RAM address bit 12 output
RAMAD13	90	O	RAM address bit 13 output
RAMAD14	91	O	RAM address bit 14 output
V _{DDD8}	92	supply	digital supply voltage 8
V _{SSD8}	93	supply	digital ground 8
CRIN	94	I	analog crystal input
CROUT	95	O	analog crystal output
CFLG	96	O	correction statistics output
MEAS1	97	O	front-end telemetry output
V _{DDD9}	98	supply	digital supply voltage 9
V _{SSD9}	99	supply	digital ground 9
V _{BDA1}	100	supply	analog supply voltage 1

DSP for CD and DVD-ROM systems

SAA7335

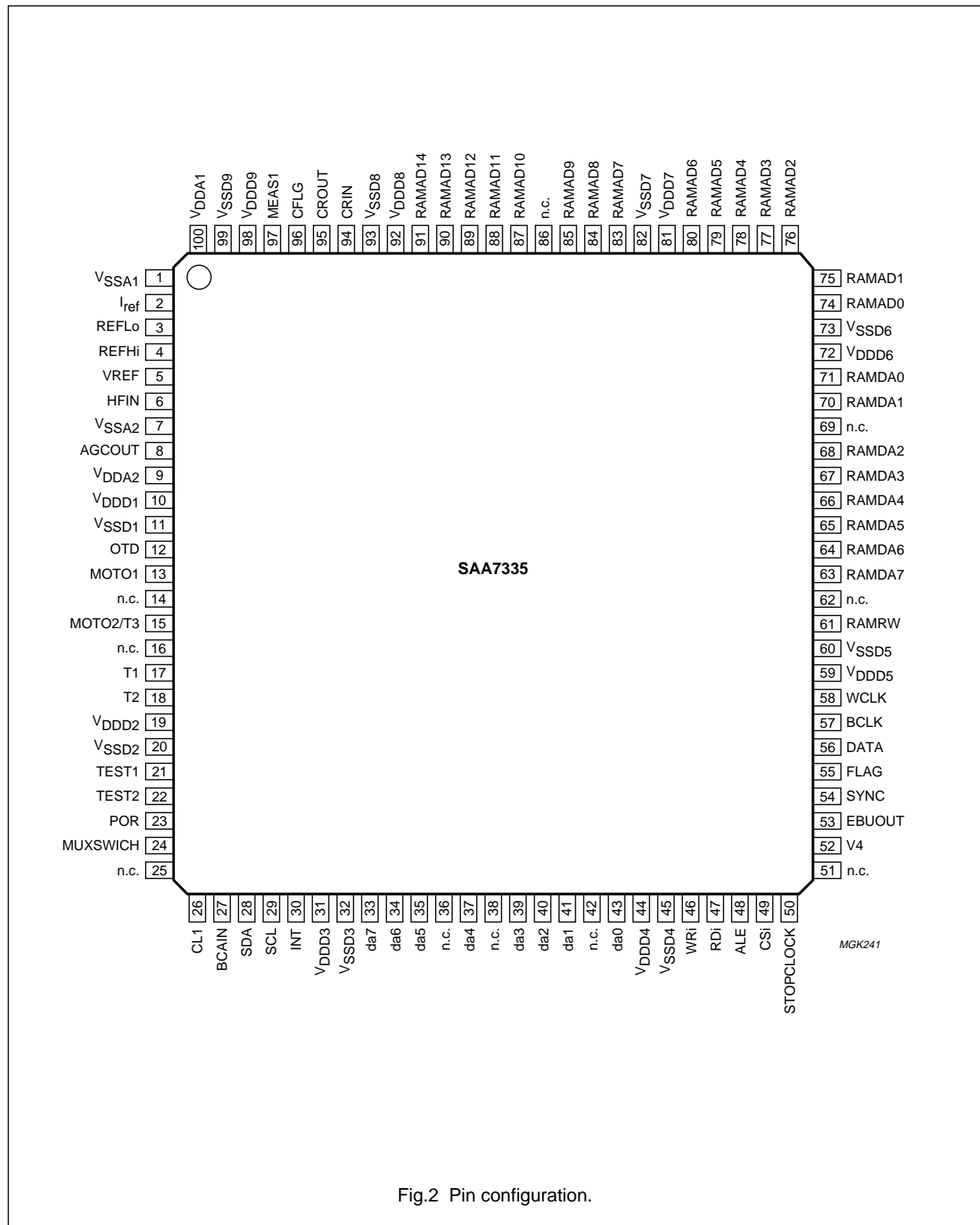


Fig.2 Pin configuration.

DSP for CD and DVD-ROM systems

SAA7335

FUNCTIONAL DESCRIPTION

Analog front-end

This block converts the HF input to the digital domain using an 8-bit ADC preceded by an AGC circuit to obtain the optimum performance from the convertor. This block is clocked by ADCCLK which is set by the external crystal frequency plus a flexible clock multiplier and divider block.

PLL and bit detector

This subsystem recovers the data from the channel stream. The block corrects asymmetry, performs noise filtering and equalisation and finally recovers the bit clock and data from the channel using a digital PLL.

The equalizer and the data slicer are programmable.

Digital logic

All the digital system logic is clocked from the master ADC clock (ADCCLK) described above.

Advanced bit detector

The advanced bit detector offers improved data recovery for multi-layer discs and contains two extra detection circuits to increase the margins in the bit recovery block:

1. Adaptive slicer: adds a second stage slicer with higher bandwidth
2. Run length 2 push-back: all T2 run lengths are pushed back to T3, thereby automatically determining the erroneous edge and shifting the transitions on that edge.

Demodulator

FRAME SYNC PROTECTION CD MODE

This circuit detects the frame synchronization signals. Two synchronization counters are used in the SAA7335:

1. The coincidence counter: this is used to detect the coincidence of successive syncs. It generates a sync coincidence signal if 2 syncs are 588 ± 1 EFM clocks apart.
2. The main counter: this is used to partition the EFM signal into 17-bit words. This counter is reset when:
 - a) A sync coincidence is generated
 - b) A sync is found within ± 6 EFM clocks of its expected position.

The sync coincidence signal is also used to generate the lock signal which will go active HIGH when 1 sync coincidence is found. It will reset to LOW when, during 61 consecutive frames, no sync coincidence is found.

FRAME SYNC PROTECTION DVD MODE

This circuit detects the frame synchronization signals. Two synchronization counters are used in the SAA7335:

1. The coincidence counter: this is used to detect the coincidence of successive syncs. It generates a sync coincidence signal if 2 syncs are 1488 ± 3 EFM+ clocks apart.
2. The main counter: this is used to partition the EFM+ signal into 16-bit words. This counter is reset when:
 - a) A sync coincidence is generated
 - b) A sync is found within ± 10 EFM+ clocks of its expected position.

The sync coincidence signal is also used to generate the lock signal which will go active HIGH when 1 sync coincidence is found. It will reset to LOW when, during 61 consecutive frames, no sync coincidence is found.

EFM/EFM+ demodulation

The 14-bit EFM (16-bit EFM+) data and subcode words are decoded into 8-bit symbols.

DSP for CD and DVD-ROM systems

SAA7335

Microcontroller interface

The SAA7335 has two microcontroller interfaces, one serial I²C-bus and one parallel (8051 microcontroller compatible).

The two communication modes may be operated at the same time, the modes are described below:

1. Parallel mode: protocol compatible with 8052 multiplexed bus:
 - a) da0 to da7 = address/data bus
 - b) ALE = Address Latch Enable, latches the address information on the bus
 - c) \overline{WRi} = active LOW write signal for write to SAA7335
 - d) \overline{RDi} = active LOW read signal for read from SAA7335
 - e) CSi = active HIGH Chip Select signal (this signal gates the \overline{RDi} and \overline{WRi} signals).
2. I²C-bus mode: I²C-bus protocol where SAA7335 behaves as slave device where:
 - a) SDA = I²C-bus data
 - b) SCL = I²C-bus clock
 - c) I²C-bus slave address (write mode) = 3EH
 - d) I²C-bus slave address (read mode) = 3FH
 - e) Maximum data transfer rate = 400 kbits/s.

MICROCONTROLLER INTERFACE (I²C-BUS MODE)

Bytes are transferred over the interface in single bytes of which there are two types; write data commands and read data commands.

The sequence for a write data command (1 data byte) is as follows:

- Send START condition
- Send address 3EH (write)
- Write command address byte
- Write data byte
- Send STOP condition.

The sequence for a read data command (that reads 1 data byte) is as follows:

- Send START condition
- Send address 3EH (write)
- Write status address byte
- Send STOP condition
- Send START condition
- Send address 3FH (read)
- Read data byte
- Send STOP condition.

READING AND WRITING DATA TO THE SAA7335

The SAA7335 has 32 × 8-bit configuration and status registers as shown in Table 1. Not all locations are currently defined and some remain reserved for future upgrades. These can be written to or read from via the microcontroller interface using either the serial or parallel control bus.

DSP for CD and DVD-ROM systems

SAA7335

REGISTER MAP

Table 1 SAA7335 microcontroller register map

ADDRESS		NAME	R/W	BIT								
DEC	HEX			7	6	5	4	3	2	1	0	
0	0	PLL_LOCK	W	Lock Oride	Pha_Oset			PLL_Force_L				
		PLL_Freq_R	R	PLL measured frequency (bits 9 to 2)								
1	1	PLL_SET	W	SliceBW	Integ_F0			PLLBW_F1		LP_BW_F3		
		PLL_ASSYM	R	PLL asymmetry value (8 bits)								
2	2	PLL_FREQ	W	PLL frequency (8 MSBs)								
		PLL_Jit	R	jitter value (bits 9 to 2)								
3	3	PLL_EQU	W	PLL frequency (2 LSBs)	equalizer tap α 1			equaliser tap α 2				
		PLL_Lock_In	R	reserved					Long_Symb	F_Lock	In_Lock	
4	4	PLL_F_MEAS	W	RL3_EN	reserved	EFM nominal setting (101110)						
		reserved	R	-	-	-	-	-	-	-	-	-
5	5	OUTPUT1	W	Fmat(3 to 1)			WCLK_Op	BCLK_Op	Fmat (0)	SyncSwap (1 and 0)		
		reserved	R	-	-	-	-	-	-	-	-	-
6	6	OUTPUT2	W	EBU_Valid	EBU_On	EBU control bits 28, 29		EBU control bits (1 to 4)				
		reserved	R	-	-	-	-	-	-	-	-	-
7	7	OUTPUT3	W	WCLK_H_Left	Descr_On	Interp_On	CD_ROM_Header_On	Flag_Pin	Kill Data On	Kill EBU_On	CD_ROM_Scrb_On	
		reserved	R	-	-	-	-	-	-	-	-	-
8	8	SEMA1	W	general purpose semaphore register								
			R									
9	9	SEMA2	W	general purpose semaphore register								
			R									
10	A	SEMA3	W	general purpose semaphore register								
			R									
11	B	INTEN	W	hardware pin interrupt enable bits (map to status bits)								
		Status	R	FI_S1	FI_S2	FI_S3	PLL lock	DVD rdy	Mot Ov	Tacho	reserved	
12	C	MOTOR1	W	frequency set point								
		SLICE1	R	slice compensation value								
13	D	MOTOR2	W	G(2 to 0)			Ki	Kf				
		EYE_Open	R	eye opening value								

DSP for CD and DVD-ROM systems

SAAT7335

ADDRESS		NAME	R/W	BIT							
DEC	HEX			7	6	5	4	3	2	1	0
14	E	MOTOR3	W	FIFO set point							
		MTR_F	R	-	-	-	-	-	-	-	-
15	F	MOTO4	W	PWM_PDM	OVF_SW	SW2	SW1	motor servo control (3 to 0)			
		reserved	R	-	-	-	-	-	-	-	-
16	10	MTR_INTG_L	W	motor integrator value (7 to 0)							
			R								
17	11	MTR_INTG_H	W	motor integrator value (15 to 8)							
			R								
18	12	CLOCKPRE	W	CL1Div	BCLKG_En	Div1 (2 to 0)		Mux 2	Div2 (2 to 0)		
		SUB_C_STAT	R	ready	busy	CRC_OK	err (2 to 0)		cor fail	reserved	
19	13	DECMODE	W	mode				reserved		read TOC	reserved
		SUB_C_DATA	R	subcode data (7 to 0)							
20	14	reserved	W	-	-	-	-	-	-	-	
		SUB_C_End	R	no meaning (register read used as a signal)							
21	15	ANASET	W	AGC_En	gain set	gain up	gain down	AGC_On	reserved		
		FIFOFILL_L	R	number of C1 frames in FIFO							
22	16	VITSET	W	slice ON	AdDet ON	FEndAutoS ON					
		BCA_STAT	R	Buff_Loaded	sync	Buff_ORun					
23	17	TACHO1	W	tachometer multiplier frequency KTacho (7 to 0)							
		BCA_DATA	R	BCA data (7 to 0)							
24	18	TACHO2	W	tachometer interrupt trip frequency tachometer trip (7 to 0)							
		reserved	R	-	-	-	-	-	-	-	-
25	19	TACHO3	W	servo control source		Tacho FRes	Moto2_T3	Fsam		TachoInt_LF	reserved
		reserved	R	-	-	-	-	-	-	-	-
26	1A	BCASET	W	BCA_Freq (7 to 0)							
		reserved	R	-	-	-	-	-	-	-	-
27 to 31	1B to 1F	reserved		-	-	-	-	-	-	-	

DSP for CD and DVD-ROM systems

SAA7335

READING STATUS INFORMATION FROM THE SAA7335

There are several internal status signals which can be made available on the INT line (see Table 2).

Table 2 Internal status signals; note 1

SIGNAL	DESCRIPTION
FI_S1	change in semaphore register 1 detected
FI_S2	change in semaphore register 2 detected
FI_S3	change in semaphore register 3 detected
PLLlock	channel data PLL lock (not latched) indicates in-lock condition
DVDrdy	DVD header or subcode block is available, reset when SUBREADEND register is read
MotOv	motor overflow, (not latched) indicates when a motor overflow is occurring
Tacho	motor speed is higher (or lower depending on TACHO3 bit 2) than motor set point (defined in TACHO2) this signal is not latched

Note

1. The status signal to be output is selected by interrupt control register.

Subcode data/DVD header processing

Q-CHANNEL PROCESSING

The 96-bit Q-channel word is accumulated in an internal buffer. Sixteen bits are used to perform a Cyclic Redundancy Check (CRC). Subcode is available via the V4 output and, in addition, the Q channel code can also be read via the SUBREADDATA register.

DVD HEADER

The DVD header processor accumulates a selection of bytes from the beginning of the DVD sector. Two header modes are defined, one for reading the normal sector headers and one for filtering the disk physical format information (from the control data block in the lead-in area) This is controlled by the READ_TOC bit in the DECMODE register.

OTHER SUBCODE CHANNELS

Data of the other subcode channels (Q-to-W) may be read via the V4 pin, this is only valid in CD modes.

The data on the V4 pin is clocked on the WCLK edges with a fixed delay and so may be clocked by external circuitry running off the WCLK edges, i.e. at twice the WCLK frequency. The subcode data is also available in the EBU output (DOBM) in a similar format.

Crystal oscillator

The crystal oscillator is a conventional 2 pin design. This oscillator is capable of operating with ceramic resonators

and with both fundamental and third overtone crystals. External components should be used to suppress the fundamental output of the third overtone crystals as shown in Figs 3 and 4. Typical oscillation frequencies required are 8.462, 16.9344 or 22.57 MHz depending on the internal clock settings used and whether or not the clock multiplier is enabled.

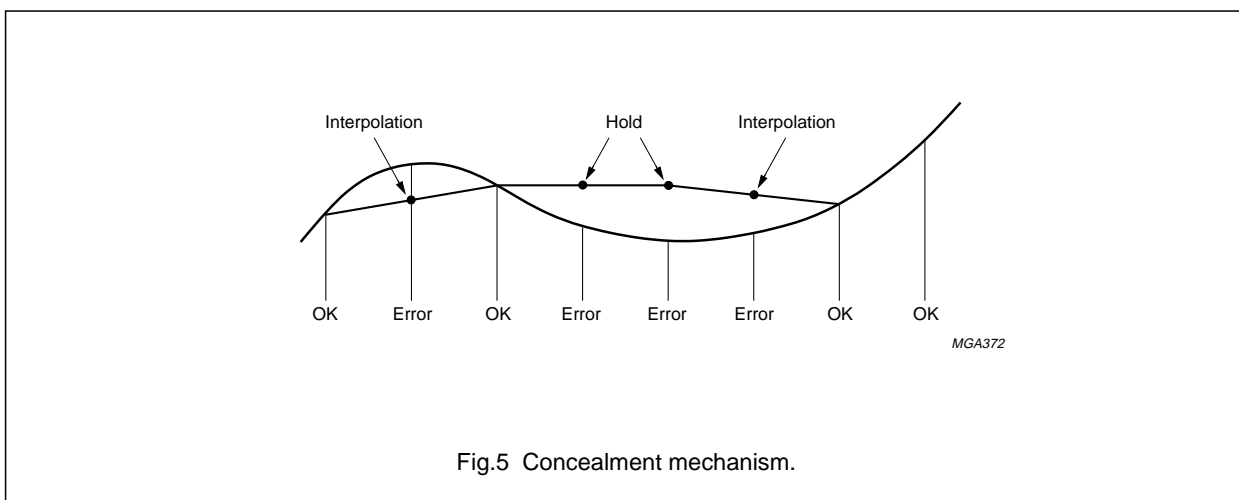
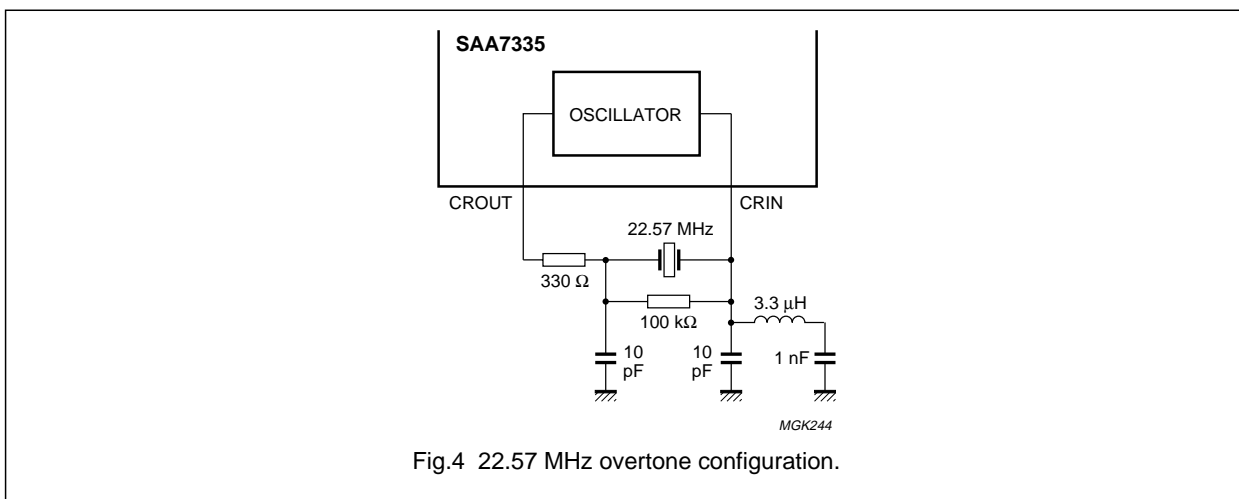
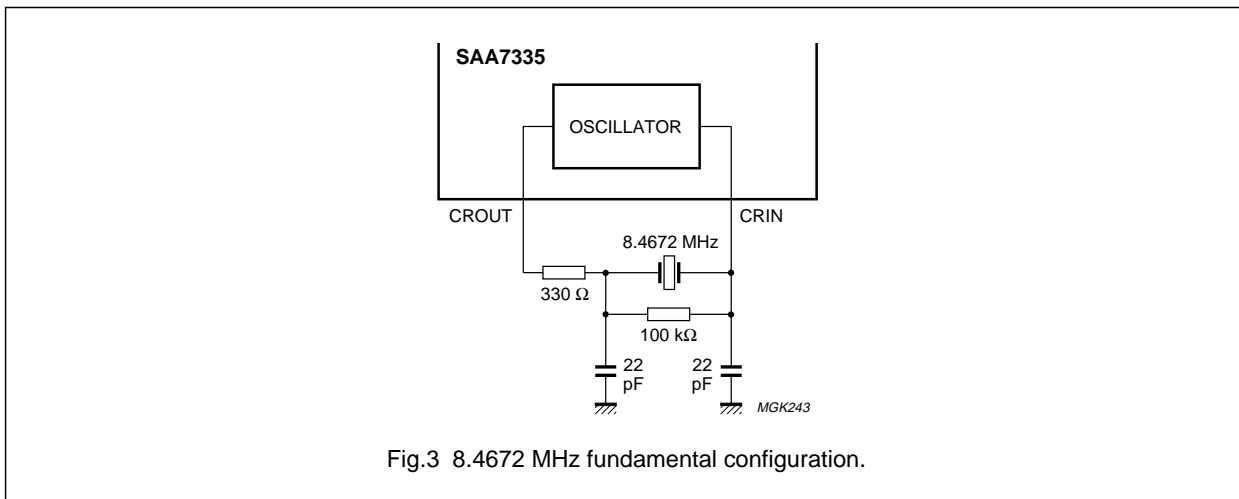
Error corrector

The error corrector can operate in a number of modes; CD single-pass, CD dual-pass and DVD mode. In the CD single-pass mode the error corrector performs 2 error corrections per frame (C1 and C2). In the CD dual-pass mode up to 4 symbol corrections per frame are possible (C1-C2 then C1-C2 again). For the DVD mode full depth PI and PO error correction is performed allowing 5 corrections per PI row and full depth ($2t + e$) ≤ 16 correction to be performed per PO column. The error corrector also contains a flag controller. Flags are assigned to symbols when the error corrector cannot ascertain if the symbols are definitely good. C1 generates output flags which are read (after de-interleaving) by C2, to help in the generation of C2 output flags. The C2 output flags are used by the interpolator for concealment of non-correctable errors. They are also output via the EBU signal (DOBM) and the MISC output via the I²S-bus for CD-ROM applications.

The flags output pin CFLG provides information on the state of all error correction and concealment flags.

DSP for CD and DVD-ROM systems

SAA7335



DSP for CD and DVD-ROM systems

SAA7335

Audio functions**CONCEALMENT**

A 1-sample linear interpolator becomes active if a single sample is flagged as erroneous but cannot be corrected. The erroneous sample is replaced by a level midway between the preceding and following samples. Left and right channels have independent interpolators.

If more than one consecutive non-correctable sample is found the last good sample is held. A 1-sample linear interpolation is then performed before the next good sample (see Fig.5).

DAC Interface

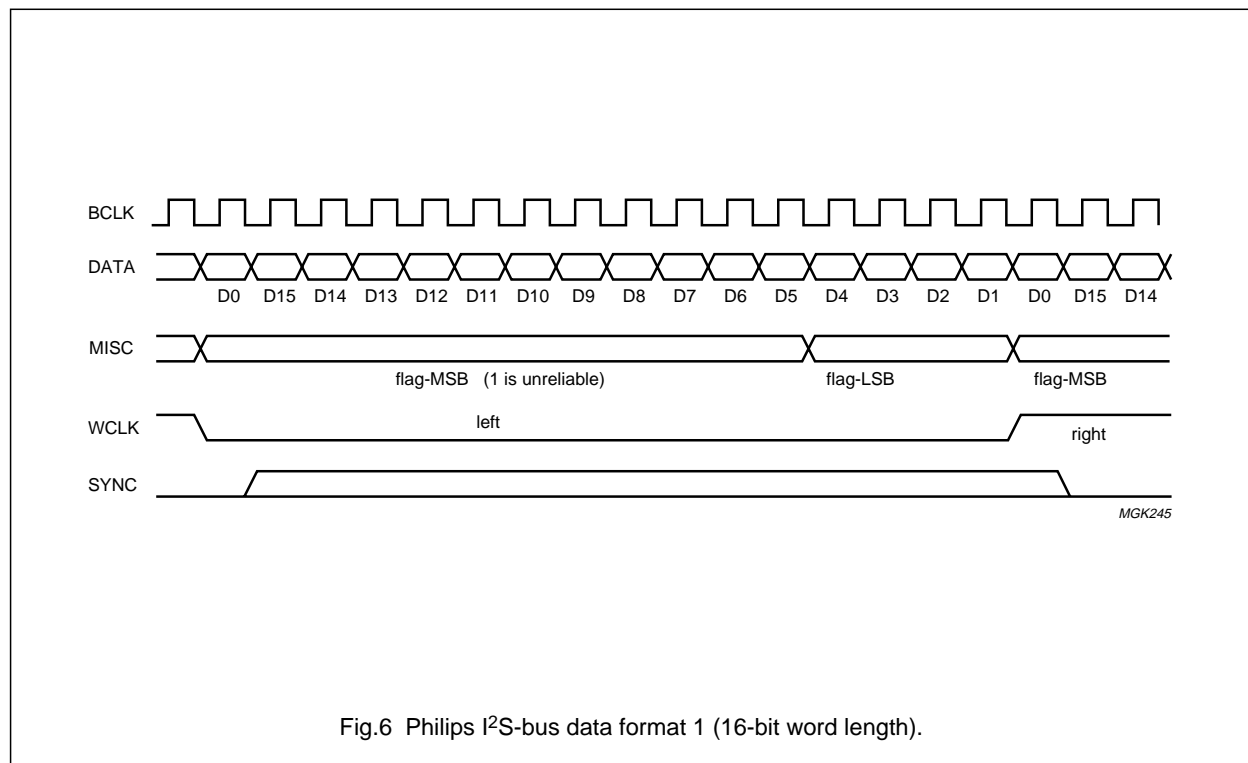
The SAA7335 is compatible with a wide range of ROM block decoders and Digital-to-Analog Converters DACs. The seven main formats that are supported are given in Table 3.

Table 3 DAC interface formats (notes 1, 2 and 3)

MODE	BITS/WORD	FORMAT
1	16	Philips I ² S-bus
2	16	EIAJ
3	24	Philips I ² S-bus
4	24	EIAJ
5	32	Philips I ² S-bus
6	32	EIAJ
7	variable	Philips I ² S-bus

Notes

1. EIAJ is the abbreviation for Electronic Industries Associated of Japan.
2. Number of BCLK periods per half WCLK period (i.e. bits per sample).
3. Clock gating must be DISABLED for format mode 7.

Fig.6 Philips I²S-bus data format 1 (16-bit word length).

DSP for CD and DVD-ROM systems

SAA7335

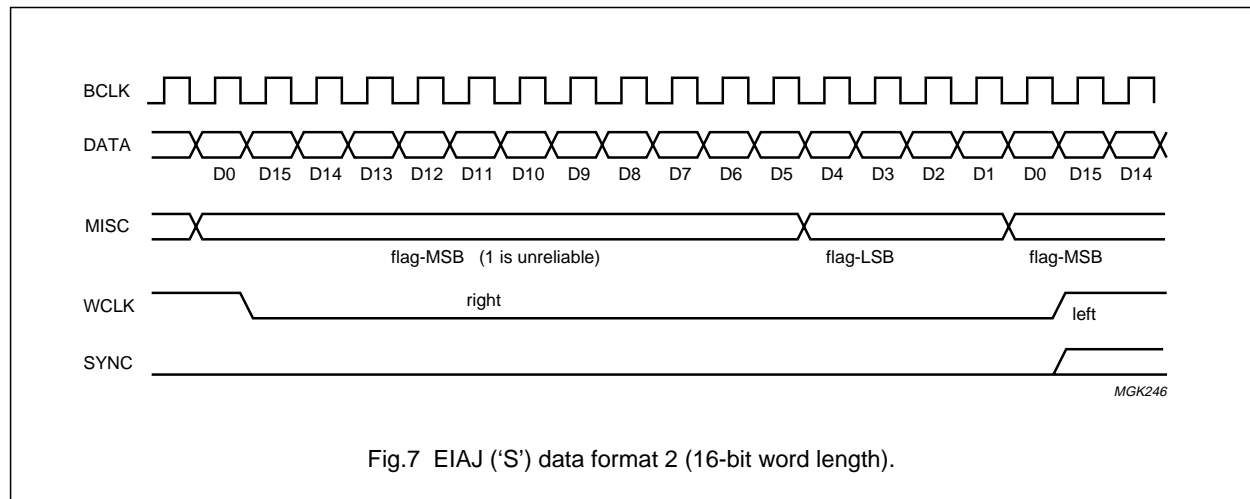


Fig.7 EIAJ ('S') data format 2 (16-bit word length).

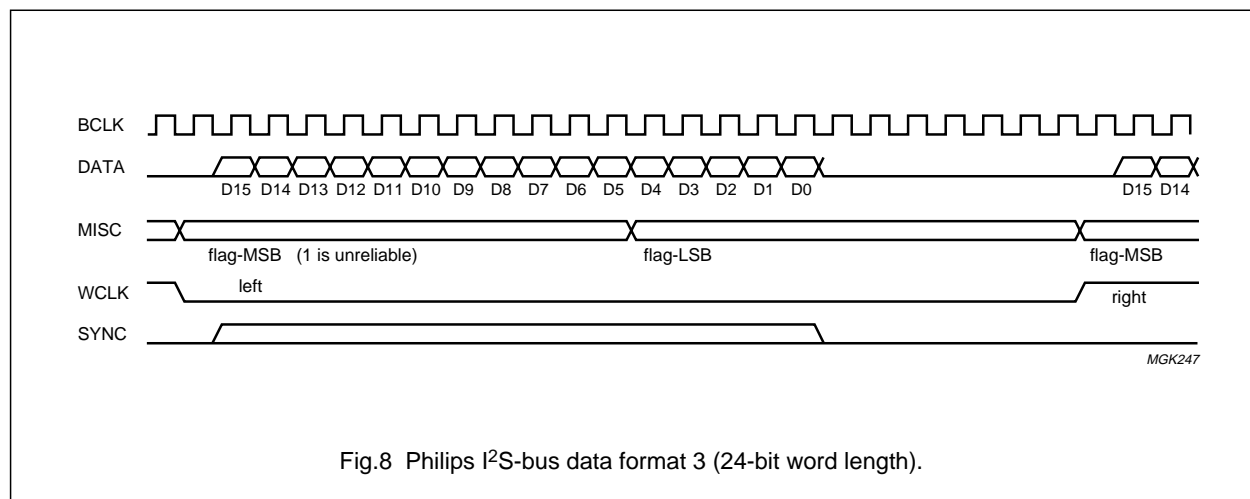


Fig.8 Philips I²S-bus data format 3 (24-bit word length).

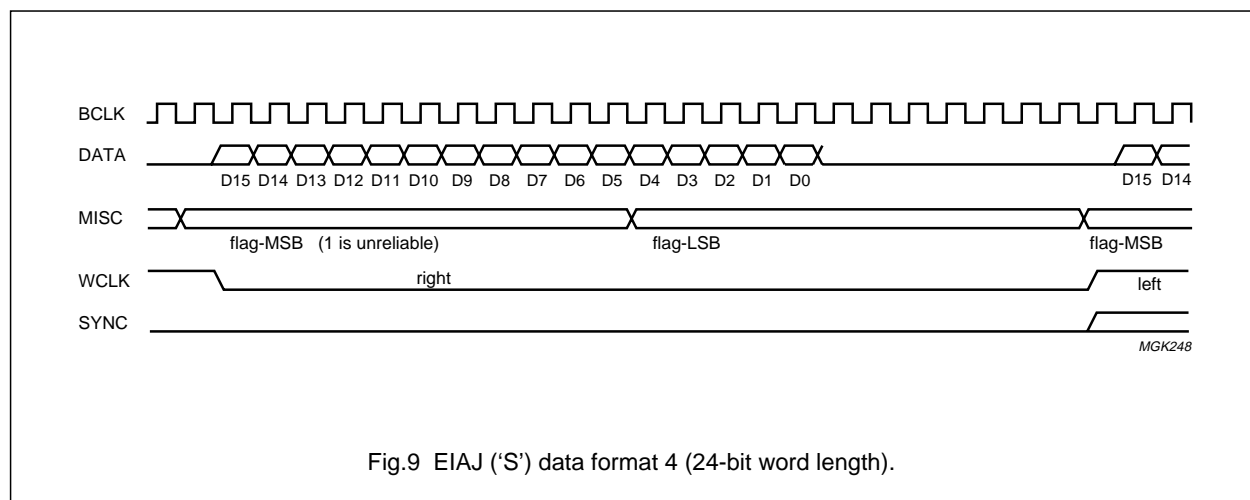


Fig.9 EIAJ ('S') data format 4 (24-bit word length).

DSP for CD and DVD-ROM systems

SAAT7335

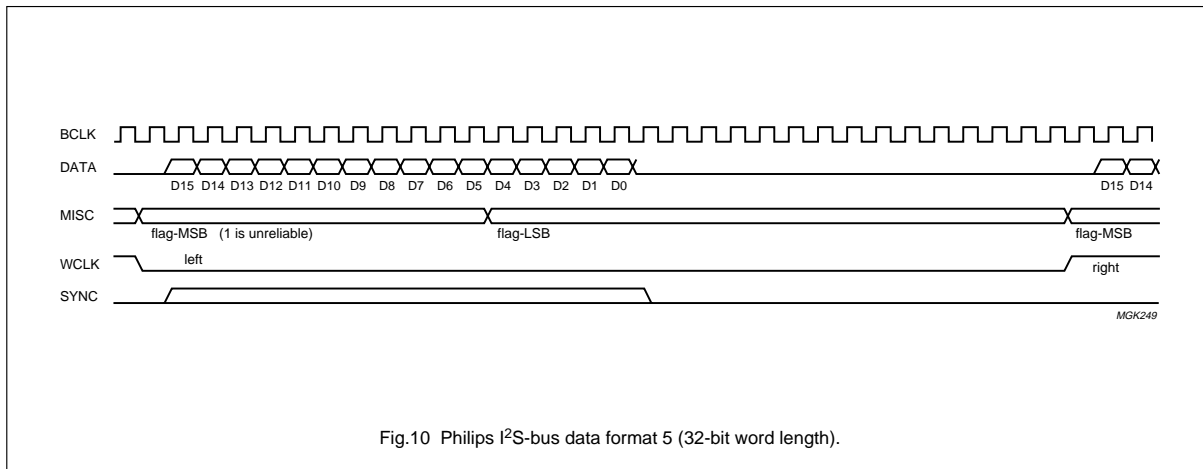


Fig.10 Philips I²S-bus data format 5 (32-bit word length).

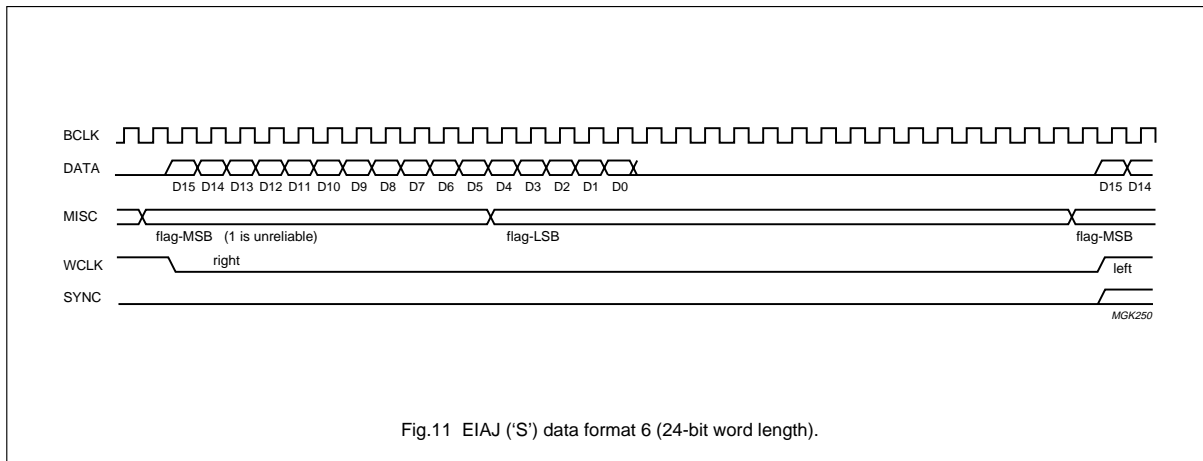
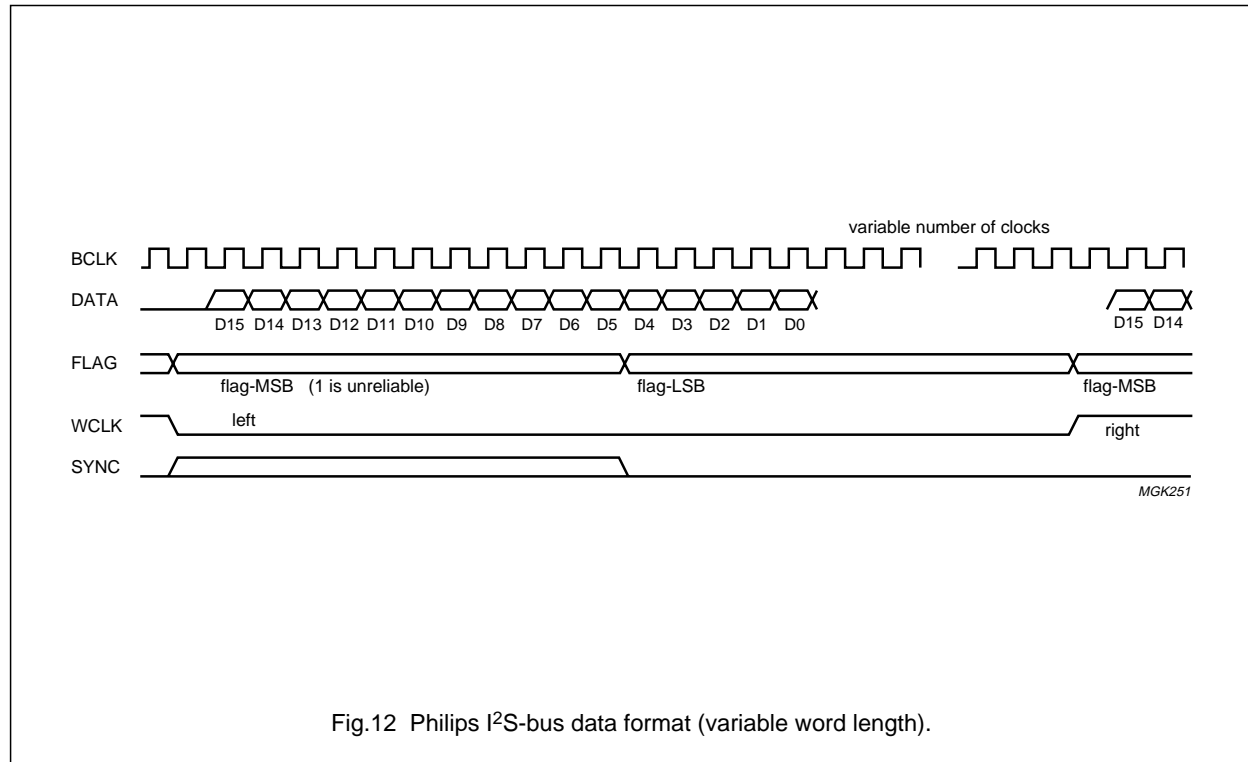


Fig.11 EIAJ ('S') data format 6 (24-bit word length).

DSP for CD and DVD-ROM systems

SAA7335

Fig.12 Philips I²S-bus data format (variable word length).**EBU interface**

The biphasic-mark digital output signal at pin DOBM is in accordance with the format defined by the "IEC 958" specification.

Three different modes can be selected via the EBU output control register (address 1010).

FORMAT

The digital audio output consists of 32-bit words (subframes) transmitted in biphasic-mark code (2 transitions for a logic 1 and one transition for a logic 0). Words are transmitted in blocks of 384 (see Table 4).

SYNC

The sync word is formed by violation of the biphasic rule and therefore does not contain any data. Its length is equivalent to 4 data bits. The three different sync patterns indicate the following situations:

- Sync B: start of a block (384 words), word contains left sample
- Sync M: word contains left sample (no block start)
- Sync W: word contains right sample.

AUDIO SAMPLE

Left and right samples are transmitted alternately.

VALIDITY FLAG

Audio samples are flagged (bit 28 = logic 1) if an error has been detected but was non-correctable. This flag remains the same even if data is taken after concealment.

USER DATA

Subcode bits Q-to-W from the subcode section are transmitted via the user data bit. This data is asynchronous with the block rate.

CHANNEL STATUS

The channel status bit is the same for left and right words. Therefore a block of 384 words contains 192 channel status bits. The category code is always CD. The bit assignment is given in Table 5.

DSP for CD and DVD-ROM systems

SAA7335

Table 4 EBU word format

WORD	BITS	FUNCTION
Sync	0 to 3	–
Auxiliary	4 to 7	not used; normally zero
Error flags	4	CFLG error and interpolation flags when bit 3 of EBU control register is set to logic 1
Audio sample	8 to 27	first 4 bits not used (always zero)
Validity flag	28	valid = logic 0
User data	29	used for subcode data (Q-to-W)
Channel status	30	control bits and category code
Parity bit	31	even parity for bits 4 to 30

Table 5 EBU channel status

WORD	BITS	FUNCTION
Consumer/professional	0	always zero
Control	1 to 4	copied from bits 3 to 0 of register OUTPUT2, normally should be set to a copy of CRC checked Q-channel control bits 0 to 3; bit 2 is logic 1 when copy permitted; bit 3 is logic 1 when recording has pre-emphasis
Reserved	5 to 7	always zero
Category code	8 to 15	CD; bit 8 = logic 1, all other bits = logic 0
Reserved	16 to 27	always zero
Clock accuracy	28 to 29	set by OUTPUT2 control register bits 5 and 4; 00 = level II, 01 = level III
Remaining	30 to 191	always zero

Spindle motor control

The spindle motor speed is controlled by a fully integrated digital servo. Address information from the internal ± 8 frame FIFO and disc speed information are used to calculate the motor control output signals.

Several output modes are supported:

1. Pulse density, 1-line,
2. Pulse density, 2-line (true complement output) (cannot be used with tachometer control)
3. PWM output, 2-line.

The modes are selected via the motor output configuration register.

PULSE DENSITY MODE

In the pulse density mode the motor output (pin MOTO1) is the pulse density modulated motor output signal. A 50%

duty cycle corresponds with the motor not actuated, higher duty cycles mean acceleration, lower mean braking.

In this mode, the MOTO2 signal is the inverse of the MOTO1 signal. Both signals change state only on the edges of a internal clock signal.

Possible application diagrams are shown in Fig.13.

PWM MODE, 2-LINE

In the PWM mode the motor acceleration signal is put in pulse-width modulation form on the MOTO1 output and the motor braking signal is pulse-width modulated on the MOTO2 output.

Figure 14 illustrates the PWM mode timing and Fig.15 illustrates a typical PWM mode application diagram.

DSP for CD and DVD-ROM systems

SAA7335

OPERATIONAL MODES

The motor servo has a number of operational modes controlled by the motor mode register MOTOR4.

POWER LIMIT

To start and stop the spindle motor, a fixed positive or negative voltage is applied to the motor. This voltage can be programmed as a percentage of the maximum possible voltage via the motor output configuration register (MOTOR4) to limit current drain during start and stop. The following power limits are possible:

- 100% of maximum (no power limit)
- 75% of maximum
- 50% of maximum
- 37% of maximum.

LOOP CHARACTERISTICS

The gain and crossover frequencies of the motor control loop can be programmed via the motor gain and bandwidth register MOTOR2.

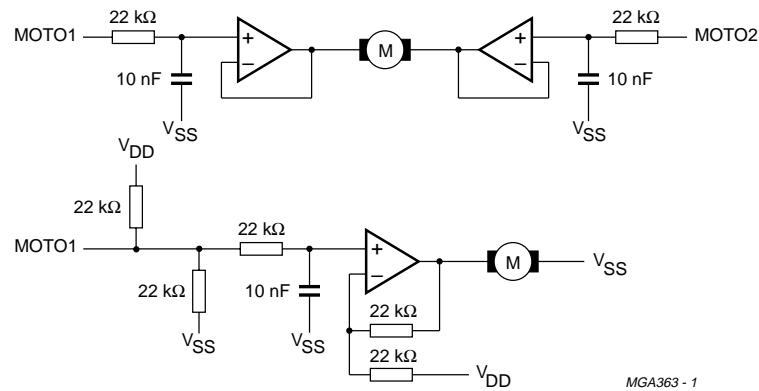


Fig.13 Motor pulse density application diagrams.

DSP for CD and DVD-ROM systems

SAA7335

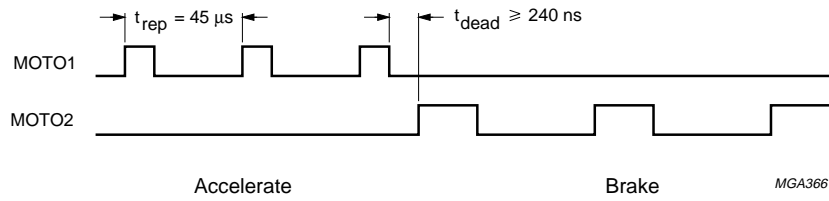


Fig.14 Motor 2-line PWM mode timing.

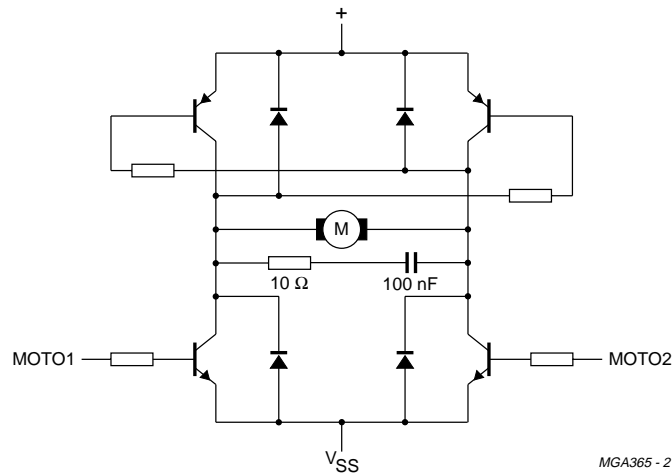


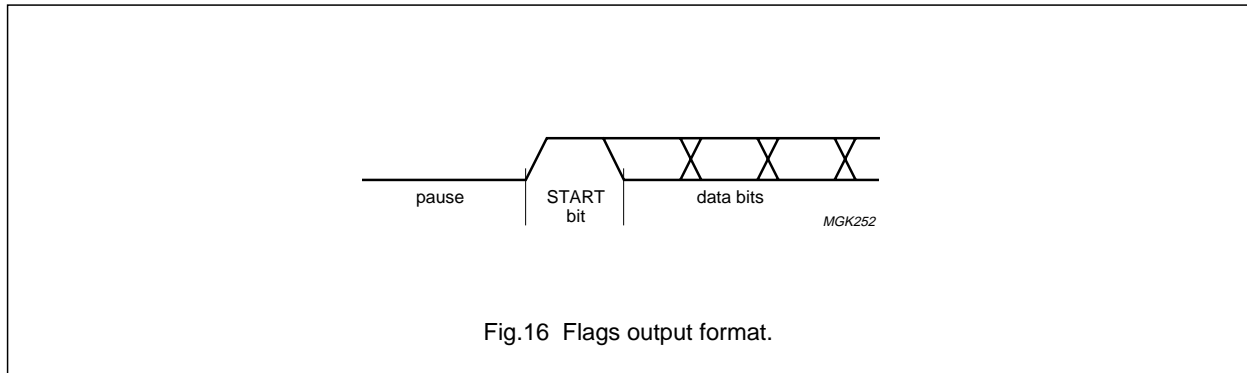
Fig.15 Motor 2-line PWM mode application diagram.

DSP for CD and DVD-ROM systems

SAA7335

Flags output (CFLG) (open-drain output)

A 1-bit flag signal is available at the CFLG pin, this contains 11 bits running off the ADCCLK, each bit period is 7 ADCCLK periods. This signal shows the status of the error corrector and interpolator and is updated every frame.

**Table 6** Definition of flag bits

BIT NUMBER	VALUE	DESCRIPTION
0	1	START bit
1 to 3	000	C1 first or C1 last; note 1
	001	C2 first, CD mode reserved, DVD mode; note 1
	010	reserved; note 1
	011	C2 last; note 1
	100	corrector not active; note 1
	all others reserved	
4	core fail	failure flag set because correction impossible; note 2
5		flag fail; note 3
9, 6 to 8	root count (3 to 0)	this indicates the number of errors corrected; note 4
10	0	STOP bit

Notes

1. For DVD mode read PI for C1 and PO for C2.
2. This flag refers to the previous correction frame.
3. This flag refers to the previous correction frame (is not valid i.e. always logic 0 in DVD mode).
4. Bit order of root count is 9, then 6 to 8 for root count (3 to 0).

ABSOLUTE TIME SYNC

The sync signal is the absolute time sync signal. In the CD mode it is the FIFO-passed subcode sync and relates the position of the subcode sync to the audio data (DAC output). In the DVD mode it indicates the start of a new sector header.

The flag may be used for special purposes such as synchronization of different players.

DSP for CD and DVD-ROM systems

SAA7335

LIMITING VALUES

In accordance with the Absolute Maximum Rating System (IEC 134).

SYMBOL	PARAMETER	CONDITIONS	MIN.	MAX.	UNIT
V _{DDD}	digital supply voltage		-0.3	+6.5	V
V _{DDA}	analog supply voltage		-0.3	+6.5	V
V _{i(max)}	maximum input voltage (any input)	note 1	-0.3	V _{DD} + 0.5	V
V _{o(max)}	maximum output voltage (any output)	note 1	-	V _{DD} + 0.5	V
I _{o(max)}	maximum output current (each output)		-	±10	mA
T _{amb}	operating ambient temperature		-20	+70	°C
T _{stg}	storage temperature		-55	+125	°C
V _{ESD}	electrostatic handling				
	human body model	note 2	-2000	+2000	V
	machine model	note 3	-200	+200	V

Notes

1. This maximum value has an absolute maximum of 6.5 V independent of the supply voltage.
2. The human body model ESD simulation is equivalent to discharging a 100 pF capacitor via a 1.5 kΩ resistor, which produces a single discharge transient. Reference "*Philips Semiconductors Test Method UZW-BO/FQ-A302 (similar to MIL-STD 883C method 3015.7)*".
3. The machine model ESD simulation is equivalent to discharging a 200 pF capacitor via a resistor and series inductor with effective dynamic values of 25 Ω and 2.5 μH, which produces a damped oscillating discharge. Reference "*Philips Semiconductors Test Method UZW-BO/FQ-B302 (similar to EIAJ IC-121 Test Method 20 condition C)*".

QUALITY

This device will meet the requirements of the "*Philips Semiconductors General Quality Specification UZW-BO/FQ-0601*" in accordance with "*Quality Reference Handbook (order number 9397 750 00192)*". This details the acceptance criteria for all Q & R tests applied to the product.

DSP for CD and DVD-ROM systems

SAA7335

DC CHARACTERISTICS
 $V_{DDD} = V_{DDA} = 5$ to 5.5 V; $V_{SSD} = V_{SSA} = 0$ V; $T_{amb} = -20$ to $+70$ °C; unless otherwise specified.

SYMBOL	PARAMETER	CONDITIONS	MIN.	TYP.	MAX.	UNIT
Supplies						
V_{DDD}	digital supply voltage		4.5	–	5.5	V
V_{DDA}	analog supply voltage		4.5	–	5.5	V
$I_{DD(tot)}$	total supply current	at 25 MHz clock	–	60	–	mA
Inputs						
DIGITAL INPUTS (TTL LEVEL); note 1						
V_{IL}	LOW-level input voltage		–	–	0.8	V
V_{IH}	HIGH-level input voltage		2.0	–	–	V
V_{OL}	LOW-level output voltage		0.8	–	–	V
V_{OH}	HIGH-level output voltage		–	–	2.4	V
ANALOG INPUTS						
$V_{I(max)(p-p)}$	maximum input voltage (peak-to-peak value)		–	–	2	V
$V_{I(nom)(p-p)}$	nominal input voltage (peak-to-peak value)		–	1	–	V
DR	dynamic range		41	–	–	dB
B	–3 dB bandwidth	0 to 12 dB gain	–	–	–	MHz
		12 to 20 dB gain	–	–	–	MHz
$I_{I(AGC)}$	AGC input current		–	1	–	mA
$I_{I(ADC)}$	ADC input current		–	24	–	mA
$I_{I(buf)}$	output buffer input current		–	3	–	mA
$I_{I(tot)}$	total input current		–	–	28	mA

Note

1. These inputs are analog, V_{IL} and V_{IH} values are quoted as a guide for digital RGB users.

AC CHARACTERISTICS
 $V_{DDD} = V_{DDA} = 4.5$ to 5.5 V; $V_{SSD} = V_{SSA} = 0$ V; $T_{amb} = -20$ to $+70$ °C; unless otherwise specified.

SYMBOL	PARAMETER	CONDITIONS	MIN.	TYP.	MAX.	UNIT
Supplies						
V_{DDD}	digital supply voltage		4.5	5.0	5.5	V
I_{DDD}	digital supply current	$V_{DDD} = 5$ V	–	60	165	mA
V_{DDA}	analog supply voltage		4.5	5.0	5.5	V
I_{DDA}	analog supply current	$V_{DDA} = 5$ V	–	60	165	mA

DSP for CD and DVD-ROM systems

SAA7335

SYMBOL	PARAMETER	CONDITIONS	MIN.	TYP.	MAX.	UNIT
Analog front-end ($V_{DDA} = 4.5$ to 5.5 V); HFIN						
f_{chan}	channel frequency		–	–	50	MHz
Digital inputs						
V_{IL}	LOW-level input voltage		–	–	0.8	V
V_{IH}	HIGH-level input voltage		2.0	–	–	V
I_{LI}	input leakage current	$V_i = 0$ to V_{DDD}	–10	–	+10	μA
C_i	input capacitance		–	–	10	pF
Open-drain output; pin INT						
V_{OL}	LOW-level output voltage	$I_{OL} = 1$ mA	0	–	0.4	V
I_{OL}	LOW-level output current		–	–	0	mA
C_L	load capacitance		–	–	50	pF
$t_{o(f)}$	output fall time	$C_L = 20$ pF; note 1	–	–	15	ns
3-state outputs						
V_{OL}	LOW-level output voltage	$I_{OL} = 0$ mA	0	–	0.4	V
V_{OH}	HIGH-level output voltage	$I_{OH} = -8$ mA	2.4	–	–	V
C_L	load capacitance		–	–	50	pF
$t_{o(r)}$	output rise time	$C_L = 20$ pF; note 1	–	–	15	ns
$t_{o(f)}$	output fall time	$C_L = 20$ pF; note 1	–	–	15	ns
$I_{L(Z)}$	3-state leakage current	$V_i = 0$ to V_{DDD}	–10	–	+10	μA
3-state outputs; pins MOTO1, MOTO2 and DOBM						
V_{OL}	LOW-level output voltage	$V_{DDD} = 4.5$ to 5.5 V; $I_{OL} = 10$ mA	0	–	0.8	V
V_{OH}	HIGH-level output voltage	$V_{DDD} = 4.5$ to 5.5 V; $I_{OH} = -10$ mA	–1	–	+2.4	V
C_L	load capacitance		–	–	50	pF
$t_{o(r)}$	output rise time	$C_L = 20$ pF; note 1	–	–	10	ns
$t_{o(f)}$	output fall time	$C_L = 20$ pF; note 1	–	–	10	ns
$I_{L(Z)}$	3-state leakage current	$V_i = 0$ to V_{DDD}	–10	–	+10	μA
Digital input/outputs ($V_{DDD} = 4.5$ to 5.5 V)						
INPUT/OUTPUT: SDA (INPUT/OPEN-DRAIN I ² C-BUS OUTPUT)						
V_{IL}	LOW-level input voltage		–	–	1.5	V
V_{IH}	HIGH-level input voltage		3.0	–	–	V
V_{OL}	LOW-level output voltage	$I_{OL} = 2$ mA; $I_{\text{sink}} = 3$ mA	–	–	0.4	V
I_{OL}	LOW-level output current		–	–	–	mA
C_{SDA}	serial data line capacitance		–	–	10	pF
C_{SCL}	serial clock line capacitance		–	–	10	pF
N_{marL}	LOW-level noise margin		–	$0.1V_{DDD}$	–	
N_{marH}	HIGH-level noise margin		–	$0.2V_{DDD}$	–	

DSP for CD and DVD-ROM systems

SAA7335

SYMBOL	PARAMETER	CONDITIONS	MIN.	TYP.	MAX.	UNIT
R_s	series resistance on the SDA and SCL lines		–	300	–	Ω
$C_{bus(max)}$	maximum bus capacitance	per wire	–	400	–	pF
INPUT: SCL (CMOS INPUT)						
V_{IL}	LOW-level input voltage		–0.3	–	$0.3V_{DDDD}$	V
V_{IH}	HIGH-level input voltage		$0.7V_{DDDD}$	–	$V_{DDDD} + 0.3$	V
I_{LI}	input leakage current	$V_i = 0 - V_{DDDD}$	–10	–	+10	μA
C_i	input capacitance		–	–	10	pF
Crystal oscillator input CRIN (external clock)						
g_m	mutual conductance at start-up		–	4	–	mS
R_o	output resistance at start-up		–	11	–	k Ω
C_i	input capacitance		–	–	10	pF
I_{LI}	input leakage current		–10	–	+10	μA
Crystal oscillator output CROUT (see Figs 3 and 4)						
f_{xtal}	crystal frequency		4	25	–	MHz
C_{fb}	feedback capacitance		–	–	5	pF
C_o	output capacitance		–	–	10	pF
I²S-bus timing						
CLOCK OUTPUT SCLK (see Fig.17)						
T_{cy}	output clock period	set by CLKPRE1 register	–	472.4	–	ns
t_{SCLKH}	clock HIGH time		–	–	–	ns
			–	–	–	ns
			–	–	–	ns
t_{SCLKL}	clock LOW time		–	–	–	ns
			–	–	–	ns
			–	–	–	ns
$t_{su(SCLK)}$	set-up time		–	tbf	–	ns
			–	tbf	–	ns
			–	tbf	–	ns
$t_h(SCLK)$	hold time		–	tbf	–	ns
			–	tbf	–	ns
			–	tbf	–	ns

DSP for CD and DVD-ROM systems

SAA7335

SYMBOL	PARAMETER	CONDITIONS	MIN.	TYP.	MAX.	UNIT
External RAM timing (see Figs 18 and 20)						
t_{AV-DV}	address valid to data valid		–	tbf	–	ns
t_{OE-DV}	output enable to data valid		–	tbf	–	ns
$t_{W(W)}$	write pulse width		–	tbf	–	ns
$t_{su(A)}$	address set-up before start of write		–	tbf	–	ns
$t_{h(A)}$	address hold after end of write		–	tbf	–	ns
$t_{su(D-EW)}$	data set-up to end of write		–	tbf	–	ns
$t_{h(D-EW)}$	data hold after end of write		–	tbf	–	ns
t_{OE-DA}	output enable to data active		–	tbf	–	ns
t_{OD-DI}	output disable to data inactive		–	tbf	–	ns
Microcontroller interface timing (see Figs 18 and 20)						
INPUT ALE						
$t_{su(A-ALE)}$	address set-up before ALE LOW		25	–	–	ns
$t_{h(A-ALE)}$	address hold after ALE LOW		25	–	–	ns
t_{ALEL}	input LOW time		$1 \times \text{ADC CLK} + 15$	–	–	ns
t_{ALEH}	input HIGH time		$1 \times \text{ADC CLK} + 15$	–	–	ns
$t_{d(ALEL-WRL)}$	delay time ALE LOW to WR LOW		–	–	–	ns
t_r	rise time		–	–	–	ns
t_f	fall time		–	–	240	ns
INPUTS RDI AND WRi						
$t_{iL(R/W)}$	input LOW time		$1 \times \text{ADC CLK} + 15$	–	–	ns
$t_{iH(R/W)}$	input HIGH time		$1 \times \text{ADC CLK} + 15$	–	–	ns
t_r	rise time		–	–	–	ns
t_f	fall time		–	–	240	ns
READ MODE						
$t_{d(RLDV)}$	delay time RD LOW to DA0 to DA7 valid		$2 \times \text{ADC CLK} + 35$	–	–	ns
$t_{d(RHDX)}$	delay time RD HIGH to DA0 to DA7 high-impedance		15	–	–	ns
WRITE MODE						
$t_{su(QVWX)}$	set-up time WR LOW to DA0 to DA7		–	–	–	ns
$t_{h(WHQX)}$	hold time WR HIGH to DA0 to DA7 3-state		$2 \times \text{ADC CLK} + 25$	–	–	ns

Notes

1. Timing reference voltage levels are 0.8 V and $V_{DD} - 0.8$ V.
2. Negative set-up time means that data may change after clock transition.

DSP for CD and DVD-ROM systems

SAA7335

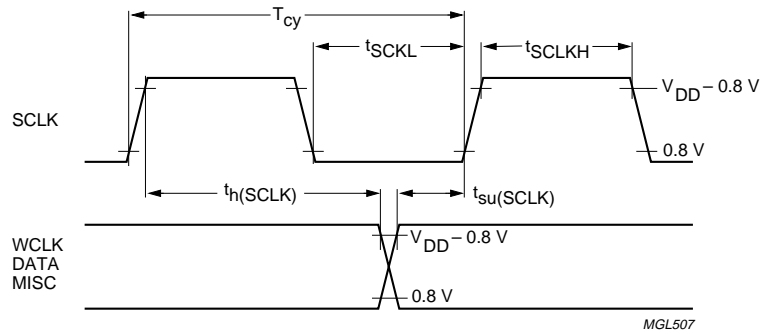


Fig.17 I²S-bus timing.

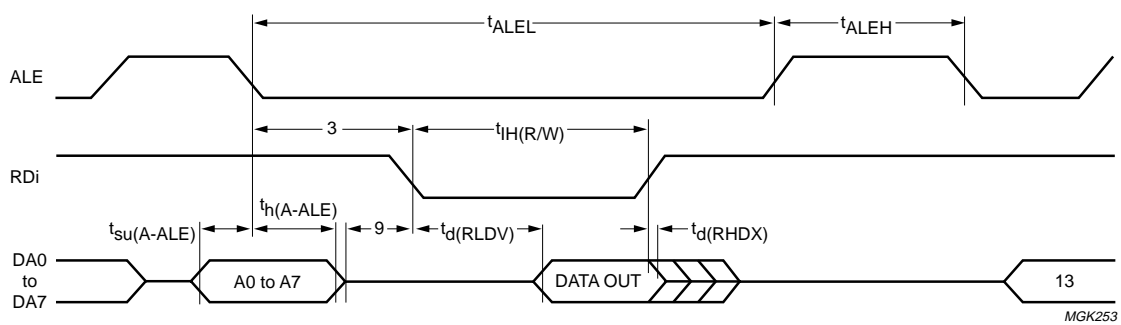


Fig.18 Microcontroller interface timing; parallel read mode.

DSP for CD and DVD-ROM systems

SAA7335

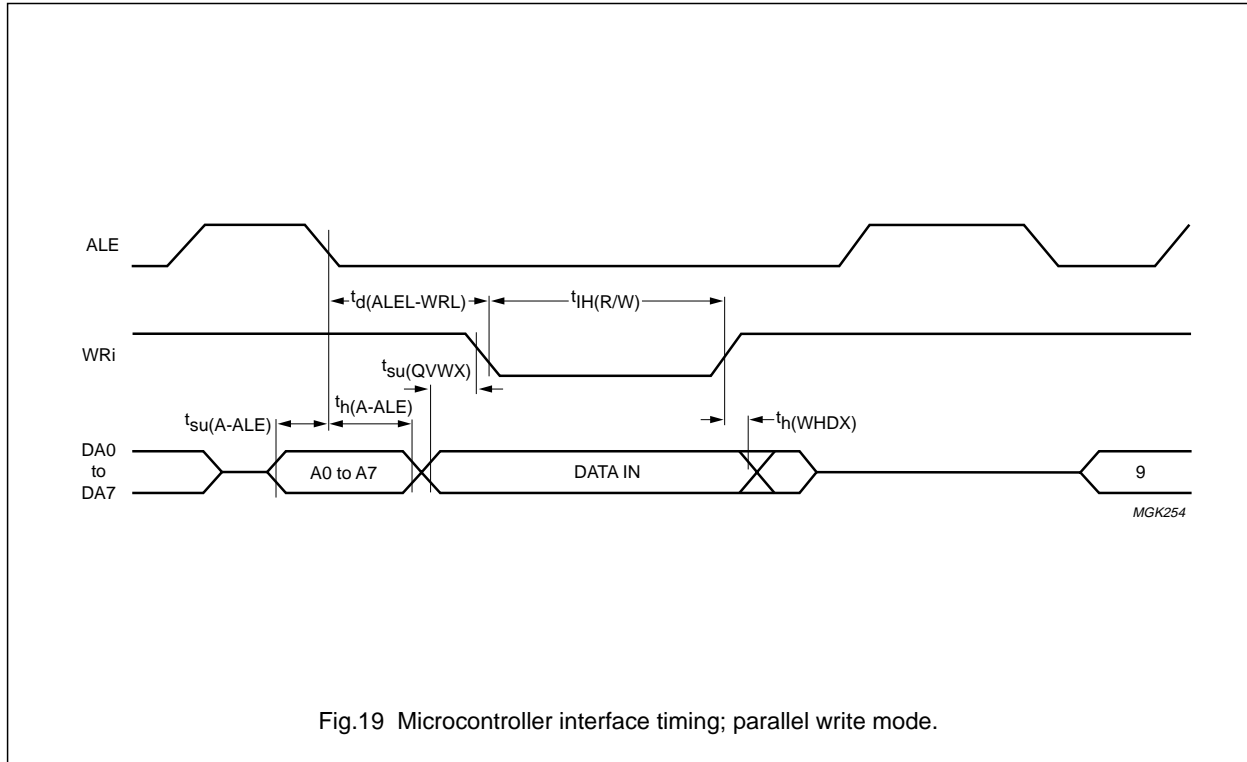


Fig.19 Microcontroller interface timing; parallel write mode.

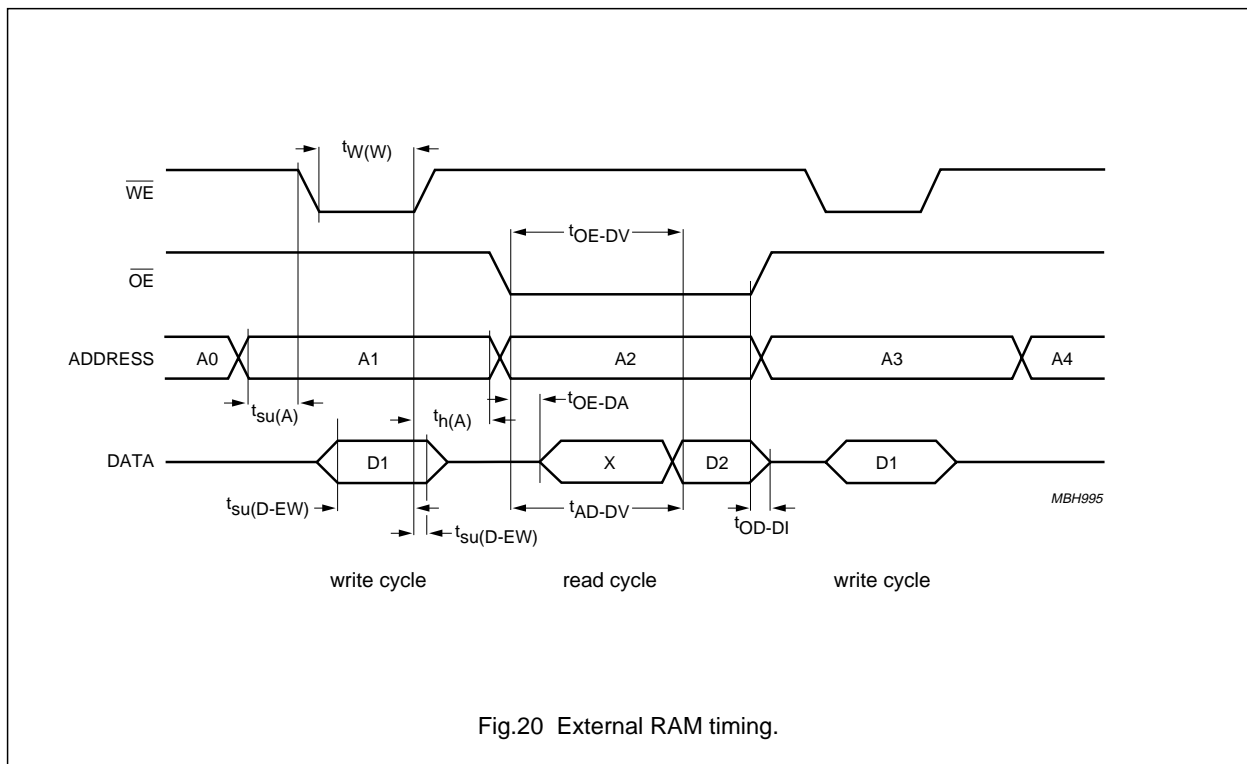


Fig.20 External RAM timing.

DSP for CD and DVD-ROM systems

SAA7335

APPLICATION INFORMATION

The complete data path chipset consists of two ICs, the CD decoder (or DSP) device and the block decoder/host interface manager. In addition to these components a general purpose microcontroller and tracking servo is necessary to produce a complete controller system for a DVD mechanism. The DSP, block decoder and microcontroller are shown highlighted in Fig.21. An ADC application circuit is illustrated in Fig.22.

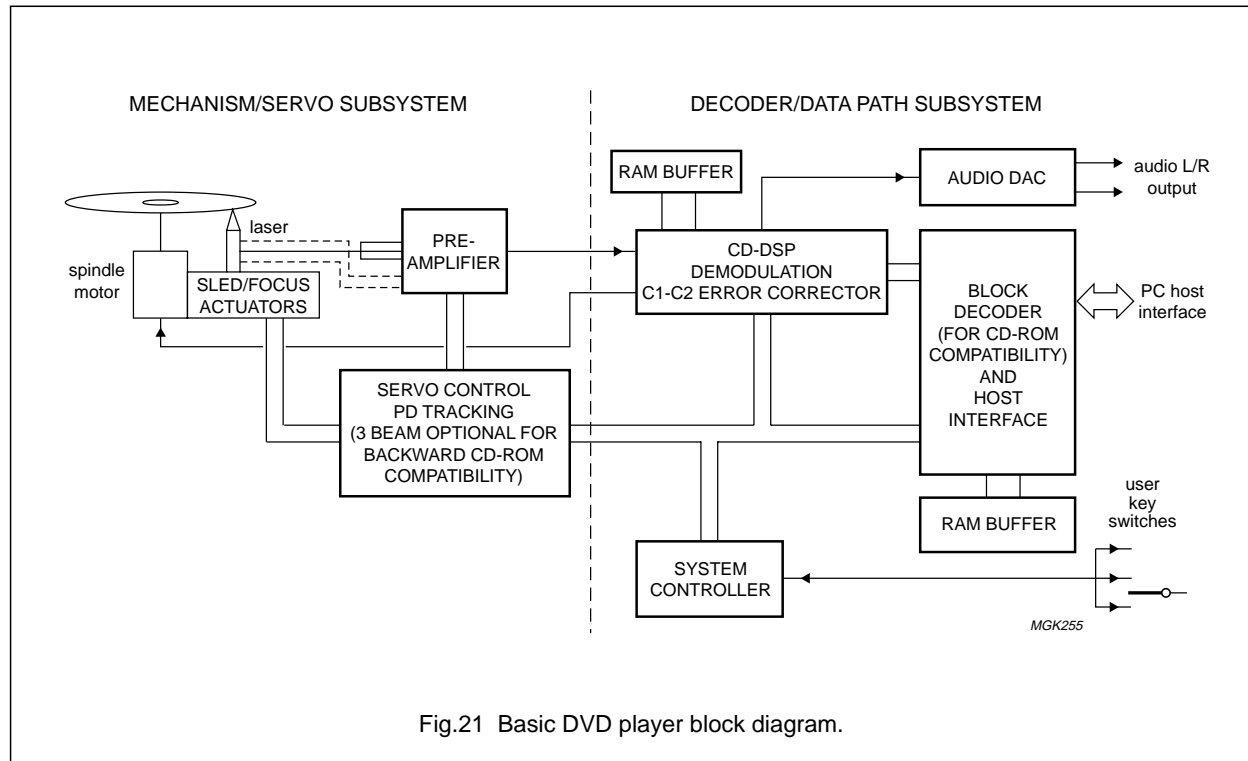


Fig.21 Basic DVD player block diagram.

DSP for CD and DVD-ROM systems

SAA7335

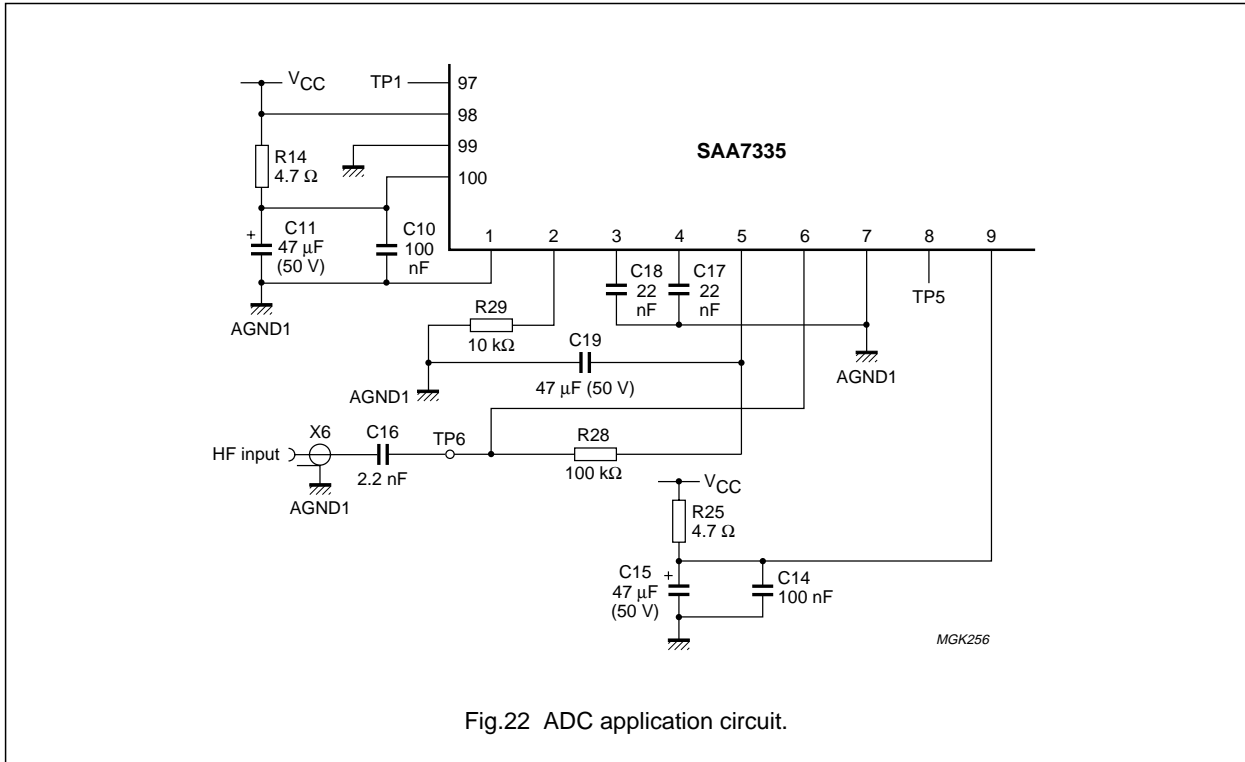


Fig.22 ADC application circuit.

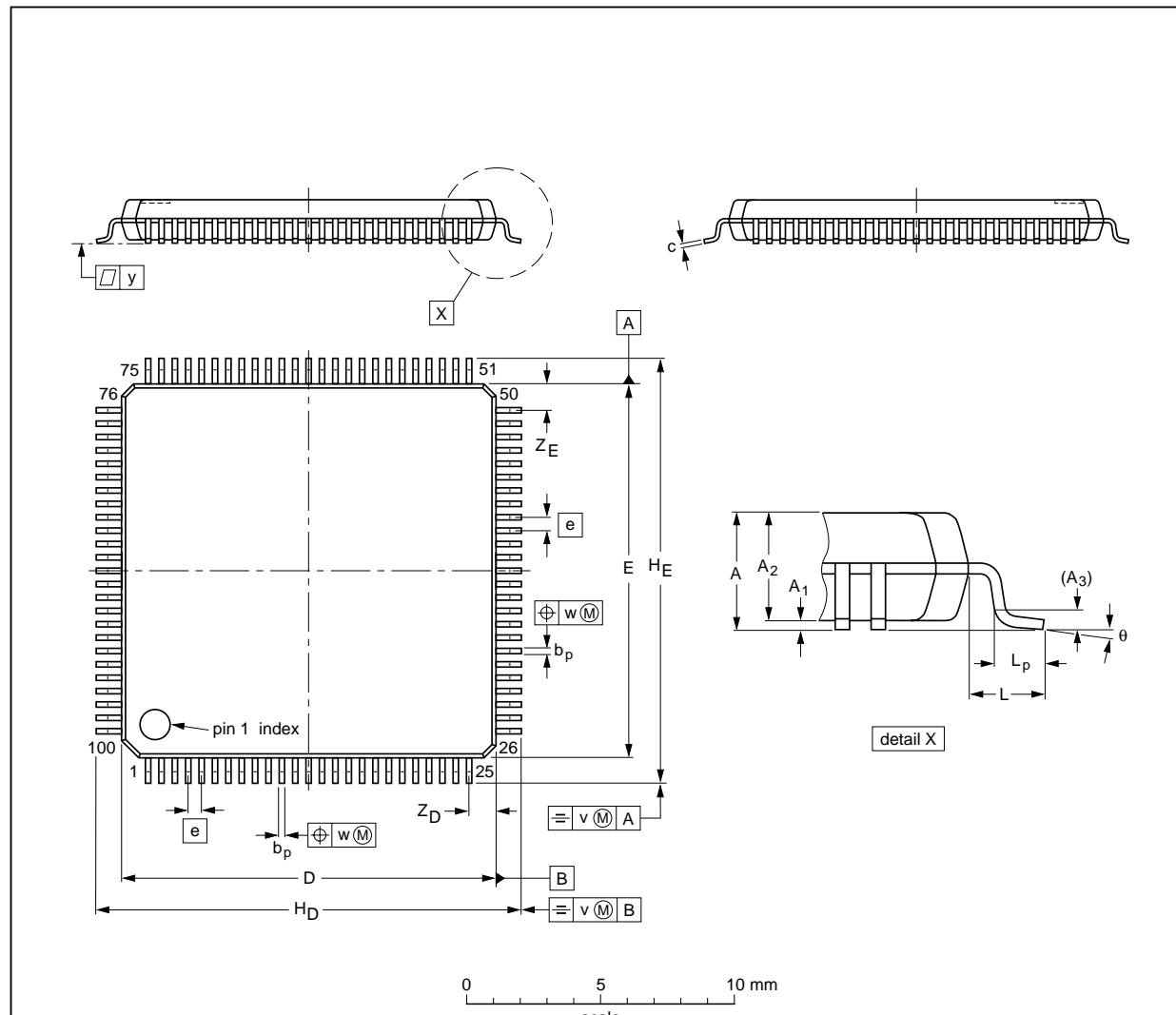
DSP for CD and DVD-ROM systems

SAA7335

PACKAGE OUTLINE

LQFP100: plastic low profile quad flat package; 100 leads; body 14 x 14 x 1.4 mm

SOT407-1



DIMENSIONS (mm are the original dimensions)

UNIT	A max.	A ₁	A ₂	A ₃	b _p	c	D ⁽¹⁾	E ⁽¹⁾	e	H _D	H _E	L	L _p	v	w	y	Z _D ⁽¹⁾	Z _E ⁽¹⁾	θ
mm	1.6	0.20 0.05	1.5 1.3	0.25	0.28 0.16	0.18 0.12	14.1 13.9	14.1 13.9	0.5	16.25 15.75	16.25 15.75	1.0	0.75 0.45	0.2	0.12	0.1	1.15 0.85	1.15 0.85	7° 0°

Note

1. Plastic or metal protrusions of 0.25 mm maximum per side are not included.

OUTLINE VERSION	REFERENCES				EUROPEAN PROJECTION	ISSUE DATE
	IEC	JEDEC	EIAJ			
SOT407-1						95-12-19 97-08-04

DSP for CD and DVD-ROM systems

SAA7335

SOLDERING

Introduction

There is no soldering method that is ideal for all IC packages. Wave soldering is often preferred when through-hole and surface mounted components are mixed on one printed-circuit board. However, wave soldering is not always suitable for surface mounted ICs, or for printed-circuits with high population densities. In these situations reflow soldering is often used.

This text gives a very brief insight to a complex technology. A more in-depth account of soldering ICs can be found in our *"IC Package Databook"* (order code 9398 652 90011).

Reflow soldering

Reflow soldering techniques are suitable for all LQFP packages.

Reflow soldering requires solder paste (a suspension of fine solder particles, flux and binding agent) to be applied to the printed-circuit board by screen printing, stencilling or pressure-syringe dispensing before package placement.

Several techniques exist for reflowing; for example, thermal conduction by heated belt. Dwell times vary between 50 and 300 seconds depending on heating method. Typical reflow temperatures range from 215 to 250 °C.

Preheating is necessary to dry the paste and evaporate the binding agent. Preheating duration: 45 minutes at 45 °C.

Wave soldering

Wave soldering is **not** recommended for LQFP packages. This is because of the likelihood of solder bridging due to closely-spaced leads and the possibility of incomplete solder penetration in multi-lead devices.

If wave soldering cannot be avoided, the following conditions must be observed:

- **A double-wave (a turbulent wave with high upward pressure followed by a smooth laminar wave) soldering technique should be used.**
- **The footprint must be at an angle of 45° to the board direction and must incorporate solder thieves downstream and at the side corners.**

Even with these conditions, do not consider wave soldering LQFP packages LQFP48 (SOT313-2), LQFP64 (SOT314-2) or LQFP80 (SOT315-1).

During placement and before soldering, the package must be fixed with a droplet of adhesive. The adhesive can be applied by screen printing, pin transfer or syringe dispensing. The package can be soldered after the adhesive is cured.

Maximum permissible solder temperature is 260 °C, and maximum duration of package immersion in solder is 10 seconds, if cooled to less than 150 °C within 6 seconds. Typical dwell time is 4 seconds at 250 °C.

A mildly-activated flux will eliminate the need for removal of corrosive residues in most applications.

Repairing soldered joints

Fix the component by first soldering two diagonally-opposite end leads. Use only a low voltage soldering iron (less than 24 V) applied to the flat part of the lead. Contact time must be limited to 10 seconds at up to 300 °C. When using a dedicated tool, all other leads can be soldered in one operation within 2 to 5 seconds between 270 and 320 °C.

DSP for CD and DVD-ROM systems
SAA7335

DEFINITIONS

Data sheet status	
Objective specification	This data sheet contains target or goal specifications for product development.
Preliminary specification	This data sheet contains preliminary data; supplementary data may be published later.
Product specification	This data sheet contains final product specifications.
Limiting values	
Limiting values given are in accordance with the Absolute Maximum Rating System (IEC 134). Stress above one or more of the limiting values may cause permanent damage to the device. These are stress ratings only and operation of the device at these or at any other conditions above those given in the Characteristics sections of the specification is not implied. Exposure to limiting values for extended periods may affect device reliability.	
Application information	
Where application information is given, it is advisory and does not form part of the specification.	

LIFE SUPPORT APPLICATIONS

These products are not designed for use in life support appliances, devices, or systems where malfunction of these products can reasonably be expected to result in personal injury. Philips customers using or selling these products for use in such applications do so at their own risk and agree to fully indemnify Philips for any damages resulting from such improper use or sale.

PURCHASE OF CD/DVD DEVICES

Supply of this CD/DVD IC does not convey an implied license under any patent right to use this IC in any CD or DVD application.

PURCHASE OF PHILIPS I²C COMPONENTS

Purchase of Philips I²C components conveys a license under the Philips' I²C patent to use the components in the I²C system provided the system conforms to the I²C specification defined by Philips. This specification can be ordered using the code 9398 393 40011.

DSP for CD and DVD-ROM systems

SAA7335

NOTES

DSP for CD and DVD-ROM systems

SAA7335

NOTES

Philips Semiconductors – a worldwide company

Argentina: see South America

Australia: 34 Waterloo Road, NORTH RYDE, NSW 2113,
Tel. +61 2 9805 4455, Fax. +61 2 9805 4466

Austria: Computerstr. 6, A-1101 WIEN, P.O. Box 213, Tel. +43 160 1010,
Fax. +43 160 101 1210

Belarus: Hotel Minsk Business Center, Bld. 3, r. 1211, Volodarski Str. 6,
220050 MINSK, Tel. +375 172 200 733, Fax. +375 172 200 773

Belgium: see The Netherlands

Brazil: see South America

Bulgaria: Philips Bulgaria Ltd., Energoproject, 15th floor,
51 James Bourchier Blvd., 1407 SOFIA,
Tel. +359 2 689 211, Fax. +359 2 689 102

Canada: PHILIPS SEMICONDUCTORS/COMPONENTS,
Tel. +1 800 234 7381

China/Hong Kong: 501 Hong Kong Industrial Technology Centre,
72 Tat Chee Avenue, Kowloon Tong, HONG KONG,
Tel. +852 2319 7888, Fax. +852 2319 7700

Colombia: see South America

Czech Republic: see Austria

Denmark: Prags Boulevard 80, PB 1919, DK-2300 COPENHAGEN S,
Tel. +45 32 88 2636, Fax. +45 31 57 0044

Finland: Sinikalliontie 3, FIN-02630 ESPOO,
Tel. +358 9 615800, Fax. +358 9 61580920

France: 4 Rue du Port-aux-Vins, BP317, 92156 SURESNES Cedex,
Tel. +33 1 40 99 6161, Fax. +33 1 40 99 6427

Germany: Hammerbrookstraße 69, D-20097 HAMBURG,
Tel. +49 40 23 53 60, Fax. +49 40 23 536 300

Greece: No. 15, 25th March Street, GR 17778 TAVROS/ATHENS,
Tel. +30 1 4894 339/239, Fax. +30 1 4814 240

Hungary: see Austria

India: Philips INDIA Ltd, Band Box Building, 2nd floor,
254-D, Dr. Annie Besant Road, Worli, MUMBAI 400 025,
Tel. +91 22 493 8541, Fax. +91 22 493 0966

Indonesia: see Singapore

Ireland: Newstead, Clonskeagh, DUBLIN 14,
Tel. +353 1 7640 000, Fax. +353 1 7640 200

Israel: RAPAC Electronics, 7 Kehilat Saloniki St, PO Box 18053,
TEL AVIV 61180, Tel. +972 3 645 0444, Fax. +972 3 649 1007

Italy: PHILIPS SEMICONDUCTORS, Piazza IV Novembre 3,
20124 MILANO, Tel. +39 2 6752 2531, Fax. +39 2 6752 2557

Japan: Philips Bldg 13-37, Kohnan 2-chome, Minato-ku, TOKYO 108,
Tel. +81 3 3740 5130, Fax. +81 3 3740 5077

Korea: Philips House, 260-199 Itaewon-dong, Yongsan-ku, SEOUL,
Tel. +82 2 709 1412, Fax. +82 2 709 1415

Malaysia: No. 76 Jalan Universiti, 46200 PETALING JAYA, SELANGOR,
Tel. +60 3 750 5214, Fax. +60 3 757 4880

Mexico: 5900 Gateway East, Suite 200, EL PASO, TEXAS 79905,
Tel. +9-5 800 234 7381

Middle East: see Italy

Netherlands: Postbus 90050, 5600 PB EINDHOVEN, Bldg. VB,
Tel. +31 40 27 82785, Fax. +31 40 27 88399

New Zealand: 2 Wagener Place, C.P.O. Box 1041, AUCKLAND,
Tel. +64 9 849 4160, Fax. +64 9 849 7811

Norway: Box 1, Manglerud 0612, OSLO,
Tel. +47 22 74 8000, Fax. +47 22 74 8341

Philippines: Philips Semiconductors Philippines Inc.,
106 Valero St. Salcedo Village, P.O. Box 2108 MCC, MAKATI,
Metro MANILA, Tel. +63 2 816 6380, Fax. +63 2 817 3474

Poland: Ul. Lukiska 10, PL 04-123 WARSZAWA,
Tel. +48 22 612 2831, Fax. +48 22 612 2327

Portugal: see Spain

Romania: see Italy

Russia: Philips Russia, Ul. Usatcheva 35A, 119048 MOSCOW,
Tel. +7 095 755 6918, Fax. +7 095 755 6919

Singapore: Lorong 1, Toa Payoh, SINGAPORE 1231,
Tel. +65 350 2538, Fax. +65 251 6500

Slovakia: see Austria

Slovenia: see Italy

South Africa: S.A. PHILIPS Pty Ltd., 195-215 Main Road Martindale,
2092 JOHANNESBURG, P.O. Box 7430 Johannesburg 2000,
Tel. +27 11 470 5911, Fax. +27 11 470 5494

South America: Rua do Rocio 220, 5th floor, Suite 51,
04552-903 São Paulo, SÃO PAULO - SP, Brazil,
Tel. +55 11 821 2333, Fax. +55 11 829 1849

Spain: Balmes 22, 08007 BARCELONA,
Tel. +34 3 301 6312, Fax. +34 3 301 4107

Sweden: Kottbygatan 7, Akalla, S-16485 STOCKHOLM,
Tel. +46 8 632 2000, Fax. +46 8 632 2745

Switzerland: Allmendstrasse 140, CH-8027 ZÜRICH,
Tel. +41 1 488 2686, Fax. +41 1 481 7730

Taiwan: Philips Semiconductors, 6F, No. 96, Chien Kuo N. Rd., Sec. 1,
TAIPEI, Taiwan Tel. +886 2 2134 2865, Fax. +886 2 2134 2874

Thailand: PHILIPS ELECTRONICS (THAILAND) Ltd.,
209/2 Sanpavuth-Bangna Road Prakanong, BANGKOK 10260,
Tel. +66 2 745 4090, Fax. +66 2 398 0793

Turkey: Talatpasa Cad. No. 5, 80640 GÜLTEPE/ISTANBUL,
Tel. +90 212 279 2770, Fax. +90 212 282 6707

Ukraine: PHILIPS UKRAINE, 4 Patrice Lumumba str., Building B, Floor 7,
252042 KIEV, Tel. +380 44 264 2776, Fax. +380 44 268 0461

United Kingdom: Philips Semiconductors Ltd., 276 Bath Road, Hayes,
MIDDLESEX UB3 5BX, Tel. +44 181 730 5000, Fax. +44 181 754 8421

United States: 811 East Arques Avenue, SUNNYVALE, CA 94088-3409,
Tel. +1 800 234 7381

Uruguay: see South America

Vietnam: see Singapore

Yugoslavia: PHILIPS, Trg N. Pasica 5/v, 11000 BEOGRAD,
Tel. +381 11 625 344, Fax. +381 11 635 777

For all other countries apply to: Philips Semiconductors, Marketing & Sales Communications,
Building BE-p, P.O. Box 218, 5600 MD EINDHOVEN, The Netherlands, Fax. +31 40 27 24825

Internet: <http://www.semiconductors.philips.com>

© Philips Electronics N.V. 1997

SCA55

All rights are reserved. Reproduction in whole or in part is prohibited without the prior written consent of the copyright owner.

The information presented in this document does not form part of any quotation or contract, is believed to be accurate and reliable and may be changed without notice. No liability will be accepted by the publisher for any consequence of its use. Publication thereof does not convey nor imply any license under patent- or other industrial or intellectual property rights.

Printed in The Netherlands

547027/1200/01/pp36

Date of release: 1997 Aug 11

Document order number: 9397 750 01764

Let's make things better.

Philips
Semiconductors



PHILIPS