



For most current data sheet and other product information, visit [www.burr-brown.com](http://www.burr-brown.com)

## Serial Input, 16-Bit, Voltage Output DIGITAL-TO-ANALOG CONVERTER

### FEATURES

- **LOW POWER:** 2.5mW
- **UNIPOLAR OR BIPOLAR OPERATION**
- **SETTLING TIME:** 10 $\mu$ s to 0.003%
- **15-BIT LINEARITY AND MONOTONICITY:**  $-40^{\circ}\text{C}$  to  $+85^{\circ}\text{C}$
- **USER SELECTABLE RESET TO MID-SCALE OR ZERO-SCALE**
- **SMALL SSOP-20 PACKAGE**

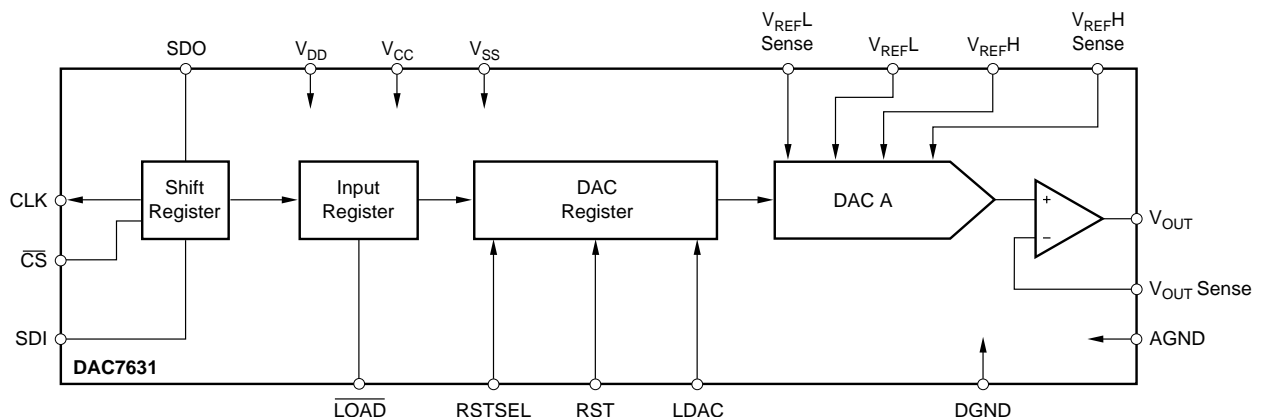
### APPLICATIONS

- **ATE PIN ELECTRONICS**
- **PROCESS CONTROL**
- **CLOSED-LOOP SERVO-CONTROL**
- **MOTOR CONTROL**
- **DATA ACQUISITION SYSTEMS**

### DESCRIPTION

The DAC7631 is a serial input, 16-bit, voltage output Digital-to-Analog Converter (D/A) with guaranteed 15-bit monotonic performance over the  $-40^{\circ}\text{C}$  to  $+85^{\circ}\text{C}$  temperature range. An asynchronous reset clears all registers to either mid-scale ( $8000_{\text{H}}$ ) or zero-scale ( $0000_{\text{H}}$ ), selectable via the RESETSEL pin. The device can be powered from a single +5V supply or from dual +5V and  $-5\text{V}$  supplies.

Low power and small size makes the DAC7631 ideal for process control, data acquisition systems, and closed-loop servo-control. The device is available in a SSOP-20 package, and is guaranteed over the  $-40^{\circ}\text{C}$  to  $+85^{\circ}\text{C}$  temperature range.



# SPECIFICATIONS (Dual Supply)

At  $T_A = T_{MIN}$  to  $T_{MAX}$ ,  $V_{DD} = V_{CC} = +5V$ ,  $V_{SS} = -5V$ ,  $V_{REFH} = +2.5V$ , and  $V_{REFL} = -2.5V$ , unless otherwise noted.

| PARAMETER                            | CONDITIONS   | DAC7631E           |            |                    | DAC7631EB |     |     | UNITS  |
|--------------------------------------|--|--------------------|------------|--------------------|-----------|-----|-----|--------|
|                                      |  | MIN                | TYP        | MAX                | MIN       | TYP | MAX |        |
| <b>ACCURACY</b>                      |  |                    |            |                    |           |     |     |        |
| Linearity Error                      |  |                    | ±3         | ±4                 |           | ±2  | ±3  | LSB    |
| Differential Linearity Error         |  |                    | ±2         | ±3                 |           | ±1  | ±2  | LSB    |
| Monotonicity, $T_{MIN}$ to $T_{MAX}$ |  | 14                 |            |                    | 15        |     |     | Bits   |
| Bipolar Zero Error                   |  |                    | ±1         | ±2                 |           | *   | *   | mV     |
| Bipolar Zero Error Drift             |  |                    | 5          | 10                 |           | *   | *   | ppm/°C |
| Full-Scale Error                     |  |                    | ±1         | ±2                 |           | *   | *   | mV     |
| Full-Scale Error Drift               |  |                    | 5          | 10                 |           | *   | *   | ppm/°C |
| Power Supply Rejection Ratio (PSRR)  | At Full Scale  |                    | 10         | 100                |           | *   | *   | ppm/V  |
| <b>ANALOG OUTPUT</b>                 |  |                    |            |                    |           |     |     |        |
| Voltage Output                       | $V_{REF} = -2.5V$ , $R_L = 10k\Omega$ , $V_{SS} = -5V$                           | $V_{REFL}$         |            | $V_{REFH}$         | *         |     | *   | V      |
| Output Current                       |  | -1.25              |            | +1.25              | *         |     | *   | mA     |
| Maximum Load Capacitance             | No Oscillation   |                    | 500        |                    |           | *   |     | pF     |
| Short-Circuit Current                |  |                    | -10, +30   |                    |           | *   |     | mA     |
| Short-Circuit Duration               | GND or $V_{CC}$ or $V_{SS}$  |                    | Indefinite |                    |           | *   |     |        |
| <b>REFERENCE INPUT</b>               |  |                    |            |                    |           |     |     |        |
| Ref High Input Voltage Range         |  | $V_{REFL} + 1.25$  |            | +2.5               | *         |     | *   | V      |
| Ref Low Input Voltage Range          |  | -2.5               |            | $V_{REFH} - 1.25$  | *         |     | *   | V      |
| Ref High Input Current               |  |                    | 500        |                    |           | *   |     | μA     |
| Ref Low Input Current                |  |                    | -500       |                    |           | *   |     | μA     |
| <b>DYNAMIC PERFORMANCE</b>           |  |                    |            |                    |           |     |     |        |
| Settling Time                        | To ±0.003%, 5V Output Step   |                    | 8          | 10                 |           | *   | *   | μs     |
| Digital Feedthrough                  |  |                    | 2          |                    |           | *   |     | nV-s   |
| Output Noise Voltage                 | f = 10kHz  |                    | 60         |                    |           | *   |     | nV/√Hz |
| DAC Glitch                           | 7FFF <sub>H</sub> to 8000 <sub>H</sub> or 8000 <sub>H</sub> to 7FFF <sub>H</sub> |                    | 40         |                    |           | *   |     | nV-s   |
| <b>DIGITAL INPUT</b>                 |  |                    |            |                    |           |     |     |        |
| $V_{IH}$                             |  | $0.7 \cdot V_{DD}$ |            |                    | *         |     |     | V      |
| $V_{IL}$                             |  |                    |            | $0.3 \cdot V_{DD}$ |           |     | *   | V      |
| $I_{IH}$                             |  |                    |            | ±10                |           |     | *   | μA     |
| $I_{IL}$                             |  |                    |            | ±10                |           |     | *   | μA     |
| <b>DIGITAL OUTPUT</b>                |  |                    |            |                    |           |     |     |        |
| $V_{OH}$                             | $I_{OH} = -0.8mA$  | 3.6                | 4.5        |                    | *         | *   | *   | V      |
| $V_{OL}$                             | $I_{OL} = 1.6mA$   |                    | 0.3        | 0.4                |           | *   | *   | V      |
| <b>POWER SUPPLY</b>                  |  |                    |            |                    |           |     |     |        |
| $V_{DD}$                             |  | +4.75              | +5.0       | +5.25              | *         | *   | *   | V      |
| $V_{CC}$                             |  | +4.75              | +5.0       | +5.25              | *         | *   | *   | V      |
| $V_{SS}$                             |  | -5.25              | -5.0       | -4.75              | *         | *   | *   | V      |
| $I_{CC}$                             |  |                    | 0.4        | 0.5                |           | *   | *   | mA     |
| $I_{DD}$                             |  |                    | 50         |                    |           | *   | *   | μA     |
| $I_{SS}$                             |  | -0.6               | -0.5       |                    | *         | *   | *   | mA     |
| Power                                |  |                    | 4          | 5.5                |           | *   | *   | mW     |
| <b>TEMPERATURE RANGE</b>             |  |                    |            |                    |           |     |     |        |
| Specified Performance                |  | -40                |            | +85                | *         |     | *   | °C     |

\* Specifications same as DAC7631E.

The information provided herein is believed to be reliable; however, BURR-BROWN assumes no responsibility for inaccuracies or omissions. BURR-BROWN assumes no responsibility for the use of this information, and all use of such information shall be entirely at the user's own risk. Prices and specifications are subject to change without notice. No patent rights or licenses to any of the circuits described herein are implied or granted to any third party. BURR-BROWN does not authorize or warrant any BURR-BROWN product for use in life support devices and/or systems.

# SPECIFICATIONS (Single Supply)

At  $T_A = T_{MIN}$  to  $T_{MAX}$ ,  $V_{DD} = V_{CC} = +5V$ ,  $V_{SS} = 0V$ ,  $V_{REFH} = +2.5V$ , and  $V_{REFL} = 0V$ , unless otherwise noted.

| PARAMETER                            | CONDITIONS  | DAC7631E           |            |                    | DAC7631EB |     |     | UNITS  |
|--------------------------------------|---|--------------------|------------|--------------------|-----------|-----|-----|--------|
|                                      |   | MIN                | TYP        | MAX                | MIN       | TYP | MAX |        |
| <b>ACCURACY</b>                      |   |                    |            |                    |           |     |     |        |
| Linearity Error <sup>(1)</sup>       |   |                    | ±3         | ±4                 |           | ±2  | ±3  | LSB    |
| Differential Linearity Error         |   |                    | ±2         | ±3                 |           | ±1  | ±2  | LSB    |
| Monotonicity, $T_{MIN}$ to $T_{MAX}$ |   | 14                 |            |                    | 15        |     |     | Bits   |
| Zero Scale Error                     |   |                    | ±1         | ±2                 |           | *   | *   | mV     |
| Zero Scale Error Drift               |   |                    | 5          | 10                 |           | *   | *   | ppm/°C |
| Full-Scale Error                     |   |                    | ±1         | ±2                 |           | *   | *   | mV     |
| Full-Scale Error Drift               |   |                    | 5          | 10                 |           | *   | *   | ppm/°C |
| Power Supply Rejection Ratio (PSRR)  | At Full Scale                                       |                    | 10         | 100                |           | *   | *   | ppm/V  |
| <b>ANALOG OUTPUT</b>                 |   |                    |            |                    |           |     |     |        |
| Voltage Output                       | $V_{REFL} = 0V$ , $V_{SS} = 0V$ , $R_L = 10k\Omega$ | 0                  |            | $V_{REFH}$         | *         |     | *   | V      |
| Output Current                       |   | -1.25              |            | +1.25              | *         |     | *   | mA     |
| Maximum Load Capacitance             | No Oscillation                                      |                    | 500        |                    |           | *   | *   | pF     |
| Short-Circuit Current                |   |                    | ±30        |                    |           | *   | *   | mA     |
| Short-Circuit Duration               | GND or $V_{CC}$                                     |                    | Indefinite |                    |           | *   | *   |        |
| <b>REFERENCE INPUT</b>               |   |                    |            |                    |           |     |     |        |
| Ref High Input Voltage Range         |   | $V_{REFL} + 1.25$  |            | +2.5               | *         |     | *   | V      |
| Ref Low Input Voltage Range          |   | 0                  |            | $V_{REFH} - 1.25$  | *         |     | *   | V      |
| Ref High Input Current               |   |                    | 250        |                    |           | *   | *   | μA     |
| Ref Low Input Current                |   |                    | -250       |                    |           | *   | *   | μA     |
| <b>DYNAMIC PERFORMANCE</b>           |   |                    |            |                    |           |     |     |        |
| Settling Time                        | To ±0.003%, 2.5V Output Step                        |                    | 8          | 10                 |           | *   | *   | μs     |
| Digital Feedthrough                  |   |                    | 2          |                    |           | *   | *   | nV-s   |
| Output Noise Voltage, $f = 10kHz$    |   |                    | 60         |                    |           | *   | *   | nV/√Hz |
| DAC Glitch                           | $7FFF_H$ to $8000_H$ or $8000_H$ to $7FFF_H$        |                    | 40         |                    |           | *   | *   | nV-s   |
| <b>DIGITAL INPUT</b>                 |   |                    |            |                    |           |     |     |        |
| $V_{IH}$                             |   | $0.7 \cdot V_{DD}$ |            |                    | *         |     | *   | V      |
| $V_{IL}$                             |   |                    |            | $0.3 \cdot V_{DD}$ |           |     | *   | V      |
| $I_{IH}$                             |   |                    |            | ±10                |           |     | *   | μA     |
| $I_{IL}$                             |   |                    |            | ±10                |           |     | *   | μA     |
| <b>DIGITAL OUTPUT</b>                |   |                    |            |                    |           |     |     |        |
| $V_{OH}$                             | $I_{OH} = -0.8mA$                                   | 3.6                | 4.5        |                    | *         | *   | *   | V      |
| $V_{OL}$                             | $I_{OL} = 1.6mA$                                    |                    | 0.3        | 0.4                | *         | *   | *   | V      |
| <b>POWER SUPPLY</b>                  |   |                    |            |                    |           |     |     |        |
| $V_{DD}$                             |   | +4.75              | +5.0       | +5.25              | *         | *   | *   | V      |
| $V_{CC}$                             |   | +4.75              | +5.0       | +5.25              | *         | *   | *   | V      |
| $V_{SS}$                             |   | 0                  | 0          | 0                  | *         | *   | *   | V      |
| $I_{CC}$                             |   |                    | 0.4        | 0.5                |           | *   | *   | mA     |
| $I_{DD}$                             |   |                    | 50         |                    |           | *   | *   | μA     |
| Power                                |   |                    | 1.8        | 2.5                |           | *   | *   | mW     |
| <b>TEMPERATURE RANGE</b>             |   |                    |            |                    |           |     |     |        |
| Specified Performance                |   | -40                |            | +85                | *         |     | *   | °C     |

NOTE: (1) If  $V_{SS} = 0V$  specification applies at Code 0040<sub>H</sub> and above due to possible negative zero-scale error.

\* Specifications same as DAC7631E.

## ABSOLUTE MAXIMUM RATINGS<sup>(1)</sup>

|   |                                |
|---|--------------------------------|
| $V_{DD}$ to $V_{SS}$ .....              | -0.3V to +11V                  |
| $V_{DD}$ to GND .....                   | -0.3V to +5.5V                 |
| $V_{REFL}$ to $V_{SS}$ .....            | -0.3V to ( $V_{DD} - V_{SS}$ ) |
| $V_{DD}$ to $V_{REFH}$ .....            | -0.3V to ( $V_{DD} - V_{SS}$ ) |
| $V_{REFH}$ to $V_{REFL}$ .....          | -0.3V to ( $V_{DD} - V_{SS}$ ) |
| Digital Input Voltage to GND .....      | -0.3V to $V_{DD} + 0.3V$       |
| Maximum Junction Temperature .....      | +150°C                         |
| Operating Temperature Range .....       | -40°C to +85°C                 |
| Storage Temperature Range .....         | -65°C to +150°C                |
| Lead Temperature (soldering, 10s) ..... | +300°C                         |

NOTE: (1) Stresses above those listed under "Absolute Maximum Ratings" may cause permanent damage to the device. Exposure to absolute maximum conditions for extended periods may affect device reliability.



## ELECTROSTATIC DISCHARGE SENSITIVITY

This integrated circuit can be damaged by ESD. Burr-Brown recommends that all integrated circuits be handled with appropriate precautions. Failure to observe proper handling and installation procedures can cause damage.

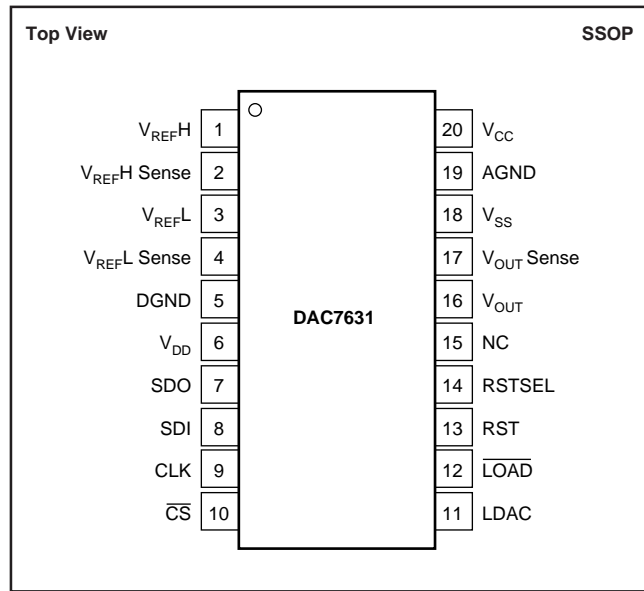
ESD damage can range from subtle performance degradation to complete device failure. Precision integrated circuits may be more susceptible to damage because very small parametric changes could cause the device not to meet its published specifications.

## PACKAGE/ORDERING INFORMATION

| PRODUCT        | MAXIMUM LINEARITY ERROR (LSB) | MAXIMUM DIFFERENTIAL LINEARITY (LSB) | PACKAGE      | PACKAGE DRAWING NUMBER | SPECIFICATION TEMPERATURE RANGE | ORDERING NUMBER <sup>(1)</sup> | TRANSPORT MEDIA        |
|----------------|-------------------------------|--------------------------------------|--------------|------------------------|---------------------------------|--------------------------------|------------------------|
| DAC7631E<br>"  | ±4<br>"                       | ±3<br>"                              | SSOP-20<br>" | 334<br>"               | -40°C to +85°C<br>"             | DAC7631E<br>DAC7631E/1K        | Rails<br>Tape and Reel |
| DAC7631EB<br>" | ±3<br>"                       | ±2<br>"                              | SSOP-20<br>" | 334<br>"               | -40°C to +85°C<br>"             | DAC7631EB<br>DAC7631EB/1K      | Rails<br>Tape and Reel |

NOTE : (1) Models with a slash (/) are available only in Tape and Reel in the quantities indicated (e.g., /1K indicates 1000 devices per reel). Ordering 1000 pieces of "DAC7631E/1K" will get a single 1000-piece Tape and Reel.

## PIN CONFIGURATION



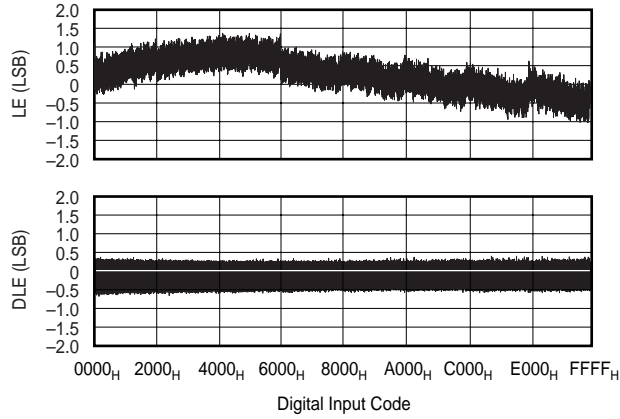
## PIN DESCRIPTIONS

| PIN | LABEL                   | DESCRIPTION  |
|-----|-------------------------|--|
| 1   | V <sub>REFH</sub>       | DAC Reference High Input   |
| 2   | V <sub>REFH</sub> Sense | DAC Reference Sense High Input   |
| 3   | V <sub>REFL</sub>       | DAC Reference Low Input  |
| 4   | V <sub>REFL</sub> Sense | DAC Reference Sense Low Input  |
| 5   | DGND                    | Digital Ground   |
| 6   | V <sub>DD</sub>         | Logic Power Supply   |
| 7   | SDO                     | Serial Data Output   |
| 8   | SDI                     | Serial Data Input  |
| 9   | CLK                     | Data Clock   |
| 10  | $\overline{CS}$         | Chip Select, Active LOW.   |
| 11  | LDAC                    | DAC Register Load Control, Rising Edge Triggered.  |
| 12  | $\overline{LOAD}$       | DAC Input Register Load Control, Active LOW.   |
| 13  | RST                     | Reset, Rising Edge. Depending on the state of RSTSEL, the DAC Register is set to either midscale or zero.  |
| 14  | RSTSEL                  | Reset Select. Determines the action of RST. If HIGH, a RST command will set the DAC register to midscale. If low, a RST command will set the DAC register to zero. |
| 15  | NC                      | No Connection  |
| 16  | V <sub>OUT</sub>        | DAC Voltage Output   |
| 17  | V <sub>OUT</sub> Sense  | DAC Output Amplifier Inverting Input, Used to Close the Feedback Loop at the Load.   |
| 18  | V <sub>SS</sub>         | Negative Power Supply  |
| 19  | AGND                    | Analog Ground  |
| 20  | V <sub>CC</sub>         | Positive Power Supply  |

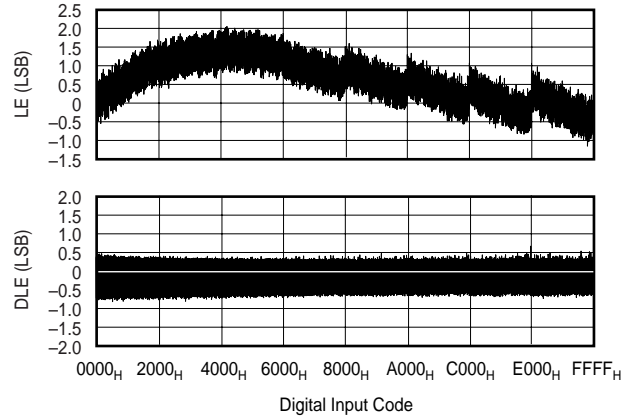
# TYPICAL PERFORMANCE CURVES: $V_{SS} = 0V$

At  $T_A = +25^\circ C$ ,  $V_{DD} = V_{CC} = +5V$ ,  $V_{SS} = 0V$ ,  $V_{REFH} = +2.5V$ , and  $V_{REFL} = 0V$ , representative unit, unless otherwise specified.

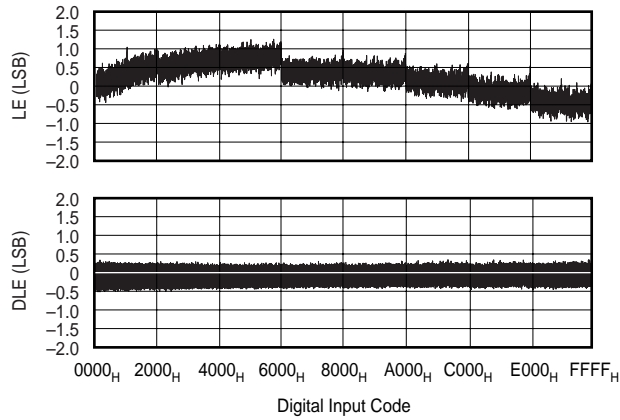
LINEARITY ERROR AND DIFFERENTIAL LINEARITY ERROR vs CODE (+25°C)



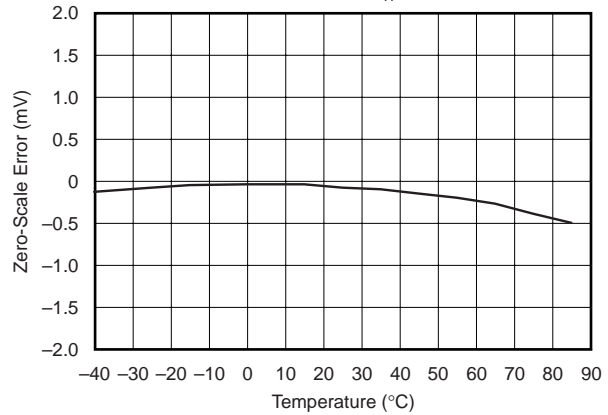
LINEARITY ERROR AND DIFFERENTIAL LINEARITY ERROR vs CODE (+85°C)



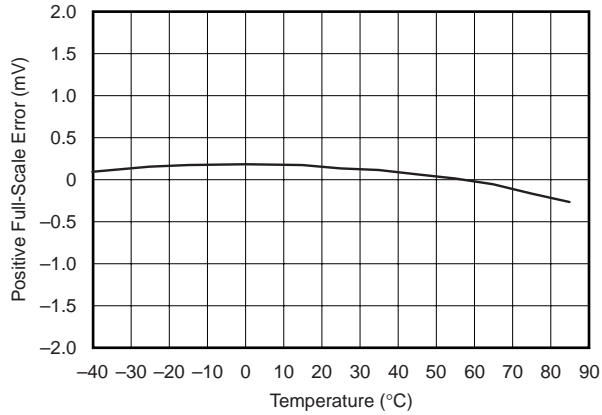
LINEARITY ERROR AND DIFFERENTIAL LINEARITY ERROR vs CODE (-40°C)



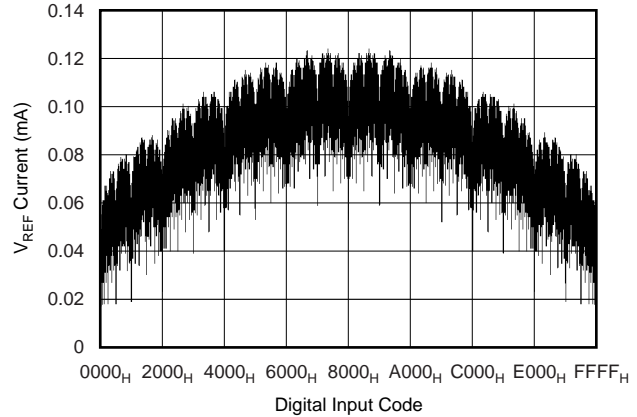
ZERO-SCALE ERROR vs TEMPERATURE (Code 0040<sub>H</sub>)



POSITIVE FULL-SCALE ERROR vs TEMPERATURE (Code FFFF<sub>H</sub>)

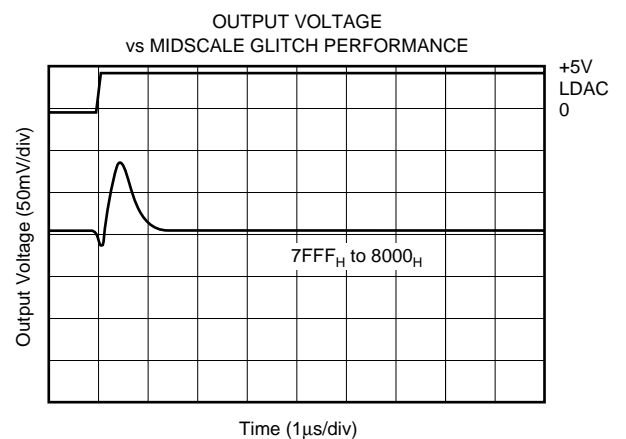
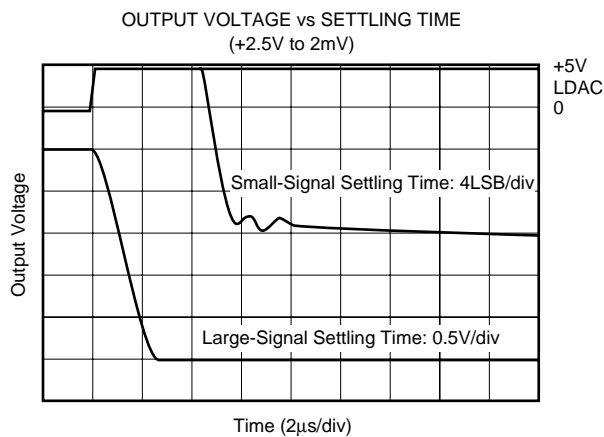
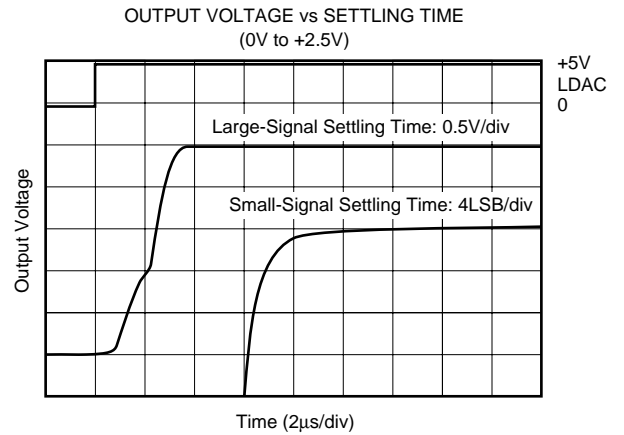
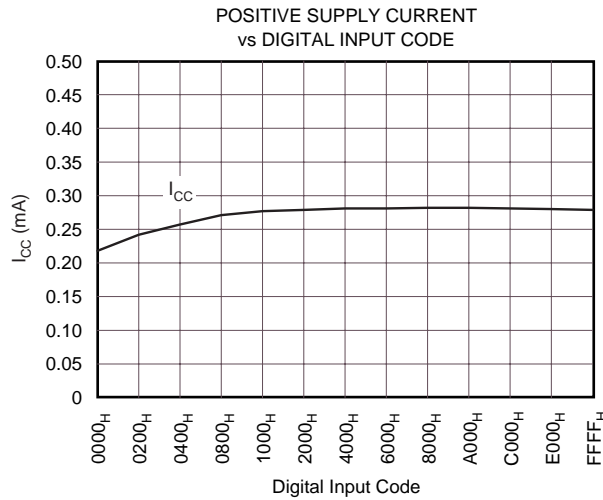
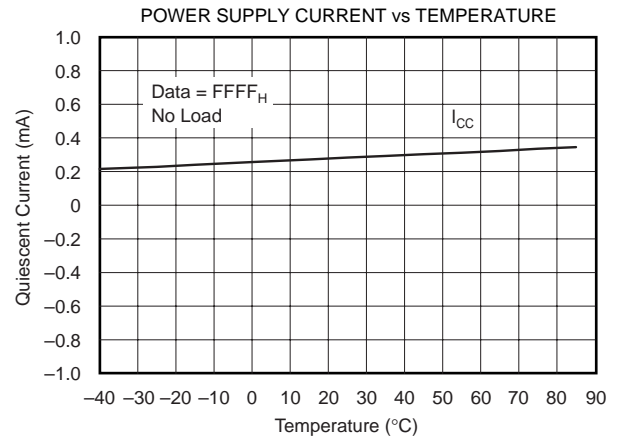
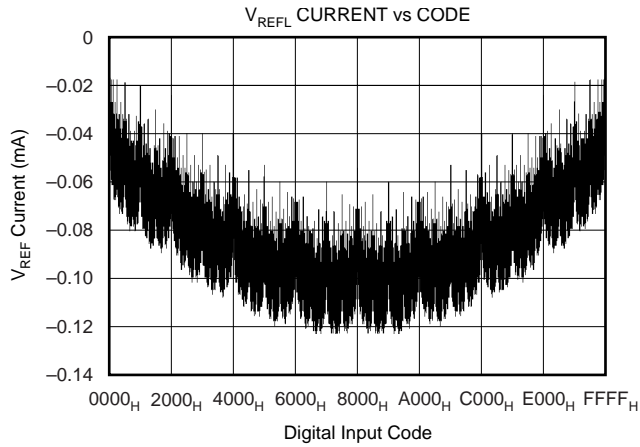


$V_{REFH}$  CURRENT vs CODE



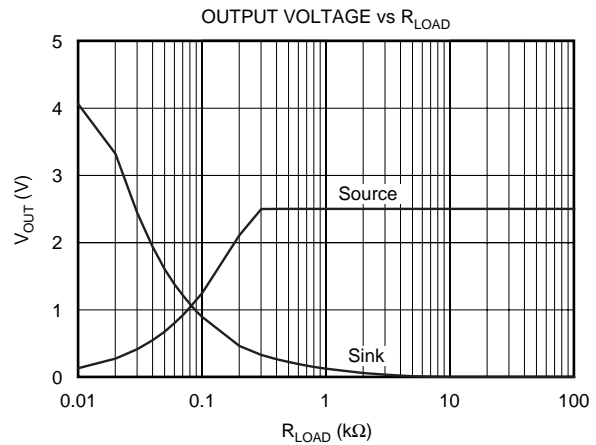
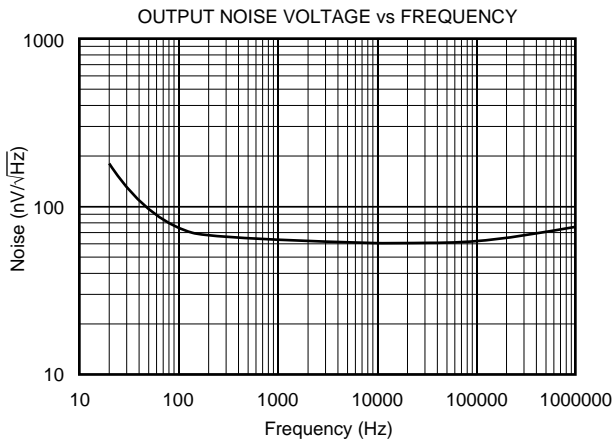
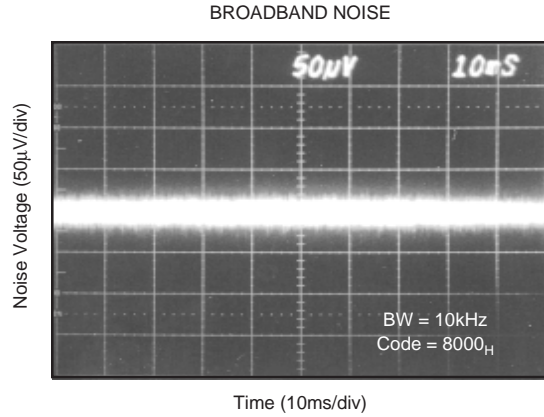
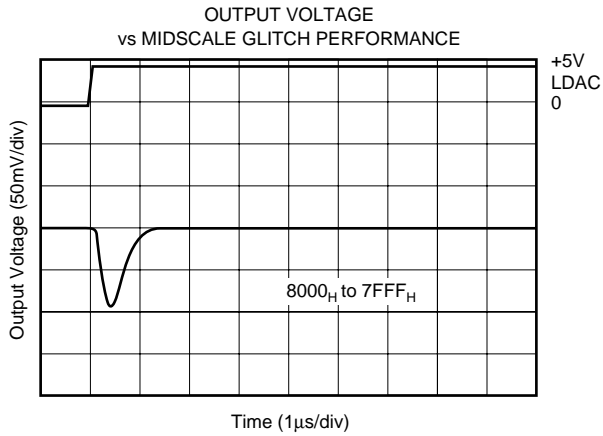
# TYPICAL PERFORMANCE CURVES: $V_{SS} = 0V$ (Cont.)

At  $T_A = +25^\circ C$ ,  $V_{DD} = V_{CC} = +5V$ ,  $V_{SS} = 0V$ ,  $V_{REFH} = +2.5V$ , and  $V_{REFL} = 0V$ , representative unit, unless otherwise specified.



# TYPICAL PERFORMANCE CURVES: $V_{SS} = 0V$ (Cont.)

At  $T_A = +25^\circ C$ ,  $V_{DD} = V_{CC} = +5V$ ,  $V_{SS} = 0V$ ,  $V_{REFH} = +2.5V$ , and  $V_{REFL} = 0V$ , representative unit, unless otherwise specified.

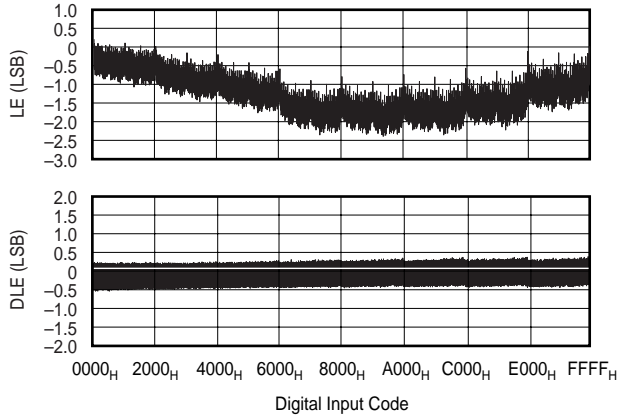




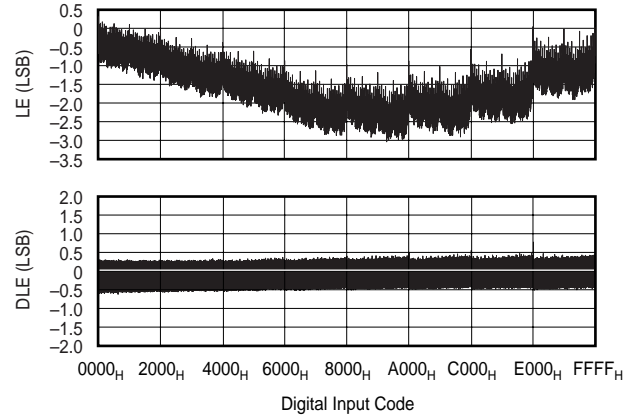
# TYPICAL PERFORMANCE CURVES: $V_{SS} = -5V$

At  $T_A = +25^\circ C$ ,  $V_{DD} = V_{CC} = +5V$ ,  $V_{SS} = -5V$ ,  $V_{REFH} = +2.5V$ , and  $V_{REFL} = -2.5V$ , representative unit, unless otherwise specified.

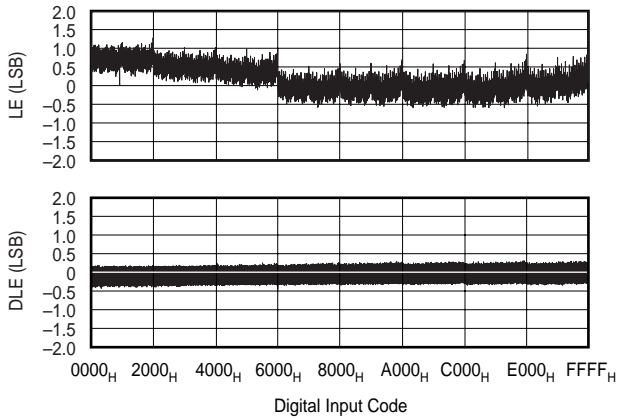
LINEARITY ERROR AND DIFFERENTIAL LINEARITY ERROR vs CODE (+25°C)



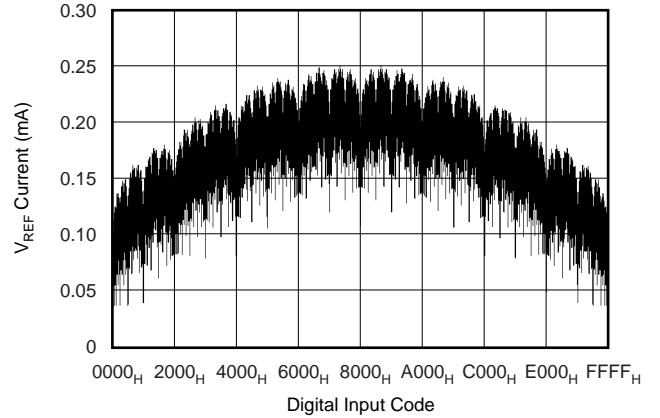
LINEARITY ERROR AND DIFFERENTIAL LINEARITY ERROR vs CODE (+85°C)



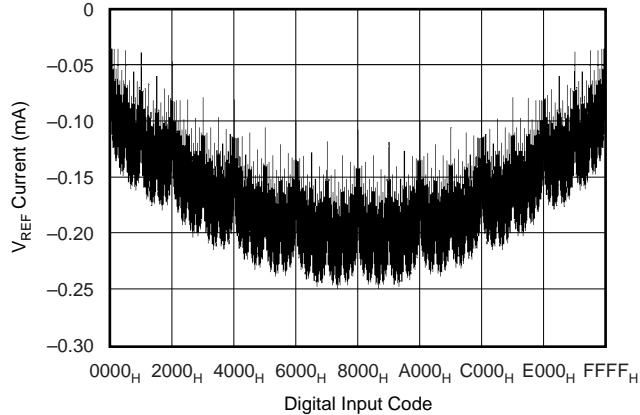
LINEARITY ERROR AND DIFFERENTIAL LINEARITY ERROR vs CODE (-40°C)



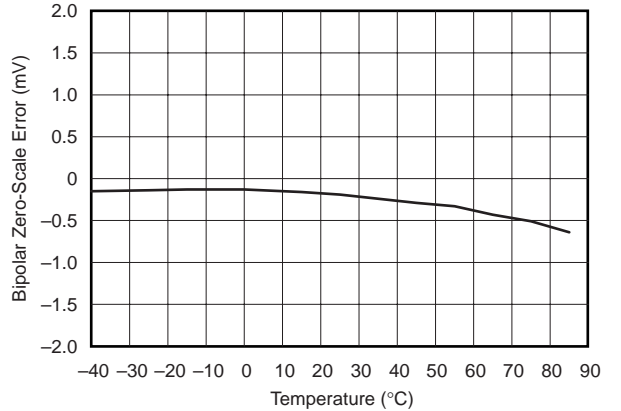
$V_{REFH}$  CURRENT vs CODE



$V_{REFL}$  CURRENT vs CODE

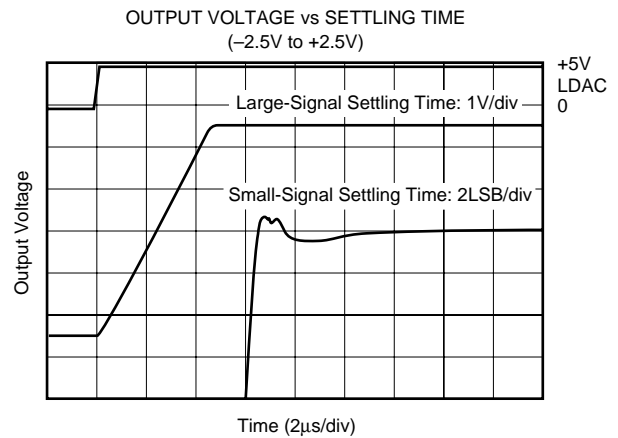
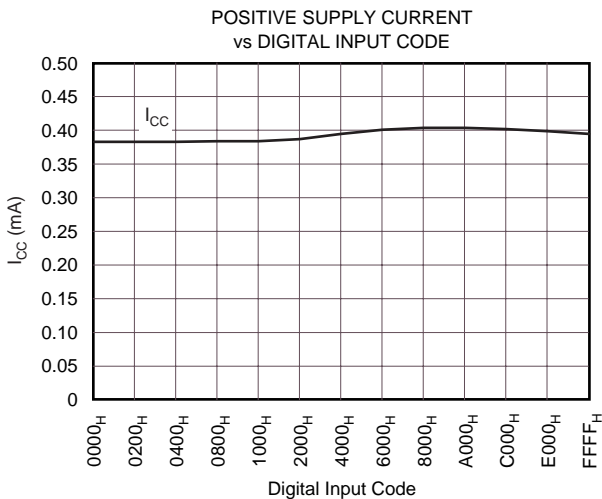
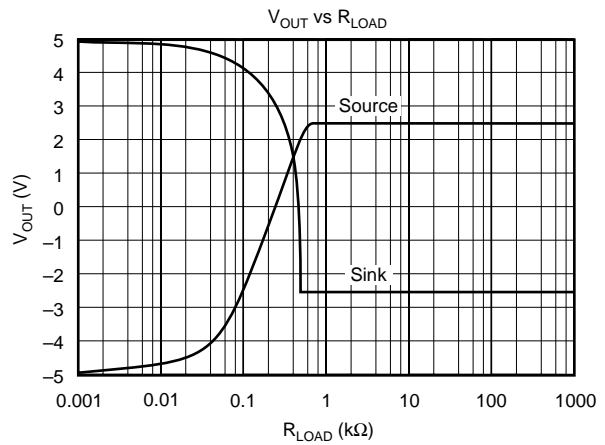
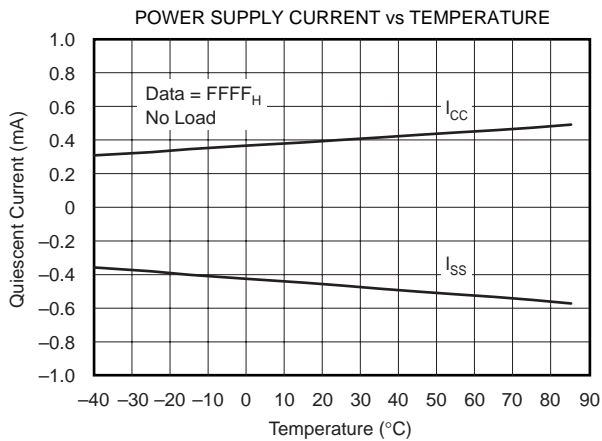
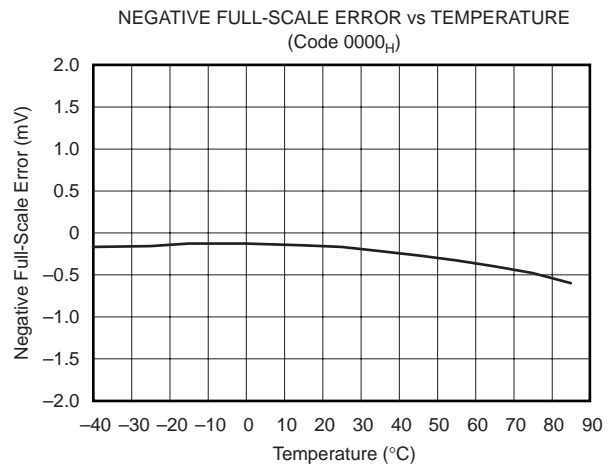
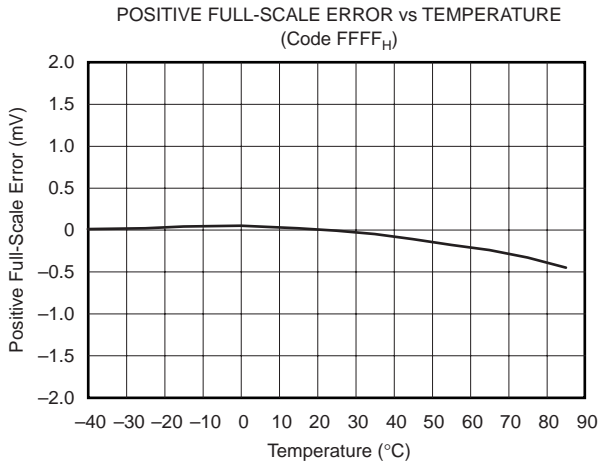


BIPOLAR ZERO-SCALE ERROR vs TEMPERATURE (Code 8000<sub>H</sub>)



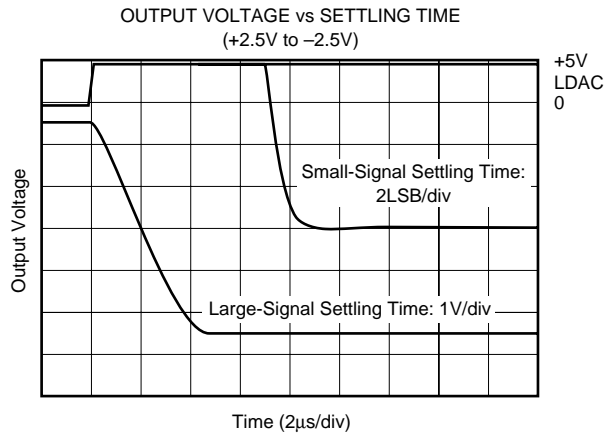
# TYPICAL PERFORMANCE CURVES: $V_{SS} = -5V$ (Cont.)

At  $T_A = +25^\circ C$ ,  $V_{DD} = V_{CC} = +5V$ ,  $V_{SS} = -5V$ ,  $V_{REFH} = +2.5V$ , and  $V_{REFL} = -2.5V$ , representative unit, unless otherwise specified.



# TYPICAL PERFORMANCE CURVES: $V_{SS} = -5V$ (Cont.)

At  $T_A = +25^\circ C$ ,  $V_{DD} = V_{CC} = +5V$ ,  $V_{SS} = -5V$ ,  $V_{REFH} = +2.5V$ , and  $V_{REFL} = -2.5V$ , representative unit, unless otherwise specified.



## THEORY OF OPERATION

The DAC7631 is a 16-bit voltage-output Digital-to-Analog Converter (DAC). The architecture is an R-2R ladder configuration with the three MSB's segmented, followed by an operational amplifier that serves as a buffer, as shown in Figure 1. The minimum voltage output (zero-scale) and maximum voltage output (full-scale) are set by external voltage references at  $V_{REFL}$  and  $V_{REFH}$ , respectively.

The digital input is a 16-bit serial word representing the 16-bit DAC input code, sent MSB first. The DAC7631 can be powered from either a single +5V supply or a dual  $\pm 5V$  supply. The device offers a reset function which immediately sets the output voltage and DAC register to mid-scale code (8000H) or to zero-scale code (0000H). See Figures 2 and 3 for the basic operation of the DAC7631.

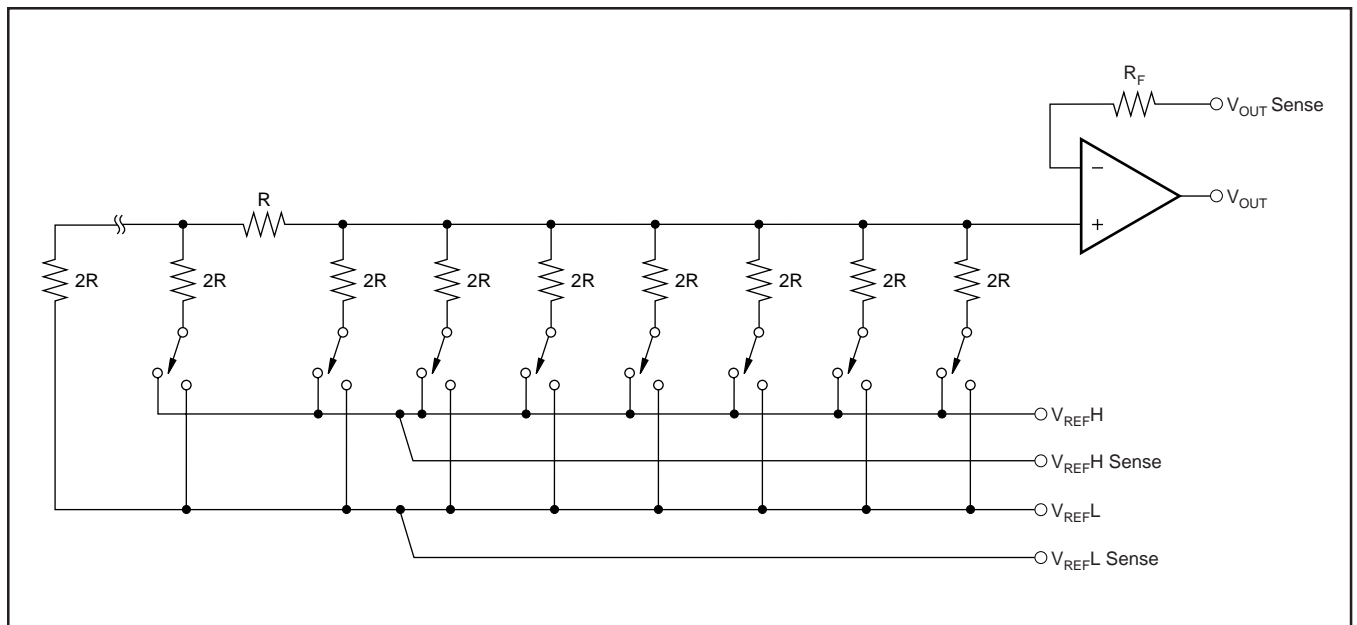


FIGURE 1. DAC7631 Architecture.

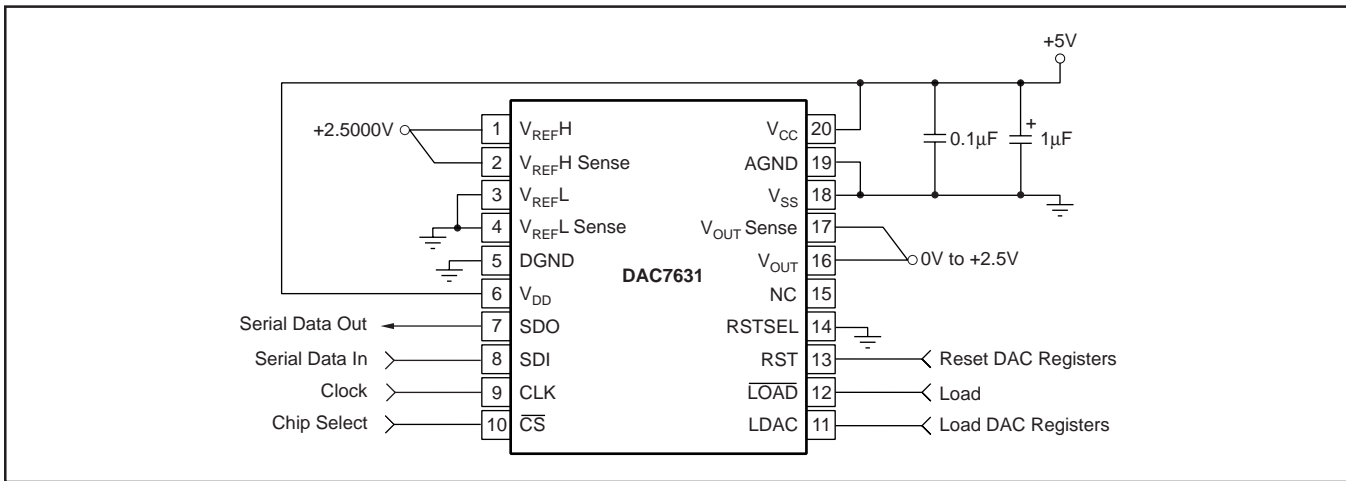


FIGURE 2. Basic Single-Supply Operation.

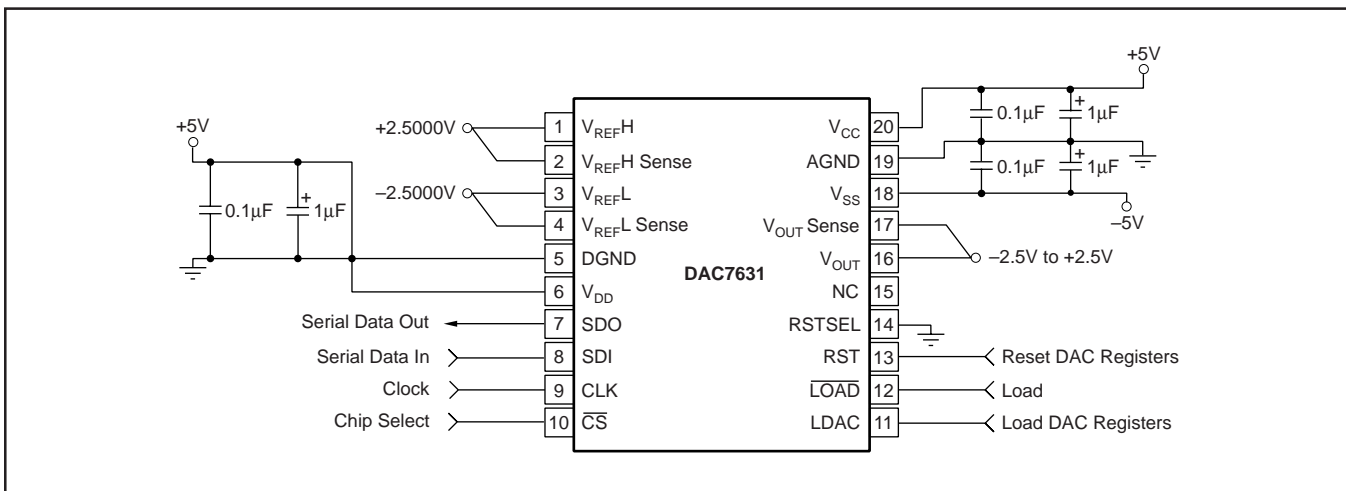


FIGURE 3. Basic Dual-Supply Operation.

## ANALOG OUTPUTS

When  $V_{SS} = -5V$  (dual supply operation), the output amplifier can swing to within 2.25V of the supply rails, guaranteed over the  $-40^{\circ}C$  to  $+85^{\circ}C$  temperature range. When  $V_{SS} = 0V$  (single-supply operation), and with  $R_{LOAD}$  also connected to ground, the output can swing to ground. Care must also be taken when measuring the zero-scale error when  $V_{SS} = 0V$ . Since the output voltage cannot swing below ground, the output voltage may not change for the first few digital input codes (0000<sub>H</sub>, 0001<sub>H</sub>, 0002<sub>H</sub>, etc.) if the output amplifier has a negative offset. At the negative limit of  $-2mV$ , the first specified output starts at code 0040<sub>H</sub>.

Due to the high accuracy of these D/A converters, system design problems such as grounding and contact resistance become very important. A 16-bit converter with a 2.5V full-scale range has a 1LSB value of  $38\mu V$ . With a load current of 1mA, series wiring and connector resistance of only  $40m\Omega$  ( $R_{W2}$ ) will cause a voltage drop of  $40\mu V$ , as shown in Figure 4. To understand what this means in terms of a system layout, the resistivity of a typical 1 ounce copper-clad printed circuit board is  $1/2 m\Omega$  per square. For a 1mA

load, a 10 milli-inch wide printed circuit conductor 600 milli-inches long will result in a voltage drop of  $30\mu V$ .

The DAC7631 offers a force and sense output configuration for the high open-loop gain output amplifier. This feature allows the loop around the output amplifier to be closed at the load (as shown in Figure 4), thus ensuring an accurate output voltage.

## REFERENCE INPUTS

The reference inputs,  $V_{REFL}$  and  $V_{REFH}$ , can be any voltage between  $V_{SS} + 2.5V$  and  $V_{CC} - 2.5V$ , provided that  $V_{REFH}$  is at least 1.25V greater than  $V_{REFL}$ . The minimum output of each DAC is equal to  $V_{REFL}$  plus a small offset voltage (essentially, the offset of the output op amp). The maximum output is equal to  $V_{REFH}$  plus a similar offset voltage. Note that  $V_{SS}$  (the negative power supply) must either be connected to ground or must be in the range of  $-4.75V$  to  $-5.25V$ . The voltage on  $V_{SS}$  sets several bias points within the converter. If  $V_{SS}$  is not in one of these two configurations, the bias values may be in error and proper operation of the device is not guaranteed.



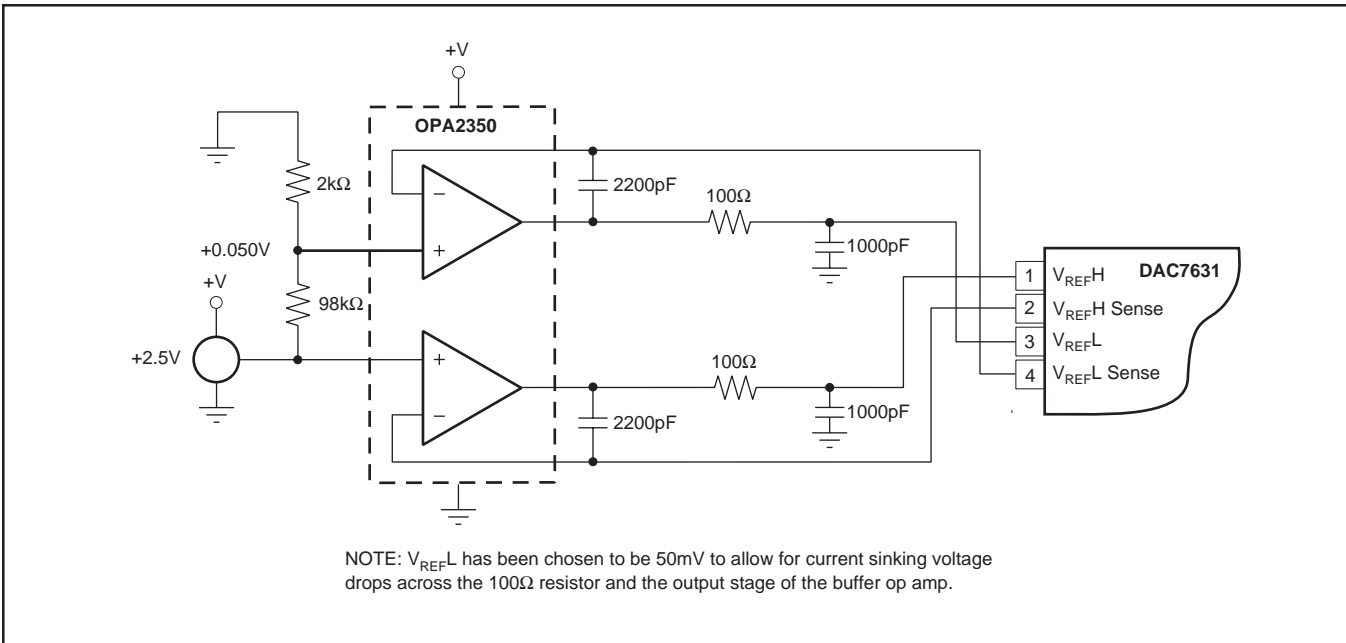


FIGURE 6. Single-supply Buffered Reference,  $V_{REFL} = 50\text{mV}$ .

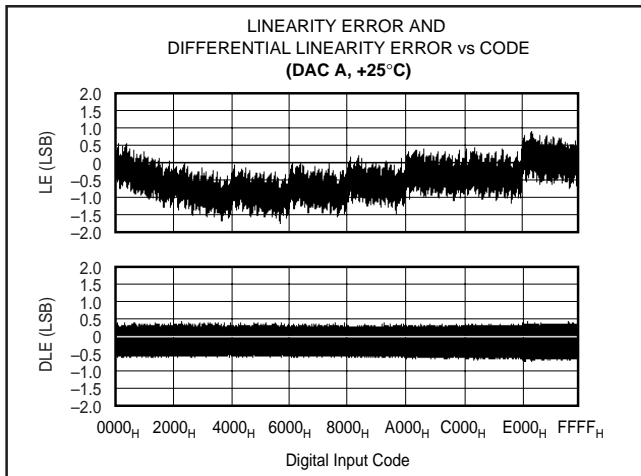


FIGURE 7. Integral Linearity and Differential Linearity Error Curves for Figure 6.

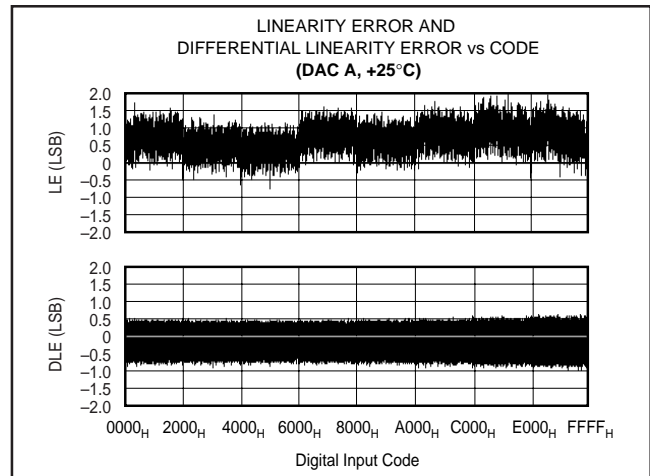


FIGURE 8. Integral Linearity and Differential Linearity Error Curves for Figure 9.

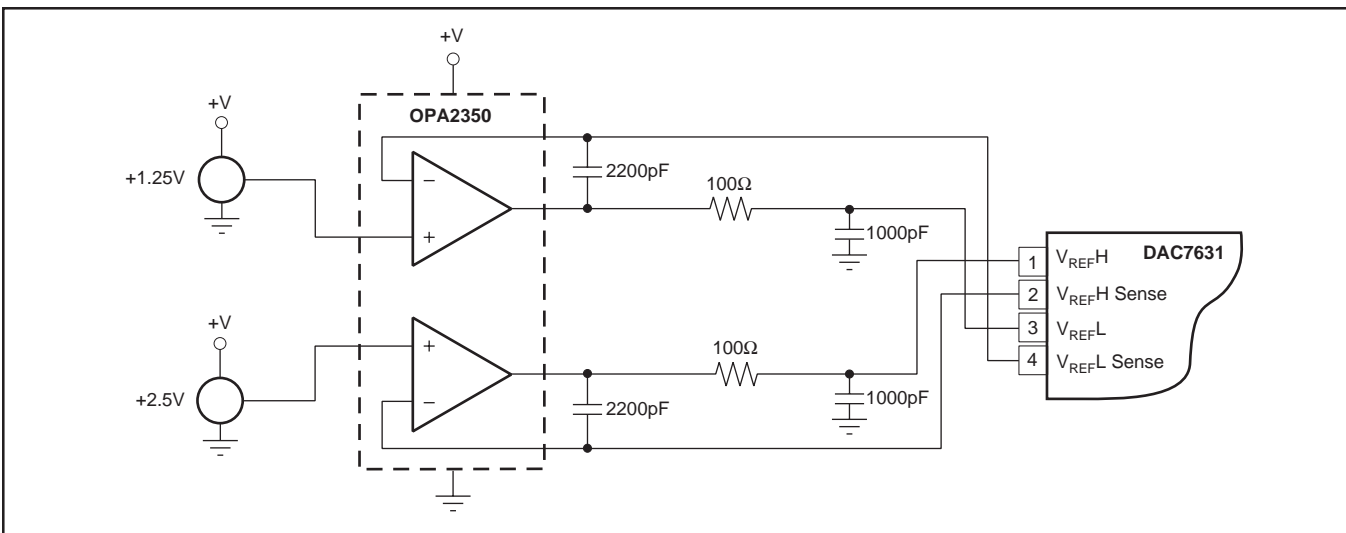


FIGURE 9. Single-supply Buffered Reference,  $V_{REFL} = +1.25\text{V}$ ,  $V_{REFH} = -1.25\text{V}$ .

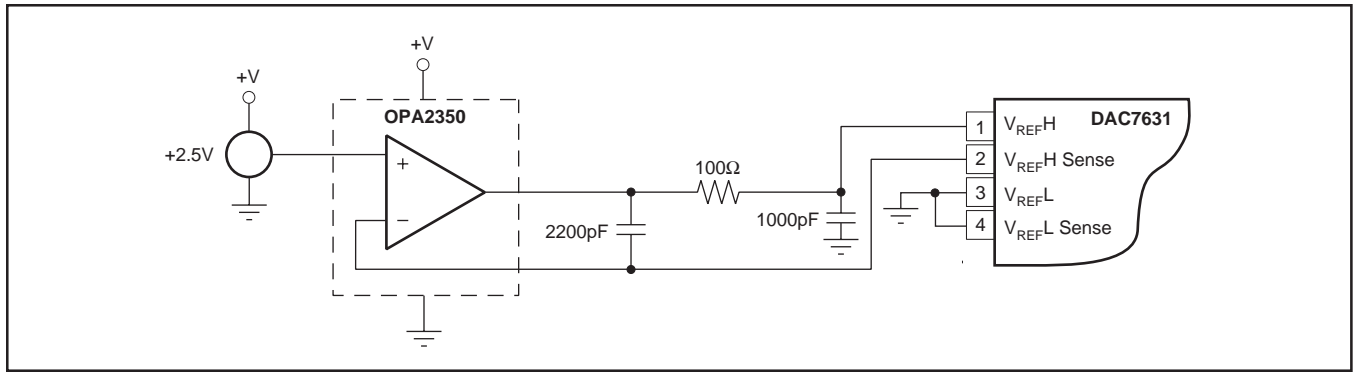


FIGURE 10. Single-supply Buffered  $V_{REFH}$ .

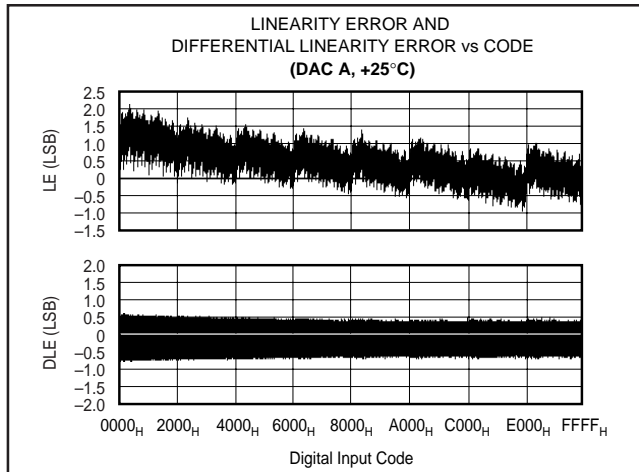


FIGURE 11. Linearity and Differential Error Curves for Figure 10.

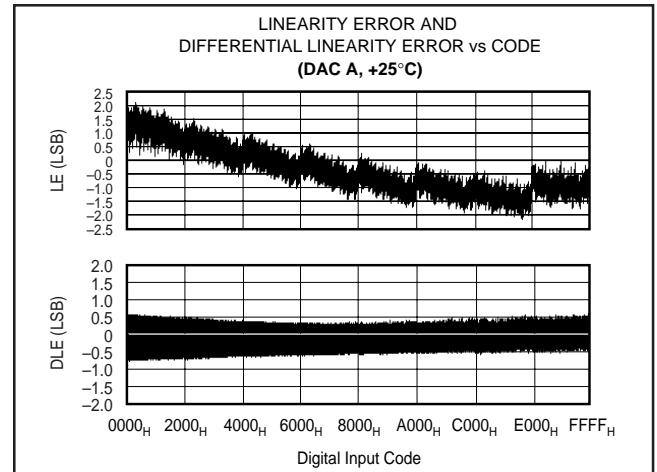


FIGURE 13. Linearity and Differential Error Curves for Figure 12.

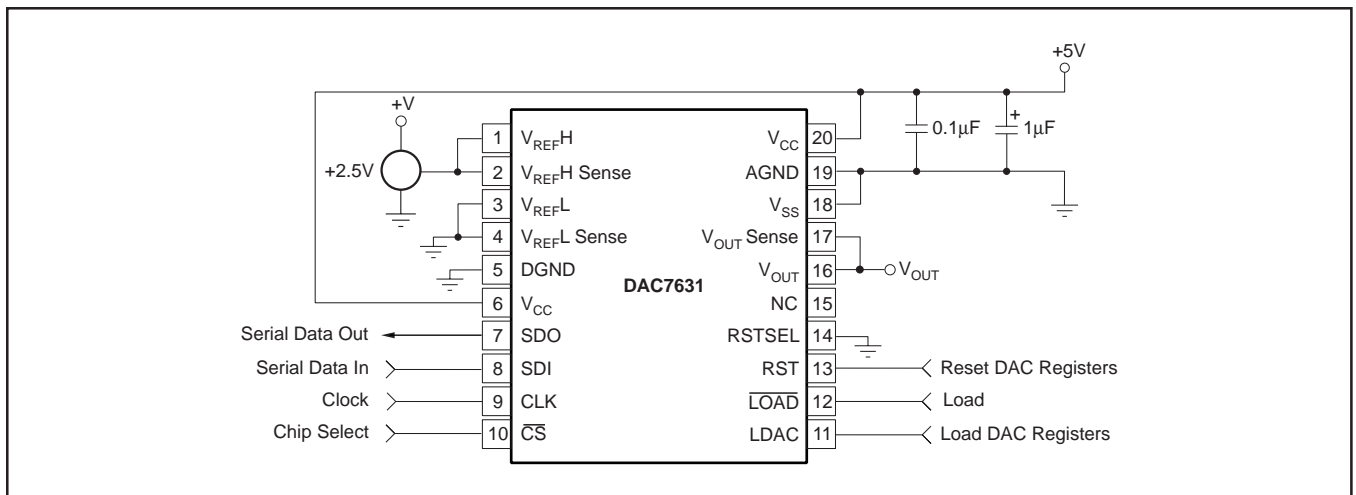


FIGURE 12. Low cost Single-supply Configuration.

Data is shifted into the device through the SDI and CLK pins and arrives in a shift register. Once all 16 bits have been transferred, the  $\overline{\text{LOAD}}$  pin, which is level-sensitive, should be brought low to latch the data into a buffer register called the DAC input register. To latch the new data into the DAC itself, the LDAC pin, which is edge-sensitive, must be brought high. When this is done, the DAC will assume the new value and the output voltage will change (provided that

the new value is different from the old one). Note that settling time is measured from the time that the LDAC pin is brought high, since the device's output does not begin to change until then.

The DAC7631's double-buffering scheme allows the device to be updated through the serial interface without disturbing the voltage on the output pin. It also allows the user to use separate logic for driving the serial input and triggering

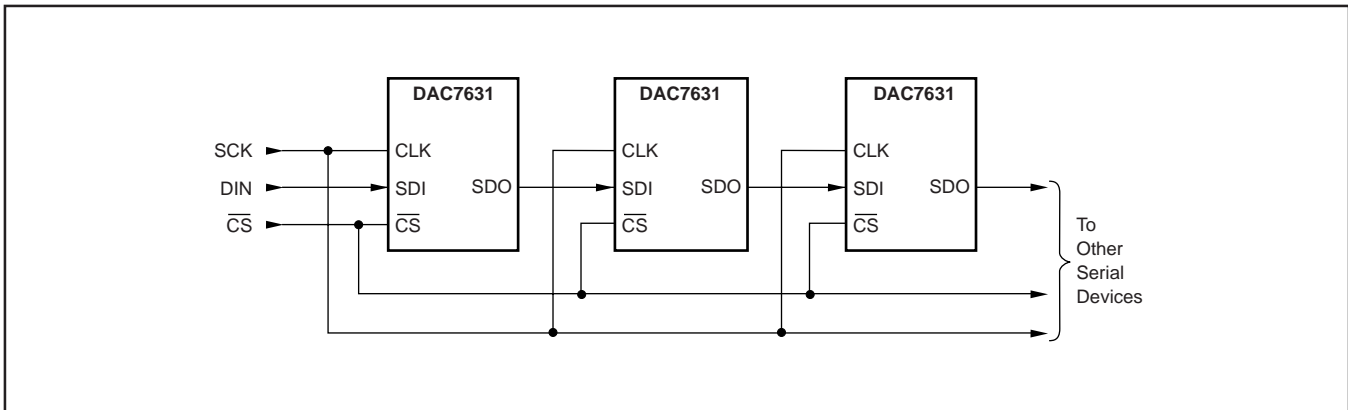


FIGURE 14. Daisy-chaining DAC7631.

DAC updates; i.e., the LDAC pin can be driven with a separate signal, such as a timing clock, which need not be directly related to the serial data timing. This makes it easy to synchronize DAC7631 updates with external events or with other DACs.

Note that  $\overline{CS}$  and CLK are combined with an OR gate, which controls the serial-to-parallel shift register. These two inputs are completely interchangeable. In addition, care must be taken with the state of CLK when  $\overline{CS}$  rises at the end of a serial transfer. If CLK is LOW when  $\overline{CS}$  rises, the OR gate will provide a rising edge to the shift register, shifting the internal data one additional bit. The result will be incorrect data and possible selection of the wrong input register(s). If both  $\overline{CS}$  and CLK are used,  $\overline{CS}$  should rise only when CLK is HIGH. If not, then either  $\overline{CS}$  or CLK can be used to operate the shift register. See Table II for more information.

| $\overline{CS}^{(1)}$ | CLK <sup>(1)</sup> | $\overline{LOAD}$ | RST              | SERIAL SHIFT REGISTER |
|-----------------------|--------------------|-------------------|------------------|-----------------------|
| H <sup>(2)</sup>      | X <sup>(3)</sup>   | H                 | H                | No Change             |
| L <sup>(4)</sup>      | L                  | H                 | H                | No Change             |
| L                     | ↑ <sup>(5)</sup>   | H                 | H                | Advanced One Bit      |
| ↑                     | L                  | H                 | H                | Advanced One Bit      |
| H <sup>(6)</sup>      | X                  | L <sup>(7)</sup>  | H                | No Change             |
| H <sup>(6)</sup>      | X                  | H                 | ↑ <sup>(8)</sup> | No Change             |

NOTES: (1)  $\overline{CS}$  and CLK are interchangeable. (2) H = Logic HIGH. (3) X = Don't Care. (4) L = Logic LOW (5) = Positive Logic Transition. (6) A HIGH value is suggested in order to avoid a "false clock" from advancing the shift register and changing the shift register. (7) If data is clocked into the serial register while  $\overline{LOAD}$  is LOW, the DAC register will change. This will corrupt the data in each DAC register that has been erroneously selected. (8) Rising edge of RST causes no change in the contents of the serial shift register.

TABLE II. Serial Shift Register Truth Table.

## SERIAL-DATA OUTPUT

The Serial-Data Output (SDO) is the internal shift register's output. For DAC7631, the SDO is a driven output and does not require an external pull-up. Any number of DAC7631's can be daisy chained by connecting the SDO pin of one device to the SDI pin of the following device in the chain, as shown in Figure 14.

## DIGITAL TIMING

Figure 15 and Table III provide detailed timing for the digital interface of the DAC7631.

## DIGITAL INPUT CODING

The DAC7631 input data is in Straight Binary format. The output voltage is given by Equation 1:

$$V_{OUT} = V_{REFL} + \frac{(V_{REFH} - V_{REFL}) \cdot N}{65,536} \quad (1)$$

where N is the digital input code. This equation does not include the effects of offset (zero-scale) or gain (full-scale) errors.

## DIGITALLY-PROGRAMMABLE CURRENT SOURCE

The DAC7631 offers a unique set of features that allows a wide range of flexibility in designing applications circuits such as programmable current sources. The DAC7631 offers both a differential reference input, as well as an open-loop configuration around the output amplifier. The open-loop configuration around the output amplifier allows a transistor to be placed within the loop to implement a digitally-programmable, unidirectional current source. The availability of a differential reference allows programmability for both the full-scale and zero-scale currents. The output current is calculated as:

$$I_{OUT} = \left( \left( \frac{V_{REFH} - V_{REFL}}{R_{SENSE}} \right) \cdot \left( \frac{N}{65,536} \right) \right) + (V_{REFL} / R_{SENSE}) \quad (2)$$



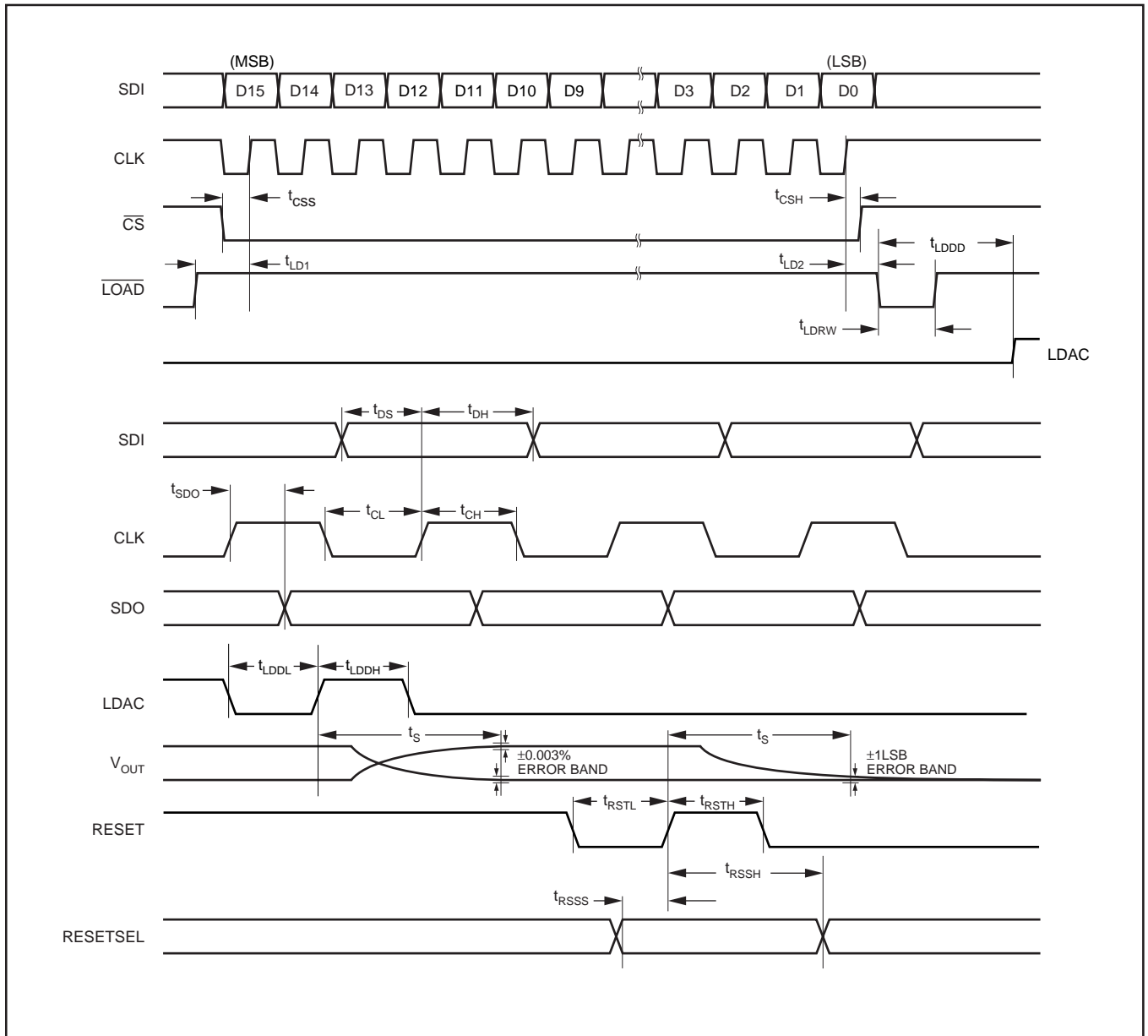


FIGURE 15. Digital Input and Output Timing.

| SYMBOL     | DESCRIPTION                               | MIN | MAX | UNITS   |
|------------|---|-----|-----|---------|
| $t_{DS}$   | Data Valid to CLK Rising                  | 10  |     | ns      |
| $t_{DH}$   | Data Held Valid after CLK Rises           | 20  |     | ns      |
| $t_{CH}$   | CLK HIGH                                  | 25  |     | ns      |
| $t_{CL}$   | CLK LOW                                   | 25  |     | ns      |
| $t_{CSS}$  | $\overline{CS}$ LOW to CLK Rising         | 15  |     | ns      |
| $t_{CSH}$  | CLK HIGH to $\overline{CS}$ Rising        | 0   |     | ns      |
| $t_{LD1}$  | $\overline{LOAD}$ HIGH to CLK Rising      | 10  |     | ns      |
| $t_{LD2}$  | CLK Rising to $\overline{LOAD}$ LOW       | 30  |     | ns      |
| $t_{LDRW}$ | $\overline{LOAD}$ LOW Time                | 30  |     | ns      |
| $t_{LDDL}$ | LDAC LOW Time                             | 100 |     | ns      |
| $t_{LDDH}$ | LDAC HIGH Time                            | 150 |     | ns      |
| $t_{SDO}$  | SDO Propagation Delay                     | 10  | 45  | ns      |
| $t_{RSSS}$ | RESETSEL Valid to RESET HIGH              | 0   |     | ns      |
| $t_{RSSH}$ | RESET HIGH to RESETSEL Not Valid          | 100 |     | ns      |
| $t_{RSTL}$ | RESET LOW Time                            | 10  |     | ns      |
| $t_{RSTH}$ | RESET HIGH Time                           | 10  |     | ns      |
| $t_{LDD}$  | $\overline{LOAD}$ LOW to LDAC Rising Time | 40  |     | ns      |
| $t_s$      | Settling Time                             |     | 10  | $\mu$ s |

TABLE III. Timing Specifications ( $T_A = -40^\circ\text{C}$  to  $+85^\circ\text{C}$ ).

Figure 16 shows a DAC7631 in a 4mA to 20mA current output configuration. The output current can be determined by Equation 3:

$$I_{OUT} = \left( \left( \frac{2.5V - 0.5V}{125\Omega} \right) \cdot \left( \frac{N}{65,536} \right) \right) + \left( \frac{0.5V}{125\Omega} \right) \quad (3)$$

At full-scale, the output current is 16mA, plus the 4mA, for the zero current. At zero scale the output current is the offset current of 4mA (0.5V/125Ω).

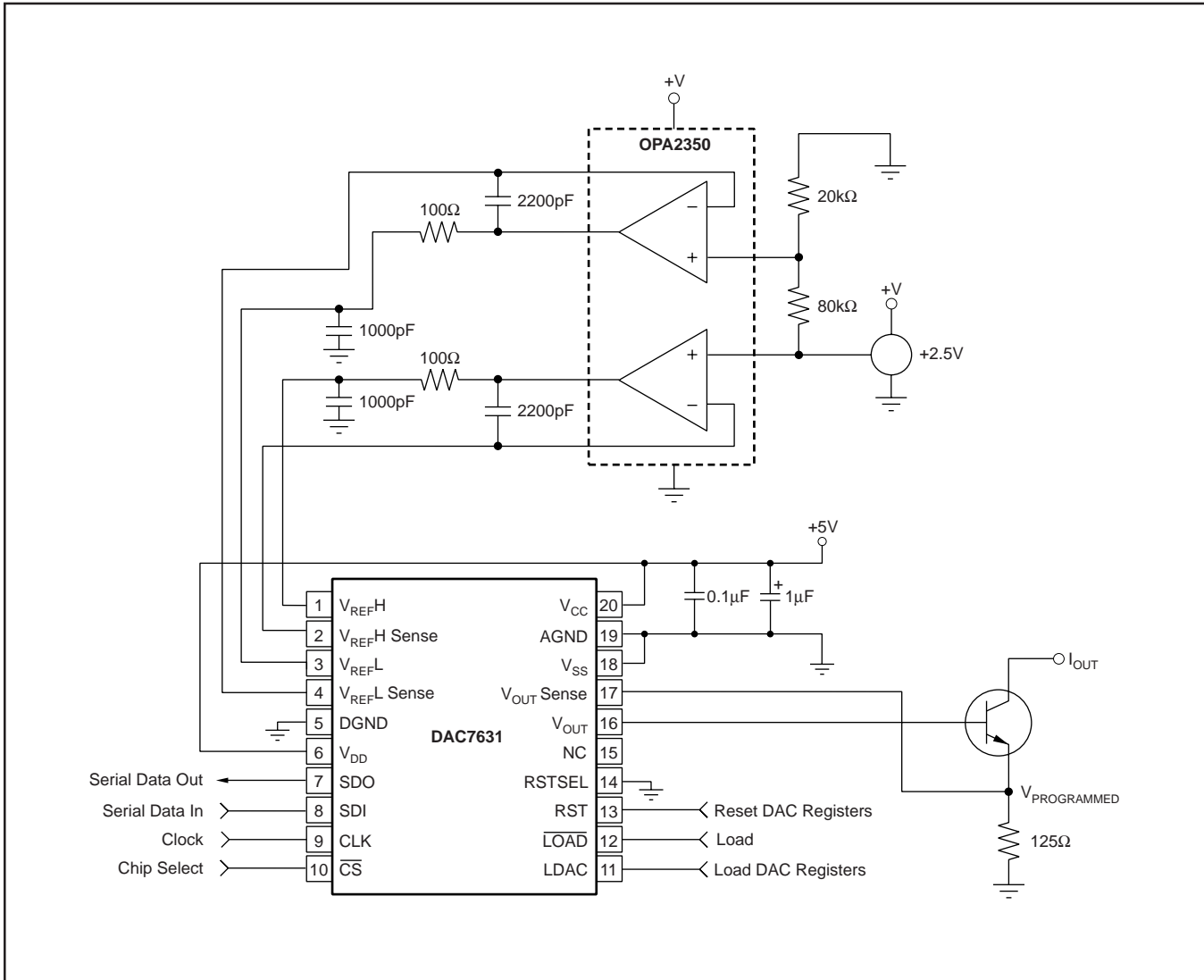


FIGURE 16. 4-to-20mA Digitally Controlled Current Source (1/2 DAC7631).

**PACKAGING INFORMATION**

| Orderable Device | Status <sup>(1)</sup> | Package Type | Package Drawing | Pins | Package Qty | Eco Plan <sup>(2)</sup> | Lead/Ball Finish | MSL Peak Temp <sup>(3)</sup> |
|------------------|-----------------------|--------------|-----------------|------|-------------|-------------------------|------------------|------------------------------|
| DAC7631E         | ACTIVE                | SSOP         | DB              | 20   | 68          | None                    | CU SNPB          | Level-3-220C-168 HR          |
| DAC7631E/1K      | ACTIVE                | SSOP         | DB              | 20   | 1000        | None                    | CU SNPB          | Level-3-220C-168 HR          |
| DAC7631EB        | ACTIVE                | SSOP         | DB              | 20   | 68          | None                    | CU SNPB          | Level-3-220C-168 HR          |
| DAC7631EB/1K     | ACTIVE                | SSOP         | DB              | 20   | 1000        | None                    | CU SNPB          | Level-3-220C-168 HR          |

<sup>(1)</sup> The marketing status values are defined as follows:

**ACTIVE:** Product device recommended for new designs.

**LIFEBUY:** TI has announced that the device will be discontinued, and a lifetime-buy period is in effect.

**NRND:** Not recommended for new designs. Device is in production to support existing customers, but TI does not recommend using this part in a new design.

**PREVIEW:** Device has been announced but is not in production. Samples may or may not be available.

**OBSOLETE:** TI has discontinued the production of the device.

<sup>(2)</sup> Eco Plan - May not be currently available - please check <http://www.ti.com/productcontent> for the latest availability information and additional product content details.

**None:** Not yet available Lead (Pb-Free).

**Pb-Free (RoHS):** TI's terms "Lead-Free" or "Pb-Free" mean semiconductor products that are compatible with the current RoHS requirements for all 6 substances, including the requirement that lead not exceed 0.1% by weight in homogeneous materials. Where designed to be soldered at high temperatures, TI Pb-Free products are suitable for use in specified lead-free processes.

**Green (RoHS & no Sb/Br):** TI defines "Green" to mean "Pb-Free" and in addition, uses package materials that do not contain halogens, including bromine (Br) or antimony (Sb) above 0.1% of total product weight.

<sup>(3)</sup> MSL, Peak Temp. -- The Moisture Sensitivity Level rating according to the JEDEC industry standard classifications, and peak solder temperature.

**Important Information and Disclaimer:**The information provided on this page represents TI's knowledge and belief as of the date that it is provided. TI bases its knowledge and belief on information provided by third parties, and makes no representation or warranty as to the accuracy of such information. Efforts are underway to better integrate information from third parties. TI has taken and continues to take reasonable steps to provide representative and accurate information but may not have conducted destructive testing or chemical analysis on incoming materials and chemicals. TI and TI suppliers consider certain information to be proprietary, and thus CAS numbers and other limited information may not be available for release.

In no event shall TI's liability arising out of such information exceed the total purchase price of the TI part(s) at issue in this document sold by TI to Customer on an annual basis.

## IMPORTANT NOTICE

Texas Instruments Incorporated and its subsidiaries (TI) reserve the right to make corrections, modifications, enhancements, improvements, and other changes to its products and services at any time and to discontinue any product or service without notice. Customers should obtain the latest relevant information before placing orders and should verify that such information is current and complete. All products are sold subject to TI's terms and conditions of sale supplied at the time of order acknowledgment.

TI warrants performance of its hardware products to the specifications applicable at the time of sale in accordance with TI's standard warranty. Testing and other quality control techniques are used to the extent TI deems necessary to support this warranty. Except where mandated by government requirements, testing of all parameters of each product is not necessarily performed.

TI assumes no liability for applications assistance or customer product design. Customers are responsible for their products and applications using TI components. To minimize the risks associated with customer products and applications, customers should provide adequate design and operating safeguards.

TI does not warrant or represent that any license, either express or implied, is granted under any TI patent right, copyright, mask work right, or other TI intellectual property right relating to any combination, machine, or process in which TI products or services are used. Information published by TI regarding third-party products or services does not constitute a license from TI to use such products or services or a warranty or endorsement thereof. Use of such information may require a license from a third party under the patents or other intellectual property of the third party, or a license from TI under the patents or other intellectual property of TI.

Reproduction of information in TI data books or data sheets is permissible only if reproduction is without alteration and is accompanied by all associated warranties, conditions, limitations, and notices. Reproduction of this information with alteration is an unfair and deceptive business practice. TI is not responsible or liable for such altered documentation.

Resale of TI products or services with statements different from or beyond the parameters stated by TI for that product or service voids all express and any implied warranties for the associated TI product or service and is an unfair and deceptive business practice. TI is not responsible or liable for any such statements.

Following are URLs where you can obtain information on other Texas Instruments products and application solutions:

| <b>Products</b>  |  | <b>Applications</b> |  |
|------------------|--|---------------------|--|
| Amplifiers       | <a href="http://amplifier.ti.com">amplifier.ti.com</a>             | Audio               | <a href="http://www.ti.com/audio">www.ti.com/audio</a>                   |
| Data Converters  | <a href="http://dataconverter.ti.com">dataconverter.ti.com</a>     | Automotive          | <a href="http://www.ti.com/automotive">www.ti.com/automotive</a>         |
| DSP              | <a href="http://dsp.ti.com">dsp.ti.com</a>                         | Broadband           | <a href="http://www.ti.com/broadband">www.ti.com/broadband</a>           |
| Interface        | <a href="http://interface.ti.com">interface.ti.com</a>             | Digital Control     | <a href="http://www.ti.com/digitalcontrol">www.ti.com/digitalcontrol</a> |
| Logic            | <a href="http://logic.ti.com">logic.ti.com</a>                     | Military            | <a href="http://www.ti.com/military">www.ti.com/military</a>             |
| Power Mgmt       | <a href="http://power.ti.com">power.ti.com</a>                     | Optical Networking  | <a href="http://www.ti.com/opticalnetwork">www.ti.com/opticalnetwork</a> |
| Microcontrollers | <a href="http://microcontroller.ti.com">microcontroller.ti.com</a> | Security            | <a href="http://www.ti.com/security">www.ti.com/security</a>             |
|                  |  | Telephony           | <a href="http://www.ti.com/telephony">www.ti.com/telephony</a>           |
|                  |  | Video & Imaging     | <a href="http://www.ti.com/video">www.ti.com/video</a>                   |
|                  |  | Wireless            | <a href="http://www.ti.com/wireless">www.ti.com/wireless</a>             |

Mailing Address: Texas Instruments  
Post Office Box 655303 Dallas, Texas 75265

Copyright © 2004, Texas Instruments Incorporated