

# DATA SHEET

## **PCF8833** STN RGB - 132 × 132 × 3 driver

Objective specification

2003 Feb 14

**STN RGB - 132 × 132 × 3 driver****PCF8833**

<b>CONTENTS</b>	10	LIMITING VALUES
1 FEATURES	11	HANDLING
2 GENERAL DESCRIPTION	12	DC CHARACTERISTICS
3 ORDERING INFORMATION	13	AC CHARACTERISTICS
4 BLOCK DIAGRAM	14	APPLICATION INFORMATION
5 PINNING	14.1	Supply and capacitor connection configuration
6 INSTRUCTIONS	15	MODULE MAKER PROGRAMMING
6.1 Exit commands	15.1	V <sub>LCD</sub> calibration
6.2 Function set	15.2	Factory defaults
7 FUNCTIONAL DESCRIPTION	15.3	Seal bit
7.1 MPU interfaces	15.4	OTP architecture
7.2 Display data RAM and access arbiter	15.5	Interface commands
7.3 Command decoder	15.6	Suggestion on how to calibrate V <sub>LCD2</sub> using MMVOP
7.4 Grey scale controller	15.7	Example of filling the shift register
7.5 Timing generator	15.8	Programming flow
7.6 Oscillator	15.9	Programming specification
7.7 Reset	16	INTERNAL PROTECTION CIRCUITS
7.8 LCD voltage generator and bias level generator	17	BONDING PAD INFORMATION
7.9 Column drivers, data processing and data latches	18	TRAY INFORMATION
7.10 Row drivers	19	DATA SHEET STATUS
8 PARALLEL INTERFACE	20	DEFINITIONS
8.1 8080-series 8-bit parallel interface	21	DISCLAIMERS
9 SERIAL INTERFACE		
9.1 Write mode		
9.2 Read mode		

## STN RGB - 132 × 132 × 3 driver

## PCF8833

**1 FEATURES**

- Single chip LCD controller and driver
- 132 rows and 396 column outputs (132 × RGB)
- Low cross talk by Frame Rate Control (FRC)
- 4 kbyte colours (RGB) = 4 : 4 : 4 mode
- 256 colours (RGB) = 3 : 3 : 2 mode using the 209 kbit RAM and a Look-Up Table (LUT)
- 65 kbyte colours (RGB) = 5 : 6 : 5 mode using the 209 kbit RAM with dithering
- 8 colours Power-save mode
- Display data RAM 132 × 132 (RGB) (4 kbyte colour)
- Interfaces:
  - 3-line serial interface
  - 8-bit 8080 Intel CPU interface.
- Display features:
  - Area scrolling
  - 32-line partial Display mode
  - Software programmable colour depth mode
  - N-line inversion for low cross talk.
- On-chip:
  - Oscillator for display system, requires no external components (external clock also possible)
  - Generation of  $V_{LCD}$
  - Segmented temperature compensation of  $V_{LCD}$  and frame frequency.
- Logic supply voltage range  $V_{DD1}$  to  $V_{SS1}$ :
  - 1.5 to 3.3 V.

- Analog supply voltage range for  $V_{LCD}$  generation  $V_{DD2}$  to  $V_{SS2}$ :
  - 2.4 to 4.5 V.
- Analog supply voltage range for reference voltage generation  $V_{DD3}$  to  $V_{SS1}$ :
  - 2.4 to 3.5 V.
- Display supply voltage range  $V_{LCD}$  to  $V_{SS1}$ :
  - 3.8 to 20 V.
- Low power consumption; suitable for battery operated systems
- CMOS compatible inputs
- Manufactured in silicon gate CMOS process
- Optimized layout for COF, Chip On Glass (COG) and Transformer Coupled Plasma (TCP) assembly.

**2 GENERAL DESCRIPTION**

The PCF8833 is a single chip low power CMOS LCD controller driver, designed to drive colour Super-Twisted Nematic (STN) displays of 132 rows and 132 RGB columns. All necessary functions for the display are provided in a single chip, including display RAM which has a capacity of 209 kbit (132 × 12-bit × 132). The PCF8833 uses the Multiple Row Addressing (MRA) driving technique in order to achieve the best optical performance at the lowest power consumption. The PCF8833 offers 2 types of microcontroller interfaces namely the 8080 system interface and the 3-line serial interface.

**3 ORDERING INFORMATION**

TYPE NUMBER	PACKAGE		
	NAME	DESCRIPTION	VERSION
PCF8833U/2DA/1	–	chip with bumps in tray	–

STN RGB - 132 × 132 × 3 driver

PCF8833

4 BLOCK DIAGRAM

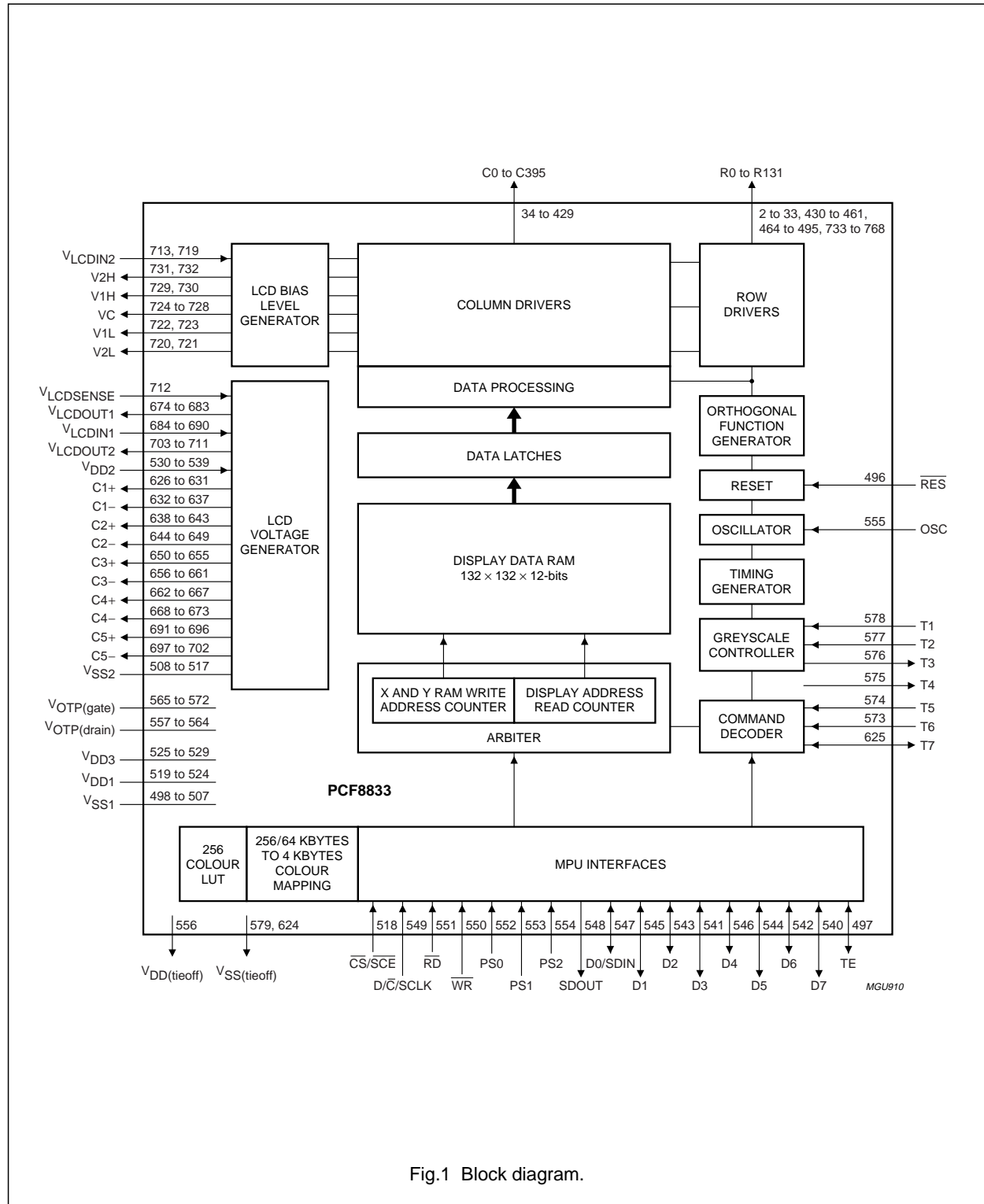


Fig.1 Block diagram.

## STN RGB - 132 × 132 × 3 driver

## PCF8833

## 5 PINNING

SYMBOL	PAD	TYPE	DESCRIPTION
R95 to R64	2 to 33	O	LCD row driver outputs
C0 to C395	34 to 429	O	LCD column driver outputs
R0 to R31	430 to 461	O	LCD row driver outputs
R63 to R32	464 to 495	O	LCD row driver outputs
RES	496	I	external reset; this signal will reset the device and must be applied to properly initialize the chip (active LOW)
TE	497	O/I	tearing line (in Normal mode it is always an output)
V <sub>SS1</sub>	498 to 507	PS	system ground
V <sub>SS2</sub>	508 to 517	PS	system ground
CS/SCE	518	I	chip select parallel interface or serial chip enable (active LOW)
V <sub>DD1</sub>	519 to 524	PS	logic supply voltage
V <sub>DD3</sub>	525 to 529	PS	V <sub>DD2</sub> and V <sub>DD3</sub> are the supply voltage pins for the internal voltage generator including the temperature compensation circuits; V <sub>DD2</sub> and V <sub>DD3</sub> can be connected together but in this case care must be taken to respect the supply voltage range (see Chapter 13); V <sub>DD1</sub> is used as the supply for the rest of the chip. V <sub>DD1</sub> can be connected together with V <sub>DD2</sub> and V <sub>DD3</sub> but in this case care must also be taken to respect the supply voltage range; see Chapter 13. V <sub>DD2</sub> and V <sub>DD3</sub> must not be applied before V <sub>DD1</sub> .  If the internal voltage generator is not used, pins V <sub>DD2</sub> and V <sub>DD3</sub> must be connected to V <sub>DD1</sub> .
V <sub>DD2</sub>	530 to 539	PS	
D7	540	I/O	8-bit parallel data; in Serial mode tie to V <sub>SS1</sub> or V <sub>DD1</sub>
D3	541	I/O	8-bit parallel data; in Serial mode tie to V <sub>SS1</sub> or V <sub>DD1</sub>
D6	542	I/O	8-bit parallel data; in Serial mode tie to V <sub>SS1</sub> or V <sub>DD1</sub>
D2	543	I/O	8-bit parallel data; in Serial mode tie to V <sub>SS1</sub> or V <sub>DD1</sub>
D5	544	I/O	8-bit parallel data; in Serial mode tie to V <sub>SS1</sub> or V <sub>DD1</sub>
D1	545	I/O	8-bit parallel data; in Serial mode tie to V <sub>SS1</sub> or V <sub>DD1</sub>
D4	546	I/O	8-bit parallel data; in Serial mode tie to V <sub>SS1</sub> or V <sub>DD1</sub>
D0/SDIN	547	I/O	8-bit parallel data or serial data input
SDOUT	548	O	serial data output; in Parallel mode tie to V <sub>DD1</sub> , V <sub>SS1</sub> or D0
D/C/SCLK	549	I	data/command indicator parallel interface or serial clock
WR	550	I	write clock parallel interface; in Serial mode tie to V <sub>DD1</sub> (active LOW)
RD	551	I	read clock parallel interface; in Serial mode tie to V <sub>DD1</sub> (active LOW)
PS0	552	I	set serial or parallel interface mode PS1 and PS2 must tied to either V <sub>SS1</sub> or V <sub>DD1</sub>
PS1	553	I	set serial or parallel interface mode PS1 and PS2 must tied to either V <sub>SS1</sub> or V <sub>DD1</sub>
PS2	554	I	set serial or parallel interface mode PS1 and PS2 must tied to either V <sub>SS1</sub> or V <sub>DD1</sub>

## STN RGB - 132 × 132 × 3 driver

## PCF8833

SYMBOL	PAD	TYPE	DESCRIPTION
OSC	555	I	oscillator input or external oscillator resistor connection; when the on-chip oscillator is used this input must be connected to $V_{DD1}$ ; an external clock signal, if used, is connected to this input and the internal oscillator must be switched off with a software command; if the oscillator and external clock are all inhibited by connecting pin OSC to $V_{SS1}$ , the display is not clocked and may be left in a DC state; to avoid this the chip should always be put into Power-down mode before stopping the clock.
$V_{DD}(\text{tieoff})$	556	O	can be used to tie inputs to $V_{DD1}$
$V_{OTP}(\text{drain})$	557 to 564	PS	supply voltage for OTP programming (write voltage), in Application mode must be tied to $V_{SS1}$ or left open-circuit
$V_{OTP}(\text{gate})$	565 to 572	PS	supply voltage for OTP programming, in Application mode must be tied to $V_{SS1}$ or left open-circuit
T6	573	I	test pin; not accessible to user; must be connected to $V_{SS1}$
T5	574	I	test pin; not accessible to user; must be connected to $V_{SS1}$
T4	575	O	test pin; not accessible to user; must be left open-circuit
T3	576	O	test pin; not accessible to user; must be left open-circuit
T2	577	I/O	test pin; not accessible to user; must be also connected to $V_{SS1}$
T1	578	I/O	test pin; not accessible to user; must be also connected to $V_{SS1}$
$V_{SS}(\text{tieoff})$	579	O	can be used to tie inputs to $V_{SS1}$
$V_{SS}(\text{tieoff})$	624	O	can be used to tie inputs to $V_{SS1}$
T7	625	I/O	test pin; not accessible to user; must be connected to $V_{SS1}$
C1+	626 to 631	I	positive input pump capacitor voltage multiplier 1
C1-	632 to 637	I	negative input pump capacitor voltage multiplier 1
C2+	638 to 643	I	positive input pump capacitor voltage multiplier 1
C2-	644 to 649	I	negative input pump capacitor voltage multiplier 1
C3+	650 to 655	I	positive input pump capacitor voltage multiplier 1
C3-	656 to 661	I	negative input pump capacitor voltage multiplier 1
C4+	662 to 667	I	positive input pump capacitor voltage multiplier 1
C4-	668 to 673	I	negative input pump capacitor voltage multiplier 1
$V_{LCDOUT1}$	674 to 683	O	output voltage multiplier 1
$V_{LCDIN1}$	684 to 690	PS	LCD supply input voltage 1
C5+	691 to 696	I	positive input pump capacitor voltage multiplier 2
C5-	697 to 702	I	negative input pump capacitor voltage multiplier 2
$V_{LCDOUT2}$	703 to 711	O	output voltage multiplier 2
$V_{LCDSENSE}$	712	I	voltage multiplier regulation input; must be connected to $V_{LCDOUT2}$
$V_{LCDIN2}$	713 to 719	PS	LCD supply input voltage 2
V2L	720, 721	O	LCD bias level
V1L	722, 723	O	LCD bias level
VC	724 to 728	O	LCD bias level
V1H	729, 730	O	LCD bias level

## STN RGB - 132 × 132 × 3 driver

## PCF8833

SYMBOL	PAD	TYPE	DESCRIPTION
V2H	731, 732	O	LCD bias level
R96 to R131	733 to 768	O	LCD row driver outputs
Dummy	1, 462, 463, 580 to 623, 769		

## 6 INSTRUCTIONS

The PCF8833 communicates with the host using an 8-bit parallel interface or a 3-line serial interface. Processing of instructions and data sent to the interface do not require the display clock. The display clock and interface clock are independent from each other. The display clock is derived from the built-in oscillator.

The PCF8833 has 2 types of accesses; those defining the operating mode of the device (instructions) and those filling the display RAM. Since writing to the RAM occurs more frequently, efficient data transfer is achieved by autoincrementing the RAM address pointers.

There are 3 types of instructions:

1. For defining display configuration
2. For setting X and Y addresses
3. Miscellaneous.

Commands in the range of 00H to AFH not defined in Table 1 and command DDH have the same effect as no operation (NOP).

All commands in range B0H to B9H and DEH to FFH are forbidden.

## STN RGB - 132 × 132 × 3 driver

## PCF8833

Table 1 Command table; note 1

D/C	7	6	5	4	3	2	1	0	DEFAULT	OTP	DESCRIPTION	SECTION
0	0	0	0	0	0	0	0	0	00H	–	no operation (NOP)	6.2.1
0	0	0	0	0	0	0	0	1	01H	–	software reset (SWRESET)	6.2.3
0	0	0	0	0	0	0	1	0	02H	–	booster voltage off (BSTROFF)	6.2.4
0	0	0	0	0	0	0	1	1	03H	–	booster voltage on (BSTRON)	6.2.5
0	0	0	0	0	0	1	0	0	04H	–	read display identification (RDDIDIF)	6.2.6
0	0	0	0	0	1	0	0	1	09H	–	read display status (RDDST)	6.2.7
0	0	0	0	1	0	0	0	0	10H	–	Sleep_IN	6.2.8
0	0	0	0	1	0	0	0	1	11H	–	Sleep_OUT	6.2.9
0	0	0	0	1	0	0	1	0	12H	–	Partial mode on (PTLON)	6.2.10
0	0	0	0	1	0	0	1	1	13H	–	normal Display mode on (NORON)	6.2.11
0	0	0	1	0	0	0	0	0	20H	–	display inversion off (INVOFF)	6.2.12
0	0	0	1	0	0	0	0	1	21H	–	display inversion on (INVON)	6.2.13
0	0	0	1	0	0	0	1	0	22H	–	all pixel off (DALO)	6.2.14
0	0	0	1	0	0	0	1	1	23H	–	all pixel on (DAL)	6.2.15
0	0	0	1	0	0	1	0	1	25H	–	set contrast (SETCON)	6.2.16
1	X	VCON <sub>6</sub>	VCON <sub>5</sub>	VCON <sub>4</sub>	VCON <sub>3</sub>	VCON <sub>2</sub>	VCON <sub>1</sub>	VCON <sub>0</sub>	00H	–	set contrast	6.2.16
0	0	0	1	0	1	0	0	0	28H	–	display off (DISPOFF)	6.2.17
0	0	0	1	0	1	0	0	1	29H	–	display on (DISPON)	6.2.18
0	0	0	1	0	1	0	1	0	2AH	–	column address set (CASET)	6.2.19
1	xs[7]	xs[6]	xs[5]	xs[4]	xs[3]	xs[2]	xs[1]	xs[0]	02H	–	X address start; 0 ≤ xs ≤ 83H	6.2.19
1	xe[7]	xe[6]	xe[5]	xe[4]	xe[3]	xe[2]	xe[1]	xe[0]	81H	–	X address end; xs ≤ xe ≤ 83H	6.2.19
0	0	0	1	0	1	0	1	1	2BH	–	page address set (PASET)	6.2.20
1	ys[7]	ys[6]	ys[5]	ys[4]	ys[3]	ys[2]	ys[1]	ys[0]	02H	–	Y address start; 0 ≤ ys ≤ 83H	6.2.20
1	ye[7]	ye[6]	ye[5]	ye[4]	ye[3]	ye[2]	ye[1]	ye[0]	81H	–	Y address end; ys ≤ ye ≤ 83H	6.2.20
0	0	0	1	0	1	1	0	0	2CH	–	memory write (RAMWR)	6.2.21
1	D7	D6	D5	D4	D3	D2	D1	D0	XXH	–	write data	6.2.21
0	0	0	1	0	1	1	0	1	2DH	–	colour set (RGBSET)	6.2.22
1	X	X	X	X	R3	R2	R1	R0	00H	–	red tone 000	6.2.22
1	6 bytes for 6 red tones									–	6 red tones	6.2.22



## STN RGB - 132 × 132 × 3 driver

PCF8833

D/C	7	6	5	4	3	2	1	0	DEFAULT	OTP	DESCRIPTION	SECTION
1	X	X	X	X	R3	R2	R1	R0	0FH	–	red tone 111	6.2.22
1	X	X	X	X	G3	G2	G1	G0	00H	–	green tone 000	6.2.22
1	6 bytes for 6 green tones									–	6 green tones	6.2.22
1	X	X	X	X	G3	G2	G1	G0	0FH	–	green tone 111	6.2.22
1	X	X	X	X	B3	B2	B1	B0	00H	–	blue tone 00	6.2.22
1	2 bytes for 2 blue tones									–	2 blue tones	6.2.22
1	X	X	X	X	B3	B2	B1	B0	0FH	–	blue tone 11	6.2.22
0	0	0	1	1	0	0	0	0	30H	–	partial area (PTLAR)	6.2.23
1	AA1S7	AA1S6	AA1S5	AA1S4	AA1S3	AA1S2	AA1S1	AA1S0	00H	–	PTLAR active area start address	6.2.23
1	AA1E7	AA1E6	AA1E5	AA1E4	AA1E3	AA1E2	AA1E1	AA1E0	1FH	–	PTLAR active area end address	6.2.23
0	0	0	1	1	0	0	1	1	33H	–	vertical scroll definition (VSCRDEF)	6.2.24
1	TF <sub>7</sub>	TF <sub>6</sub>	TF <sub>5</sub>	TF <sub>4</sub>	TF <sub>3</sub>	TF <sub>2</sub>	TF <sub>1</sub>	TF <sub>0</sub>	00H	–	top fixed area	6.2.24
1	SA <sub>7</sub>	SA <sub>6</sub>	SA <sub>5</sub>	SA <sub>4</sub>	SA <sub>3</sub>	SA <sub>2</sub>	SA <sub>1</sub>	SA <sub>0</sub>	82H	–	scroll area	6.2.24
1	BF <sub>7</sub>	BF <sub>6</sub>	BF <sub>5</sub>	BF <sub>4</sub>	BF <sub>3</sub>	BF <sub>2</sub>	BF <sub>1</sub>	BF <sub>0</sub>	00H	–	bottom fixed area	6.2.24
0	0	0	1	1	0	1	0	0	34H	–	tearing line off (TEOFF)	6.2.25
0	0	0	1	1	0	1	0	1	35H	–	tearing line on (TEON)	6.2.26
1	X	X	X	X	X	X	X	X	00H	–		6.2.26
0	0	0	1	1	0	1	1	0	36H	–	memory data access control (MADCTL)	6.2.27
1	MY	MX	V	LAO	RGB	X	X	X	00H	–	RAM data addressing/data control	6.2.27
0	0	0	1	1	0	1	1	1	37H	–	set Scroll Entry Point (SEP)	6.2.24
1	SEP7	SEP6	SEP5	SEP4	SEP3	SEP2	SEP1	SEP0	00H	–	scroll entry point	6.2.24
0	0	0	1	1	1	0	0	0	38H	–	Idle mode off (IDMOFF)	6.2.28
0	0	0	1	1	1	0	0	1	39H	–	Idle mode on (IDMON)	6.2.29
0	0	0	1	1	1	0	1	0	3AH	–	interface pixel format (COLMOD)	6.2.30
1	X	X	X	X	X	P2	P1	P0	03H	–	colour interface format	6.2.30
0	1	0	1	1	0	0	0	0	B0H	x <sup>(2)</sup>	set V <sub>OP</sub> (SETVOP)	6.2.31
1	X	X	X	X	VPR <sub>8</sub>	VPR <sub>7</sub>	VPR <sub>6</sub>	VPR <sub>5</sub>	08H	x	V <sub>OP</sub>	6.2.31
1	X	X	X	VPR <sub>4</sub>	VPR <sub>3</sub>	VPR <sub>2</sub>	VPR <sub>1</sub>	VPR <sub>0</sub>	01H	x	V <sub>OP</sub>	6.2.31
0	1	0	1	1	0	1	0	BRS	B4H	x	Bottom Row Swap (BRS)	6.2.32

## STN RGB - 132 × 132 × 3 driver

## PCF8833

D/C	7	6	5	4	3	2	1	0	DEFAULT	OTP	DESCRIPTION	SECTION
0	1	0	1	1	0	1	1	TRS	B6H	x	Top Row Swap (TRS)	6.2.33
0	1	0	1	1	1	0	0	FINV	B9H	–	super Frame INVersion (FINV)	6.2.34
0	1	0	1	1	1	0	1	DOR	BAH	–	Data ORder (DOR)	6.2.35
0	1	0	1	1	1	1	0	TCDFE	BDH	–	enable/disable DF temp comp (TCDFE)	6.2.36
0	1	0	1	1	1	1	1	TCVOPE	BFH	–	enable or disable V <sub>OP</sub> temp comp (TCVOPE)	6.2.37
0	1	1	0	0	0	0	0	EC	C0H	–	Internal or external oscillator (EC)	6.2.38
0	1	1	0	0	0	0	1	0	C2H	x	set multiplication factor (SETMUL)	6.2.39
1	X	X	X	X	X	X	S1	S0	03H	x	multiplication factor	6.2.39
0	1	1	0	0	0	0	1	1	C3H	x	set TC <sub>VOP</sub> slopes A and B (TC <sub>VOPAB</sub> )	6.2.40
1	X	SLB <sub>2</sub>	SLB <sub>1</sub>	SLB <sub>0</sub>	X	SLA <sub>2</sub>	SLA <sub>1</sub>	SLA <sub>0</sub>	34H	x		6.2.40
0	1	1	0	0	0	1	0	0	C4H	x	set TC <sub>VOP</sub> slopes C and D (TC <sub>VOPCD</sub> )	6.2.40
1	X	SLD <sub>2</sub>	SLD <sub>1</sub>	SLD <sub>0</sub>	X	SLC <sub>2</sub>	SLC <sub>1</sub>	SLC <sub>0</sub>	75H	x		6.2.40
0	1	1	0	0	0	1	0	1	C5H	x	set divider frequency (TCDF)	6.2.41
1	X	DFA <sub>6</sub>	DFA <sub>5</sub>	DFA <sub>4</sub>	DFA <sub>3</sub>	DFA <sub>2</sub>	DFA <sub>1</sub>	DFA <sub>0</sub>	56H	x	set divider factor in region A	6.2.41
1	X	DFB <sub>6</sub>	DFB <sub>5</sub>	DFB <sub>4</sub>	DFB <sub>3</sub>	DFB <sub>2</sub>	DFB <sub>1</sub>	DFB <sub>0</sub>	35H	x	set divider factor in region B	6.2.41
1	X	DFC <sub>6</sub>	DFC <sub>5</sub>	DFC <sub>4</sub>	DFC <sub>3</sub>	DFC <sub>2</sub>	DFC <sub>1</sub>	DFC <sub>0</sub>	30H	x	set divider factor in region C	6.2.41
1	X	DFD <sub>6</sub>	DFD <sub>5</sub>	DFD <sub>4</sub>	DFD <sub>3</sub>	DFD <sub>2</sub>	DFD <sub>1</sub>	DFD <sub>0</sub>	25H	x	set divider factor in region D	6.2.41
0	1	1	0	0	0	1	1	0	C6H	x	set divider frequency 8-colour mode (DF8colour)	6.2.42
1	X	DF8 <sub>6</sub>	DF8 <sub>5</sub>	DF8 <sub>4</sub>	DF8 <sub>3</sub>	DF8 <sub>2</sub>	DF8 <sub>1</sub>	DF8 <sub>0</sub>	35H	x	set divider factor in 8-colour mode	6.2.42
0	1	1	0	0	0	1	1	1	C7H	x	set bias system (SETBS)	6.2.43
1	X	X	X	X	VB <sub>3</sub>	VB <sub>2</sub>	VB <sub>1</sub>	VB <sub>0</sub>	0BH	x	bias systems	6.2.43
0	1	1	0	0	1	0	0	0	C8H	–	temperature read back (RDTEMP)	6.2.44
0	1	1	0	0	1	0	0	1	C9H	–	N-Line Inversion (NLI)	6.2.45
1	NLI <sub>7</sub>	NLI <sub>6</sub>	NLI <sub>5</sub>	NLI <sub>4</sub>	NLI <sub>3</sub>	NLI <sub>2</sub>	NLI <sub>1</sub>	NLI <sub>0</sub>	13H	x	after NLI time slots inversion	6.2.45
0	1	1	0	1	1	0	1	0	DAH	x	read ID1 (RDID1)	6.2.46

## STN RGB - 132 × 132 × 3 driver

PCF8833

D/C	7	6	5	4	3	2	1	0	DEFAULT	OTP	DESCRIPTION	SECTION
0	1	1	0	1	1	0	1	1	DBH	x	read ID2 (RDID2)	6.2.46
0	1	1	0	1	1	1	0	0	DCH	x	read ID3 (RDID3)	6.2.46
0	1	1	1	0	1	1	1	SFD	EFH	x	select factory defaults <sup>(3)</sup>	6.2.47
0	1	1	1	1	0	0	0	0	F0H	–	enter Calibration mode	15.5
1	X	X	ORA <sub>2</sub>	ORA <sub>1</sub>	ORA <sub>0</sub>	X	OPE	CALMM	00H	–	set calibration control settings	15.5
0	1	1	1	1	0	0	0	1	F1H	–	shift data in OTP shift registers (OTPSHTIN)	15.5
1	OS7	OS6	OS5	OS4	OS3	OS2	OS1	OS0	XX	–	multiple data byte; any number of bytes allowed	15.5

**Notes**

1. X = don't care.
2. This function can be set by OTP.
3. If the OTP bit Enable Factory Defaults (EFD) has been programmed to logic 1 (default value is logic 0), then the Set Factory Defaults (SFD) instruction is ignored and the device will always use the OTP default data.

## STN RGB - 132 × 132 × 3 driver

## PCF8833

## 6.1 Exit commands

Table 2 Command description

INPUT COMMAND	PARAMETERS	CONDITIONS	EXIT COMMAND
Sleep_IN (SLPIN)	Power-down mode: display off display voltage generation off	power-down has priority over display and booster settings, but the setting is kept	Sleep_OUT
Sleep_OUT (SLPOUT)	exit power-down: display → DISPON/DISPOFF display voltage generation → BSTRON/BSTROFF (refresh from OTP cells if CALMM = 0)	after reset; BSTRON and DISPON is set, but become active only with Sleep_OUT	Sleep_IN reset
BSTROFF	display voltage generation off	display is switched on or off by DISPON/DISPOFF	BSTRON reset
BSTRON	display voltage generation on	display is switched on or off by DISPON/DISPOFF	BSTROFF
DISPOFF	display off	rows and columns are tied to V <sub>SS1</sub>	DISPON reset
DISPON	display on		DISPOFF
NORON	Normal mode on	full display is driven by RAM data	PTLON SEP
PTLON	Partial mode on	partial display area is driven by RAM data; display area outside partial area is off	NORON SEP reset
SEP	Scroll mode on		NORON PTLON reset
PIXON (DAL)	in full Display mode (NORON) all pixels are on; in partial Display mode only partial area pixels are driven on; pixels outside partial area are off	command INVON is not effective when DAL is active	PIXOFF (DALO) NORON PTLON SEP reset
PIXOFF (DALO)	all pixel off	command INVON is not effective when DALO is active	PIXON (DAL) NORON PTLON SEP reset
IDMOFF	Idle mode off	full colour resolution stored in the RAM is written to the display	IDMON
IDMON	Idle mode on	8-colour mode became active: The MSB of data stored in RAM is evaluated only	IDMOFF reset
INVOFF	inverted display off		INVON
INVON	inverted display on	in Partial mode only pixels of partial area are inverted; INVON is not effective; when DAL or DALO are active	INVOFF reset
TEOFF	tearing pulse disabled		TEON
TEON	tearing pulse enabled		TEOFF reset

## STN RGB - 132 × 132 × 3 driver

## PCF8833

**6.2 Function set****6.2.1 NO OPERATION**

No operation (NOP) has no effect on internal data or settings. However, it can be used to terminate data transfer (read and write).

**Table 3** No operation command bits

D/C	7	6	5	4	3	2	1	0	DEFAULT
0	0	0	0	0	0	0	0	0	00H

**6.2.2 RESET**

The PCF8833 has a hardware and a software reset. After power-up a hardware reset (pin RES) must be applied; see Fig.50. The hardware and software resets give the same results. After a reset, the chip has the following state:

- All LCD outputs are set to  $V_{SS}$  (display off)
- RAM data unchanged
- Power-down mode (Sleep\_IN)
- Command register set to default states; see Table 4
- Interface pins are set to inputs.

After a reset, care must be taken with respect to the reset timing constraints (see Fig.50) when the PCF8833 is powered-up. The power-up must be done by sending the Sleep\_OUT command.

After a power-up the display RAM content is undefined. Neither a hardware reset nor a software reset changes the data that is stored in the display RAM. Sending display data must stop 160 ns before issuing a hardware reset, otherwise the last word written to the display RAM may be corrupted. The row and column outputs are tied to  $V_{SS1}$  with a reset because power-down (Sleep\_IN) is in the reset state.

**Table 4** Reset state after hardware and software reset

COMMAND	DESCRIPTION	RESET STATE
Sleep_IN	PCF8833 is in Sleep_IN mode (booster and display are switched off)	–
INVOFF	display inversion is off	–
BSTRON	when Sleep_OUT is active; booster is switched on	–
DISPON	when Sleep_OUT is active; display is turned on	–
TEOFF	tearing effect line pulse is turned off	–
IDMOFF	Idle mode is turned off (4 kbyte colour mode, not 8-colour mode)	–
NORON	Normal mode is active, not Scroll or Partial mode	–
V	RAM write in X direction	0
MY	no mirror Y	0
RGB	colour order is RGB	0
MX	no mirror X	0
LAO	line address order (top to bottom)	0
BRS	bottom rows are not mirrored; note 1	0
TRS	top rows are not mirrored; note 1	0
FINV	super frame inversion is on	1
DOR	normal data order	0
TCDFE	DF temperature compensation switched on	1
TCVOPE	VOP temperature compensation switched on	1
EC	internal oscillator	0

## STN RGB - 132 × 132 × 3 driver

## PCF8833

COMMAND	DESCRIPTION	RESET STATE
xs[7:0]	x address start	2DEC
xe[7:0]	x address end	129DEC
ys[7:0]	y address start	2DEC
ye[7:0]	y address end	129DEC
RGBSET	256 to 4 kbyte colour LUT	see Section 6.2.22
AA1S[7:0]	partial area start address	0DEC
AA1E[7:0]	partial area end address	31DEC
TF[7:0]	top fixed area	0DEC
SA[7:0]	scroll area	130DEC
BF[7:0]	bottom fixed area	0DEC
SEP[7:0]	scroll entry point	0DEC
P[2:0]	interface pixel format is 12-bit/pixel	011
VPR[8:0]	programming of $V_{LCD2}$ voltage; note 1	257DEC
S[1:0]	charge pump multiplication factor; note 1	11
SLA[2:0]	select slope for segment A; note 1	100
SLB[2:0]	select slope for segment B; note 1	011
SLC[2:0]	select slope for segment C; note 1	101
SLD[2:0]	select slope for segment D; note 1	111
DFA[6:0]	frame frequency for segment A is 80 Hz; note 1	56DEC
DFB[6:0]	frame frequency for segment B is 130 Hz; note 1	35DEC
DFC[6:0]	frame frequency for segment C is 150 Hz; note 1	30DEC
DFD[6:0]	frame frequency for segment D is 180 Hz; note 1	25DEC
DF8[6:0]	frame frequency for 8-colour mode is 130 Hz; note 1	35DEC
VB[3:0]	bias system is $F/G_{max} = 2.5$ ; note 1	1011
NLI[7:0]	inversion is after 19 time slots (76 rows in Full mode); note 1	19DEC
VCON[6:0]	no contrast setting is set (twos complement number); note 1	0DEC
SFD	OTP programmed data is used; note 1	1
CALMM	not in Calibration mode	0
OPE	disable OTP programming voltage; note 2	0
ORA[2:0]	OTP row address selection	000

**Notes**

1. These values can be set by the module maker. If the factory defaults OTP bit EFD have been set, the value cannot be changed via the interface. Otherwise, the OTP data will be used if SFD is set to logic 1, which is the reset state.
2. Calibration mode may not be entered if the SEAL bit has been set. Programming is only possible when in Calibration mode.

## STN RGB - 132 × 132 × 3 driver

## PCF8833

## 6.2.3 SOFTWARE RESET

The software reset (SWRESET) has exactly the same effect as the hardware reset; see Section 6.2.2.

After sending SWRESET any command can be sent immediately without any additional delay in between, for instance: Sleep\_OUT, BSTRON and DISPON, etc.

**Table 5** Software reset register bits

D/C	7	6	5	4	3	2	1	0	DEFAULT
0	0	0	0	0	0	0	0	1	01H

## 6.2.4 BOOSTER VOLTAGE OFF

The DC-to-DC converters are turned off and pins V<sub>LCDOUT1</sub> and V<sub>LCDOUT2</sub> become 3-state.

In order to avoid any optical effect on the display, the sequence given in Fig.2 must be used before the internal display supply generation circuits are turned off.

The external LCD supply input voltages (V<sub>LCDIN1</sub> and V<sub>LCDIN2</sub>) can be applied while the display voltage generation (BSTROFF) is off. When BSTROFF, DISPON and Sleep\_OUT are set, the external LCD supply input voltages (V<sub>LCDIN1</sub> and V<sub>LCDIN2</sub>) must be applied, otherwise the display outputs will be undefined.

Command Sleep\_IN does not effect the setting of BSTRON/BSTROFF or DISPON/DISPOFF, but switches off the DC-to-DC converter (booster) and ties the display outputs to V<sub>SS1</sub>.

For the effect of possible combinations of commands Sleep\_IN/Sleep\_OUT and BSTRON/BSTROFF; see Table 17 and Fig.4. Figure 7 shows the effects of the combination of commands BSTRON and BSTROFF with DISPON and DISPOFF.

**Table 6** Booster voltage off register bits

D/C	7	6	5	4	3	2	1	0	DEFAULT
0	0	0	0	0	0	0	1	0	02H

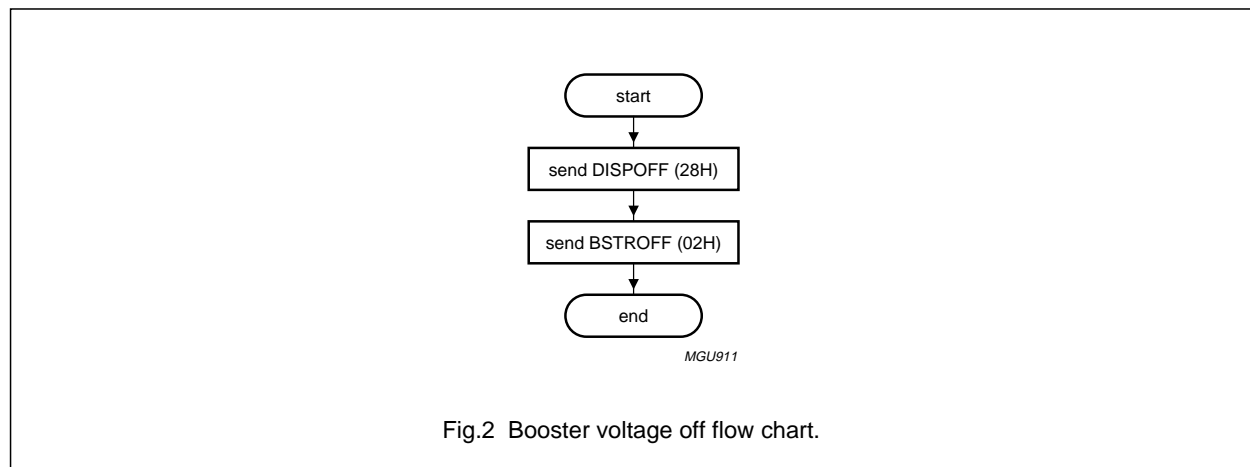


Fig.2 Booster voltage off flow chart.

## STN RGB - 132 × 132 × 3 driver

## PCF8833

## 6.2.5 BOOSTER VOLTAGE ON

The LCD supply generation circuits will be switched on when the Booster voltage on (BSTRON) command is sent. The BSTRON command has a direct effect only when the PCF8833 is not in Power-down mode (Sleep\_OUT is not active).

With a reset DISPON (see Section 6.2.18) and BSTRON are set, the PCF8833 will start-up with Sleep\_OUT (see Section 6.2.7) following the built-in start-up sequence which generates the requested voltages and switches on the display, unless DISPOFF and/or BSTROFF was sent. When the LCD supply generation circuits are switched on, it is necessary to wait for a certain time before the power circuits become stable and the display can be switched on. Because this time is dependent on the required  $V_{LCD}$  voltage, the external components used, the applied supply voltage and some other parameters, the PCF8833 monitors the LCD supply generation circuit internally and will only switch-on the display when the LCD supply generation circuits are stable.

The status of the LCD supply generation circuits can be monitored with the read display status (RDDST) command; see Section 6.2.7.

Figure 3 shows two sequences for using the BSTRON command, assuming BSTROFF and DISPOFF were set before sending Sleep\_OUT. In sequence A the command to switch the display on (DISPON) is sent to the PCF8833 before the BSTRON command is sent. Therefore the display will only be switched on when the LCD supply generation circuit generates a stable  $V_{LCD}$ . In sequence B the RDDST command is used to monitor the LCD supply generation circuit and, after the D31 bit of the RDDST is set to logic 1, the DISPON command will be sent; see Section 6.2.7.

For the effect of possible combinations of commands Sleep\_IN/Sleep\_OUT and BSTRON/BSTROFF; see Table 17 and Fig.4. Figure 7 shows the effects of the combination of commands BSTRON and BSTROFF with DISPON and DISPOFF.

**Table 7** Booster voltage on register bits

D/C	7	6	5	4	3	2	1	0	DEFAULT
0	0	0	0	0	0	0	1	1	03H

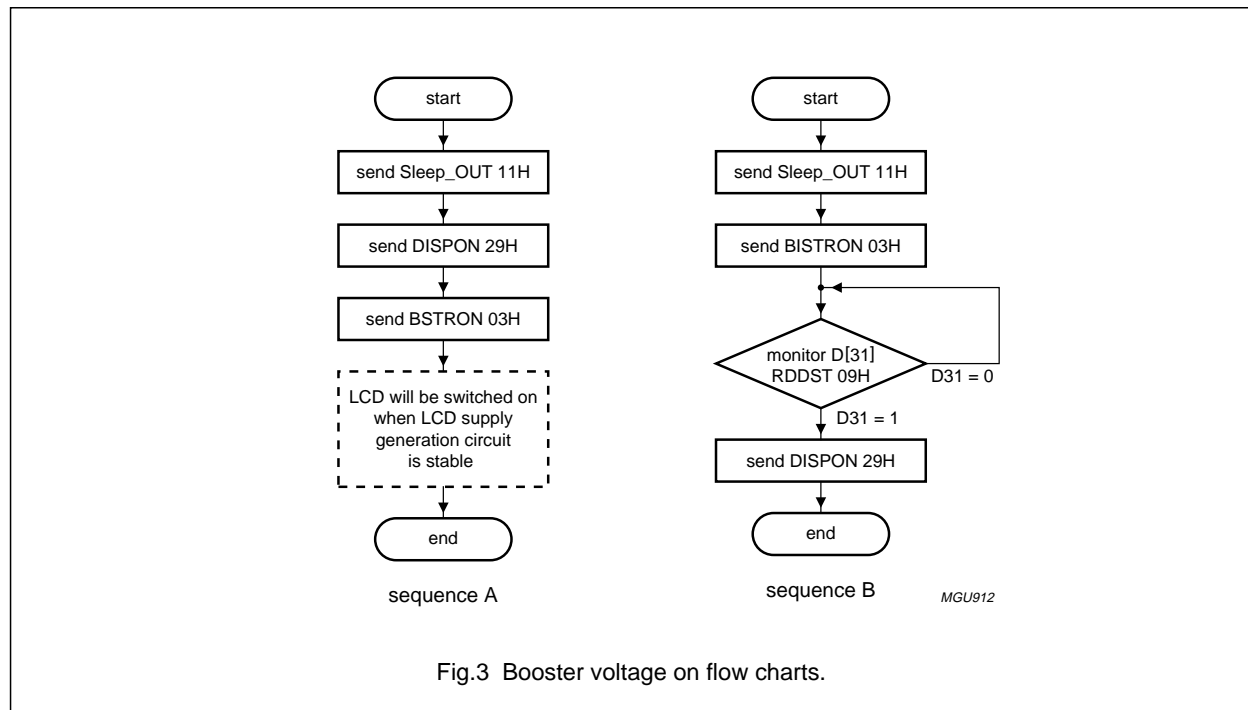


Fig.3 Booster voltage on flow charts.



## STN RGB - 132 × 132 × 3 driver

## PCF8833

## 6.2.6 READ DISPLAY IDENTIFICATION INFORMATION

The Read Display Identification Information (RDDIDIF) command returns a 24-bit display identification information. The identification information is valid only 5 ms after applying a hardware reset. Therefore the RDDIDIF command should not be sent earlier than 5 ms after a hardware reset.

The input and output data format is given in Table 9. After the command byte 04H is sent, the read starts with one dummy clock cycle followed by the 3 status bytes (see Fig.47).

When less than 25 read clock cycles are sent in Serial mode, the identification information read must be interrupted by a hardware reset or rising edge of  $\overline{SCE}$ .

The definition of the display identification bits is given in Table 11.

**Table 8** Read display identification information register bits

D/C	7	6	5	4	3	2	1	0	DEFAULT
0	0	0	0	0	0	1	0	0	04H

**Table 9** RDDIDIF data format for Serial mode

BIT	D/C	7	6	5	4	3	2	1	0	DEFAULT
(S)DIN	0	0	0	0	0	0	1	0	0	04H
(S)DOUT	–	X (only one dummy clock cycle, not a full byte)								X
(S)DOUT	–	D23	D22	D21	D20	D19	D18	D17	D16	45H
	–	D15	D14	D13	D12	D11	D10	D9	D8	XX
	–	D7	D6	D5	D4	D3	D2	D1	D0	XX

**Table 10** RDDIDIF data format for Parallel mode

D/C	7	6	5	4	3	2	1	0	DEFAULT
0	0	0	0	0	0	1	0	0	04H
1	X	X	X	X	X	X	X	X	XX
1	D23	D22	D21	D20	D19	D18	D17	D16	45H
1	D15	D14	D13	D12	D11	D10	D9	D8	XX
1	D7	D6	D5	D4	D3	D2	D1	D0	XX

**Table 11** Description of the display identification bits

BIT	BIT DESCRIPTION	RD BYTE	REMARK
D[23:16]	manufacturer ID	RDID1	hard wired = 45H
D15	driver/module ID (STN B/W = 0 and STN Colour = 1)	RDID2	OTP programmed; see Chapter 15
D[14:8]	driver/module version ID		
D[7:0]	driver/module code	RDID3 <sup>(1)</sup>	OTP programmed; see Chapter 15

**Note**

- RDID3 will be programmed in OTP cells. This ID can be set to 03H by the module maker.

## STN RGB - 132 × 132 × 3 driver

## PCF8833

## 6.2.7 READ DISPLAY STATUS

The Read Display Status (RDDST) command returns a 32-bit display status information and can be accessed when the PCF8833 is in normal Display mode (see Section 6.2.11), in partial Display mode (see Section 6.2.23) or in Sleep\_IN mode; see Section 6.2.8.

The input and output data format is as follows: After the command byte 09H is sent, the read starts with one dummy clock cycle followed by the 4 status bytes (see Fig.48).

When less than 33 read clock cycles are sent in Serial mode the status read must be interrupted by a hardware reset or a rising edge of SCE.

The definition of the display status bits is given in Table 11.

**Table 12** Read display status register bits

D/C	7	6	5	4	3	2	1	0	DEFAULT
0	0	0	0	0	1	0	0	1	09H

**Table 13** RDDST data format for Serial mode

BIT	D/C	7	6	5	4	3	2	1	0	DEFAULT
(S)DIN	0	0	0	0	0	1	0	0	1	09H
(S)DOUT	–	X (only one dummy clock cycle, not a full byte)								XX
(S)DOUT	–	D31	D30	D29	D28	D27	D26	0	0	XX
	–	0	D22	D21	D20	D19	D18	D17	D16	XX
	–	D15	0	D13	D12	D11	D10	D9	0	XX
	–	0	0	0	0	0	0	0	0	XX

**Table 14** RDDST data format for Parallel mode

D/C	7	6	5	4	3	2	1	0	DEFAULT
0	0	0	0	0	1	0	0	1	09H
1	X	X	X	X	X	X	X	X	XX
1	D31	D30	D29	D28	D27	D26	0	0	XX
1	0	D22	D21	D20	D19	D18	D17	D16	XX
1	D15	0	D13	D12	D11	D10	D9	0	XX
1	0	0	0	0	0	0	0	0	XX

## STN RGB - 132 × 132 × 3 driver

## PCF8833

**Table 15** Display identification bits description

BIT	BIT DESCRIPTION	STATUS
D31	booster voltage status	logic 1 when BSTRON is selected and when the LCD supply generation circuits are ready
		logic 0 when BSTROFF is selected or when the LCD supply generation circuits are not ready
D30	Y address order	logic 1 when MY = 1
		logic 0 when MY = 0
D29	X address order	logic 1 when MX = 1
		logic 0 when MX = 0
D28	vertical/horizontal addressing mode	logic 1 when V = 1
		logic 0 when V = 0
D27	line address order	logic 1 when LAO = 1
		logic 0 when LAO = 0
D26	RGB/BGR order	logic 1 when RGB = 1
		logic 0 when RGB = 0
D[25:23]	no function, but can be read	D[25:23] = 000
D[22:20]	interface pixel format	see Section 6.2.30
		P2 = D22; P1 = D21 and P0 = D20
D19	Idle mode	logic 1 when IDMON is selected
		logic 0 when IDMOFF is selected
D18	Partial mode	logic 1 when PTLON is selected
		logic 0 otherwise
D17	Sleep_IN/OUT	logic 1 when Sleep_OUT is selected
		logic 0 when Sleep_IN is selected
D16	normal Display mode	logic 1 when NORON is selected
		logic 0 otherwise
D15	vertical Scroll mode	logic 1 when SEP is selected
		logic 0 otherwise
D14	no function; but can be read	D14 = 0
D13	display inversion	logic 1 when INVON is selected
		logic 0 when INVOFF is selected
D12	all pixels on	logic 1 when DAL is selected
		logic 0 otherwise
D11	all pixels off	logic 1 when DALO is selected
		logic 0 otherwise
D10	display on/off	logic 1 when DISPON is selected
		logic 0 when DISPOFF is selected
D9	tearing effect line on/off	logic 1 when TEON is selected
		logic 0 when TEOFF is selected
D[8:0]	no function; but can be read	D[8:0] = 0:0000:0000

## STN RGB - 132 × 132 × 3 driver

## PCF8833

## 6.2.8 SLEEP\_IN

By sending the Sleep\_IN command, the PCF8833 immediately enters the Power-down mode, also referred to as the Sleep mode. In the Sleep mode the output voltages of all LCD driver pins (rows and columns) are at  $V_{SS1}$  (ground, all pixels are in off state), and the LCD supply generation circuit and the oscillator are switched off. The Sleep\_IN command does not change the state of the DISPON/DISPOFF and BSTRON/BSTROFF commands, but has the same effect as DISPOFF and BSTROFF; see Table 17.

While in Sleep\_IN mode all commands and data can be sent and will be executed as in the Sleep\_OUT state, except some OTP related commands and temperature readout related commands. In the Sleep\_IN mode no effect on the display can be seen.

The Sleep\_IN mode is exited by command Sleep\_OUT; see Section 6.2.9.

Table 16 Sleep\_IN register bits

D/C	7	6	5	4	3	2	1	0	DEFAULT
0	0	0	0	1	0	0	0	0	10H

Table 17 Sleep\_IN/OUT and BSTER\_ON/OFF combination

BSTER_ON/BSTER_OFF	Sleep_IN/Sleep_OUT	Booster <sup>(1)</sup>
ON	ON	ON
ON	OFF	OFF
OFF	ON	OFF
OFF	OFF	OFF

**Note**

1. Booster is the built-in DC-to-DC converter also called voltage multiplier or charge pump.

## 6.2.9 SLEEP\_OUT

This command must be sent to allow the PCF8833 to power-up (see Fig.4).

DISPON and BSTRON are set with a reset, the PCF8833 will start-up with Sleep\_OUT following the built-in start-up sequence which generates the requested voltages and switches on the display, unless DISPOFF and/or BSTROFF was sent after the last reset.

For the effects of possible combinations of commands Sleep\_IN/Sleep\_OUT and BSTRON/BSTROFF; see Table 17.

Figure 4 illustrates the flow when sending the Sleep\_OUT command. The display is only switched on, when the internally generated voltage  $V_{LCD2}$  is high enough.

This time is self adapting and therefore dependent on application conditions:

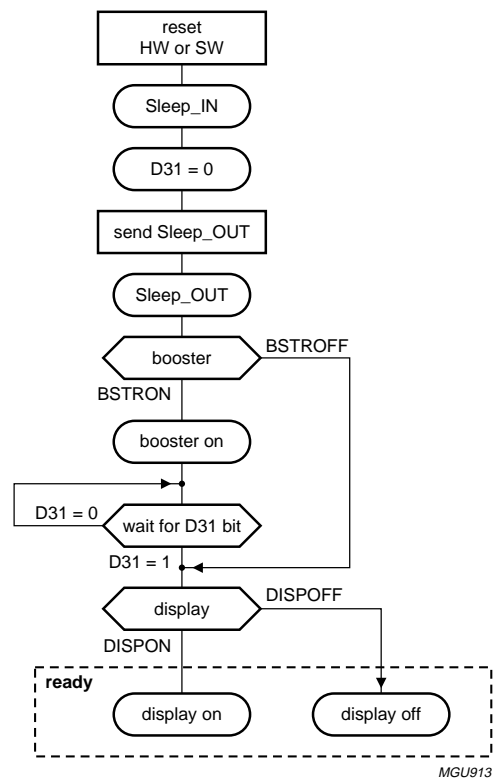
- It is longer for:
  - Low  $V_{DD2}$
  - Higher resistors in supply wires and/or external capacitors
  - Higher external capacitors
  - Higher required  $V_{LCD2}$  voltage.
- Some other conditions, which may affect start-up time are:
  - Partial/full mode
  - Selected bias system
  - Temperature
  - Selected temperature coefficients.

## STN RGB - 132 × 132 × 3 driver

## PCF8833

**Table 18** Sleep\_OUT register bits

D/C	7	6	5	4	3	2	1	0	DEFAULT
0	0	0	0	1	0	0	0	1	11H



D31 is the booster voltage status bit; see Section 6.2.7.

Fig.4 Start-up, when leaving Power-down mode (i.e. after sending Sleep\_OUT).

STN RGB - 132 × 132 × 3 driver

PCF8833

6.2.10 PARTIAL MODE ON

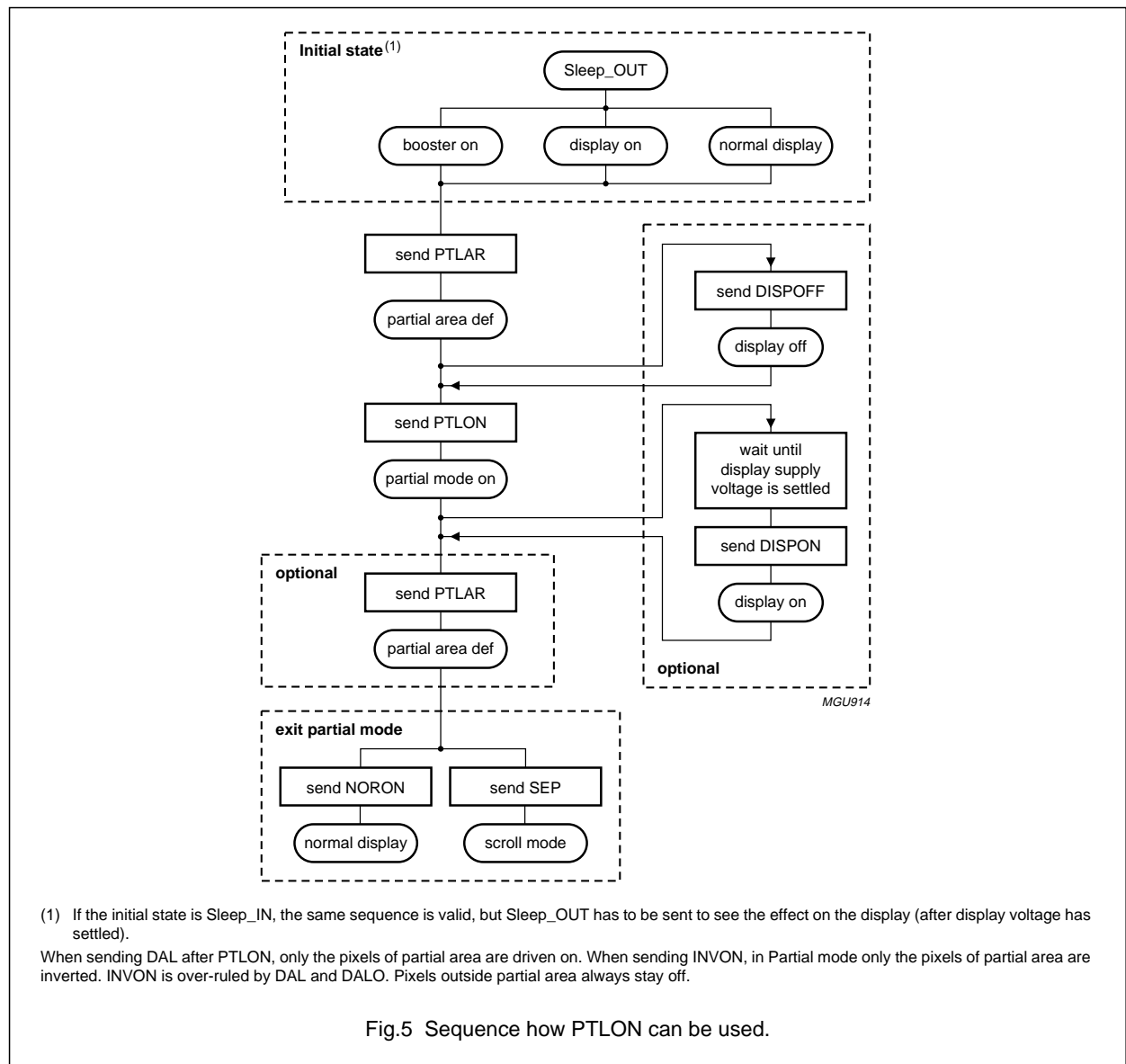
Partial mode on (PTLON) turns on the partial Display mode. Only one partial display size can be chosen. Normal mode, Scroll mode, DALO and DAL are exited with this command. When sending DAL after PTLON, only the pixels of partial area are driven on.

A normal Display mode command is used to exit the Partial mode. How the partial display area can be programmed is given in Section 6.2.23.

A sequence showing how the command PTLON can be used is illustrated in Fig.5.

Table 19 Partial mode on register bits

D/C	7	6	5	4	3	2	1	0	DEFAULT
0	0	0	0	1	0	0	1	0	12H



(1) If the initial state is Sleep\_IN, the same sequence is valid, but Sleep\_OUT has to be sent to see the effect on the display (after display voltage has settled).

When sending DAL after PTLON, only the pixels of partial area are driven on. When sending INVON, in Partial mode only the pixels of partial area are inverted. INVON is over-ruled by DAL and DALO. Pixels outside partial area always stay off.

Fig.5 Sequence how PTLON can be used.

## STN RGB - 132 × 132 × 3 driver

## PCF8833

## 6.2.11 NORMAL DISPLAY MODE ON

The normal Display mode on command (NORON) turns the display into Normal mode which is also the reset state.

An explanation of how the command NORON can be used is illustrated in Fig.6.

**Table 20** Normal Display mode on register bits

D/C	D7	D6	D5	D4	D3	D2	D1	D0	DEFAULT
0	0	0	0	1	0	0	1	1	13H

## 6.2.12 DISPLAY INVERSION OFF

The Display inversion off command (INVOFF) turns the display into a non-inverted screen without modifying the display data RAM. Display inversion off is the reset state of the PCF8833.

**Table 21** Display inversion off register bits

D/C	7	6	5	4	3	2	1	0	DEFAULT
0	0	0	1	0	0	0	0	0	20H

## 6.2.13 DISPLAY INVERSION ON

The Display inversion on command (INVON) turns the display into an inverted screen without modifying the display data RAM. The RAM data is read out and inverted while writing to the display.

The display Inversion mode can be switched off by sending the INVOFF command; see Section 6.2.12.

When sending INVON, in Partial mode only, the pixels of a partial area are inverted. INVON is overruled by DAL and DALO. In Partial mode the pixels outside of the partial are always off.

**Table 22** Display inversion on register bits

D/C	7	6	5	4	3	2	1	0	DEFAULT
0	0	0	1	0	0	0	0	1	21H

## 6.2.14 ALL PIXELS OFF

The All pixels off command (DALO) can be switched off by sending the normal display on command (NORON) (see Section 6.2.11) or by sending the partial Display mode on command (PTLON); see Section 6.2.10. Furthermore DALO is left with the command DAL; see Section 6.2.15. When DALO is active all pixels are driven, as if the display RAM was filled with all zeros (off-state). DALO does not change the data stored in the display RAM. Figure 6 illustrates how DAL (all pixels on) and DALO (all pixels off) can be used.

All pixels will be switched off regardless of the display data RAM.

**Table 23** All pixels off register bits

D/C	7	6	5	4	3	2	1	0	DEFAULT
0	0	0	1	0	0	0	1	0	22H

STN RGB - 132 × 132 × 3 driver

PCF8833

6.2.15 ALL PIXELS ON

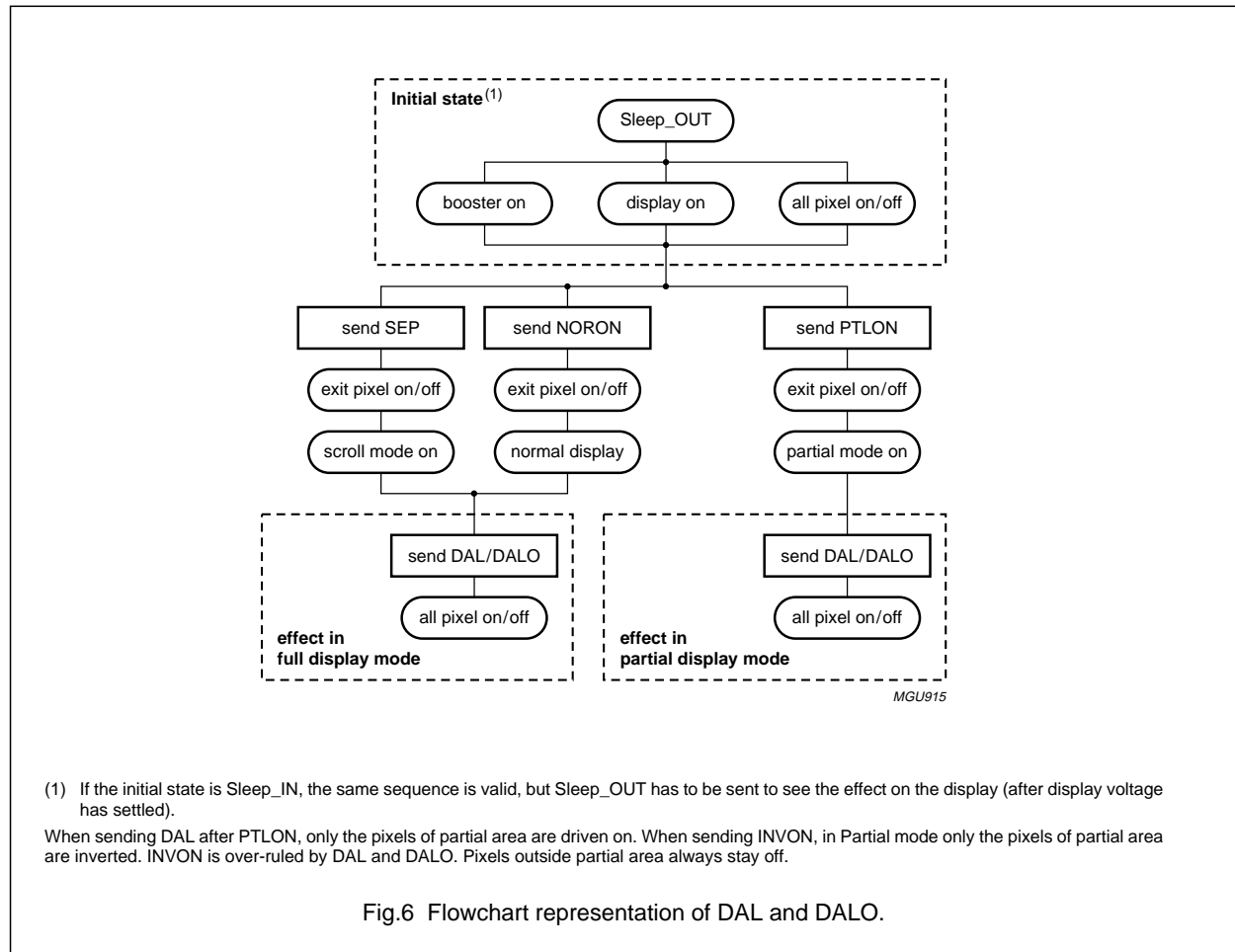
The All pixels on command (DAL) can be switched off by sending the normal display on command (NORON); (see Section 6.2.11) or by sending the partial Display mode on command (PTLON); see Section 6.2.10. Furthermore DAL is left with the command DALO; see Section 6.2.14. When DAL is active all pixels are driven, as if the display RAM was filled with all ones (on-state). DAL does not change the data stored in the display RAM.

When sending DAL after PTLON, only the pixels of the partial area are driven on. When sending INVON in Partial mode only the pixels of the partial area are inverted. INVON is over-ruled by DAL and DALO. Pixels outside the partial are always off. Figure 6 illustrates how DAL (all pixels on) and DALO (all pixels off) can be used.

All pixels will be switched on regardless of the display data RAM.

Table 24 All pixels on register bits

D/C	7	6	5	4	3	2	1	0	DEFAULT
0	0	0	1	0	0	0	1	1	23H





## STN RGB - 132 × 132 × 3 driver

## PCF8833

## 6.2.16 SET CONTRAST

Using the Set contrast command (SETCON) the  $V_{LCD}$  voltage and the contrast of the LCD can be adjusted. The influence of the VCON[6:0] register on the  $V_{LCD}$  programming is explained in Section 6.2.31. The VCON[6:0] is a two's complement number; see Table 26. An overview over the complete programming range of  $V_{LCD}$  can be found in Section 15.1.

**Table 25** Set contrast register bits

D/C	7	6	5	4	3	2	1	0	DEFAULT
0	0	0	1	0	0	1	0	1	25H
1	X	VCON <sub>6</sub>	VCON <sub>5</sub>	VCON <sub>4</sub>	VCON <sub>3</sub>	VCON <sub>2</sub>	VCON <sub>1</sub>	VCON <sub>0</sub>	00H

**Table 26** Possible VCON values

VCON[6:0]	DECIMAL EQUIVALENT	$V_{LCD}$ OFFSET
0111111	63	2520 mV
0111110	62	2480 mV
0111101	61	2440 mV
:	:	:
0000010	2	80 mV
0000001	1	40 mV
0000000	0	0 mV
1111111	-1	-40 mV
1111110	-2	-80 mV
:	:	:
1000010	-62	-2480 mV
1000001	-63	-2520 mV
1000000	-64	-2560 mV

## 6.2.17 DISPLAY OFF

The Display off command (DISPOFF) connects all rows and columns to  $V_{SS1}$ , i.e. all the pixels have a voltage of 0 V. Since the reset state of the PCF8833 is Sleep\_IN (see Section 6.2.8) the display will be in the off state after a reset.

The DISPOFF command can be switched off by sending the Display on command (DISPON); see Section 6.2.18. Figure 7 shows the effects of the combination of commands BSTRON and BSTROFF with DISPON and DISPOFF.

**Table 27** Display off register bits

D/C	7	6	5	4	3	2	1	0	DEFAULT
0	0	0	1	0	1	0	0	0	28H

## 6.2.18 DISPLAY ON

Using the Display on command (DISPON) the rows and columns are driven according to the current display data RAM content and according to the display timing and settings.

The DISPON command is used to exit the DISPOFF state; see Section 6.2.17.

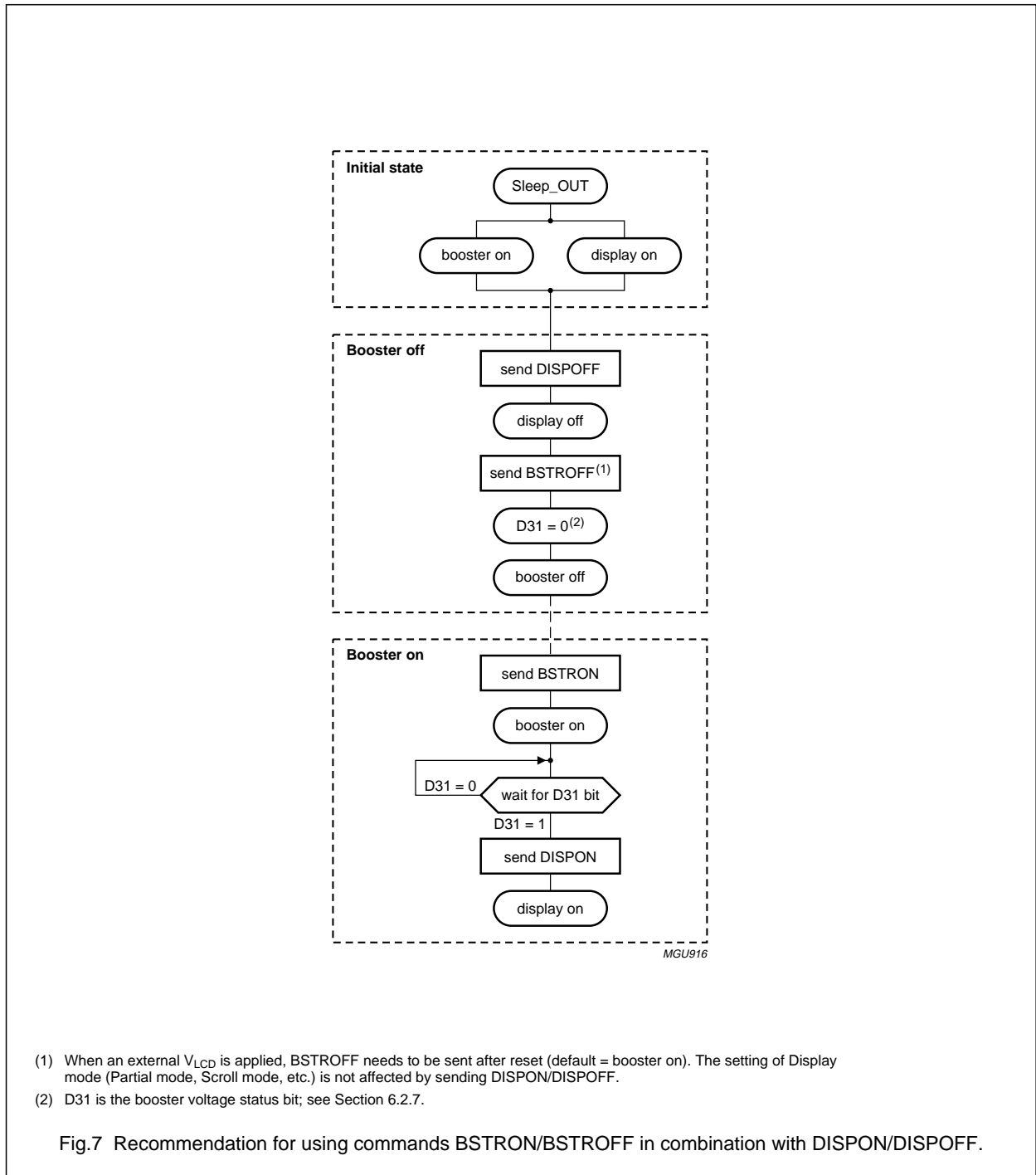
Figure 4 gives additional information on the effect of the DISPON/DISPOFF command. Figure 7 shows the effects of the combination of commands BSTRON and BSTROFF with DISPON and DISPOFF.

STN RGB - 132 × 132 × 3 driver

PCF8833

**Table 28** Display on register bits

D/C	7	6	5	4	3	2	1	0	DEFAULT
0	0	0	1	0	1	0	0	1	29H



- (1) When an external  $V_{LCD}$  is applied, BSTROFF needs to be sent after reset (default = booster on). The setting of Display mode (Partial mode, Scroll mode, etc.) is not affected by sending DISPON/DISPOFF.
- (2) D31 is the booster voltage status bit; see Section 6.2.7.

**Fig.7** Recommendation for using commands BSTRON/BSTROFF in combination with DISPON/DISPOFF.

## STN RGB - 132 × 132 × 3 driver

## PCF8833

## 6.2.19 COLUMN ADDRESS SET

The display data RAM parameters *xs* and *xe* define the column address range of the display data RAM for writing data. Parameters *xs* and *xe* are defined between 0 and 131 (83H), and *xs* must be smaller than *xe*.

**Table 29** Column address set register bits

D/C	7	6	5	4	3	2	1	0	DEFAULT
0	0	0	1	0	1	0	1	0	2AH
1	<i>xs</i> [7]	<i>xs</i> [6]	<i>xs</i> [5]	<i>xs</i> [4]	<i>xs</i> [3]	<i>xs</i> [3]	<i>xs</i> [3]	<i>xs</i> [0]	02H
1	<i>xe</i> [7]	<i>xe</i> [6]	<i>xe</i> [5]	<i>xe</i> [4]	<i>xe</i> [3]	<i>xe</i> [2]	<i>xe</i> [1]	<i>xe</i> [0]	81H

## 6.2.20 PAGE ADDRESS SET

The display data RAM parameters *ys*[7:0] and *ye*[7:0] define the page (row) address range of the display data RAM for writing data. Parameters *ys* and *ye* are defined between 0 and 131 (83H), and *ys* must be smaller than *ye*.

**Table 30** Page address set register bits

D/C	7	6	5	4	3	2	1	0	DEFAULT
0	0	0	1	1	1	0	1	1	2BH
1	<i>ys</i> [7]	<i>ys</i> [6]	<i>ys</i> [5]	<i>ys</i> [4]	<i>ys</i> [3]	<i>ys</i> [3]	<i>ys</i> [3]	<i>ys</i> [0]	02H
1	<i>ye</i> [7]	<i>ye</i> [6]	<i>ye</i> [5]	<i>ye</i> [4]	<i>ye</i> [3]	<i>ye</i> [2]	<i>ye</i> [1]	<i>ye</i> [0]	81H

## 6.2.21 MEMORY WRITE

Data written to the display memory (RAM) is validated by the Memory write (RAMWR) command. Entering this command always returns the page address and column address to the start addresses *xs*[7:0] and *ys*[7:0] respectively. Content of the display data RAM is written by the data entered following this command, with the page and/or column address automatically incremented. The data Write mode turned on by this command can be automatically cancelled by entering another command.

After a power-up the display RAM content is undefined. Neither a hardware reset nor a software reset changes the data stored in display RAM. Sending display data must stop 160 ns before issuing a hardware reset, otherwise the last word written to the display RAM may be corrupted.

**Table 31** Memory write register bits

D/C	7	6	5	4	3	2	1	0	DEFAULT
0	0	0	1	0	1	1	0	1	2CH
1	D7	D6	D5	D4	D3	D2	D1	D0	XX

## STN RGB - 132 × 132 × 3 driver

## PCF8833

## 6.2.22 COLOUR SET

With the Colour set (RGBSET) command the mapping from the 256-colour interface data is translated to the 4 kbyte colour RAM data of the PCF8833 can be changed. The translation table must be changed, if necessary, before sending 256 colour data. For the red and green pixel 8 from the available 16 grey scales can be selected. For the blue pixel 4 from the 16 grey scales can be selected. The default or reset state of the colour mapping can be found in Table 32.

If the 256-to-4 kbyte colour mapping needs to be changed, the whole table must be sent. The mapping of colours is done when writing data into the RAM, through the application of the Look-Up Table (LUT).

**Table 32** Colour set register bits

D/C	D7	D6	D5	D4	D3	D2	D1	D0	DEFAULT	DESCRIPTION
0	0	0	1	0	1	1	0	1	2DH	
1	X	X	X	X	R3	R2	R1	R0	00H	red tone 000
1	X	X	X	X	R3	R2	R1	R0	02H	red tone 001
1	X	X	X	X	R3	R2	R1	R0	04H	red tone 010
1	X	X	X	X	R3	R2	R1	R0	06H	red tone 011
1	X	X	X	X	R3	R2	R1	R0	09H	red tone 100
1	X	X	X	X	R3	R2	R1	R0	0BH	red tone 101
1	X	X	X	X	R3	R2	R1	R0	0DH	red tone 110
1	X	X	X	X	R3	R2	R1	R0	0FH	red tone 111
1	X	X	X	X	G3	G2	G1	G0	00H	green tone 000
1	X	X	X	X	G3	G2	G1	G0	02H	green tone 001
1	X	X	X	X	G3	G2	G1	G0	04H	green tone 010
1	X	X	X	X	G3	G2	G1	G0	06H	green tone 011
1	X	X	X	X	G3	G2	G1	G0	09H	green tone 100
1	X	X	X	X	G3	G2	G1	G0	0BH	green tone 101
1	X	X	X	X	G3	G2	G1	G0	0DH	green tone 110
1	X	X	X	X	G3	G2	G1	G0	0FH	green tone 111
1	X	X	X	X	B3	B2	B1	B0	00H	blue tone 00
1	X	X	X	X	B3	B2	B1	B0	04H	blue tone 01
1	X	X	X	X	B3	B2	B1	B0	0BH	blue tone 10
1	X	X	X	X	B3	B2	B1	B0	0FH	blue tone 11

## 6.2.23 PARTIAL AREA

The Partial area command (PTLAR) sets the partial display area and displays the RAM content of this area. In the partial Display mode the drive voltage can be reduced.

**Table 33** Partial area register bits

D/C	7	6	5	4	3	2	1	0	DEFAULT
0	0	0	1	1	0	0	0	0	30H
1	AA1S <sub>7</sub>	AA1S <sub>6</sub>	AA1S <sub>5</sub>	AA1S <sub>4</sub>	AA1S <sub>3</sub>	AA1S <sub>2</sub>	AA1S <sub>1</sub>	AA1S <sub>0</sub>	tbf
1	AA1E <sub>7</sub>	AA1E <sub>6</sub>	AA1E <sub>5</sub>	AA1E <sub>4</sub>	AA1E <sub>3</sub>	AA1E <sub>2</sub>	AA1E <sub>1</sub>	AA1E <sub>0</sub>	tbf

STN RGB - 132 × 132 × 3 driver

PCF8833

The following steps must be followed to enter the Partial mode:

- Set  $V_{OP}$  (when the MMOTP cells are used the  $V_{OP}$  for the Partial mode is predefined)
- Set bias system (when the MMOTP cells are used the bias system for the Partial mode is predefined)
- Set start address of active area  $AA1S[7:0]$ ; can be set in multiples of 4
- Set end address of active area  $AA1E[7:0] + 1$ ; can be set in multiples of 4
- Enter Partial mode (PTLON).

When setting the addresses the following conditions must be ensured:

- $(AA1E + 1) - AA1S = 32$  (only 1 partial display size setting is possible)
- $AA1 \geq 0$  and  $AA1E \leq 131$ .

Figure 8 shows how to use the Partial mode with Line Address Order (LAO) set to logic 0. Figure 9 gives an example of Partial mode with LAO set to logic 1, and Fig.10 shows the position of the partial area when the start address of the active area is  $AA1S \geq (131 + 1) - 31$ , i.e.  $AA1S \geq 101$  ( $AA1S$  must be set in multiples of 4).

Figure 11 shows how the Partial mode can be used.

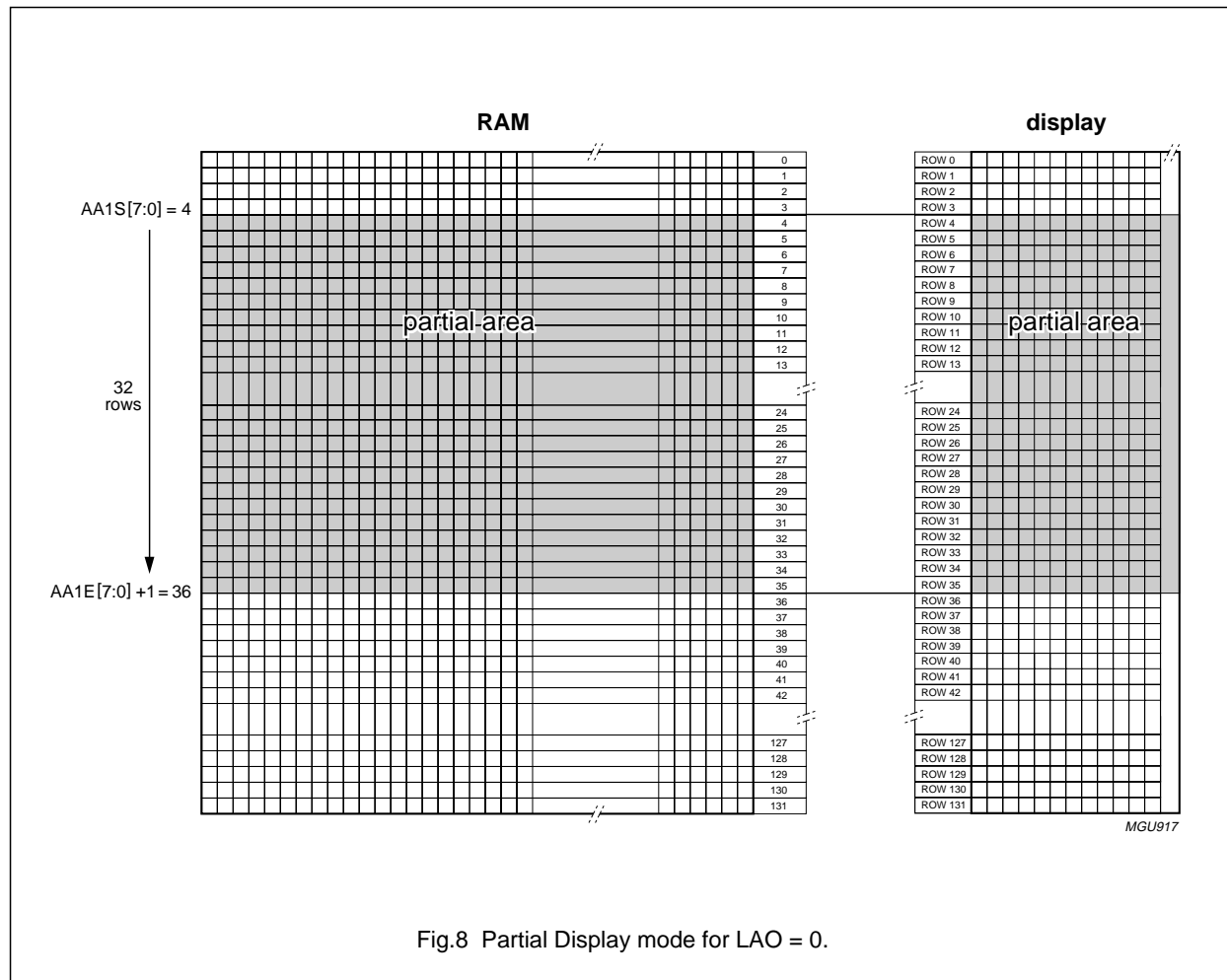


Fig.8 Partial Display mode for LAO = 0.

STN RGB - 132 × 132 × 3 driver

PCF8833

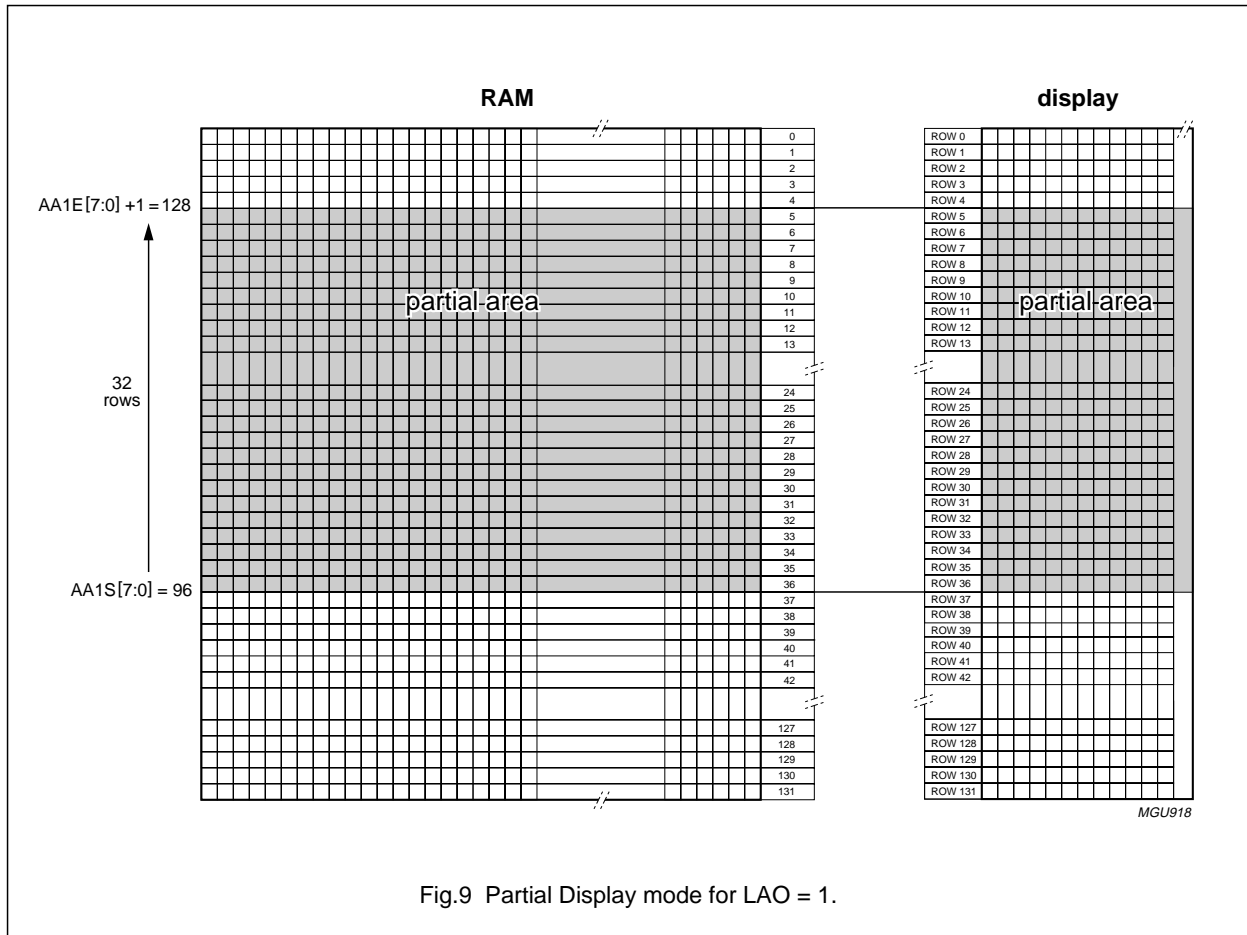


Fig.9 Partial Display mode for LAO = 1.

STN RGB - 132 × 132 × 3 driver

PCF8833

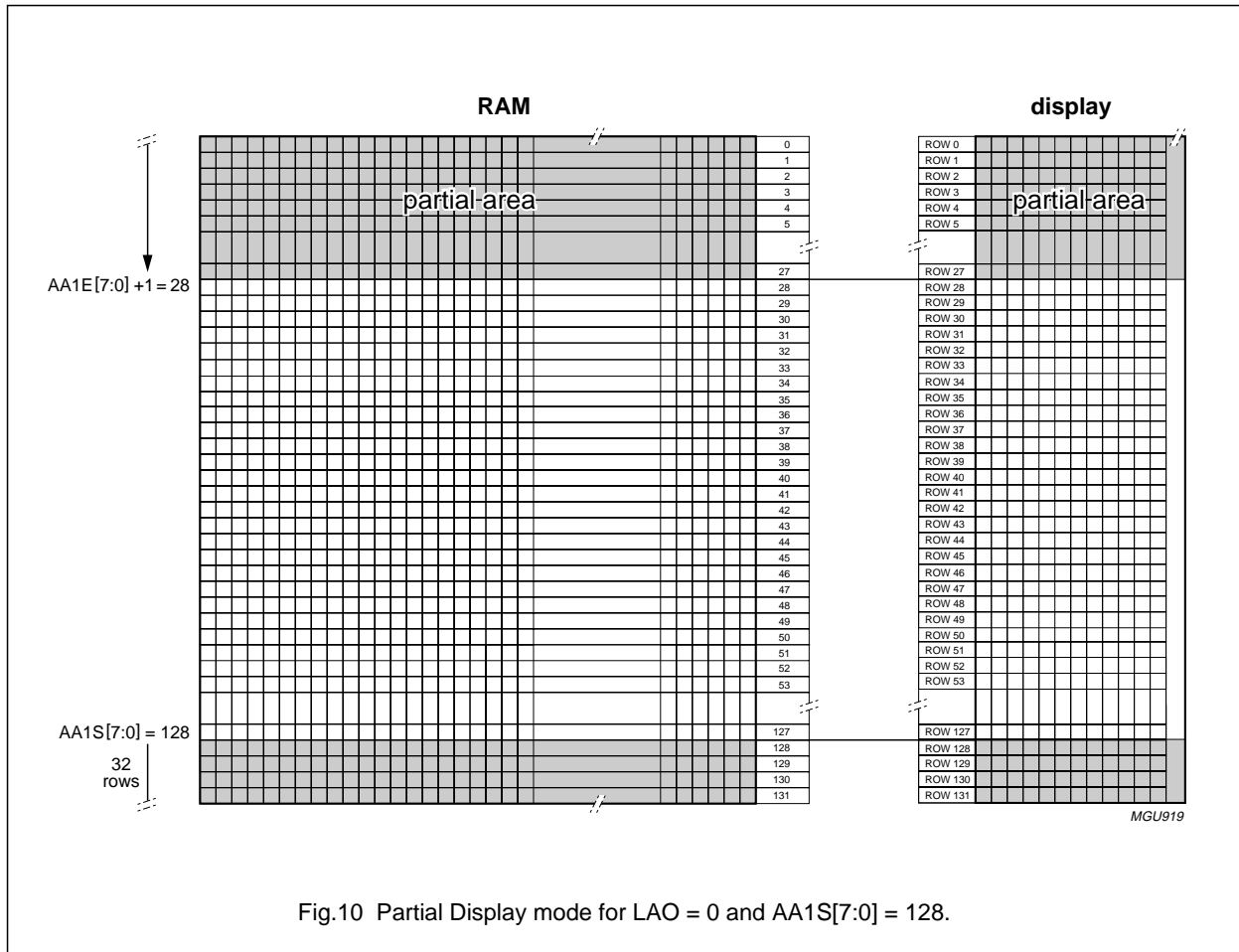
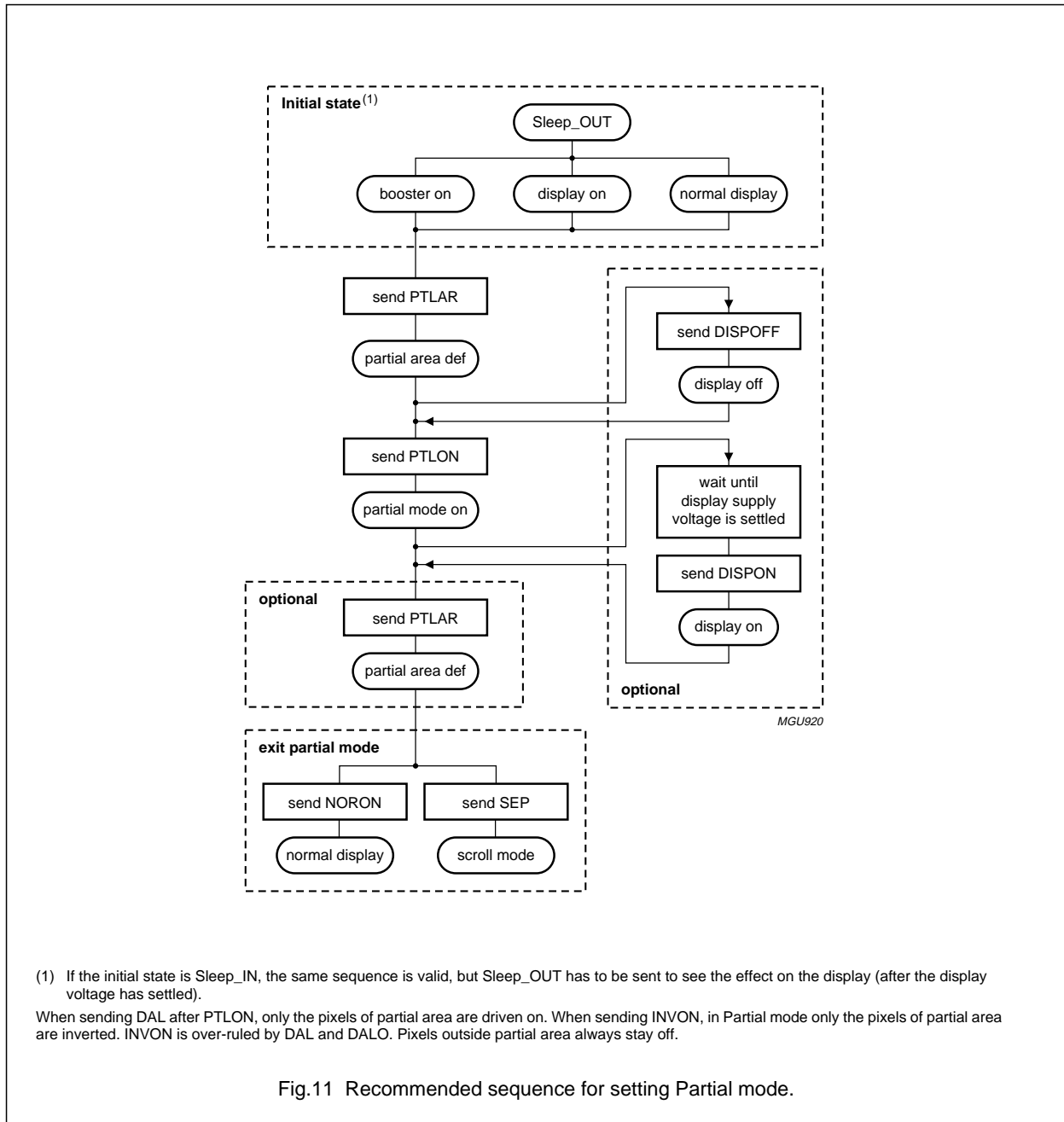


Fig.10 Partial Display mode for LAO = 0 and AA1S[7:0] = 128.

STN RGB - 132 × 132 × 3 driver

PCF8833





## STN RGB - 132 × 132 × 3 driver

## PCF8833

## 6.2.24 VERTICAL SCROLLING DEFINITION

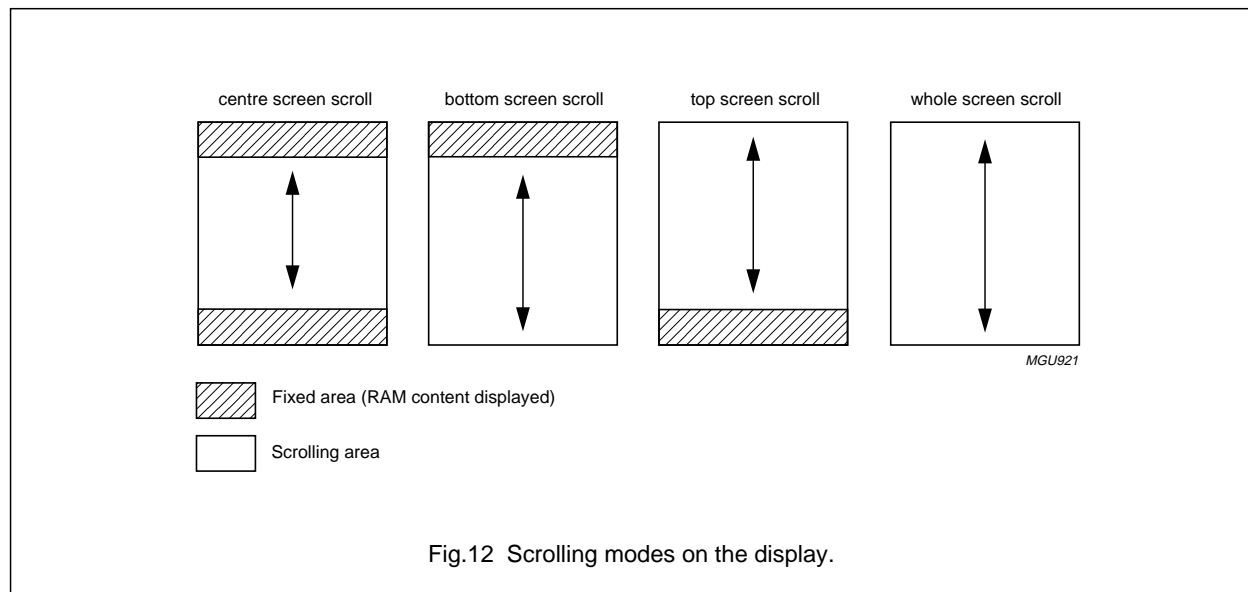
In the PCF8833 three different scrolling modes can be used. These scrolling modes differ from each other in the way the RAM to display mapping is done. The vertical scrolling is defined as follows:

- Vertical scrolling definition (VSCRDEF) command
- TF[7:0] defines the number of lines for the top fixed area on the display, there is no top fixed area when TF[7:0] = 0
- SA[7:0] defines the number of lines for the scrolling area on the display
- BF[7:0] defines the number of lines for the bottom fixed area on the display, there is no bottom fixed area when BF[7:0] = 0.

Figure 12 illustrates the 4 scrolling configurations that can be defined.

**Table 34** Vertical scrolling definition register bits

D/C	7	6	5	4	3	2	1	0	DEFAULT
0	0	0	1	1	0	0	1	1	33H
1	TF <sub>7</sub>	TF <sub>6</sub>	TF <sub>5</sub>	TF <sub>4</sub>	TF <sub>3</sub>	TF <sub>2</sub>	TF <sub>1</sub>	TF <sub>0</sub>	00H
1	SA <sub>7</sub>	SA <sub>6</sub>	SA <sub>5</sub>	SA <sub>4</sub>	SA <sub>3</sub>	SA <sub>2</sub>	SA <sub>1</sub>	SA <sub>0</sub>	82H
1	BF <sub>7</sub>	BF <sub>6</sub>	BF <sub>5</sub>	BF <sub>4</sub>	BF <sub>3</sub>	BF <sub>2</sub>	BF <sub>1</sub>	BF <sub>0</sub>	00H



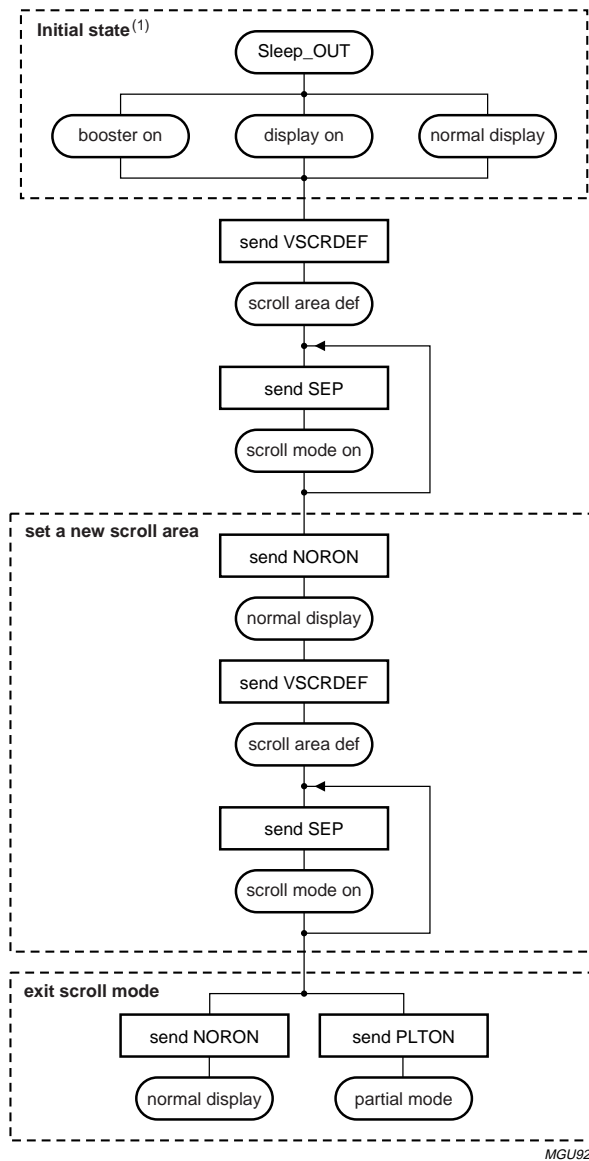
There are 3 different scrolling modes, which are selected as follows:

1. TF + SA + BF = 130 rolling Scroll mode; see Section 6.2.24.1
2. TF + SA + BF = 131 non-rolling Scroll mode; see Section 6.2.24.2
3. TF + SA + BF = 132 non-rolling Scroll mode; see Section 6.2.24.3.

The recommended sequence for setting up the scroll modes is illustrated in Fig.13.

STN RGB - 132 × 132 × 3 driver

PCF8833



MGU922

(1) If the initial state is Sleep\_IN, the same sequence is valid, but Sleep\_OUT has to be sent to see the effect on the display (after the display voltage has settled).

Fig.13 Recommended sequence for setting up Scroll modes.

# STN RGB - 132 × 132 × 3 driver

# PCF8833

### 6.2.24.1 Rolling Scroll mode

The RAM-to-display mapping for the rolling Scroll mode when a 132 × 130 (columns × rows) display is connected to the PCF8833 is illustrated in Fig.14. In this case rows 0 and 131 must be left open. When a 132 × 132 display is connected, there will be a one-to-one mapping between the RAM and the display, and there will be no unused rows.

The rolling Scroll mode is activated when the Set Entry Scroll Point (SEP) is set; see Table 35.

Figure 15 gives an example for when the PCF8833 is working in the rolling Scroll mode.

When the rolling Scroll mode is used the following sequence can be applied:

- After the desired time interval increment the scroll address to SEP + n for a n-line step
- Keep incrementing the scroll address (SEP) at regular intervals.

The rolling Scroll mode is left when the normal Display mode on (NORON) or the partial Display mode on (PTLON) is selected.

**Table 35** Set entry scroll point register bits

D/C	7	D6	5	4	3	2	1	0	DEFAULT
0	0	0	1	1	0	1	1	1	37H
1	SEP7	SEP6	SEP5	SEP4	SEP3	SEP2	SEP1	SEP0	00H

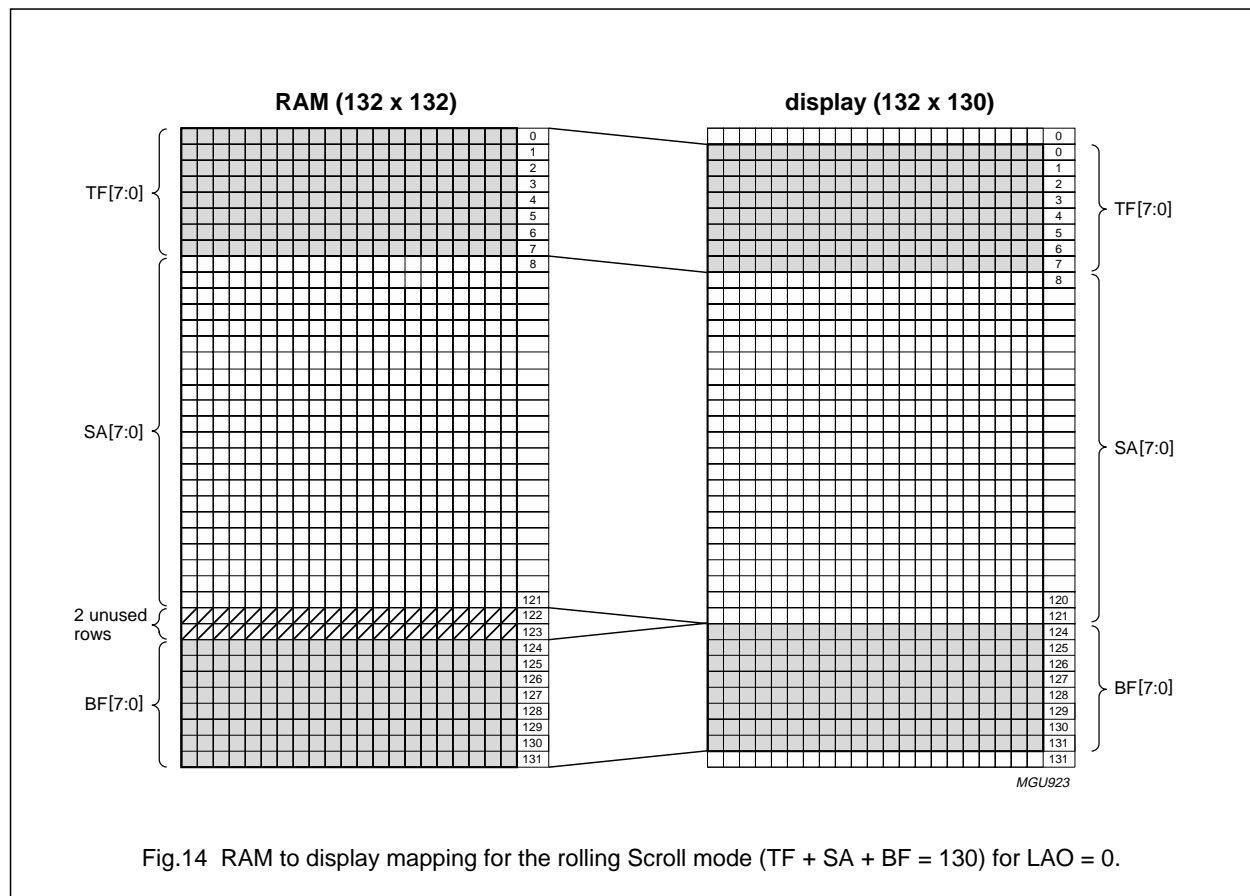


Fig.14 RAM to display mapping for the rolling Scroll mode (TF + SA + BF = 130) for LAO = 0.

STN RGB - 132 × 132 × 3 driver

PCF8833

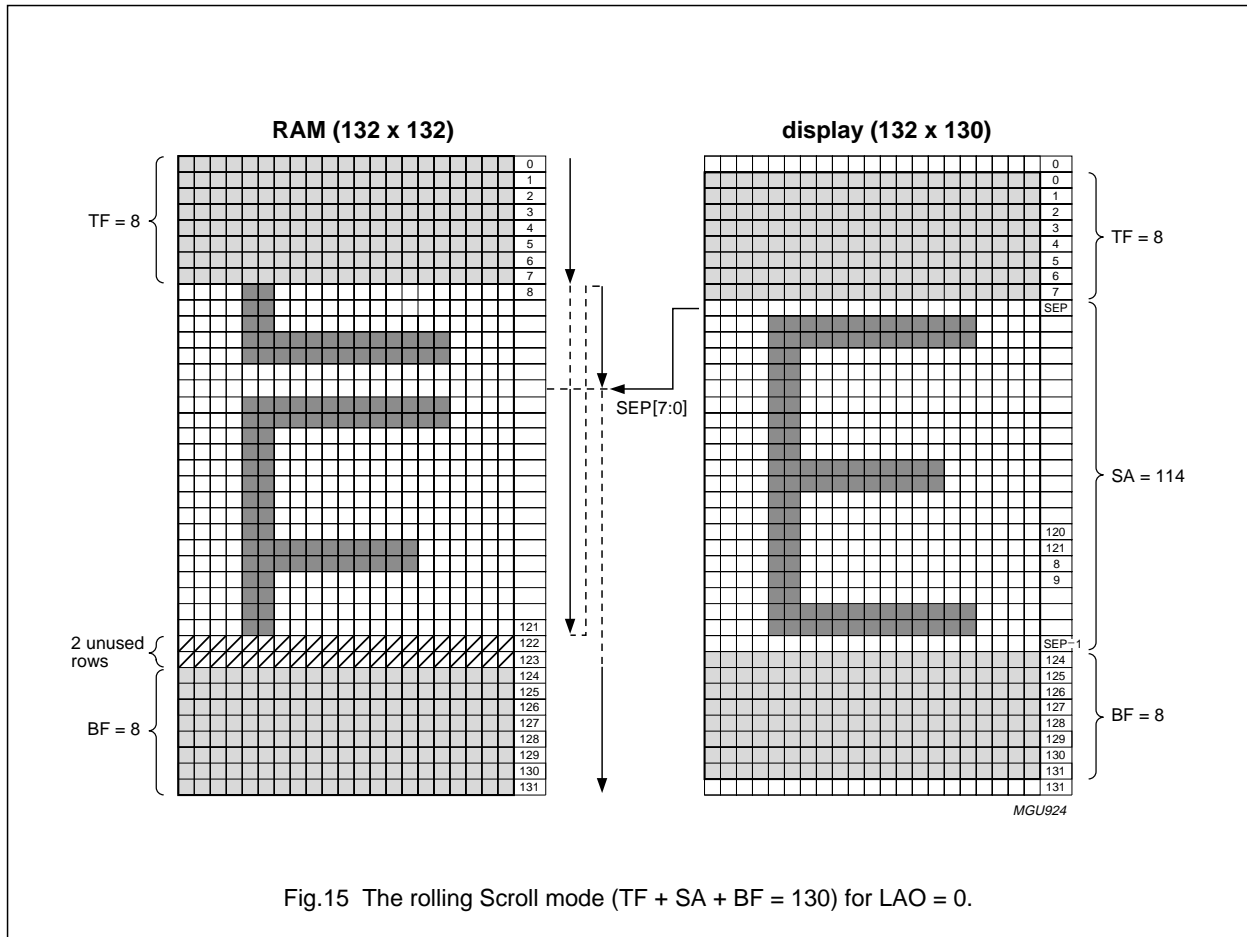


Fig.15 The rolling Scroll mode (TF + SA + BF = 130) for LAO = 0.

STN RGB - 132 × 132 × 3 driver

PCF8833

6.2.24.2 Non-rolling Scroll mode

The RAM-to-display mapping for the non-rolling Scroll mode when a 132 × 130 (columns × rows) display is connected to the PCF8833 is illustrated in Fig.16. In this case unused rows and columns are to be left open, for instance row 0 and 131. If a 132 × 132 display is connected to the PCF8833 the content of row 0 and 131 will be the same as the content which is displayed in row 1 and 130, respectively. By doing so, the display data RAM will have 1 row in the background, whose content can be updated when it is not displayed.

The non-rolling Scroll mode is activated when the Set Entry Scroll point is set; see Table Fig.36.

An example is given in Figure 17 for the case when the PCF8833 is working in the non-rolling Scroll mode (TF + SA + BF = 131).

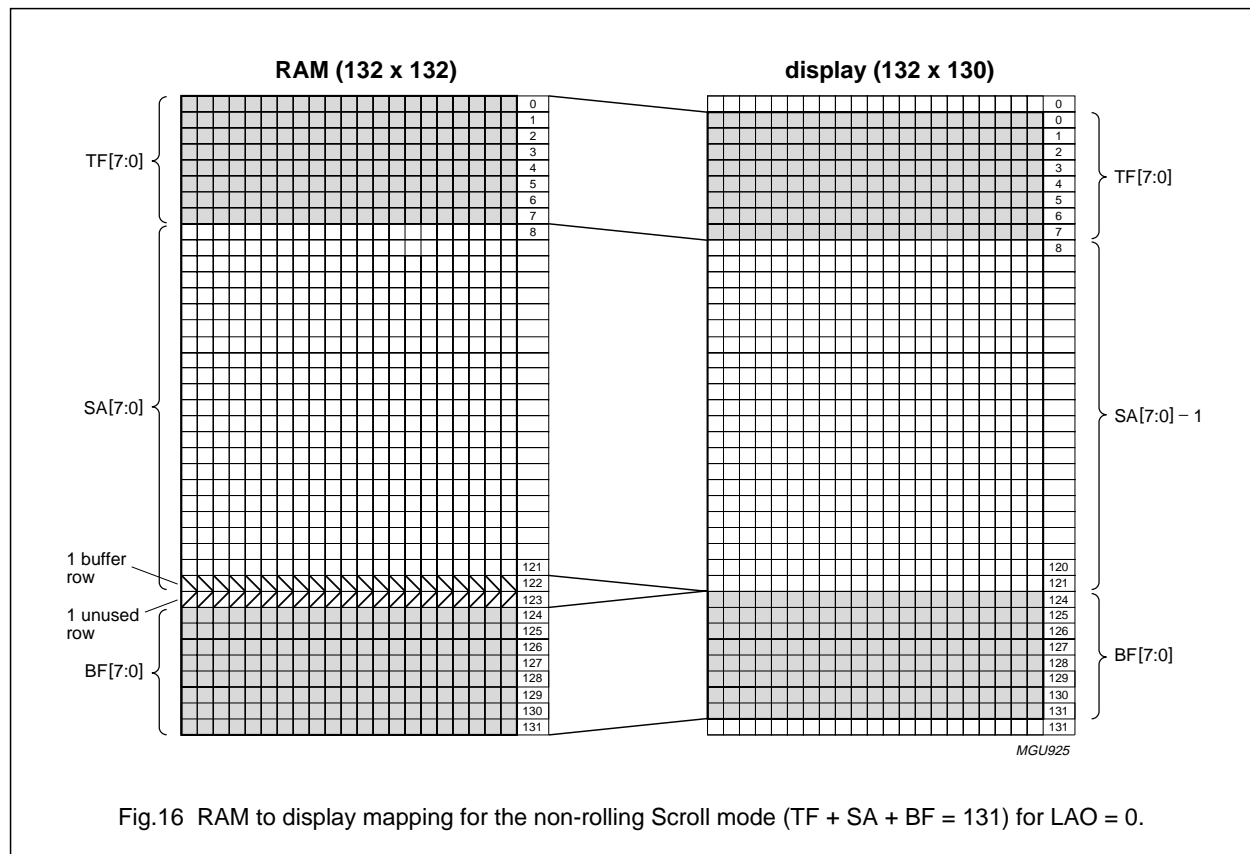
When the non-rolling Scroll mode is used the following sequence can be applied:

- Fill the background memory
- After the desired time interval increment the scroll address to SEP + n for a n-line step
- Keep filling the background memory and incrementing scroll address (SEP) at regular intervals to obtain a smooth scrolling.

The non-rolling Scroll mode is left when the normal Display mode on (NORON) or the partial Display mode on (PTLON) is selected.

Table 36 Set entry scroll point register bits

D/C	7	6	5	4	3	2	1	0	DEFAULT
0	0	0	1	1	0	1	1	1	37H
1	SEP7	SEP6	SEP5	SEP4	SEP3	SEP2	SEP1	SEP0	00H



STN RGB - 132 × 132 × 3 driver

PCF8833

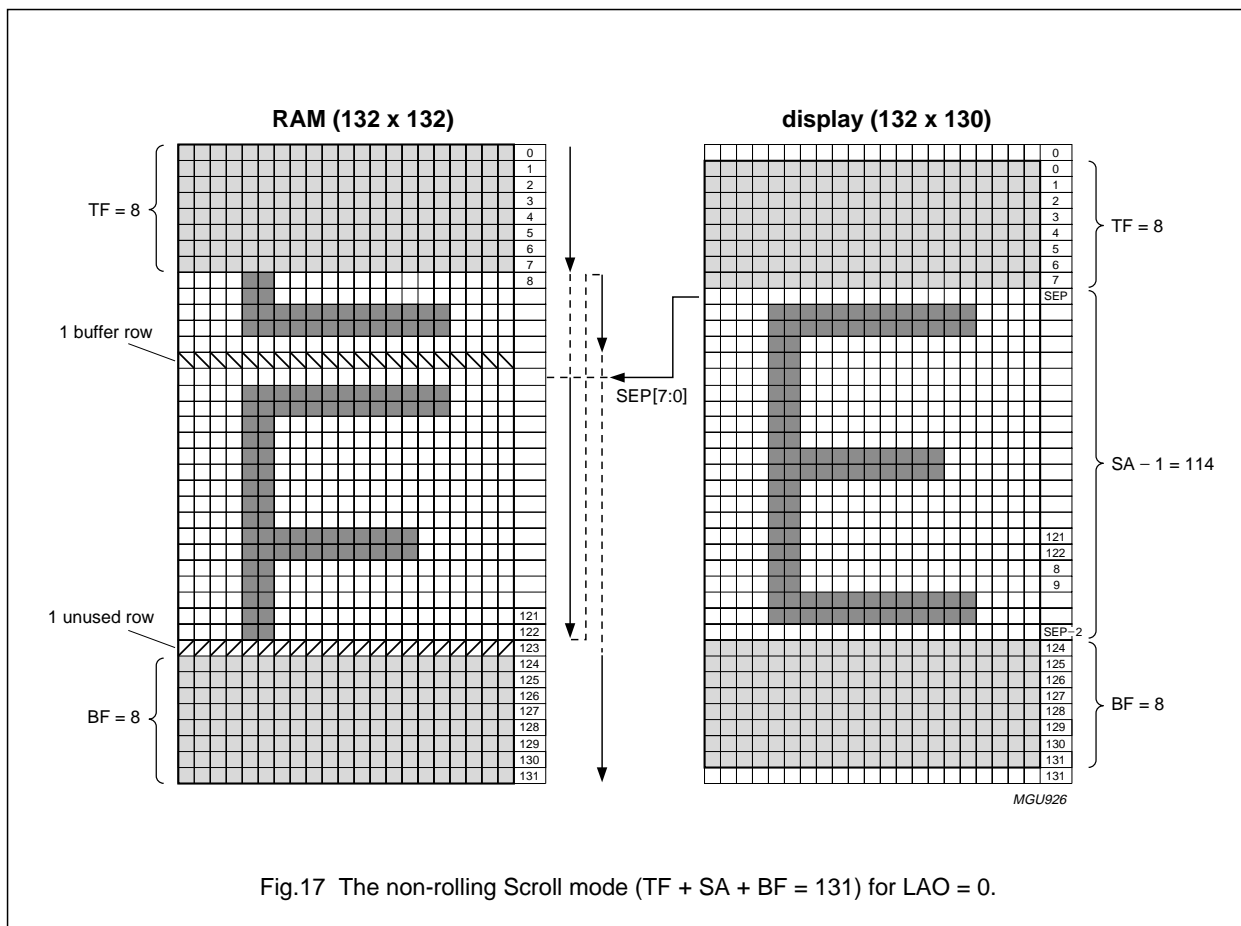


Fig.17 The non-rolling Scroll mode (TF + SA + BF = 131) for LAO = 0.

6.2.24.3 Non-rolling Scroll mode

The RAM-to-display mapping for the non-rolling Scroll mode when a 132 × 130 (columns × rows) display is connected to the PCF8833 is illustrated in Fig.18. In this case unused rows and columns are to be left open, for instance row 0 and 131. If a 132 × 132 display is connected to the PCF8833 the content of row 0 and 131 will be the same as the content which is displayed in row 1 and 130, respectively. By doing so the display data RAM will have 2 rows in the background, whose content can be updated when they are not displayed.

The non-rolling Scroll mode is activated when the Set Entry Scroll Point is set; see Table Fig.37.

Figure 19 shows an example for when the PCF8833 is working in the non-rolling Scroll mode (TF + SA + BF = 132).

When the non-rolling Scroll mode is used the following sequence can be applied.

- Fill the background memory
- After the desired time interval increment the scroll address to SEP + n for a n-line step
- Keep filling the background memory and incrementing scroll address (SEP) at regular intervals to obtain a smooth scrolling.

The non-rolling Scroll mode is left when the normal Display mode on (NORON) or the partial Display mode on (PTLON) is selected.

STN RGB - 132 × 132 × 3 driver

PCF8833

**Table 37** Set entry scroll point register bits

D/C	7	6	5	4	3	2	1	0	DEFAULT
0	0	0	1	1	0	1	1	1	37H
1	SEP7	SEP6	SEP5	SEP4	SEP3	SEP2	SEP1	SEP0	00H

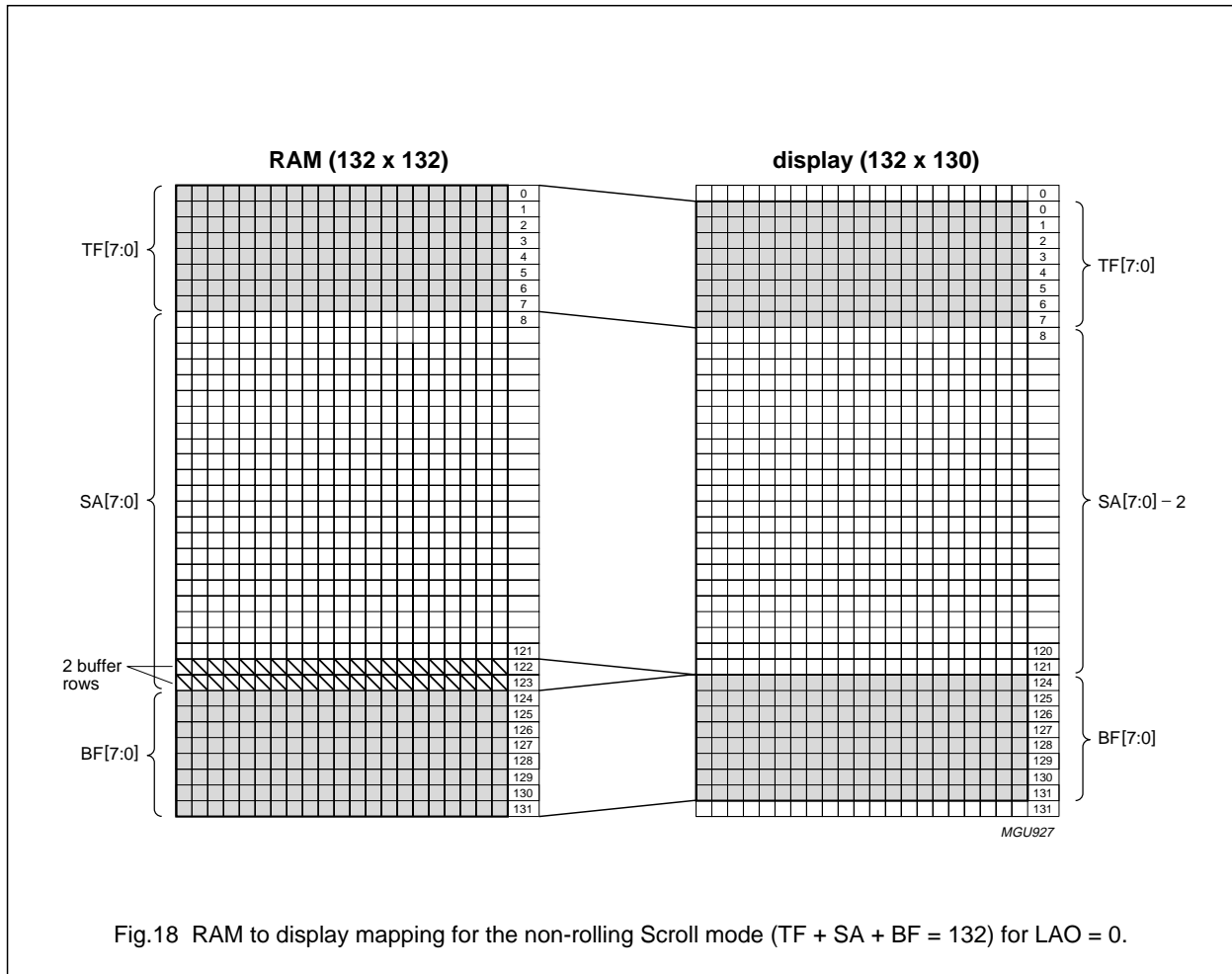


Fig.18 RAM to display mapping for the non-rolling Scroll mode (TF + SA + BF = 132) for LAO = 0.

STN RGB - 132 × 132 × 3 driver

PCF8833

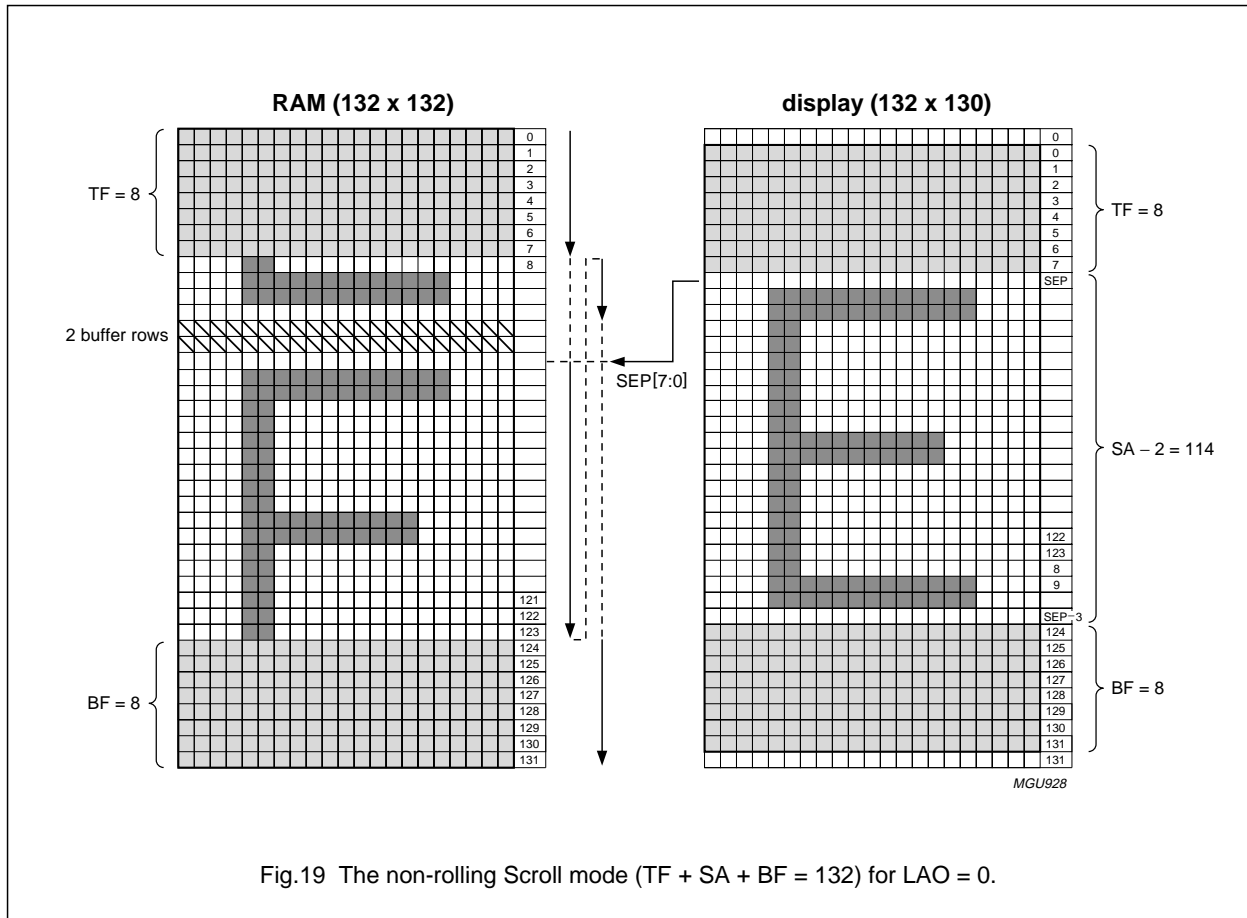


Fig.19 The non-rolling Scroll mode (TF + SA + BF = 132) for LAO = 0.



STN RGB - 132 × 132 × 3 driver

PCF8833

6.2.24.4 Effect of LAO on scroll modes

An example of when the PCF8833 is working in the non-rolling Scroll mode (TF + SA + BF = 132) with the Line Address Order (LAO) bit set to logic 1, is illustrated in Fig.20. The Scroll modes described in Sections 6.2.24.1 and 6.2.24.2 also work on the same principle when the LAO bit is set to logic 1.

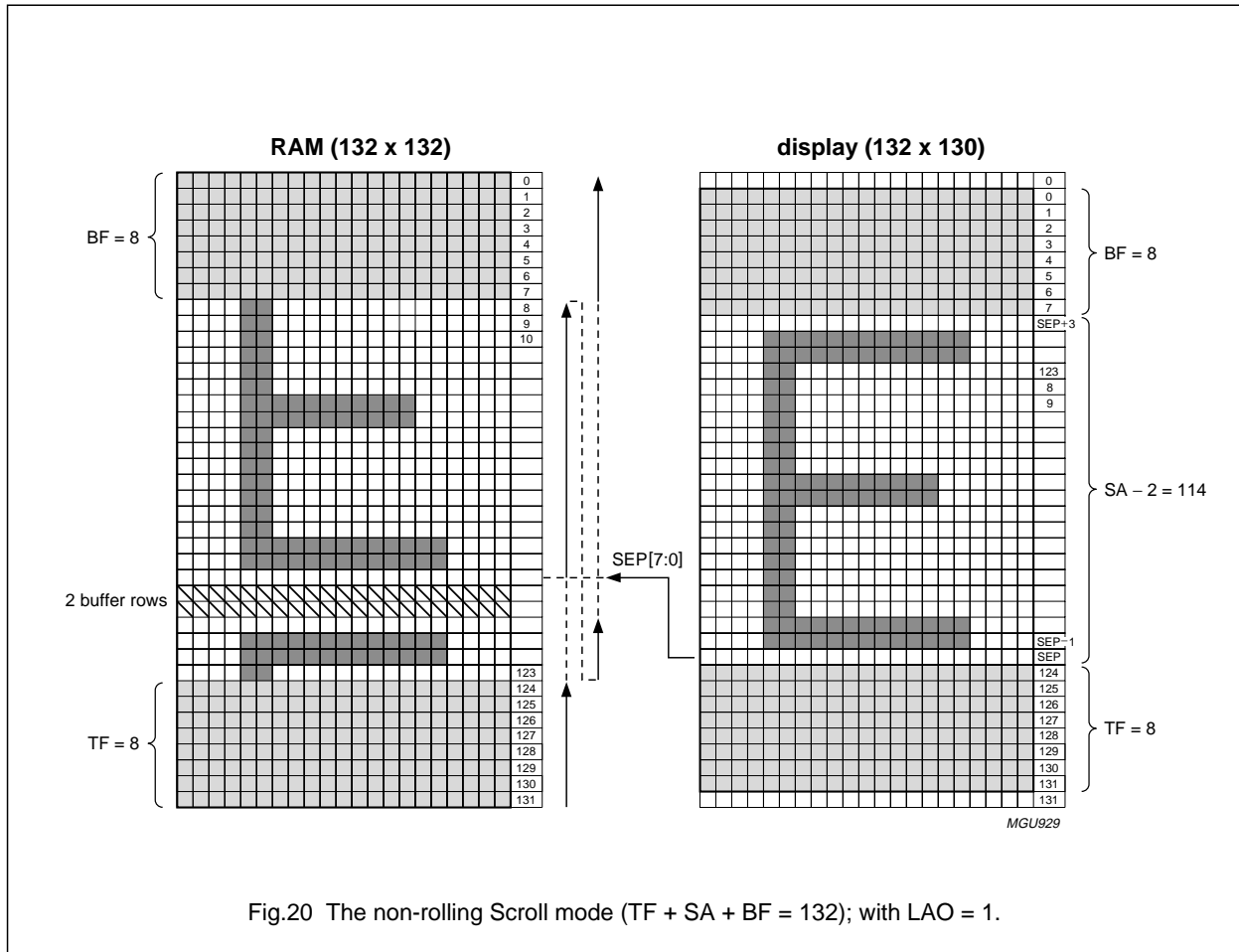


Fig.20 The non-rolling Scroll mode (TF + SA + BF = 132); with LAO = 1.

## STN RGB - 132 × 132 × 3 driver

## PCF8833

## 6.2.25 TEARING EFFECT LINE OFF

The Tearing effect line off (TEOFF) command ties the TE pin LOW.

**Table 38** Tearing effect line off register bits

D/C	7	6	5	4	3	2	1	0	DEFAULT
0	0	0	1	1	0	1	0	0	34H

## 6.2.26 TEARING EFFECT LINE ON

The Tearing effect line on (TEON) command turns the TE line of the display on.

The TE signal indicates the start of a super-frame (equals 16 frames). In 4 kbyte colour mode a whole super-frame is needed to write full colour depth. In 8-colour mode the available colour depth is written in one frame. The tearing signal goes HIGH when the last line of a super-frame is read. The HIGH time is 850  $\mu$ s (see Fig.21).

**Table 39** Tearing effect line on register bits; note 1

D/C	7	6	5	4	3	2	1	0	DEFAULT
0	0	0	1	1	0	1	0	1	35H
1	X	X	X	X	X	X	X	X	00H

**Note**

1. X = don't care.

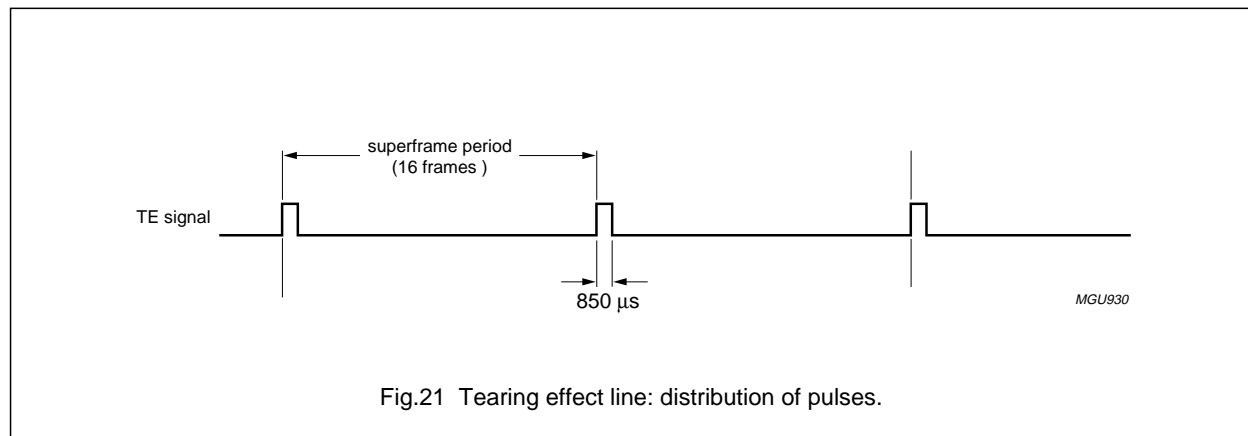


Fig.21 Tearing effect line: distribution of pulses.

STN RGB - 132 × 132 × 3 driver

PCF8833

6.2.27 MEMORY DATA ACCESS CONTROL

The display data RAM access conditions can be defined by using the Memory data access control (MADCTL) command. The used single control bits together with their reset states are given in Table 41.

**Table 40** Memory data access control register bits

D/C	7	6	5	4	3	2	1	0	DEFAULT
0	0	0	1	1	0	1	1	0	36H
1	MY	MX	V	LAO <sup>(1)</sup>	RGB	X	X	X	00H

**Note**

1. Refer to Section 6.2.24.4 for an explanation of LAO on scroll modes and to Section 6.2.23 for an explanation of LAO on Partial mode.

**Table 41** Explanation of the memory data access control bits

BIT	LOGIC 0 (RESET STATE)	LOGIC 1
MY	no mirror Y	mirror Y
MX	no mirror X	mirror X
V	RAM write in X direction	vertical RAM write; in Y direction
LAO	line address order (top to bottom)	line address order (bottom to top)
RGB	RGB	BGR

The relationship between RAM and display for the MX, MY, RGB and LAO control bits is illustrated Fig.22. Combinations of MX, MY and V are described in more detail in Section 7.2.

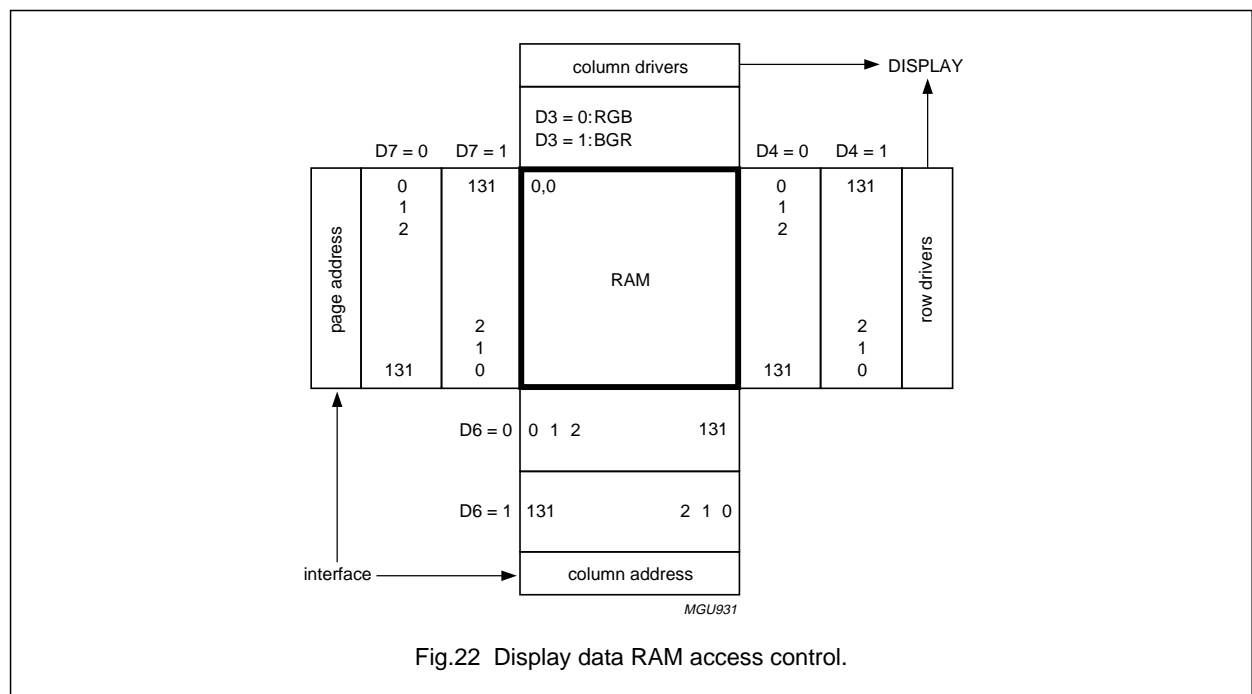


Fig.22 Display data RAM access control.

## STN RGB - 132 × 132 × 3 driver

## PCF8833

## 6.2.28 IDLE MODE OFF

The Idle mode off (IDMOFF) command turns off the Idle mode and the PCF8833 is working in the 4 kbyte colour mode. This command is similar to the Idle mode on command (IDMON); see Section 6.2.29.

**Table 42** Idle mode off register bits

D/C	7	6	5	4	3	2	1	0	DEFAULT
0	0	0	1	1	1	0	0	0	38H

## 6.2.29 IDLE MODE ON

The Idle mode on (IDMON) command activates the Idle mode of the LCD driver in order to reduce the power consumption. When the Idle mode is switched on, the number of colours is reduced to 8 (only the MSB of data stored in the RAM is used). In addition to the reduction in the number of colours, the frame frequency can also be reduced. The frame frequency for the Idle mode can be programmed separately from the frame frequency in 4 kbyte colour mode; see Section 6.2.41.

**Table 43** Idle mode on register bits

D/C	7	6	5	4	3	2	1	0	DEFAULT
0	0	0	1	1	1	0	0	1	39H

## 6.2.30 COLOUR INTERFACE PIXEL FORMAT

By using the Colour interface pixel format command (COLMOD) different interface RGB formats can be chosen. The choice of an RGB format also influences the way display data is transferred to the display data RAM via the interface; see Section 7.1.3.

The different interface RGB formats are given in Table 45.

**Table 44** Colour interface pixel format register bits; note 1

D/C	7	6	5	4	3	2	1	0	DEFAULT
0	0	0	1	1	1	0	1	0	3AH
1	X	X	X	X	X	P2	P1	P0	03H

**Note**

1. X = don't care.

## STN RGB - 132 × 132 × 3 driver

## PCF8833

**Table 45** Interface formats

P2	P1	P0	INTERFACE FORMATS
0	0	0	no action
0	0	1	no action
0	1	0	8-bit/pixel <sup>(1)</sup>
0	1	1	12-bit/pixel <sup>(2)</sup>
1	0	0	no action
1	0	1	16-bit/pixel <sup>(3)</sup>
1	1	0	no action
1	1	1	no action

**Notes**

1. PCF8833 is switched into 256 colour mode, 256 colours are mapped to the 4 kbyte RAM with a LUT; see Section 6.2.22.
2. PCF8833 is switched into 4 kbyte colour mode, which is also the reset state.
3. PCF8833 is switched into 64 kbyte colour mode, which is achieved by means of dithering.

6.2.31 SET V<sub>OP</sub>

The set V<sub>OP</sub> command (SETVOP) is used to program the optimum LCD supply voltage V<sub>LCD</sub>.

The reset state of VPR[8:0] is 257DEC (13.88 V).

The optimum LCD supply voltage can be calculated as explained in Section 6.2.43. The V<sub>OP</sub> value is programmed via the VPR register. Besides the VPR register the V<sub>OP</sub> value can be calibrated by means of OTP cells or changed with the VCON register (see Fig.23).

**Table 46** Set V<sub>OP</sub> register bits; note 1

D/C	D7	D6	D5	D4	D3	D2	D1	D0	DEFAULT
0	1	0	1	1	0	0	0	0	B0H
1	X	X	X	X	VPR <sub>8</sub>	VPR <sub>7</sub>	VPR <sub>6</sub>	VPR <sub>5</sub>	08H
1	X	X	X	VPR <sub>4</sub>	VPR <sub>3</sub>	VPR <sub>2</sub>	VPR <sub>1</sub>	VPR <sub>0</sub>	01H

**Note**

1. X = don't care.

The generated V<sub>LCD</sub> can be calculated with equation (1). Figure 24 is the graphical equivalent to equation (1).

$$V_{LCD} = a + \langle MMVOPCAL[5:0] + VCON[6:0] + V_{PR}[8:0] \rangle \times b \quad (1)$$

Where:

- a is a fixed constant value; see Table 47
- b is a fixed constant value; see Table 47
- V<sub>PR</sub>[8:0] is the programmed V<sub>OP</sub> value; the programming range for V<sub>PR</sub>[8:0] is 5 to 410 (19AH)
- MMVOPCAL[5:0] is the value of the offset stored in the OTP cells in twos complement format; see Section 15.1
- VCON[6:0] is the set contrast value which can be set via the interface and is in twos complement format; see Section 6.2.16.

The VOP[8:0] value must be in the V<sub>LCD</sub> programming range as shown in Fig.24. Evaluating equation (1), values outside of the programming range indicated in Fig.24 may result. Calculated values below 0 will be mapped to V<sub>OP</sub> = 0; resulting V<sub>OP</sub> values higher than 445 will be mapped to V<sub>OP</sub> = 445. An overview of the complete programming range of V<sub>LCD</sub> can be found in Section 15.1.

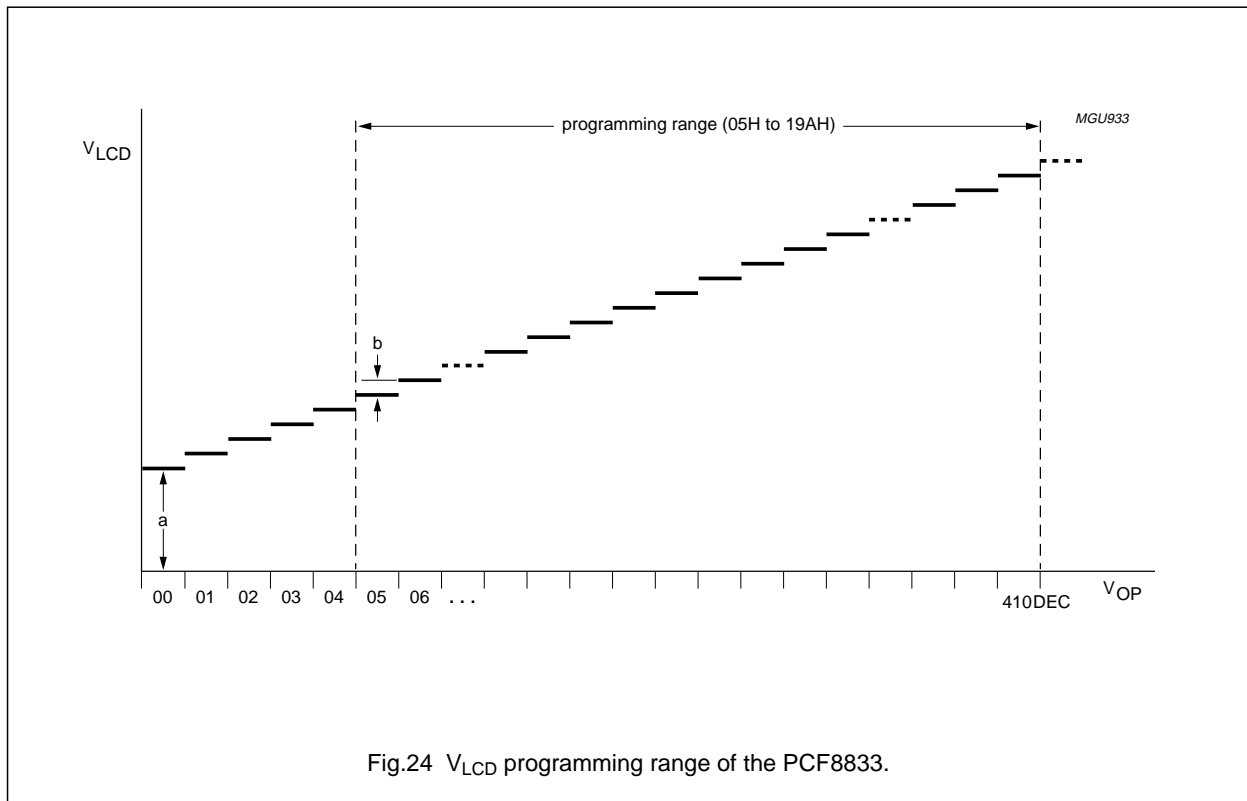
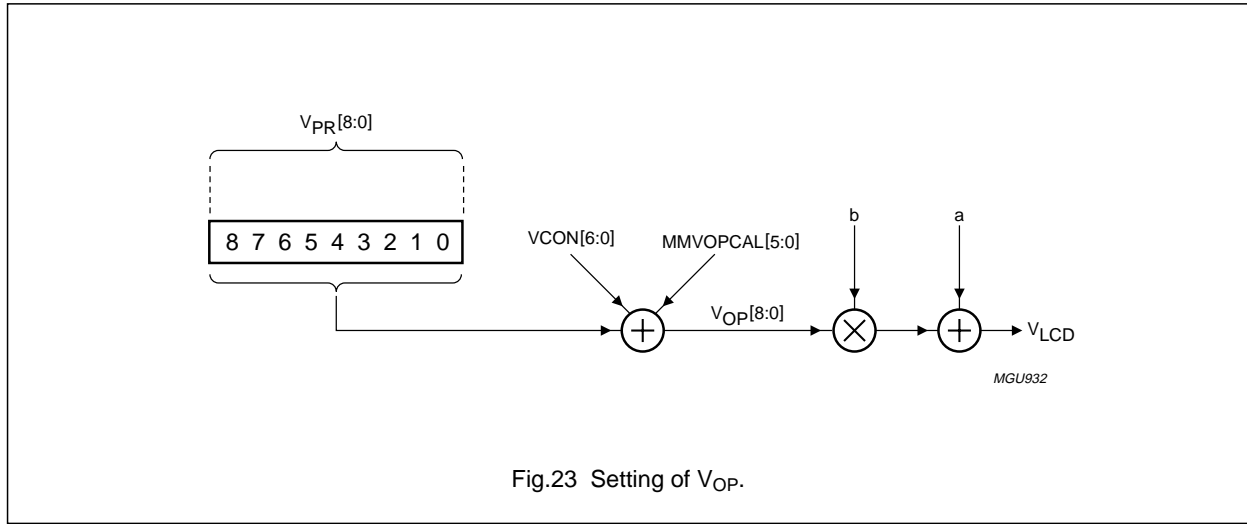
As the programming range for the internally generated V<sub>LCD</sub> allows values above the maximum allowed V<sub>LCD</sub> (20 V) the user has to ensure, while setting the V<sub>PR</sub> register and selecting the temperature compensation, that under all conditions and including all tolerances the V<sub>LCD</sub> remains below 20 V.

STN RGB - 132 × 132 × 3 driver

PCF8833

**Table 47** Parameters of  $V_{LCD}$

SYMBOL	VALUE	UNIT
b	0.04	V
a	3.6	V



## STN RGB - 132 × 132 × 3 driver

## PCF8833

## 6.2.32 BOTTOM ROW SWAP

The Bottom Row Swap (BRS) command enables the bottom rows of the PCF8833 to be swapped (mirrored) in order to make an optimum glass layout.

The function of the BRS command in combination with the function of the Top Row Swap (TRS) is illustrated in Figures 25, 26, 27 and 28. A description of the TRS function is given in Section 6.2.33.

The reset state of the BRS command is defined in Table 49.

**Table 48** Bottom row swap register bits

D/C	7	6	5	4	3	2	1	0	DEFAULT
0	1	0	1	1	0	1	0	BRS	B4H

**Table 49** Bottom row swap reset state

BIT	LOGIC 0 (RESET STATE)	LOGIC 1
BRS	bottom rows are not mirrored	bottom rows are mirrored

## 6.2.33 TOP ROW SWAP

The Top Row Swap (TRS) command enables the top rows of the PCF8833 to be swapped (mirrored) in order to make an optimum glass layout.

The function of the TRS command in combination with BRS is illustrated in Figures 25, 26, 27 and 28. The description of BRS function can be found in Section 6.2.32.

The reset state of the TRS command is given in Table 51.

**Table 50** Top row swap register bits

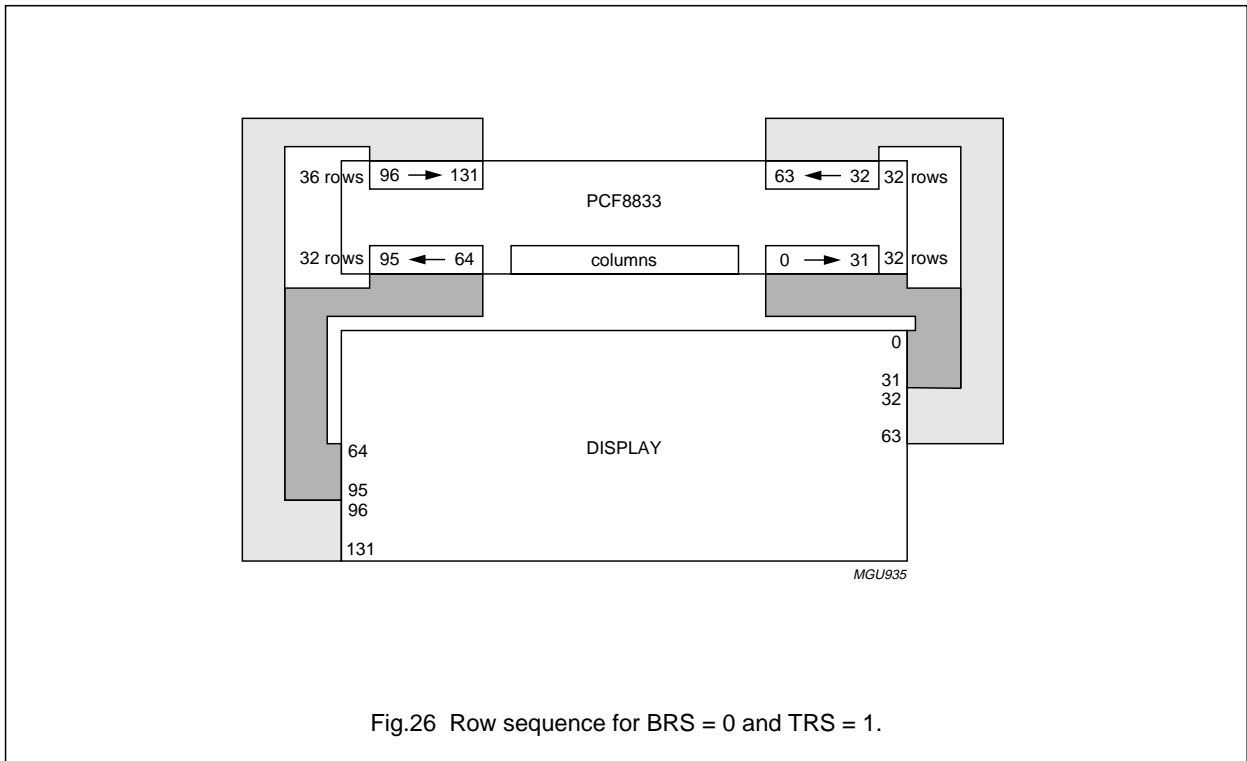
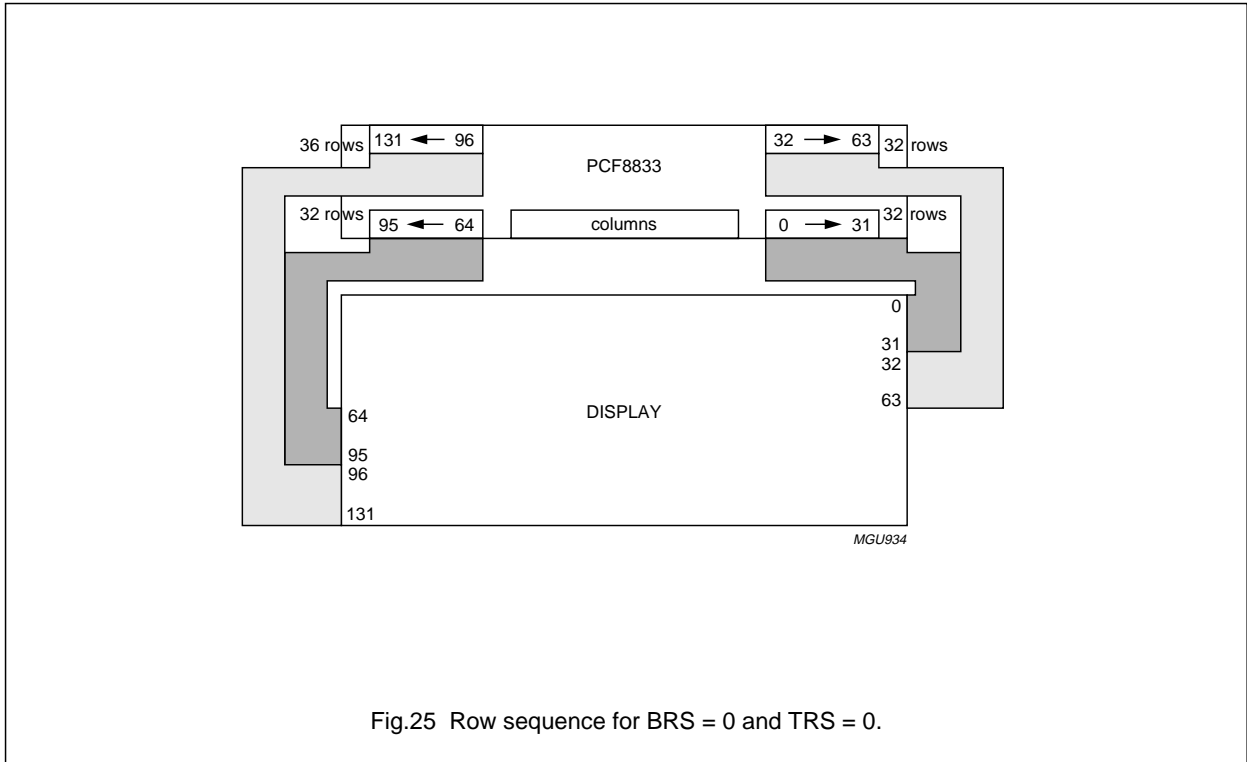
D/C	D7	D6	D5	D4	D3	D2	D1	D0	DEFAULT
0	1	0	1	1	0	1	1	TRS	B6H

**Table 51** Top row swap reset state

BIT	LOGIC 0 (RESET STATE)	LOGIC 1
TRS	top rows are not mirrored	top rows are mirrored

STN RGB - 132 × 132 × 3 driver

PCF8833





STN RGB - 132 × 132 × 3 driver

PCF8833

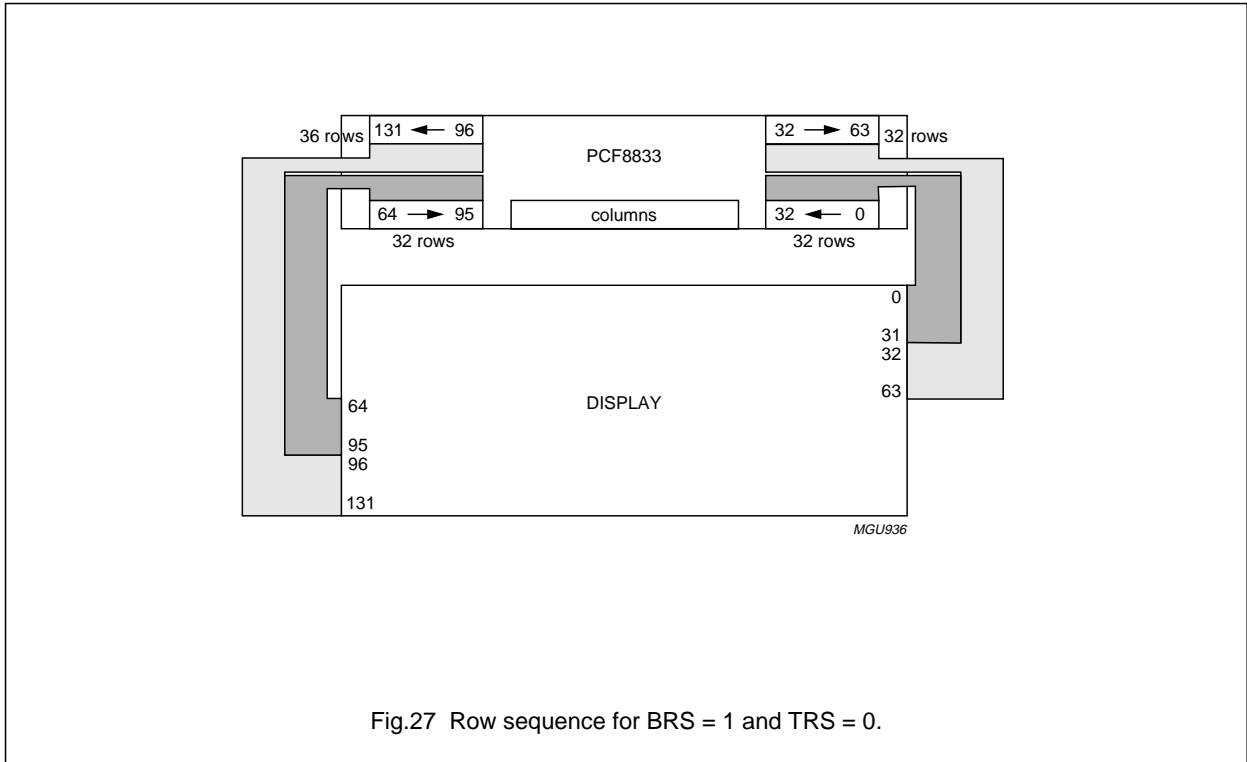


Fig.27 Row sequence for BRS = 1 and TRS = 0.

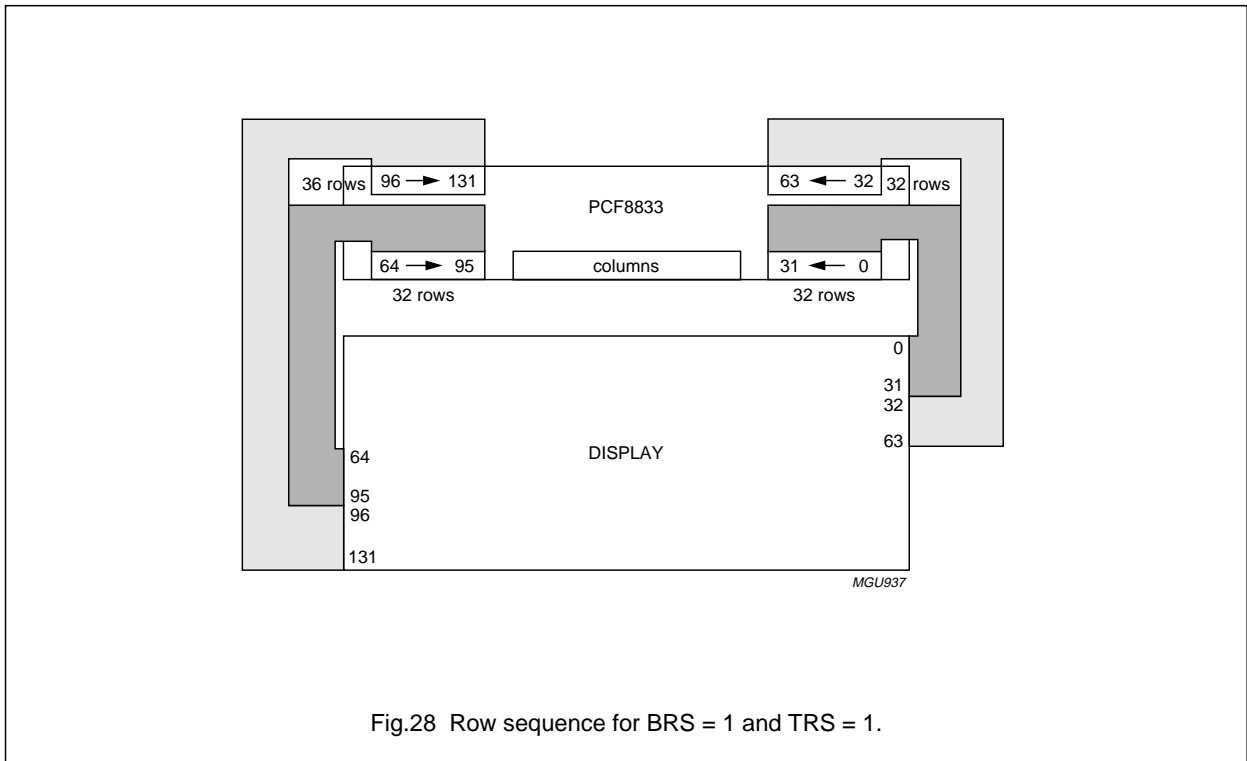


Fig.28 Row sequence for BRS = 1 and TRS = 1.

## STN RGB - 132 × 132 × 3 driver

## PCF8833

## 6.2.34 SUPER FRAME INVERSION

The Super frame inversion command (FINV), which is the inversion of the row functions after all rows are written to can be switched off for the PCF8833. When switched off, the inversion of the row functions will then only be done with N-line inversion. Inversion of the row functions is needed so as to avoid a DC component over the LCD display. A detailed description of the N-line inversion is given in Section 6.2.45.

The FINV control bit reset state is defined in Table 52.

**Table 52** Super frame inversion register bits

D/C	7	6	5	4	3	2	1	0	DEFAULT
0	1	0	1	1	1	0	0	FINV	B9H

**Table 53** Super frame inversion reset state

BIT	LOGIC 0	LOGIC 1 (RESET STATE)
FINV	super frame inversion is off	super frame inversion is on

## 6.2.35 DATA ORDER

The data order (DOR) of the data which will be written into the RAM can be changed (swapped).

The DOR command is explained and the reset state defined in Table 55.

**Table 54** Data order register bits

D/C	7	6	5	4	3	2	1	0	DEFAULT
0	1	0	1	1	1	0	1	DOR	BAH

**Table 55** Data order reset state

BIT	LOGIC 0 (RESET STATE)	LOGIC 1
DOR	normal data order	MSB/LSB transposed for RAM data

## 6.2.36 TEMPERATURE COMPENSATED FRAME FREQUENCY

The PCF8833 incorporates a temperature segmented frame frequency programming; see Section 6.2.41. This segmented frame frequency can be disabled by using the temperature compensated frame frequency (TCDFE) command.

The TCDFE control bit reset state is defined in Table 57.

When the non-segmented frame frequency is chosen, the frame frequency in segment B (DFB) is valid; see Section 6.2.41.

**Table 56** Temperature compensated frame frequency register bits

D/C	7	6	5	4	3	2	1	0	DEFAULT
0	1	0	1	1	1	1	0	TCDFE	BDH

## STN RGB - 132 × 132 × 3 driver

## PCF8833

**Table 57** Temperature compensated frame frequency reset state

BIT	LOGIC 0	LOGIC 1 (RESET STATE)
TCDFE	non-segmented frame frequency	segmented frame frequency

6.2.37 TEMPERATURE COMPENSATED  $V_{LCD}$ 

The PCF8833 incorporates a temperature segmented  $V_{OP}$  programming; see Section 6.2.40. By using the temperature compensated  $V_{LCD}$  (TCVOPE) command the temperature segmented  $V_{LCD}$  can be disabled.

The TCVOPE control bit reset state is defined in Table 59.

When the non-segmented  $V_{LCD}$  programming is chosen the LCD supply voltage is flat, i.e. no compensation over the specified temperature range (offset  $V_T$  in Fig.30 is 0).

The TCVOPE command is also used to read back the temperature via the interface; see Section 6.2.44.

**Table 58** Temperature segmented  $V_{LCD}$  register bits

D/C	7	6	5	4	3	2	1	0	DEFAULT
0	1	0	1	1	1	1	1	TCVOPE	BFH

**Table 59** Temperature segmented  $V_{LCD}$  reset state

BIT	LOGIC 0	LOGIC 1 (RESET STATE)
TCVOPE	no temperature compensated $V_{LCD}$	segmented temperature compensated $V_{LCD}$

## 6.2.38 INTERNAL OR EXTERNAL OSCILLATOR

The Internal/external oscillator (EC) command selects the internal or external oscillator. When an external oscillator is used the external clock signal has to be connected to the OSC pad; see Section 7.6.

The EC control bit reset state is defined in Table 61.

**Table 60** Internal/external oscillator register bits

D/C	7	6	5	4	3	2	1	0	DEFAULT
0	1	1	0	0	0	0	0	EC	COH

**Table 61** Internal/external oscillator reset state

BIT	LOGIC 0 (RESET STATE)	LOGIC 1
EC	internal oscillator	external clock applied

## STN RGB - 132 × 132 × 3 driver

## PCF8833

## 6.2.39 SET MULTIPLICATION FACTOR

The Set multiplication factor (SETMUL) command sets the multiplication factor of voltage multiplier 1. A detailed explanation of the LCD voltage supply architecture is given in Section 7.8.

The different multiplication factor settings for voltage multiplier 1 are given in Table 63.

**Table 62** Set multiplication factor register bits; note 1

D/C	D7	D6	D5	D4	D3	D2	D1	D0	DEFAULT
0	1	1	0	0	0	0	1	0	C2H
1	X	X	X	X	X	X	S1	S0	03H

**Note**

1. X = don't care.

**Table 63** Multiplication factor settings voltage multiplier

S1	S0	MULTIPLICATION FACTOR
0	0	2 × multiplication
0	1	3 × multiplication
1	0	4 × multiplication
1	1	5 × multiplication; note 1

**Note**

1. Reset state.

## 6.2.40 SET TCVOP SLOPES A, B, C AND D

The Set TCVOP slopes A, B, C and D (TCVOPAB and TCVOPCD) command splits the temperature range into 4 parts and can be programmed by using the following commands.

Due to the temperature dependency of the liquid crystals viscosity, the LCD controlling voltage  $V_{LCD}$  might have to be adjusted at different temperatures to maintain optimum contrast.

There are four equally spaced temperature regions. For each temperature region a different temperature coefficient can be selected. Each coefficient can be selected from a choice of eight different slopes, or multiplication factors (see Table 66) by setting TCVOPAB and TCVOPCD. The controlled  $V_{LCD}$  will not be changed linearly, but in 40 mV steps (parameter b in Table 47). Slopes SLA, SLB, SLC and SLD are overwritten by OTP values if these are set.

**Table 64** Set TCVOP slopes A and B register bits; note 1

D/C	7	6	5	4	3	2	1	0	DEFAULT
0	1	1	0	0	0	0	1	1	C3H
1	X	SLB <sub>2</sub>	SLB <sub>1</sub>	SLB <sub>0</sub>	X	SLA <sub>2</sub>	SLA <sub>1</sub>	SLA <sub>0</sub>	34H

**Note**

1. X = don't care.

## STN RGB - 132 × 132 × 3 driver

PCF8833

**Table 65** Set TCVOP slopes C and D register bits; note 1

D/C	7	6	5	4	3	2	1	0	DEFAULT
0	1	1	0	0	0	1	0	0	C4H
1	X	SLD <sub>2</sub>	SLD <sub>1</sub>	SLD <sub>0</sub>	X	SLC <sub>2</sub>	SLC <sub>1</sub>	SLC <sub>0</sub>	75H

**Note**

1. X = don't care.

**Table 66** Set TCVOP slopes multiplication factors; note 1

SLA[2:0] SLB[2:0] SLC[2:0] SLD[2:0]	MA MB MC MD	SLOPE
111	1.250	-53.33 mV/°C
110	1.000	-42.66 mV/°C
101	0.875	-37.33 mV/°C
100	0.750	-32.00 mV/°C
011	0.625	-26.66 mV/°C
010	0.500	-21.33 mV/°C
001	0.375	-16.00 mV/°C
000	0.250	-10.66 mV/°C

**Note**

1. For the reset state refer to Table 4. Values overwritten by OTP.

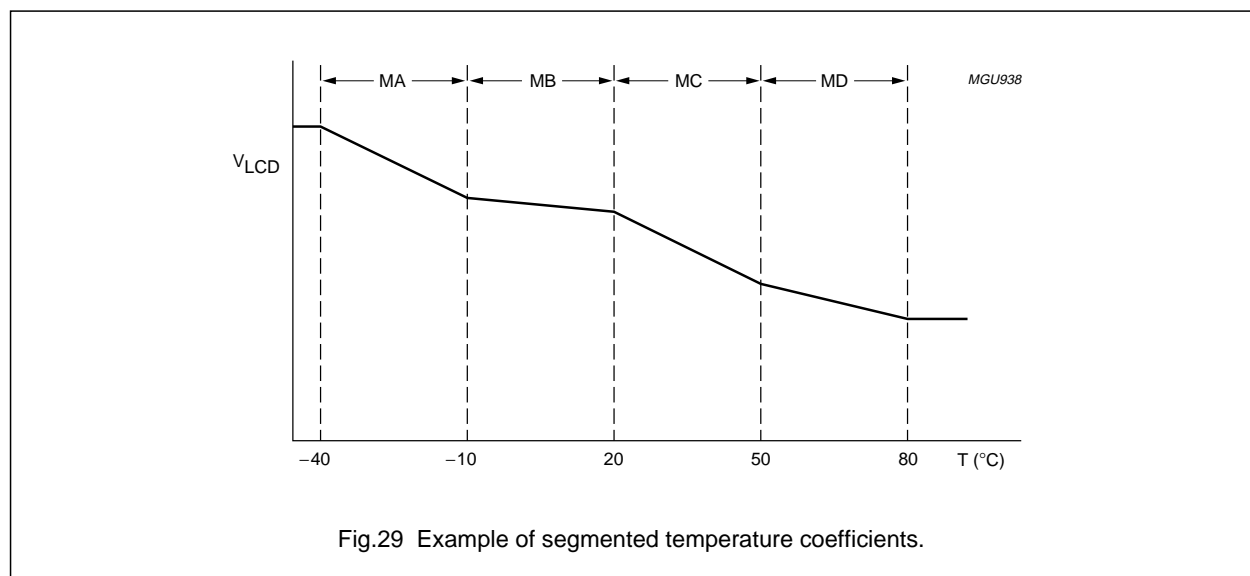


Fig.29 Example of segmented temperature coefficients.

STN RGB - 132 × 132 × 3 driver

PCF8833

Temperature compensation is implemented by adding an offset to the  $V_{OP}$  value. Previously, in Section 6.2.31,  $V_{OP}$  was calculated by adding  $V_{PR}$ ,  $V_{CON}$  and  $MMVOPCAL$  settings together. Now, an additional offset  $V_T$  is added.

The final result for  $V_{LCD}$  calculation is a 9-bit positive number. Care must be taken by the user to ensure that the ranges of  $V_{PR}$ ,  $MMVOPCAL$ ,  $V_{CON}$  and temperature compensation do not cause clipping, and hence undesired results (see Fig.24). The adders will not permit overflow or underflow and will clamp results to either end of the range ( $V_{OP} = 0$  or 445). Also, temperatures outside the range  $-40$  to  $+79$  °C will be clamped to the last valid offset.

The temperature readout generates an 8-bit result  $TD[7:0]$ . This temperature readout number is used for temperature compensation.

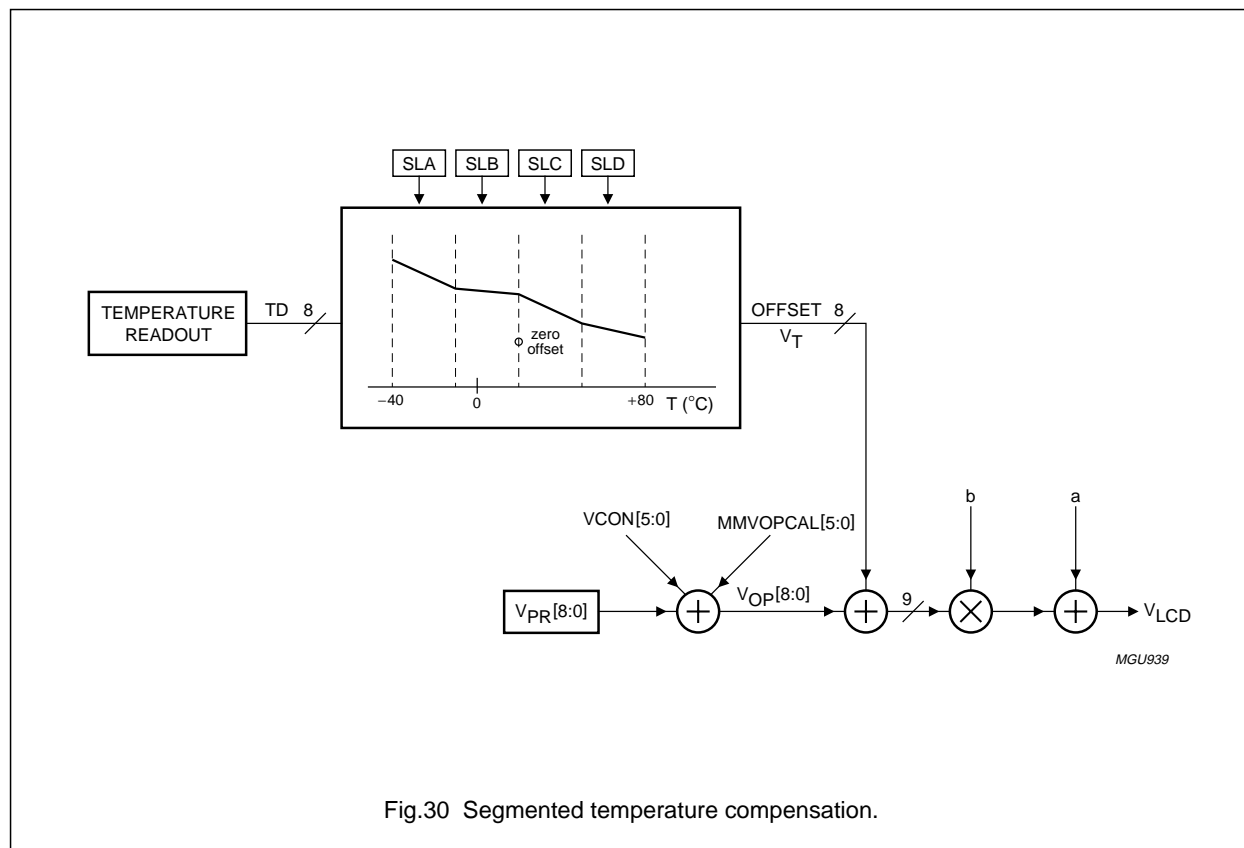
The resolution of the readout is  $(-40 \text{ to } +80 \text{ °C})/128 = 0.9375 \text{ °C/LSB}$ ; where 0 represents  $-40$  °C and 127 represents  $+79$  °C; see Section 6.2.44.

The temperature readout function can also be used to read back the temperature value via the interface; see equation (12).

The offset value may be calculated from Table 67. The effect on  $V_{LCD}$  can be calculated by multiplying the offset value with the value of  $b$ .

For example  $T = -8$  °C:  $TD = 34$  and  $MB = 0.5$ :  
 $V_{LCD(OS)} = 40 \text{ mV} \times (64 - 34) \times 0.5 = 600 \text{ mV}$ .

A complete overview of the programming range of  $V_{LCD}$  can be found in Section 15.1.



## STN RGB - 132 × 132 × 3 driver

## PCF8833

**Table 67** Offset value

TEMPERATURE RANGE	TD EQUIVALENT	OFFSET EQUATION VT
<-40 °C	0	$32 \times (MB + MA)$
-40 °C to < -10 °C	0 to 31	$(32 \times MB) + MA \times (32 - TD)$
-10 to < 20 °C	32 to 63	$(64 - TD) \times MB$
20 °C to < 50 °C	64 to 95	$-(TD - 64) \times MC$
50 to < 80 °C	96 to 127	$-((32 \times MC) + MD \times (TD - 96))$
≥80 °C	>127	$-(32 \times MC + 31 \times MD)$

## 6.2.41 FRAME FREQUENCY PROGRAMMING

The PCF8833 incorporates temperature segmented Frame frequency programming (TCDF). The temperature range is split into 4 areas as shown in Fig.31.

In each of the segments a Division Factor (DF) can be programmed which determines the Frame Frequency (FF). In equation (2) the frame frequency can be calculated from a given division factor.

$$FF = \frac{1}{DF} \times f_{osc}$$

(2)

Where  $f_{osc}$  is the oscillator frequency which is defined in Chapter 13.

The Divider Factor (DF) is a 7-bit number so the upper programming range is limited to 127DEC resulting in a minimum frame frequency of 35.8 Hz. The lower programming range is limited to 20DEC resulting in a maximum frame frequency of 227 Hz. The frame frequency is derived from the built-in oscillator, and thus the tolerance of the frame frequency has the same ratio as that given for the oscillator frequency; see Chapter 13.

When Partial mode is selected (see Sections 6.2.10 and 6.2.23) the same segmented frame frequencies will be used as for the full Display mode.

**Table 68** Frame frequency programming register bits; note 1

D/C	7	6	5	4	3	2	1	0	DEFAULT
0	1	1	0	0	0	1	0	1	C5H
1	X	DFA <sub>6</sub>	DFA <sub>5</sub>	DFA <sub>4</sub>	DFA <sub>3</sub>	DFA <sub>2</sub>	DFA <sub>1</sub>	DFA <sub>0</sub>	38H
1	X	DFB <sub>6</sub>	DFB <sub>5</sub>	DFB <sub>4</sub>	DFB <sub>3</sub>	DFB <sub>2</sub>	DFB <sub>1</sub>	DFB <sub>0</sub>	35H
1	X	DFC <sub>6</sub>	DFC <sub>5</sub>	DFC <sub>4</sub>	DFC <sub>3</sub>	DFC <sub>2</sub>	DFC <sub>1</sub>	DFC <sub>0</sub>	30H
1	X	DFD <sub>6</sub>	DFD <sub>5</sub>	DFD <sub>4</sub>	DFD <sub>3</sub>	DFD <sub>2</sub>	DFD <sub>1</sub>	DFD <sub>0</sub>	25H

**Note**

1. X = don't care.

## STN RGB - 132 × 132 × 3 driver

## PCF8833

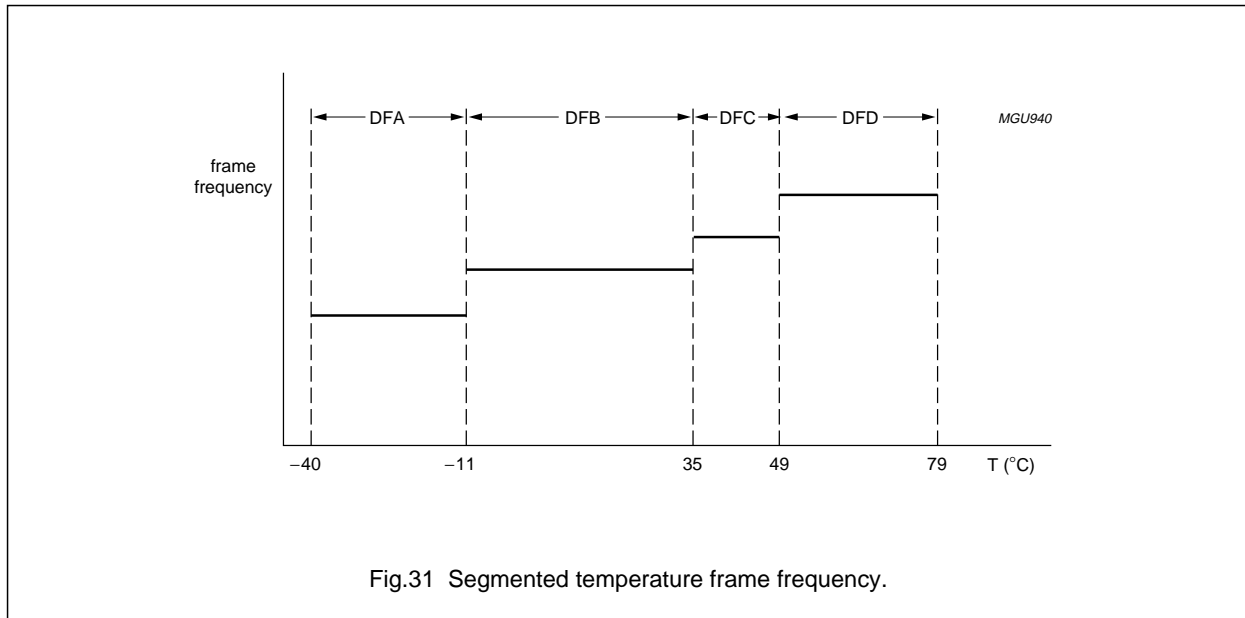


Fig.31 Segmented temperature frame frequency.

## 6.2.42 FRAME FREQUENCY PROGRAMMING IN 8-COLOUR MODE

When the Idle mode is selected (see Section 6.2.29) the frame frequency is determined from division factor DF8. In the Idle mode the PCF8833 works in 8-colour mode and therefore a lower frame frequency can be chosen which will be the same over the whole temperature range. Calculation of the frame frequency and determining the division factor is the same as explained in Section 6.2.41.

When Partial mode is selected (see Sections 6.2.10 and 6.2.23) the same frame frequency will be used as for the full Display mode in Idle mode.

**Table 69** Frame frequency programming in 8-colour mode register bits; note 1

D/C	7	6	5	4	3	2	1	0	DEFAULT
0	1	1	0	0	0	1	1	0	C6H
1	X	DF8 <sub>6</sub>	DF8 <sub>5</sub>	DF8 <sub>4</sub>	DF8 <sub>3</sub>	DF8 <sub>2</sub>	DF8 <sub>1</sub>	DF8 <sub>0</sub>	35H

**Note**

1. X = don't care.

## 6.2.43 SET BIAS SYSTEM

The LCD supply voltage and the bias voltages, which can be chosen, depend on the Liquid Crystal (LC) that is used. In equation (3) the relationship between the  $V_{ON}/V_{OFF}$  ratio of LC parameters and the bias system (a) for a given display size (N) is given.

$$\frac{V_{ON}}{V_{OFF}} = \sqrt{\frac{a^2 + N + 2a}{a^2 + N - 2a}} \quad (3)$$



## STN RGB - 132 × 132 × 3 driver

## PCF8833

When the required bias system (a) is defined, the LCD supply voltage for a display size N can be determined; see equation (4).

$$V_{\text{LCD}} = 2a \times V_{\text{ON}} \times \sqrt{\frac{N}{P(a^2 + N + 2a)}} \quad (4)$$

The parameter P in equation (4) is the number of simultaneous selected rows. For the maximum number of rows of 132, P = 4 is chosen. When partial Display mode is selected the P value is set to 1 internally.

The bias voltages needed in a MRA LCD driver depends on the number of simultaneous selected rows (P). The bias voltages of the PCF8833 are given for P = 4 and P = 1; see Fig.32. In the PCF8833 the maximum column voltage (GMAX) is always lower or equal to the row voltage F.

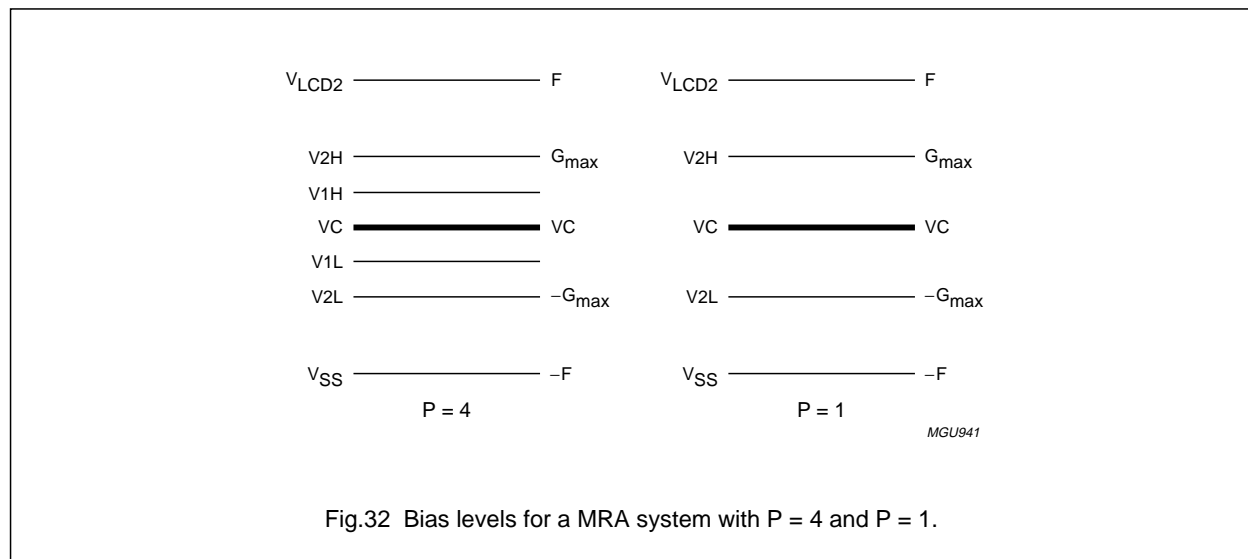


Fig.32 Bias levels for a MRA system with P = 4 and P = 1.

The bias voltage levels are a function of the row voltage F and a:

$$F = \frac{V_{\text{LCD}}}{2} \quad (5)$$

$$F \geq G_{\text{max}} \quad (6)$$

$$F = \frac{G_{\text{max}} \times a}{p} \quad (7)$$

$$\frac{F}{G_{\text{max}}} = \frac{a}{p} \quad (8)$$

Depending on the value of p, the bias levels are set in the ratio of:

$$p = 1: \alpha R - 2R - 2R - \alpha R$$

$$p = 4: \alpha R - R - R - R - \alpha R$$

Where the value of  $\alpha$  is in the range from 0 to 4.

The value of F is determined by  $(\alpha + 2) \times R$  and the value of  $G_{\text{max}}$  is determined by  $2 \times R$ .

The relationship between the ratio  $F/G_{\text{max}}$  and  $\alpha$ :

$$\frac{F}{G_{\text{max}}} = \frac{a}{p} = \frac{(\alpha + 2) \times R}{2 \times R} = \frac{(\alpha + 2)}{2} = 1 + \frac{\alpha}{2} \quad (9)$$

or:

$$\alpha = \left( \frac{F}{G_{\text{max}}} - 1 \right) \times 2 \quad (10)$$

The relation between a and  $\alpha$  for a given p is the following:

$$a = \left( \frac{\alpha}{2} + 1 \right) \times p \quad \alpha = \left( \frac{a}{p} - 1 \right) \times 2 \quad (11)$$

This leads to the following bias systems given in Table 70.

## STN RGB - 132 × 132 × 3 driver

## PCF8833

**Table 70** Bias system ratios

VB[3:0]	F/G <sub>max</sub>	α	a	
			P = 1 (N = 32) <sup>(1)</sup>	P = 4 (N = 132) <sup>(1)</sup>
0000	1.000	0.00	not allowed	not allowed
0001	1.250	0.50		
0010	1.375	0.75		
0011	1.500	1.00		
0100	1.625	1.25	1.500	
0101	1.750	1.50	1.625	
0110	1.875	1.75	1.750	
0111	2.000	2.00	1.875	8.0
1000	2.125	2.25	2.000	8.5
1001	2.250	2.50	2.125	9.0
1010	2.375	2.75	2.250	9.5
1011	2.500	3.00	2.375	10.0 <sup>(2)</sup>
1100	2.625	3.25	2.500	not allowed
1101	2.750	3.50	2.625	
1110	2.875	3.75	2.750	
1111	3.000	4.00	2.875	
			3.000	

**Notes**

- For Partial mode internally P = 1 is set, otherwise P = 4 is selected. Limitations for Partial mode given in Section 6.2.43.2 for respectively for full Display mode given in Section 6.2.43.1 have to be taken into account.
- Reset state.

**Table 71** Set bias system register bits; note 1

D/C	7	6	5	4	3	2	1	0	DEFAULT
0	1	1	0	0	0	1	1	1	C7H
1	X	X	X	X	VB <sub>3</sub>	VB <sub>2</sub>	VB <sub>1</sub>	VB <sub>0</sub>	0BH

**Note**

- X = don't care.

**6.2.43.1 Limitations on bias voltages in Normal mode**V<sub>DD1</sub>: 1.5 to 3.3 VV<sub>LCD1</sub>: 5.5 to 11 VV<sub>LCD2</sub>: 10 to 20 V(V<sub>LCD2</sub> - V<sub>LCD1</sub>): 4.5 to 9 V

$$\left(\frac{V_{LCD2}}{2} - V_{LVD1}\right) = 0 \text{ to } 1 \text{ V}$$

but for V<sub>LCD2</sub>: 10 to 11 V:

$$\left(\frac{V_{LCD2}}{2} - V_{LCD1}\right) = 0 \text{ to } 0.5 \text{ V}$$

**6.2.43.2 Limitations on bias voltages in Partial mode**V<sub>DD1</sub>: 1.5 to 3.3 VV<sub>LCD1</sub>: 2.9 to 12 VV<sub>LCD2</sub>: 3.8 to 12 V

$$(V_{LCD2} - V_{LCD1})_{\max} = 0.5 \text{ V}$$

## STN RGB - 132 × 132 × 3 driver

## PCF8833

## 6.2.44 TEMPERATURE READBACK

The PCF8833 has a built-in temperature readback (RDTEMP) measurement device. The measured value is provided as an 8-bit digital value TD[7:0] which can be read back via the interface.

The temperature can be determined from TD[7:0] using the following formula:

$$T = (0.9375 \times TD - 40)^\circ\text{C} \quad (12)$$

Temperature measurements are started automatically every ten seconds when the digital temperature compensation is active (default).

A measurement can be initiated by sending the instruction to set TCVOPE (to either logic 1 or logic 0), irrespective of whether temperature compensation is disabled or not.

After initialization, the measurement will take approximately 5 ms to complete. It is recommended to read the register twice to qualify the returned result, especially if the measurement is triggered automatically.

The input and output data format for the temperature readback is given in Table 73.

**Table 72** Temperature readback register bits

D/C	7	6	5	4	3	2	1	0	DEFAULT
0	1	1	0	1	1	0	0	0	C8H

**Table 73** Temperature readback data format

SYMBOL	D/C	7	6	5	4	3	2	1	0	DEFAULT
(S)DIN	0	1	1	0	1	1	0	0	0	C8H
(S)DOUT	–	TD[7]	TD[6]	TD[5]	TD[4]	TD[3]	TD[2]	TD[1]	TD[0]	XX

## 6.2.45 N-LINE INVERSION

The N-line inversion (NLI) command inverts the row functions after N-line row time slots in order to avoid a DC component on the LCD display. Thus, when N-line is set to 19DEC inversion of the row functions will occur after 76 rows.

With FINV = 1 (see Section 6.2.34) the super-frame inversion is active and the NLI counter always starts at super-frame start.

When FINV = 0 a DC voltage may remain on the display depending on the NLI setting. When FINV = 0 and NLI = 0 there is no inversion, which results in a DC voltage on the display.

**Table 74** N-line inversion register bits

D/C	7	6	5	4	3	2	1	0	DEFAULT
0	1	1	0	0	1	0	0	1	C9H
1	NLI <sub>7</sub>	NLI <sub>6</sub>	NLI <sub>5</sub>	NLI <sub>4</sub>	NLI <sub>3</sub>	NLI <sub>2</sub>	NLI <sub>1</sub>	NLI <sub>0</sub>	13H

**Table 75** N-line inversion

NLI[7:0]	DESCRIPTION
0000 0000	no N-line inversion (super frame inversion)
0000 0001	inversion after 4 rows in full Display mode or 1 row in Partial mode
0000 0010	inversion after 8 rows in full Display mode or 2 rows in Partial mode
:	:

## STN RGB - 132 × 132 × 3 driver

## PCF8833

## 6.2.46 READBACK

The PCF8833 can be identified when the readback commands (RDID1, RDID2 and RDID3) are sent via the interface. When the readback command is sent, the PCF8833 will send back an 8-bit number.

Depending on the SCLK speed the readback bit D7 might get corrupted. When the speed is reduced to at least half of the specified maximum speed, at least for the D7 bit, the transferred bit is valid.

ID1 is the manufacture ID and is hardwired in the PCF8833.

ID2 is the version ID and is programmed in the module maker OTP cells; see Chapter 15.

ID3 is the module ID and is programmed in the module maker OTP cells; see Chapter 15.

Table 76 RDID1 data format

SYMBOL	D/C	7	6	5	4	3	2	1	0	DEFAULT
(S)DIN	0	1	1	0	1	1	0	1	0	DAH
(S)DOUT	–	0	1	0	0	0	1	0	1	45H

Table 77 RDID2 data format; note 1

SYMBOL	D/C	7	6	5	4	3	2	1	0	DEFAULT
(S)DIN	0	1	1	0	1	1	0	1	1	DBH
(S)DOUT	–	X	X	X	X	X	X	X	X	80H

## Note

1. X = don't care.

Table 78 RDID3 data format; note 1

SYMBOL	D/C	7	6	5	4	3	2	1	0	DEFAULT
(S)DIN	0	1	1	0	1	1	1	0	0	DCH
(S)DOUT	–	X	X	X	X	X	X	X	X	03H

## Note

1. X = don't care.

## 6.2.47 ENABLE OR DISABLE FACTORY DEFAULTS (SFD)

The Enable or disable factory defaults (SFD) command will enable or disable the factory defaults stored in the MMOTP cells; see Section 15.2. These factory defaults can be set by the module maker. If the OTP bit EFD (enable factory defaults) has been set, these values can not be changed via the interface and the SFD command will have no effect. Otherwise, the data specified by commands will only be used if SFD is set to logic 0.

The reset state of the SFD is defined in Table 80.

Table 79 Enable/disable factory defaults register bits

D/C	7	6	5	4	3	2	1	0	DEFAULT
0	1	1	1	0	1	1	1	SFD	EFH

## STN RGB - 132 × 132 × 3 driver

## PCF8833

**Table 80** Enable/disable factory defaults reset state

BIT	LOGIC 0	LOGIC 1 (RESET STATE)
SFD	registers must be set via the interface	OTP programmed data is used

**7 FUNCTIONAL DESCRIPTION****7.1 MPU interfaces**

The PCF8833 can interface to a microcontroller with an 8-bit parallel or a serial interface to transmit both data and commands to the PCF8833.

**7.1.1 HARDWIRED INTERFACE SELECTION**

The selection of a given interface is done by setting pins PS0, PS1 and PS2 as shown in Table 81. Inputs PS1 and PS2 must be connected to  $V_{DD1}$  or  $V_{SS1}$ .

**Table 81** Interface selection; note 1

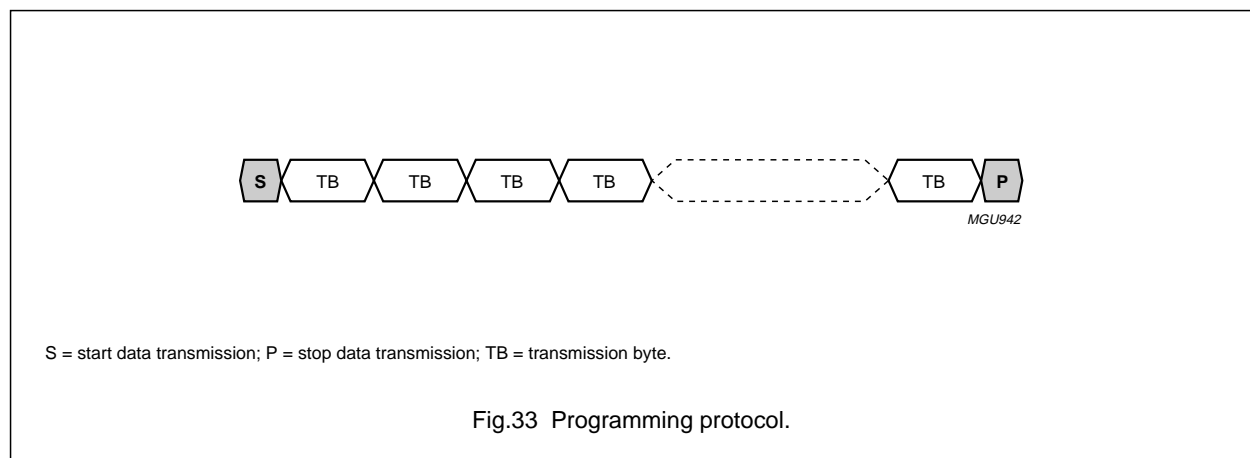
PS2	PS1	PS0	INTERFACE	READBACK SELECT
X	X	0	serial (3-line)	via the read instruction
X	X	1	8080 MPU basic	$\overline{RD}$ write strobe

**Note**

1. X = don't care.

**7.1.2 GENERAL PROTOCOL**

The generally supported protocol for programming the LCD driver is shown in Fig.33.



## STN RGB - 132 × 132 × 3 driver

## PCF8833

## 7.1.3 DISPLAY DATA FORMATTING

Different display data formats are available because different colour depths are supported by the PCF8833. The colour depths supported are as follows:

- 4 kbyte colours (12-bit/pixel), RGB 4 : 4 : 4 bits input; see Table 82. The data coming from the interface is directly stored in RAM.
- 65 kbyte colours (16-bit/pixel), RGB 5 : 6 : 5 bits input; see Table 83. The 16-bit data coming from the interface is mapped by means of dithering to 12-bit data. The dithered 12-bit data is then stored in the RAM.
- 256 colours (8-bit/pixel), RGB 3 : 3 : 2 bits input; see Table 84. The 8-bit data coming from the interface is mapped by means of the Look-Up Table (LUT) (see Section 6.2.22) to 12-bit data. The mapped 12-bit data is then stored in the RAM.

There are 3 bytes used to define 2 pixels with the 12-bit colour depth information; see Table 82. The most significant bits are R3, G3 and B3. Data is transferred to the RAM only when all the information i.e. RGB data of that particular pixel is sent.

There are 2 bytes used to transfer 1 pixel with the 16-bit colour depth information; see Table 83. The most significant bits are R4, G5 and B4. When the data transfer is stopped after the first write, the data is not transferred to the display data RAM. The 16-bit data coming from the interface is mapped by means of dithering to 12-bit data. The dithered 12-bit data is then stored in the RAM.

In one byte, 1 pixel is transferred with the 8-bit colour depth information; see Table 84. The most significant bits are R2, G2 and B1. The 8-bit data coming from the interface is mapped by means of a look-up table (see Section 6.2.22) to 12-bit data. The mapped 12-bit data is then stored in the RAM.

**Table 82** Write data for RGB 4 : 4 : 4 bits input

BYTE	D/C	7	6	5	4	3	2	1	0
1st write	1	R <sub>3</sub>	R <sub>2</sub>	R <sub>1</sub>	R <sub>0</sub>	G <sub>3</sub>	G <sub>2</sub>	G <sub>1</sub>	G <sub>0</sub>
2nd write	1	B <sub>3</sub>	B <sub>2</sub>	B <sub>1</sub>	B <sub>0</sub>	R <sub>3</sub>	R <sub>2</sub>	R <sub>1</sub>	R <sub>0</sub>
3rd write	1	G <sub>3</sub>	G <sub>2</sub>	G <sub>1</sub>	G <sub>0</sub>	B <sub>3</sub>	B <sub>2</sub>	B <sub>1</sub>	B <sub>0</sub>

**Table 83** Write data for RGB 5 : 6 : 5 bits input

BYTE	D/C	7	6	5	4	3	2	1	0
1st write	1	R <sub>4</sub>	R <sub>3</sub>	R <sub>2</sub>	R <sub>1</sub>	R <sub>0</sub>	G <sub>5</sub>	G <sub>4</sub>	G <sub>3</sub>
2nd write	1	G <sub>2</sub>	G <sub>1</sub>	G <sub>0</sub>	B <sub>4</sub>	B <sub>3</sub>	B <sub>2</sub>	B <sub>1</sub>	B <sub>0</sub>

**Table 84** Write data for RGB 3 : 3 : 2 bits input

BYTE	D/C	7	6	5	4	3	2	1	0
1st write	1	R <sub>2</sub>	R <sub>1</sub>	R <sub>0</sub>	G <sub>2</sub>	G <sub>1</sub>	G <sub>0</sub>	B <sub>1</sub>	B <sub>0</sub>

## 7.2 Display data RAM and access arbiter

### 7.2.1 DISPLAY DATA RAM

The PCF8833 has an integrated 132 × 132 × 12-bit single port static RAM. This 209 kbit memory allows a 132 × 132 (RGB) image with a 12-bpp resolution (4 kbyte colour) to be stored on-chip.

## STN RGB - 132 × 132 × 3 driver

## PCF8833

## 7.2.2 RAM ACCESS ARBITER

The function of the arbiter is to handle the data flow. If a write access is done on the RAM and a read access is requested at the same time, then the arbiter will ensure that there are no data collisions. Writing data to the RAM has priority. Therefore no handshaking is done at the interface side and the data can be applied to the interface without having data read/write errors on the RAM.

## 7.2.3 WR ADDRESS COUNTER

The address counter sets the addresses of the display data RAM for writing.

Data is written pixel wise into the RAM of the PCF8833. The data for one pixel is collected (RGB 4 : 4 : 4 bit) before it is written into the display data RAM. The RAM locations are addressed by the address pointers. The address ranges are  $X = 0$  to  $X = 131$  (83H) and  $Y = 0$  to  $Y = 131$  (83H). Addresses outside of these ranges are not allowed.

Before writing to the RAM a window must be defined into which data will be written. The window is programmable via the command registers  $x_s$  and  $y_s$  (designating the start address) and  $x_e$  and  $y_e$  (designating the end address).

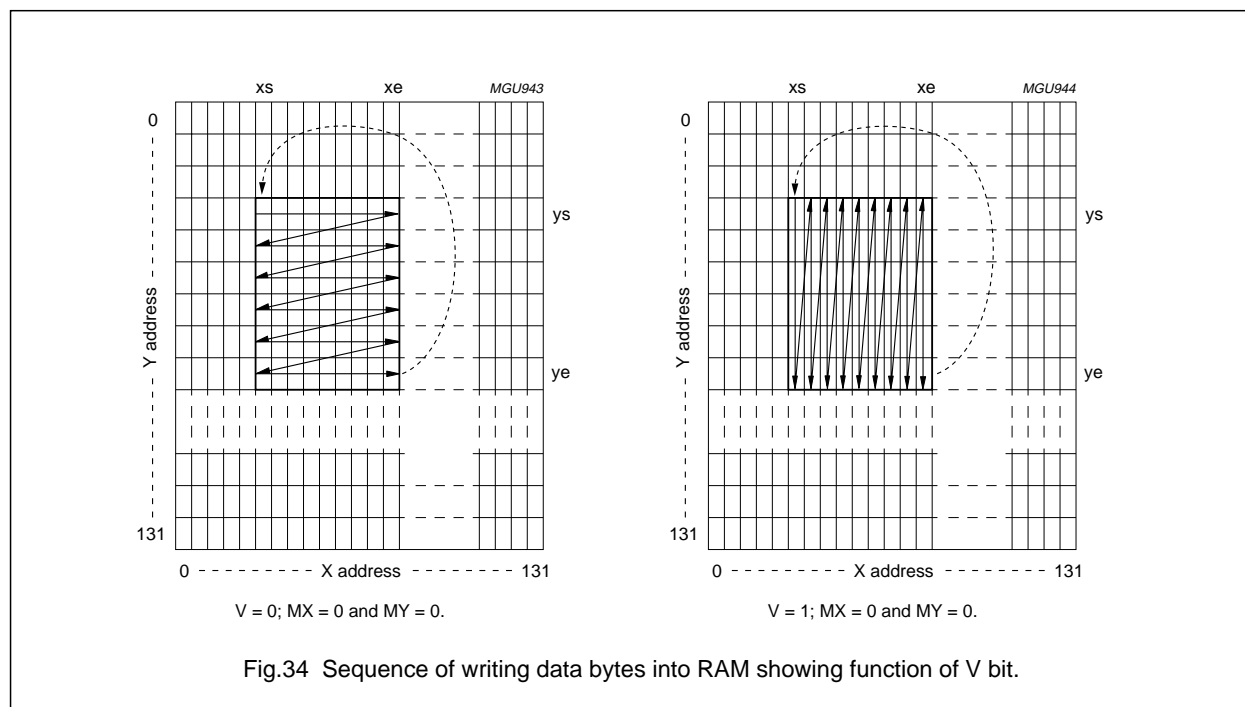
For example, if the whole display content is written, the window will be defined by the following values:  $x_s = 0$  (0H),  $y_s = 0$  (0H),  $x_e = 131$  (83H) and  $y_e = 131$  (83H).

In the vertical addressing mode ( $V = 1$ ), the Y address increments after each pixel. After the last Y address ( $Y = y_e$ ), Y wraps around to  $y_s$  and X increments to address the next column. In horizontal addressing mode ( $V = 0$ ), the X address increments after each pixel. After the last X address ( $X = x_e$ ), X wraps around to  $x_s$  and Y increments to address the next row. After the very last address ( $X = x_e$  and  $Y = y_e$ ) the address pointers wrap around to address ( $X = x_s$  and  $Y = y_s$ ).

For flexibility in handling a wide variety of display architectures, the command 'Memory Data Access Control (MADCTL)' (see Section 6.2.27) defines flags MX and MY, which allows mirroring of the X and Y addresses. All combinations of flags are allowed. Figures 34, 35 and 36 show the possible combinations of writing to the display RAM. When MX, MY and V is changed, the data must be re-written to the display RAM.

## 7.2.4 DISPLAY ADDRESS COUNTER

The display address counter generates the addresses for readout of the display data RAM.



STN RGB - 132 × 132 × 3 driver

PCF8833

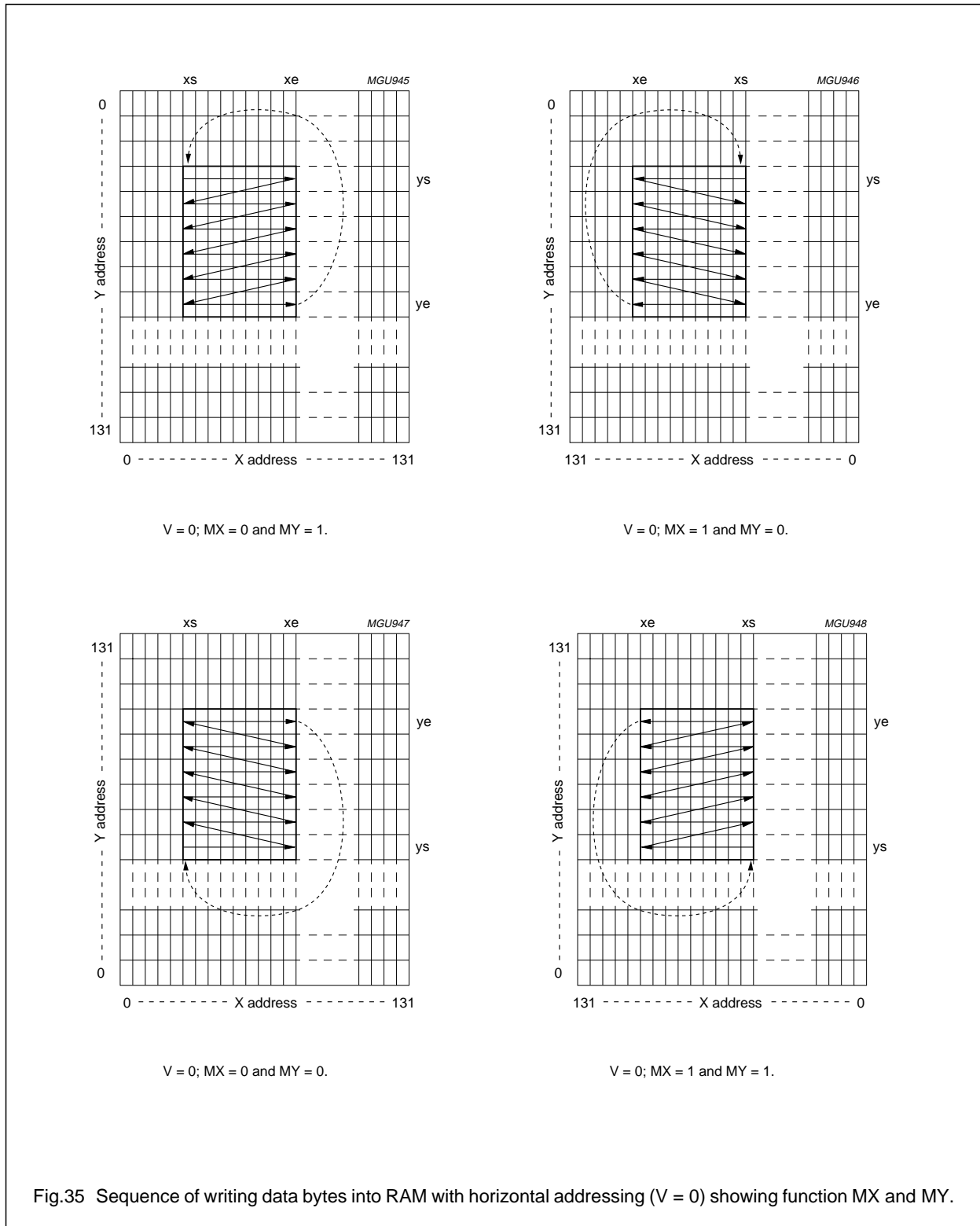


Fig.35 Sequence of writing data bytes into RAM with horizontal addressing ( $V = 0$ ) showing function MX and MY.



STN RGB - 132 × 132 × 3 driver

PCF8833

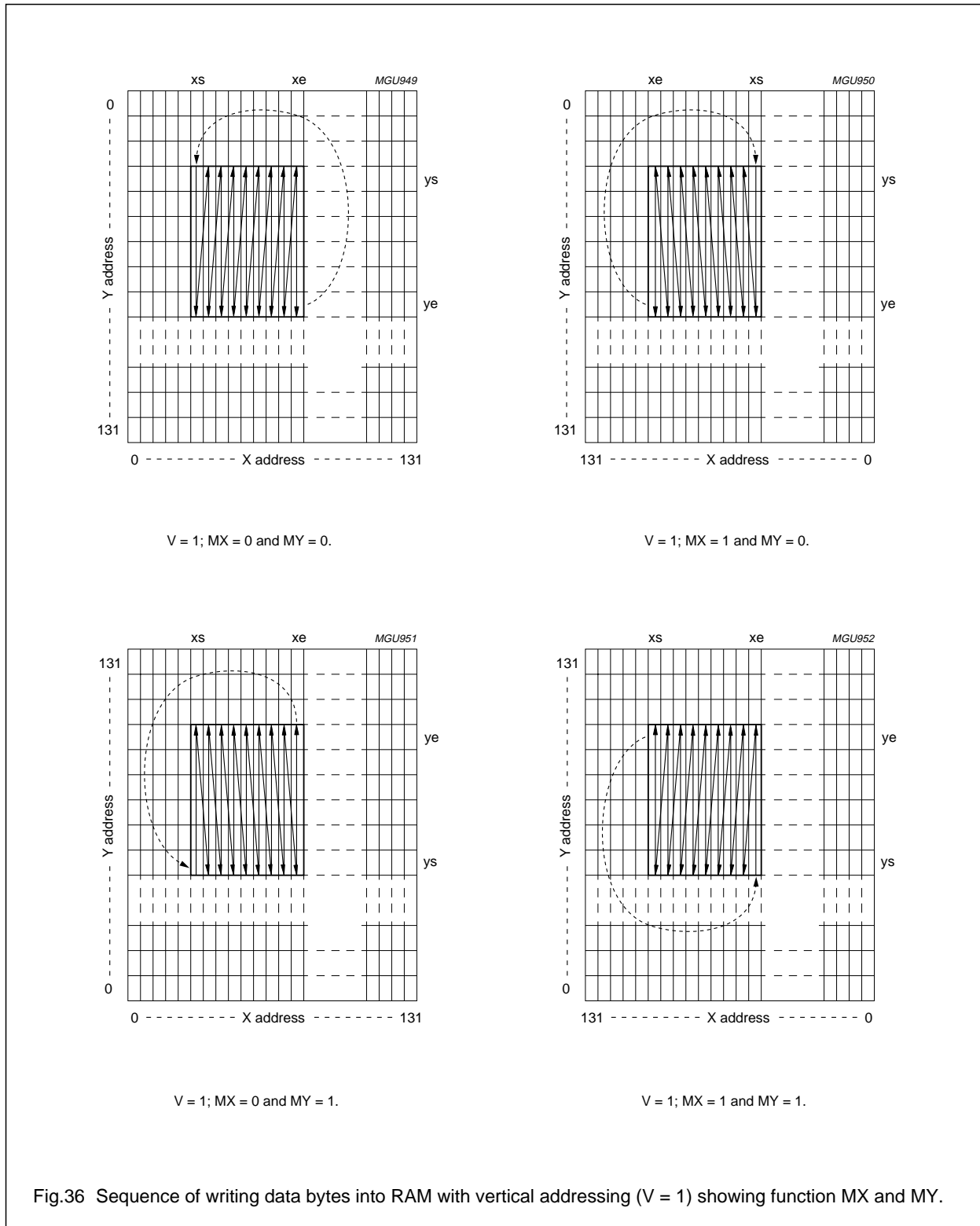


Fig.36 Sequence of writing data bytes into RAM with vertical addressing (V = 1) showing function MX and MY.

## STN RGB - 132 × 132 × 3 driver

## PCF8833

**7.3 Command decoder**

The command decoder identifies command words arriving at the interface and routes the following data bytes to their destination. The command set is given in Chapter 6.

**7.4 Grey scale controller**

For a grey scale driving scheme, Frame Rate Control (FRC) with carefully controlled mixing of the FRC pattern on each pixel is used. The special mixing ensures that the pattern placed on each pixel is different from each of its neighbours. In frame rate control 16 frames form together to produce a super-frame. All 16 frames have the same duration.

**7.5 Timing generator**

The timing generator produces the various signals required to drive the internal circuitry. Internal chip operation is not affected by operations on the data bus.

**7.6 Oscillator**

The on-chip oscillator provides the clock signal for the display system. No external components are required and the OSC input must be connected to  $V_{DD1}$ . An external clock signal, if used, is connected to the OSC input. In this case the internal oscillator must be switched off by a software command; see Section 6.2.38.

**7.7 Reset**

The chip has a hardware and a software reset. After power-up a hardware reset (pin  $\overline{RES}$ ) must be applied. The hardware and software reset give the same results. After a reset, the chip has the following state; see Section 6.2.2:

- All column and row outputs are set to  $V_{SS1}$  (display off)
- RAM data undefined
- Power-down mode
- Command register set to default states; see Table 4.

**7.8 LCD voltage generator and bias level generator**

The LCD voltage generator and the bias level generator is illustrated in Fig.37. The  $V_{LCD}$  is generated by means of two voltage multipliers, with voltage multiplier 1 being programmable; see Section 6.2.39.

Behaviour of voltage multiplier 2 depends on the mode. In the full Display mode, voltage multiplier 2 behaves as a doubler. In the partial Display mode voltage multiplier 2 feeds the voltage of  $V_{LCDIN1}$  directly to  $V_{LCDOUT2}$ .

The LCD voltage generator requires in total 9 external components (capacitors). The recommended values and voltage ranges for the external components are specified in Table 85. The given values should be referred to as information only. It is recommended to check how patterns with high load are displayed before finalizing the values.

The bias level generator generates the required bias levels according to the programmed bias systems; see Section 6.2.43.

To save power it is recommended to apply capacitors to bias level pads ( $V2H$ ,  $V1H$ ,  $VC$ ,  $V1L$  and  $V2L$ ) of approximately 1  $\mu F$ . A capacitor at  $VC$  pad is expected to be the most effective. Depending on the application of the  $VC$  capacitor it might be advantageous or even necessary to set the OPT bit  $VCBW = 1$ ; see Table 97 and Section 15.8.

**Table 85** External components

ITEM	CAPACITOR VALUE	VOLTAGE RANGE
C1 to C4; $C_{V_{LCD1}}$	1 to 4.7 $\mu F$	16 V
C5; $C_{V_{LCD2}}$	1 to 4.7 $\mu F$	25 V
$C_{V_{DD2}}$	1 to 4.7 $\mu F$	4.5 V
$C_{V_{DD1}}$	1 $\mu F$	3.3 V

STN RGB - 132 × 132 × 3 driver

PCF8833

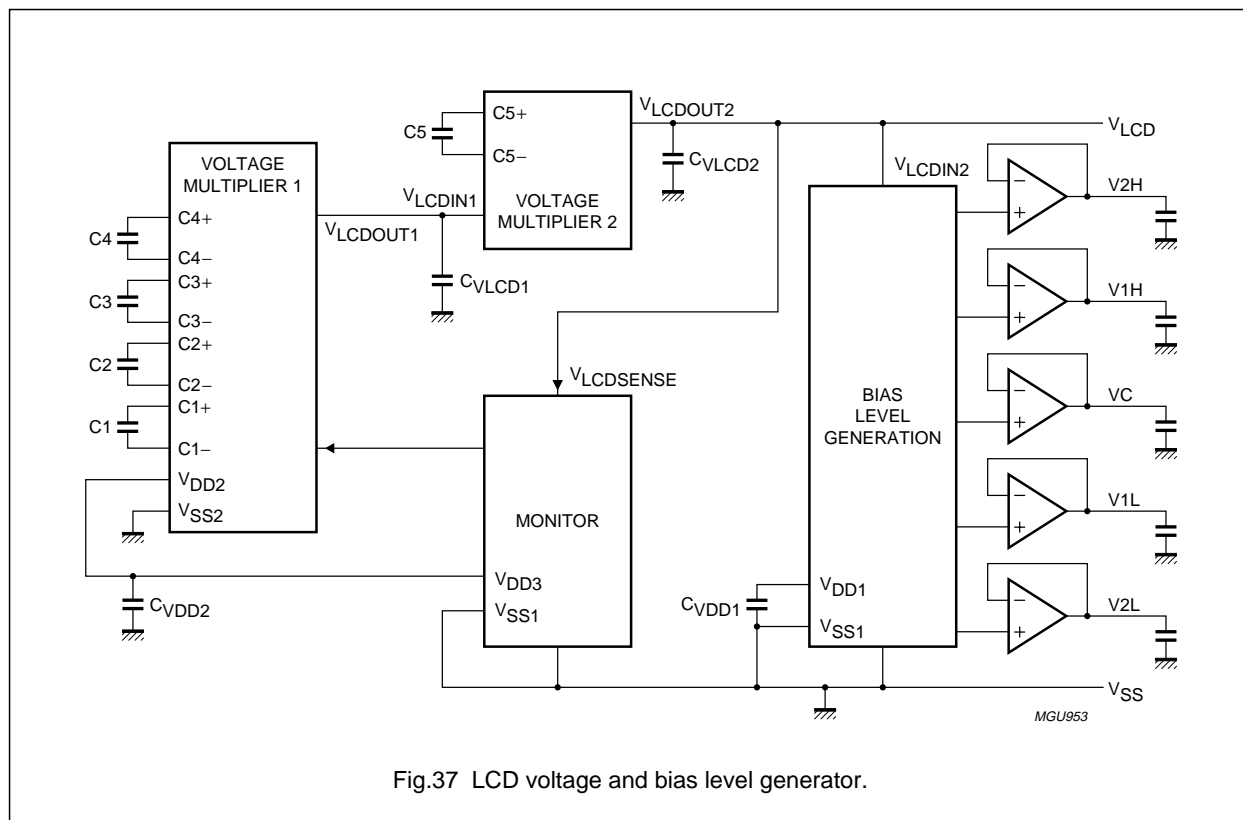


Fig.37 LCD voltage and bias level generator.

**7.9 Column drivers, data processing and data latches**

The column drivers section includes 132 × 3 column outputs (C0 to C395) which should be connected directly to the LCD. When less than 396 columns are required, the unused column outputs must be left open-circuit.

The column output signals are generated in the data processing block by reading out data from the display RAM and processing with the appropriate orthogonal function which represents the simultaneously selected rows.

**7.10 Row drivers**

The row drivers section includes 132 row outputs which should be connected directly to the LCD. When less than 132 rows are required the unused column outputs must be left open-circuit.

When the PCF8833 is operating in full Display mode, 4 rows are always selected simultaneously. In partial Display mode the active row output signals are selected one after the other.

**8 PARALLEL INTERFACE**

The 8080-series 8-bit bidirectional interface can be used for communication between the microcontroller and the PCF8833. The selection of this interfaces is done with pins PS2, PS1 and PS0; see Section 7.1.1.

The interface functions of the 8080-series parallel interface are given in Table 86.

**Table 86** 8080-series parallel interface function; note 1.

D/C	RD	WR	OPERATION
0	1	R	command write
1	1	R	command data write
1	1	R	display data write
0	R	1	read status register
1	R	1	none
1	R	R	forbidden

**Note**

1. R = rising edge.

STN RGB - 132 × 132 × 3 driver

PCF8833

When sending commands to the PCF8833 the  $\overline{D/\overline{C}}$  line must be pulled HIGH when the command data is transferred (see Fig.38). The same is valid when RAM data is sent to the PCF8833 (see Fig.39).

The PCF8833 can send data back to the microcontroller in 2 different ways. The protocol for the RDID1, RDID2, RDID3 and RDTEMP commands is illustrated in Fig.40. Descriptions of these commands is given in Chapter 6. When reading out RDTEMP it is recommended to read this data several times to validate the readout number.

When using the RDDIDIF (see Section 6.2.6) or RDDST (see Section 6.2.7) commands the PCF8833 sends 24 or 32 data bits respectively back to the microcontroller. The protocol for the RDDIDIF and RDDST commands is illustrated in Fig.41.

The parallel interface timing diagram is illustrated in Fig.52. For the dummy read cycle the time  $t_{ACC}$  is referenced to the rising edge of the  $\overline{RD}$  signal.

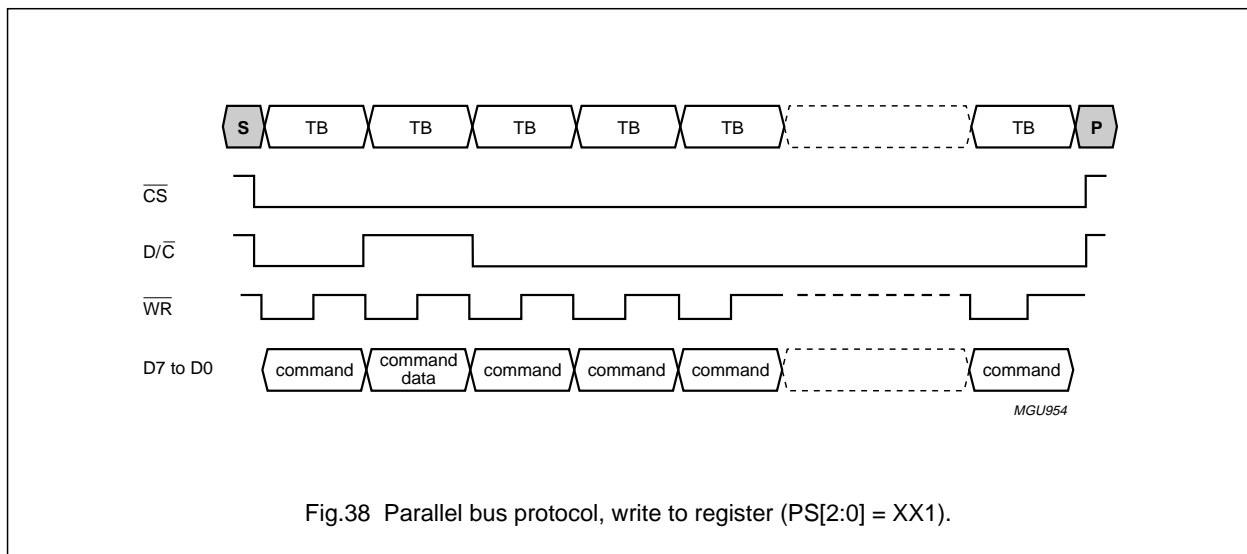


Fig.38 Parallel bus protocol, write to register (PS[2:0] = XX1).

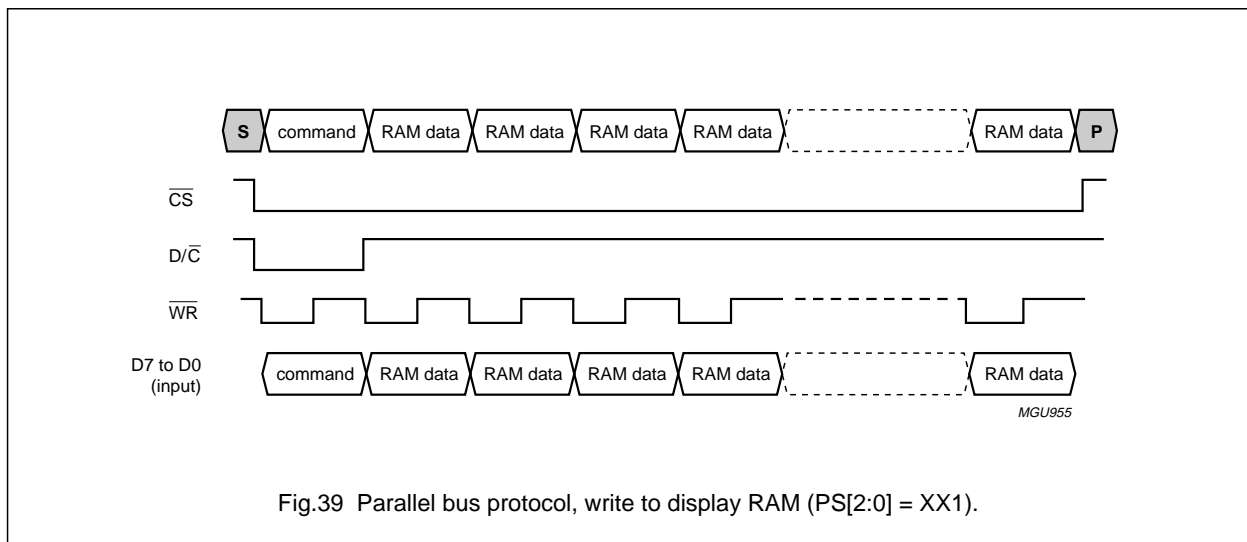
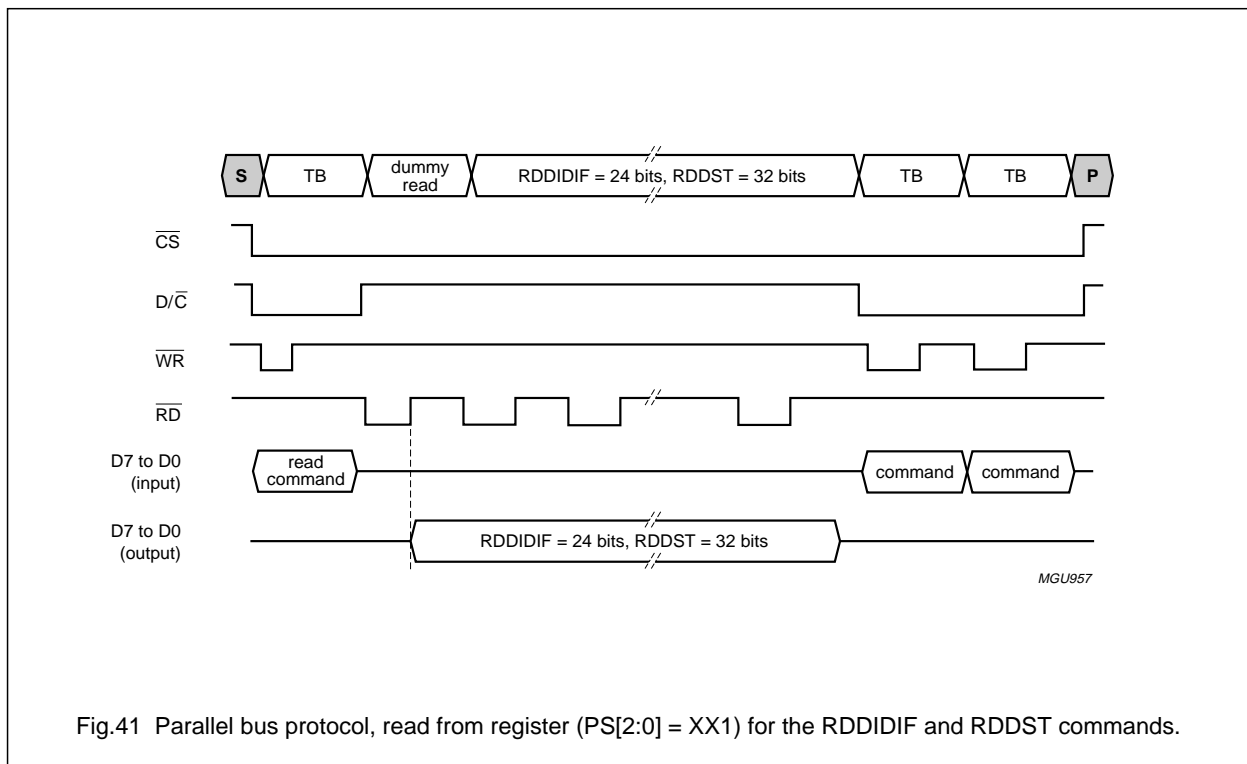
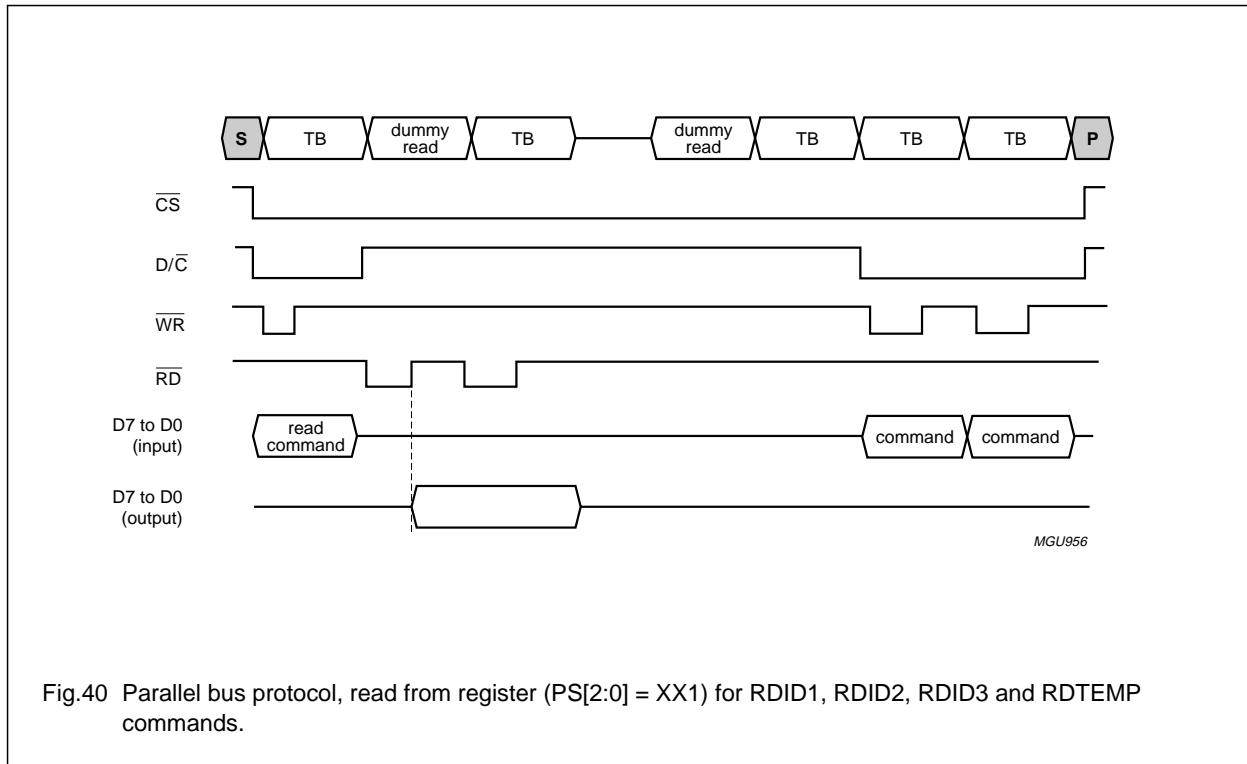


Fig.39 Parallel bus protocol, write to display RAM (PS[2:0] = XX1).

STN RGB - 132 × 132 × 3 driver

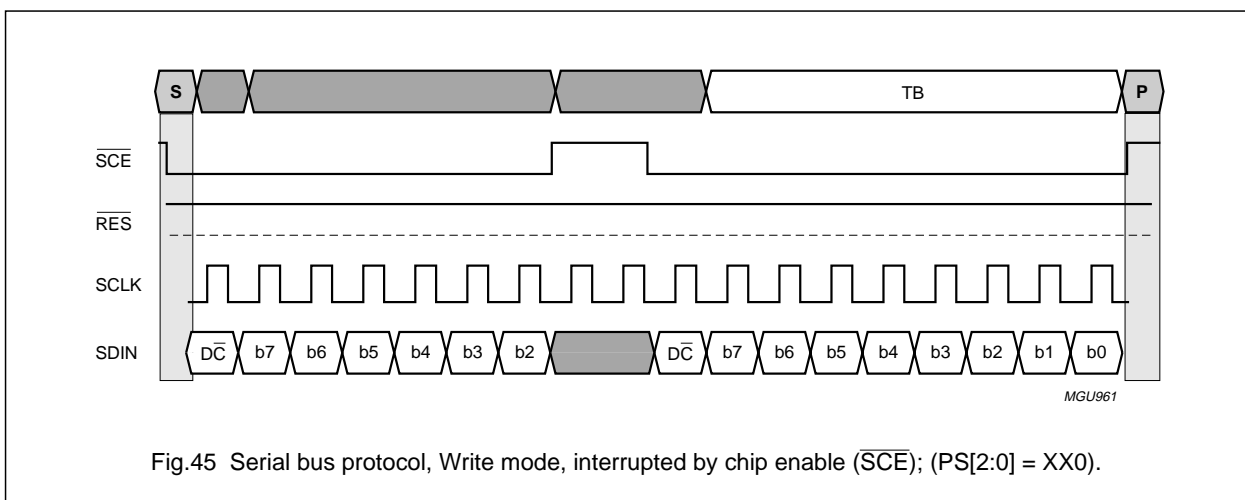
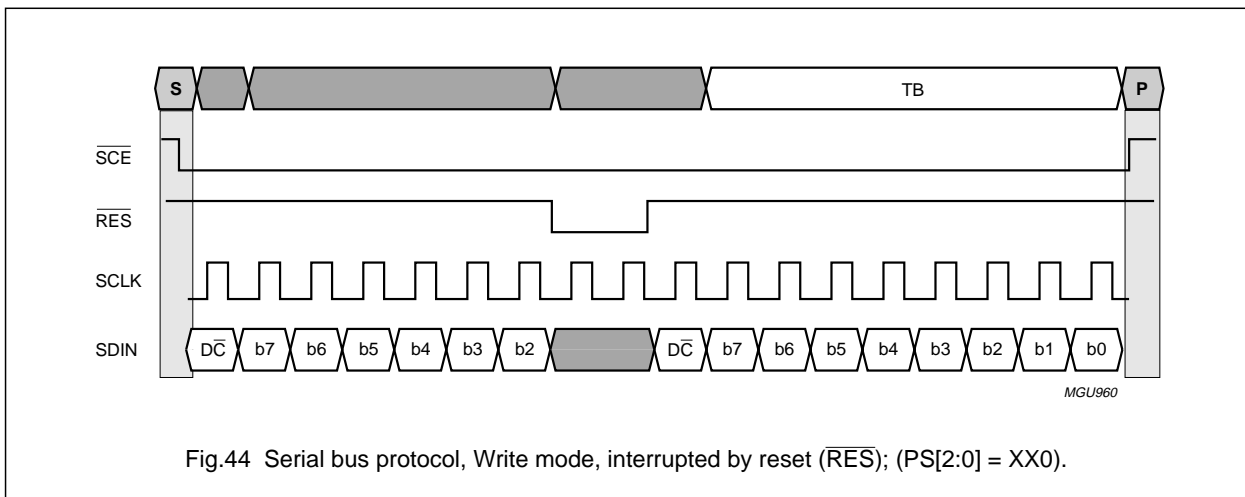
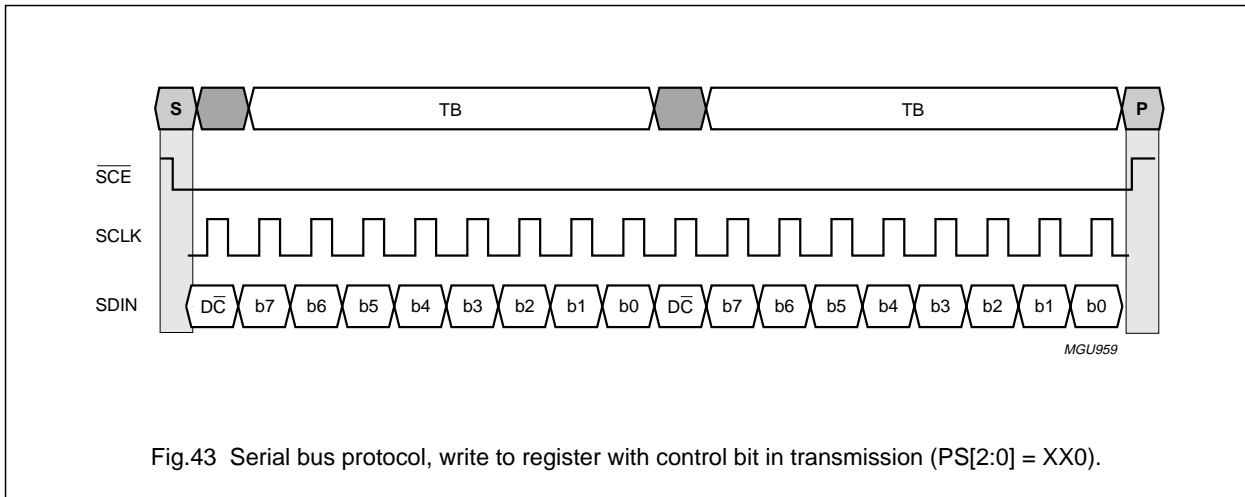
PCF8833





STN RGB - 132 × 132 × 3 driver

PCF8833



9.2 Read mode

The Read mode of the serial interface means that the microcontroller reads data from the PCF8833. The PCF8833 can send data back to the microcontroller in two different ways. The serial bus protocol for the RDID1, RDID2, RDID3 and RDTEMP commands is illustrated in Fig.46. Descriptions of these commands are given in Section 6.2. After a command has been issued, a byte is transmitted in the opposite direction (using SDOUT). In order to reach the timing characteristics as given in Chapter 13 data bit b7 must be handled as a don't care. When the speed of the clock is slowed down to at least half of maximum speed, at least for reading b7, the reading of data bit b7 is valid.

The PCF8833 samples the SDIN data at rising SCLK edges, but shifts SDOUT data at falling SCLK edges. Thus the microcontroller is supposed to read SDOUT data at rising SCLK edges.

After the read command has been sent, the SDIN line must be set to 3-state not later than the falling SCLK edge of the last bit (see Fig.46).

When using the RDDIDIF (see Section 6.2.6) or RDDST (see Section 6.2.7) commands the PCF8833 sends 24 or 32 data bits respectively back to the microcontroller. The serial bus protocols for the RDDIDIF and RDDST commands are illustrated in Figs. 47 and 48. After one of these commands has been sent 3 or 4 bytes respectively are transmitted in the opposite direction (using SDOUT) after one dummy clock cycle is given.

The 8th read bit is shorter than the others because it is terminated by the rising SCLK edge; see Figs 46, 47 and 48. The last rising SCLK edge sets SDOUT to 3-state.

The serial interface timing diagram is illustrated in Fig.51. For the dummy read cycle the time  $t_{ACC}$  is referenced to the rising edge of the SCLK signal.

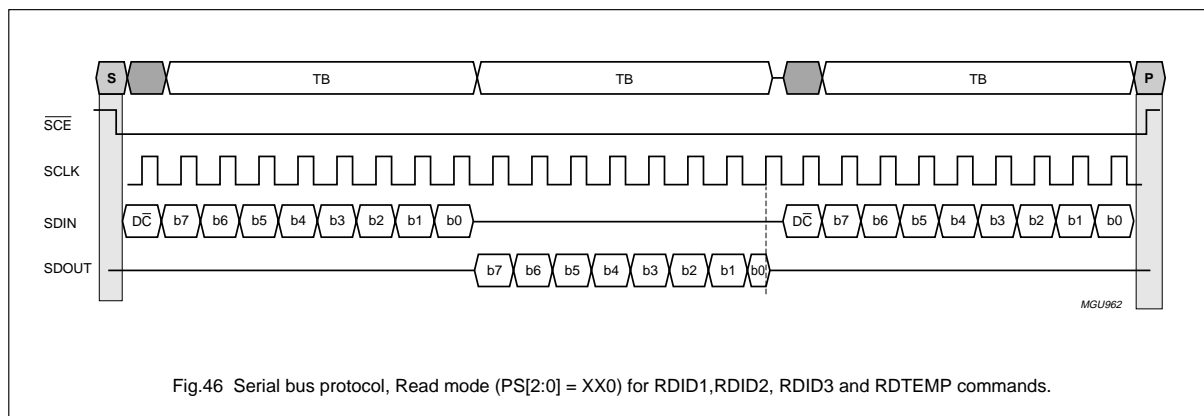
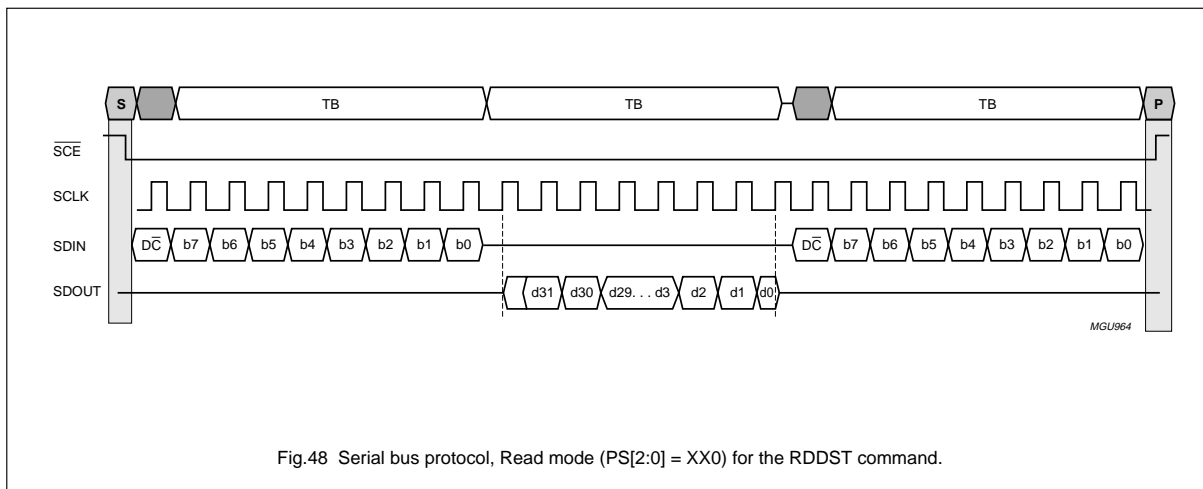
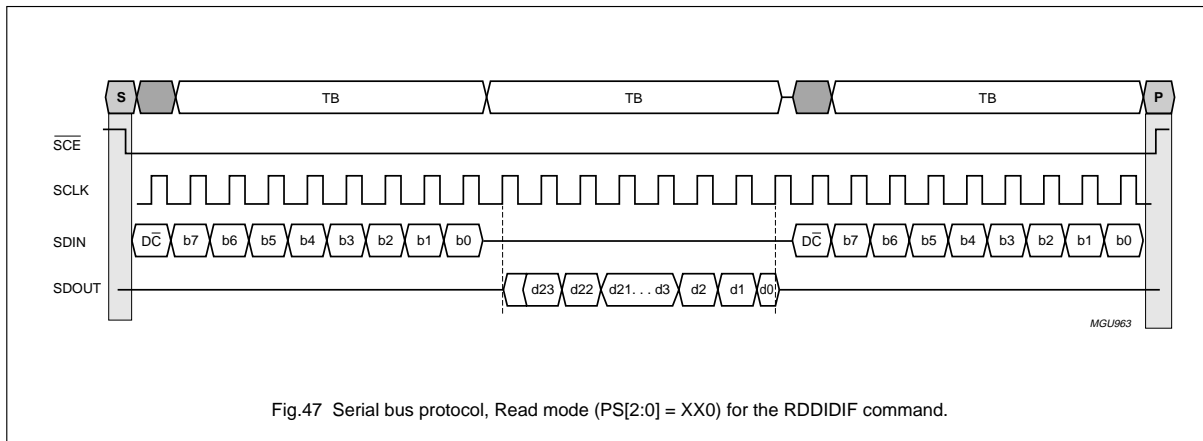


Fig.46 Serial bus protocol, Read mode (PS[2:0] = XX0) for RDID1,RDID2, RDID3 and RDTEMP commands.



STN RGB - 132 × 132 × 3 driver

PCF8833



## STN RGB - 132 × 132 × 3 driver

PCF8833

**10 LIMITING VALUES**

In accordance with the Absolute Maximum Rating System (IEC 60134); note 1.

SYMBOL	PARAMETER	MIN.	MAX.	UNIT
V <sub>SS2</sub>	system ground voltage	-0.5	+0.5	V
V <sub>DD1</sub>	logic supply voltage 1	-0.5	+4.0	V
V <sub>DD2</sub>	supply voltage 2 for the internal voltage generator	-0.5	+6.5	V
V <sub>DD3</sub>	analog supply 3 for the internal voltage generator	-0.5	+4.0	V
V <sub>LCDIN1</sub>	LCD supply voltage input 1	-0.5	+16	V
V <sub>LCDIN2</sub>	LCD supply voltage input 2	-0.5	+20	V
V <sub>LCDSENSE</sub>	voltage multiplier input voltage	-0.5	+20	V
V <sub>OTP(gate)</sub>	supply voltage 1 for OPT programming	-0.5	+10	V
V <sub>OTP(drain)</sub>	supply voltage 2 for OPT programming (V <sub>write</sub> )	-0.5	+10	V
I <sub>DDn</sub>	supply current at all V <sub>DD</sub> pins	-50	+50	mA
I <sub>SSn</sub>	negative supply current at all V <sub>SS</sub> pins	-50	+50	mA
V <sub>I</sub> , V <sub>O</sub>	input/output voltage except for row and column outputs	-0.5	V <sub>DD</sub> + 0.5	V
	output voltage for row and column outputs	-0.5	V <sub>LCD2</sub> + 0.5	V
I <sub>I</sub>	DC input current	-10	+10	mA
I <sub>O</sub>	DC output current	-10	+10	mA
P <sub>tot</sub>	total power dissipation	-	300	mW
T <sub>stg</sub>	storage temperature	-55	+125	°C
T <sub>j</sub>	junction temperature	-	125	°C

**Note**

- Parameters are valid over the operating temperature range; all voltages are referenced to V<sub>SS1</sub>; unless otherwise specified.

**11 HANDLING**

Inputs and outputs are protected against electrostatic discharge in normal handling. However, to be totally safe, it is recommended to take normal precautions appropriate to handling MOS devices (see "Handling MOS Devices").

## STN RGB - 132 × 132 × 3 driver

## PCF8833

**12 DC CHARACTERISTICS**

$V_{DD1} = 1.5$  to  $3.3$  V;  $V_{DD2} = V_{DD3} = 2.4$  to  $3.5$  V;  $V_{SS} = 0$  V;  $V_{LCD} = 3.8$  to  $20.0$  V;  $T_{amb} = -40$  to  $+85$  °C; unless otherwise specified.

SYMBOL	PARAMETER	CONDITIONS	MIN.	TYP.	MAX.	UNIT
<b>Supplies</b>						
$V_{DD1}$	logic supply voltage 1		1.5	–	3.3	V
$V_{DD2}$	supply voltage 2 for the internal voltage generator	note 1	2.4	–	4.5	V
$V_{DD3}$	supply voltage 3 for the internal voltage generator	note 1	2.4	–	3.5	V
$V_{LCDIN1}$	LCD supply voltage input 1	LCD input voltage 1 externally supplied (both voltage multipliers are disabled)	–	–	16.0	V
$V_{LCDIN2}$	LCD supply voltage input 2	LCD input voltage 2 externally supplied (both voltage multipliers are disabled)	–	–	20.0	V
$V_{LCDOUT1}$	LCD supply voltage output 1	LCD voltage internally generated with voltage multiplier 1 (voltage generator enabled); note 2	3.8	–	10.0	V
$V_{LCDOUT2}$	LCD supply voltage output 2	LCD voltage internally generated with voltage multiplier 2 (voltage generator enabled); note 2	3.8	–	20.0	V
$V_{LCD(tol)}$	tolerance of generated $V_{LCD}$	with calibration; note 3	–70	–	+70	mV
<b>Static current consumption</b>						
$I_{DD1}$	logic supply current	notes 5 and 6	–	1.5	5	μA
$I_{DD2}, I_{DD3}$	supply current for the internal voltage generator	notes 5 and 6	–	0.5	1	μA
<b>Dynamic current consumption</b>						
$I_{DD1}$	logic supply current	Normal mode; note 5	–	100	–	μA
$I_{DD1}$	logic supply current during RAM access	Normal mode; notes 5 and 7; see Fig.49	–	1000	–	μA
$I_{DD2}, I_{DD3}$	supply current for the internal voltage generator	Normal mode; note 5	–	tbf	–	μA
$I_{DD(tot)}$	total supply current ( $V_{DD1} + V_{DD2}, V_{DD3}$ )	Normal mode; note 5	–	tbf	–	μA
<b>Logic inputs and outputs</b>						
$V_{OL}$	LOW-level output voltage	$I_{OL} = 0.5$ mA	$V_{SS1}$	–	$0.2V_{DD1}$	V
$V_{OH}$	HIGH-level output voltage	$I_{OH} = -0.5$ mA	$0.8V_{DD1}$	–	$V_{DD1}$	V
$V_{IL}$	LOW-level input voltage		$V_{SS1}$	–	$0.3V_{DD1}$	V
$V_{IH}$	HIGH-level input voltage		$0.7V_{DD1}$	–	$V_{DD1}$	V
$I_L$	leakage current	$V_I = V_{DD1}$ or $V_{SS1}$	–1	–	+1	μA

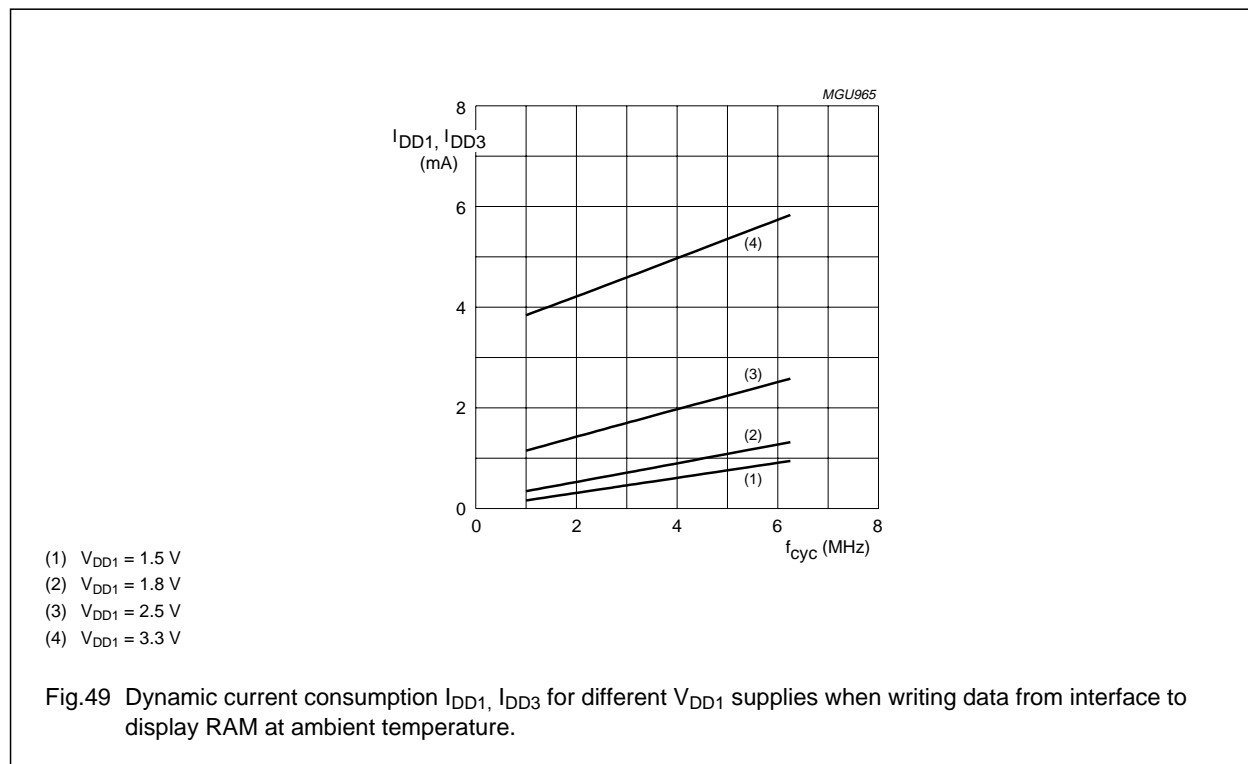
## STN RGB - 132 × 132 × 3 driver

## PCF8833

SYMBOL	PARAMETER	CONDITIONS	MIN.	TYP.	MAX.	UNIT
<b>Column and row outputs</b>						
$R_{o(col)}$	column output resistance C0 to C395	$V_{LCD2} = 10\text{ V}$	–	–	5	$k\Omega$
$R_{o(row)}$	row output resistance R0 to R131	$V_{LCD2} = 10\text{ V}$	–	–	5	$k\Omega$
$V_{bias(col)}$	bias tolerance C0 to C395		–100	0	100	mV
$V_{bias(row)}$	bias tolerance R0 to R131		–100	0	100	mV

**Notes**

- $V_{DD2}$  and  $V_{DD3}$  always have to be higher than or equal to  $V_{DD1}$ .
- The maximum possible  $V_{LCD}$  voltage that may be generated is dependent on supply voltage  $V_{DD2}$ , temperature and (display) load.
- Valid for values of temperature,  $V_{PR}$  and TC used at the calibration and with temperature calibration disabled.
- Power-save mode.
- Conditions are:  $V_{DD1} = 2.75\text{ V}$ ,  $V_{DD2} = 2.75\text{ V}$ ,  $V_{LCD2} = 13.9\text{ V}$ , voltage multiplier 1 at  $5 \times V_{DD2}$ , inputs at  $V_{DD1}$  or  $V_{SS1}$ , interface inactive, internal  $V_{LCD}$  generation,  $V_{LCD2}$  output is loaded by  $400\ \mu\text{A}$  and  $V_{LCD1}$  output is loaded by  $0\ \mu\text{A}$  and  $T_{amb} = 25\text{ }^\circ\text{C}$ .
- During power-down all static currents are switched off.
- $V_{DD1} = 1.8\text{ V}$  and interface cycle time  $T_{cyc} = 333\text{ ns}$ .



## STN RGB - 132 × 132 × 3 driver

## PCF8833

**13 AC CHARACTERISTICS**

$V_{DD1} = 1.5$  to  $3.3$  V;  $V_{DD2} = V_{DD3} = 2.4$  to  $3.5$  V;  $V_{SS1} = V_{SS2} = 0$  V;  $T_{amb} = -40$  to  $+85$  °C; note 1; unless otherwise specified.

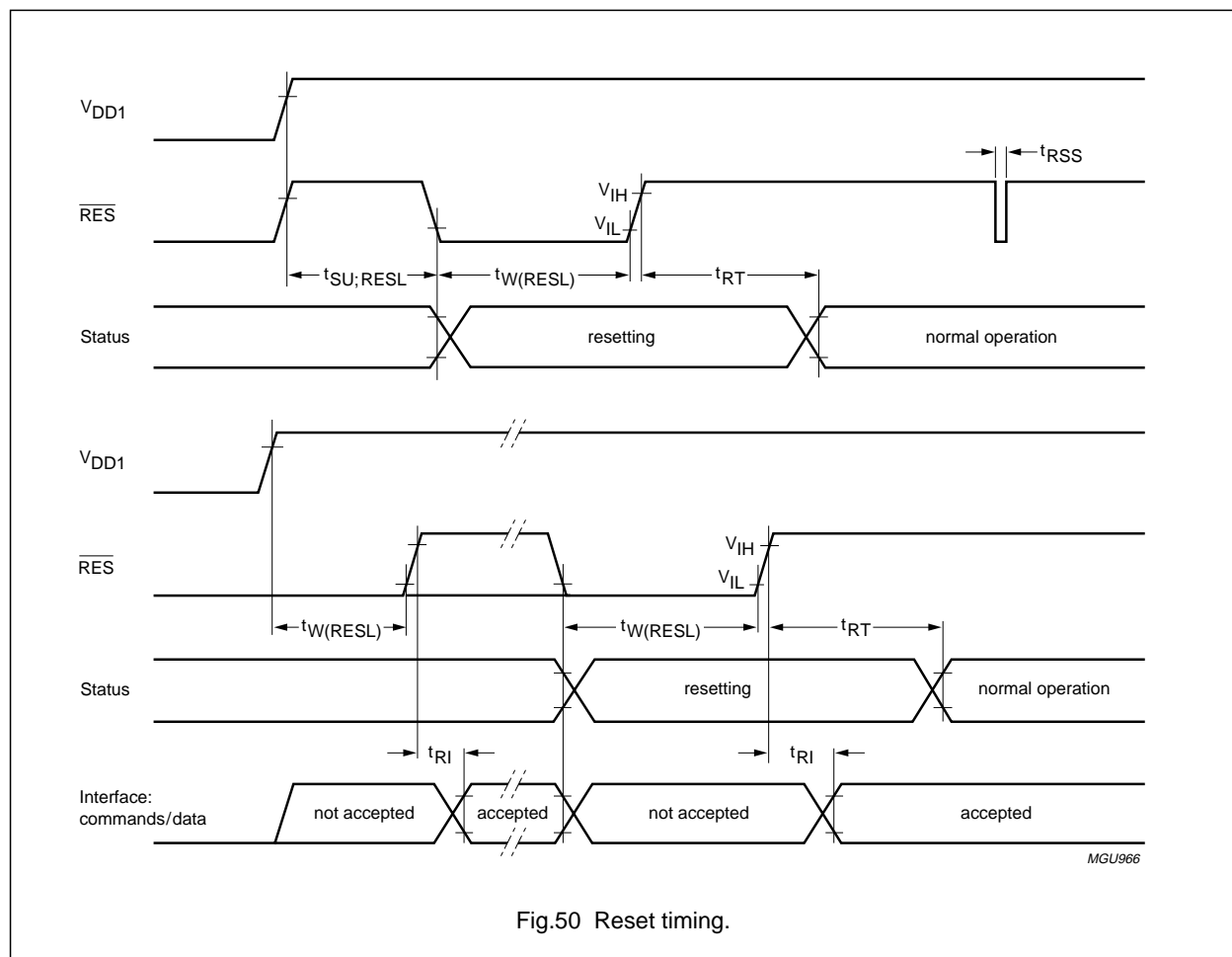
SYMBOL	PARAMETER	CONDITIONS	MIN.	TYP.	MAX.	UNIT
$f_{frame}$	LCD frame frequency (internal clock)	$V_{DD1} = 3.0$ V	–	tbf	–	Hz
$f_{osc}$	oscillator frequency	notes 2 and 3	–	600	–	kHz
$f_{clk(ext)}$	external clock frequency		–	tbf	–	kHz
<b>Reset; see Fig.50</b>						
$t_{W(RESL)}$	reset LOW pulse width	note 4	500	–	–	ns
$t_{RSS}$	reset spike suppression		–	–	100	ns
$t_{SU,RESL}$	reset LOW pulse set-up time after power-on		0	–	1	µs
$t_{RT}$	initialization	note 5	0	–	5	ms
$t_{RI}$	interface ready after reset pulse		0	–	1	µs
<b>Serial interface; <math>V_{DD1(min)} = 1.65</math> V; note 6; see Fig.51</b>						
$T_{SCYC}$	serial clock SCLK period (SCLK)		150	–	–	ns
$t_{SHW}$	SCLK pulse width HIGH		60	–	–	ns
$t_{SLW}$	SCLK pulse width LOW		60	–	–	ns
$t_{SDS}$	SDIN data set-up time		60	–	–	ns
$t_{SDH}$	SDIN data hold time		60	–	–	ns
$t_{ACC}$	SDOUT access time	$C_L = 30$ pF	10	–	50	ns
$t_{OH}$	SDOUT output disable time	$C_L = 5$ pF; $R = 3$ kΩ	25	–	50	ns
$t_{SCC}$	SCLK to $\overline{SCE}$ time		20	–	–	ns
$t_{CHW}$	$\overline{SCE}$ pulse width HIGH		40	–	–	ns
$t_{CSS}$	$\overline{SCE}$ to SCLK set-up time		60	–	–	ns
$t_{CSH}$	$\overline{SCE}$ to SCLK hold time		65	–	–	ns
<b>8-bit parallel (8080-type) interface; <math>V_{DD1(min)} = 1.65</math> V; note 6; see Fig.52</b>						
$t_{CS}$	$\overline{CS}$ -WR and $\overline{CS}$ -RD time	note 7	10	–	–	ns
$t_{AH}$	$D/\overline{C}$ address hold time		10	–	–	ns
$t_{AS}$	address set-up time		10	–	–	ns
$T_{CYC}$	system cycle time		160	–	–	ns
$t_{CCLW}$	$\overline{WR}$ control pulse width LOW	Write mode	38	–	–	ns
$t_{CCLR}$	$\overline{RD}$ control pulse width LOW	Read mode	38	–	–	ns
$t_{CCHW}$	$\overline{WR}$ control pulse width HIGH	Write mode	90	–	–	ns
$t_{CCHR}$	$\overline{RD}$ control pulse width HIGH	Read mode	90	–	–	ns
$t_{DS}$	D0 to D7 data set-up time		10	–	–	ns
$t_{DH}$	D0 to D7 data hold time		10	–	–	ns
$t_{ACC}$	read access time	note 8; $C_L = 30$ pF	–	–	30	ns
$t_{OH}$	output disable time	note 8; $C_L = 5$ pF; $R = 3$ kΩ; note 9	30	–	160	ns

## STN RGB - 132 × 132 × 3 driver

## PCF8833

## Notes

1.  $V_{DD2}$  and  $V_{DD3}$  always have to be larger than or equal to  $V_{DD1}$ .
2. Not directly observable at any pin.
3. After calibration the following  $f_{osc}$  can be expected at 25 °C: 600 kHz  $\pm$ 4%; at different temperatures an additional variation of +0.12%/°C will not be exceeded.
4. All timing values are valid within the operating supply voltage and ambient temperature range and are referenced to  $V_{IL}$  and  $V_{IH}$  with an input voltage swing of  $V_{SS1}$  to  $V_{DD1}$ .
5. The initialization incorporates the start-up of the internal circuitry including the readout of the OTP cells. The start-up time for the internal voltage generation is not included.
6. The input signal rise time and fall time ( $t_r$  and  $t_f$ ) are specified at 15 ns or less. When the cycle time is used at high speed, the specification is  $t_r + t_f \leq (t_{CYC} - t_{CCLW} - t_{CCHW})$  or  $t_r + t_f \leq (t_{CYC} - t_{CCLR} - t_{CCHR})$ .
7.  $\overline{CS}$  can be permanently tied LOW.
8. The output disable time and read access time is applicable after the second read cycle (see Fig.40).
9. For  $V_{DD1} = 1.8$  V possible variation of  $t_{OH}$  is between 40 and 80 ns for a temperature range of -40 to +85 °C.



STN RGB - 132 × 132 × 3 driver

PCF8833

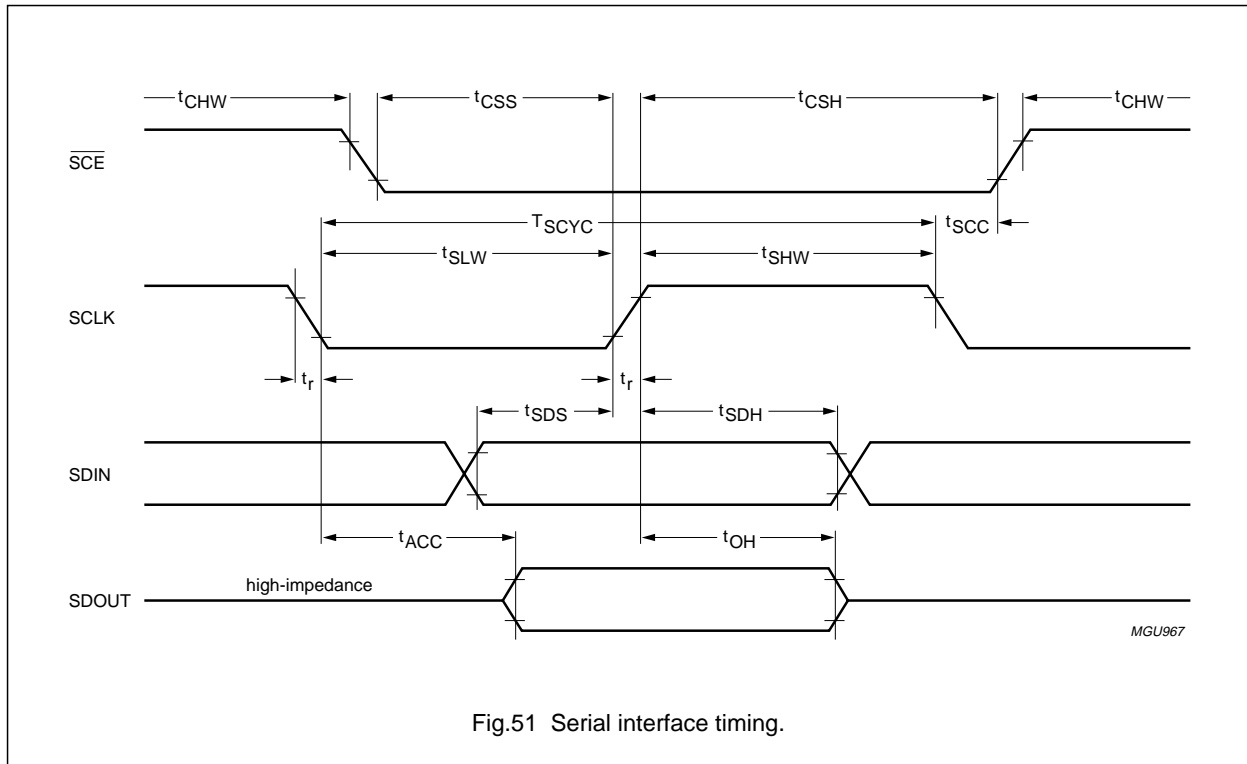


Fig.51 Serial interface timing.

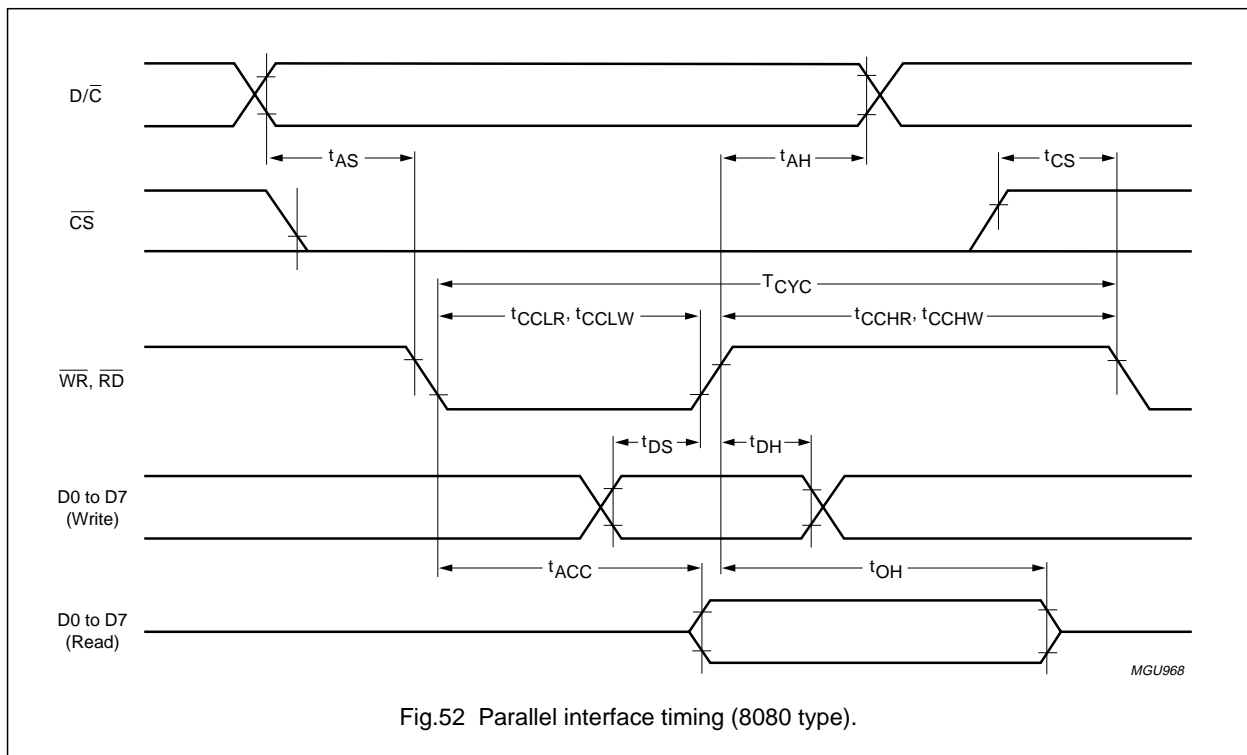


Fig.52 Parallel interface timing (8080 type).

## STN RGB - 132 × 132 × 3 driver

## PCF8833

## 14 APPLICATION INFORMATION

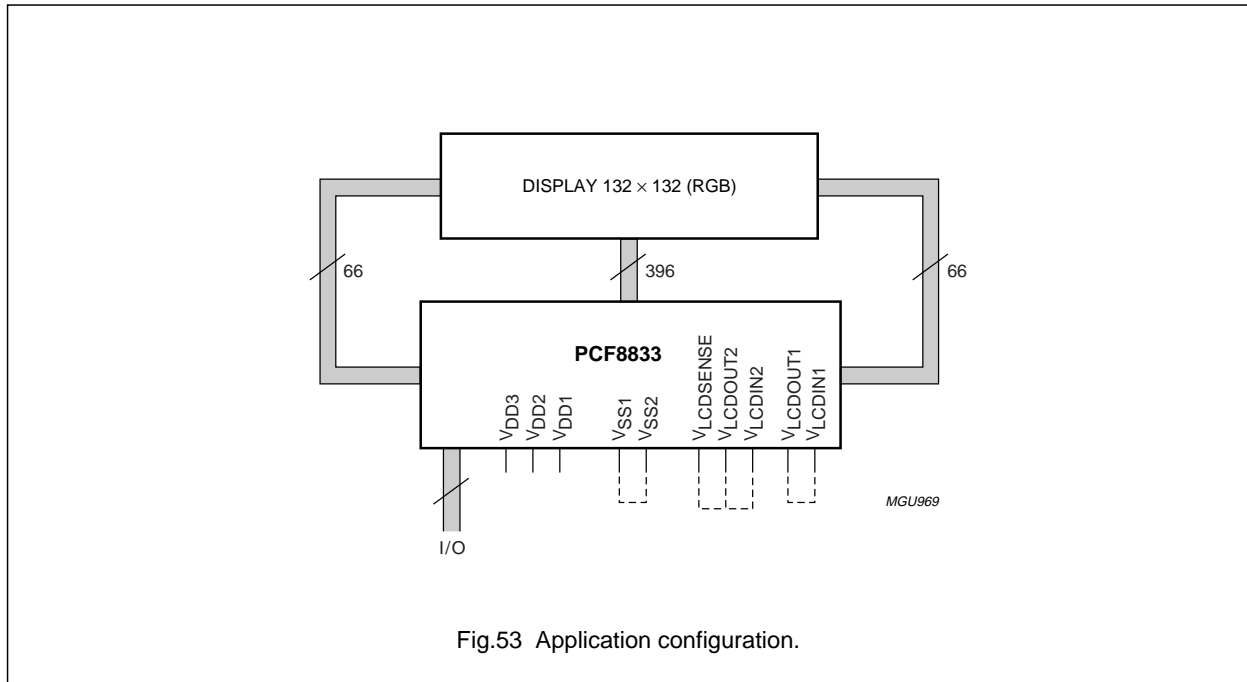
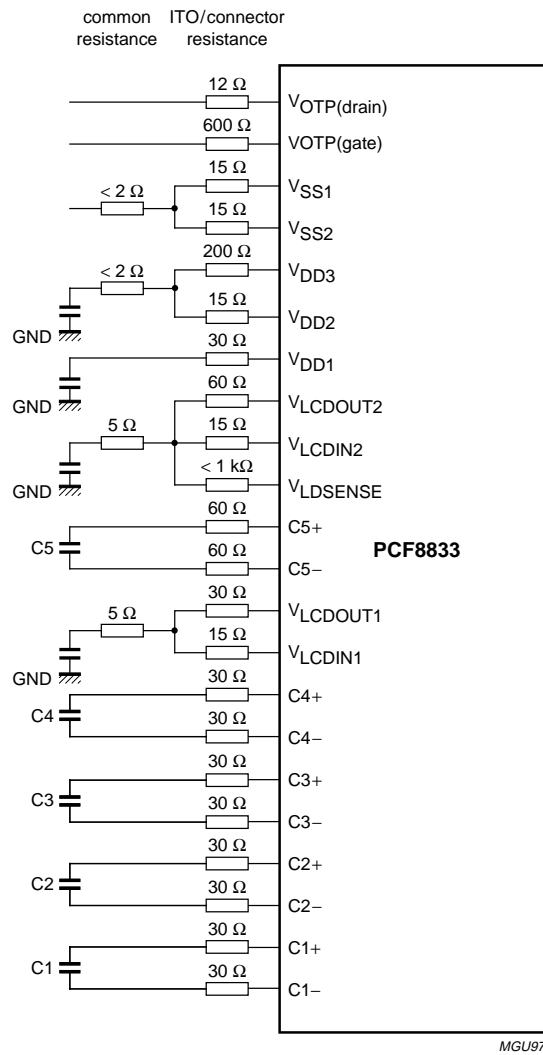


Figure 54 shows a typical supply and capacitor connections for the PCF8833.



STN RGB - 132 × 132 × 3 driver

PCF8833



The indicated resistor values are the maximum recommended values. The recommended capacitor values are given in Table 85.

Fig.54 I/O configuration for the PCF8833.

## STN RGB - 132 × 132 × 3 driver

## PCF8833

**15 MODULE MAKER PROGRAMMING**

The One Time Programmable (OTP) technology has been implemented in the PCF8833. It enables the module maker to perform an LCD supply voltage calibration after it has been assembled on an LCD module. The module maker can also pre-define command set registers in order to provide the setmaker with a 'plug and play' module where only display related data has to be sent.

The PCF8833 features the following module maker programming facilities:

- $V_{LCD}$  calibration
- Multiplication factor  $S[1:0]$  to  $FS[1:0]$  for full Display mode and  $PS[1:0]$  for partial Display mode
- Set  $VPR[8:0]$  to  $FVPR[8:0]$  for full Display mode and  $PVPR[8:0]$  for partial Display mode
- Set bias system  $VB[3:0]$  to  $FVB[3:0]$  for full Display mode and  $PVB[3:0]$  for partial Display mode
- Segmented temperature compensation slopes for  $V_{LCD}$ ,  $SLA[2:0]$ ,  $SLB[2:0]$ ,  $SLC[2:0]$  and  $SLD[2:0]$
- Segmented temperature frame frequencies  $DFA[6:0]$ ,  $DFB[6:0]$ ,  $DFC[6:0]$  and  $DFD[6:0]$
- Frame frequency 8-colour mode  $DF8[6:0]$

- Identification bits  $ID2[7:0]$  and  $ID3[7:0]$
- TRS and BRS
- Factory default bit EFD
- Seal bit.

**15.1  $V_{LCD}$  calibration**

The first feature included is the ability to adjust the  $V_{LCD}$  voltage with a 6-bit code (MMVOPCAL). This code is implemented in twos complement notation giving rise to a positive or negative offset to the  $V_{PR}$  register. The adder in the circuit has underflow and overflow protection. In the event of an overflow, the output will be clamped to  $V_{OP} = 445$ ; during an underflow the output will be clamped to 0.

Figure 55 illustrates how the high voltage generator setting  $V_{OP}$  is controlled. Compared to equation (1) in Section 6.2.31, Fig.55 also takes the temperature compensation  $V_T$  into account (see Section 6.2.40), which is reflected in the following equation:

$$V_{LCD} = a + (V_T[7:0] + MMVOPCAL[5:0] + VCON[6:0] + VPR[8:0]) \times b$$

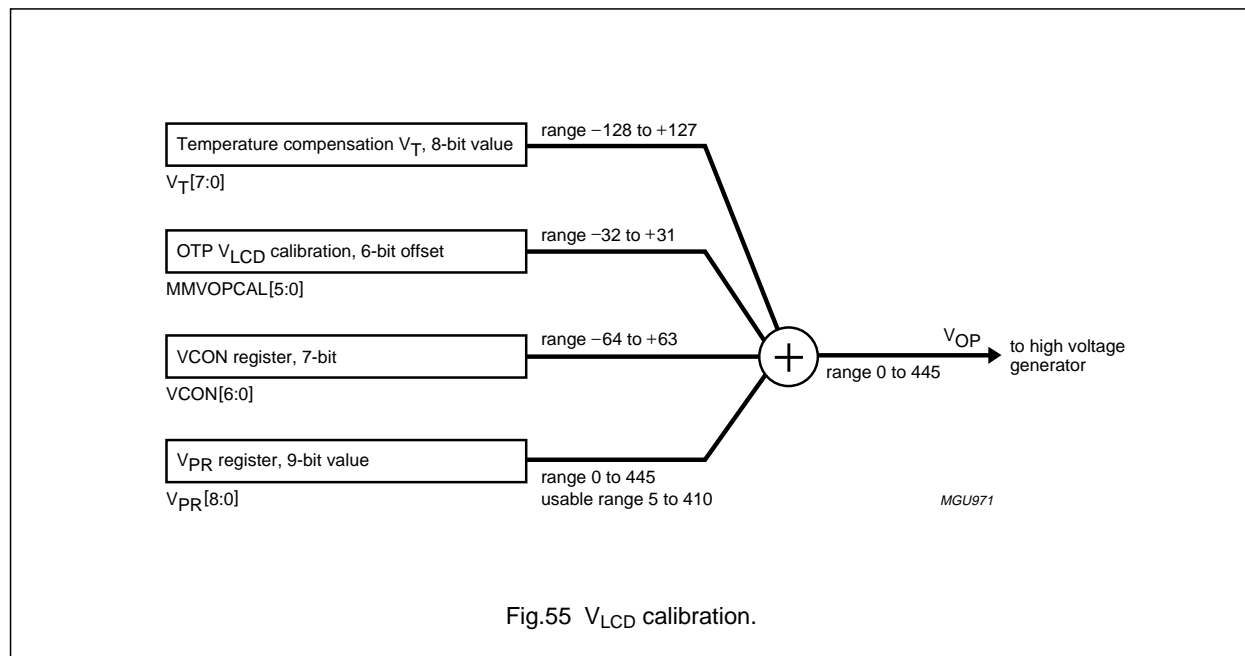


Fig.55  $V_{LCD}$  calibration.

## STN RGB - 132 × 132 × 3 driver

## PCF8833

**Table 87** Possible MMVOPCAL values

MMVOPCAL[5:0]	DECIMAL EQUIVALENT	V <sub>LCD</sub> OFFSET
011111	31	+1240 mV
011110	30	+1200 mV
011101	29	+1160 mV
:	:	:
000010	2	+80 mV
000001	1	+40 mV
000000	0	0 mV
111111	-1	-40 mV
111110	-2	-80 mV
:	:	:
100010	-30	-1200 mV
100001	-31	-1240 mV
100000	-32	-1280 mV

**15.2 Factory defaults**

The factory default setting of the following features can be predefined with OTP cells:

- Multiplication factor S[1:0] for full and partial Display mode
- Set VPR[8:0] for full and partial Display mode
- Set bias system VB[3:0] for full and partial Display mode
- Segmented temperature compensation slopes for V<sub>LCD</sub>, SLA[2:0], SLB[2:0], SLC[2:0] and SLD[2:0]
- Segmented temperature frame frequencies DFA[6:0], DFB[6:0], DFC[6:0] and DFD[6:0]
- Frame frequency 8-colour mode DF8[6:0]
- TRS and BRS
- Identification bits ID2[7:0] and ID3[7:0].

It is possible to change to settings defined by registers which can be set via the interface, except ID2[7:0] and ID3[7:0] which are defined only by OTP cells. The selection of the factory defaults mode is made by setting the factory default OTP bit EFD.

The operation can be thought of as a switch that selects between two sources for the data. When the factory defaults are selected (EFD = 1), changing the values via the interface is not possible, not even by sending the SFD command.

**Table 88** Factory default bit EFD

EFD	ACTION
0	configuration data is taken from the interface if SFD = 0 or from the OTP if SFD = 1
1	OTP values are used for configuration

## STN RGB - 132 × 132 × 3 driver

## PCF8833

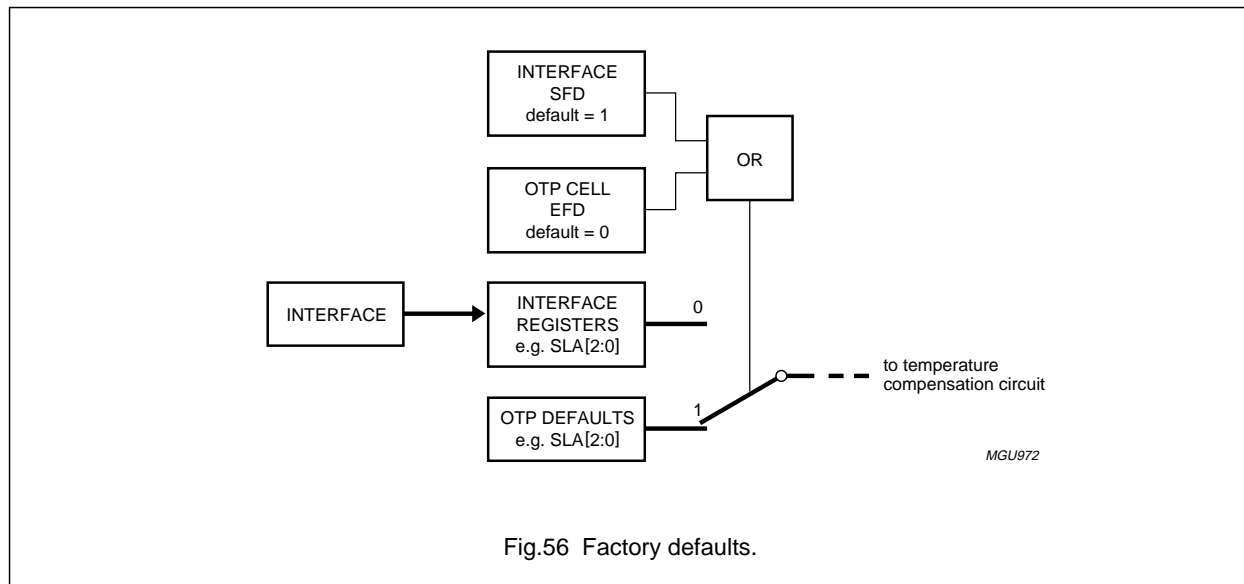


Fig.56 Factory defaults.

### 15.3 Seal bit

The module maker programming is performed in the Calibration mode. This mode is entered via a special interface command (CALMM). To prevent erroneous programming, a seal bit has been implemented which prevents the device from entering Calibration mode. This seal bit, once programmed, cannot be reversed, thus further changes in programmed values are not possible. Applying the programming voltage when not in CALMM mode will have no effect on the programmed values.

**Table 89** Seal bit definition

SEAL BIT	ACTION
0	Calibration mode enabled
1	Calibration mode disabled

### 15.4 OTP architecture

An OTP cell is divided into a non-volatile programmable instance containing the value and a register, where the value is made accessible to the rest of the chip.

In the PCF8833 104 OTP cells are available for the module maker. These cells are organised in a matrix of 7 rows and 15 columns, where the last row is only partially used; see Table 90. All the rows of one particular column of the matrix are filled in parallel by sending 1 byte of data with the OTPSHTIN command. Byte 15 is sent first (containing PVB[3:0], BRS and TRS) and byte 0 last (containing MMVOP[5:0] or SEAL).

Bit 7 of every data byte is not used. An example sequence on how to fill the matrix is given in Table 96.

The default value of the OTP cells is shown in Table 91. These values may be changed by programming the OTP cell. The programming of a cell will invert the default value. This inversion may only happen once per cell, as the programming is irreversible.

Table 93 shows an example on how to program the OTP cells to receive the values given in Table 92. Some examples are given below:

1. The default for DFA[0] is 0; see Table 91, and it is required to have DFA[0] = 1; see Table 92. This means that the value needs to be inverted. Therefore the OTP cell has to be programmed (a 1 in Table 93).
2. The default for DFA[4] is 1; see Table 91, and it is required to have DFA[4] = 0; see Table 92. This means that the value needs to be inverted. Therefore the OTP cell has to be programmed (a 1 in Table 93).
3. The default for DFA[5] is 1; see Table 91, and it is required to have DFA[5] = 1; see Table 92. This means that it is not necessary to change the value. Therefore it is not necessary to program the OTP cell (a 0 in Table 93).
4. The default for DFA[6] is 0; see Table 91, and it is required to have DFA[6] = 0; see Table 92. This means that it is not necessary to change the value. Therefore it is not necessary to program the OTP cell (a 0 in Table 93).

## STN RGB - 132 × 132 × 3 driver

PCF8833

Table 90 OTP array: content

BIT	0	1	2	3	4	5	6	7	8	9	10	11	12	13	14	15
0	SEAL	DFA <sub>0</sub>	DFB <sub>0</sub>	DFC <sub>0</sub>	DFD <sub>0</sub>	DF8 <sub>0</sub>	ID2 <sub>0</sub>	ID2 <sub>7</sub>	ID3 <sub>6</sub>	SLA <sub>0</sub>	SLC <sub>0</sub>	FVPR <sub>0</sub>	FVPR <sub>6</sub>	PVPR <sub>3</sub>	EFD	TRS
1	MMVOP <sub>0</sub>	DFA <sub>1</sub>	DFB <sub>1</sub>	DFC <sub>1</sub>	DFD <sub>1</sub>	DF8 <sub>1</sub>	ID2 <sub>1</sub>	ID3 <sub>0</sub>	ID3 <sub>7</sub>	SLA <sub>1</sub>	SLC <sub>1</sub>	FVPR <sub>1</sub>	FVPR <sub>7</sub>	PVPR <sub>4</sub>	VCBW	BRS
2	MMVOP <sub>1</sub>	DFA <sub>2</sub>	DFB <sub>2</sub>	DFC <sub>2</sub>	DFD <sub>2</sub>	DF8 <sub>2</sub>	ID2 <sub>2</sub>	ID3 <sub>1</sub>	FS <sub>0</sub> <sup>(1)</sup>	SLA <sub>2</sub>	SLC <sub>2</sub>	FVPR <sub>2</sub>	FVPR <sub>8</sub>	PVPR <sub>5</sub>	FVB <sub>0</sub>	PVB <sub>0</sub>
3	MMVOP <sub>2</sub>	DFA <sub>3</sub>	DFB <sub>3</sub>	DFC <sub>3</sub>	DFD <sub>3</sub>	DF8 <sub>3</sub>	ID2 <sub>3</sub>	ID3 <sub>2</sub>	FS <sub>1</sub> <sup>(1)</sup>	SLB <sub>0</sub>	SLD <sub>0</sub>	FVPR <sub>3</sub>	PVPR <sub>0</sub>	PVPR <sub>6</sub>	FVB <sub>1</sub>	PVB <sub>1</sub>
4	MMVOP <sub>3</sub>	DFA <sub>4</sub>	DFB <sub>4</sub>	DFC <sub>4</sub>	DFD <sub>4</sub>	DF8 <sub>4</sub>	ID2 <sub>4</sub>	ID3 <sub>3</sub>	PS <sub>0</sub> <sup>(2)</sup>	SLB <sub>1</sub>	SLD <sub>1</sub>	FVPR <sub>4</sub>	PVPR <sub>1</sub>	PVPR <sub>7</sub>	FVB <sub>2</sub>	PVB <sub>2</sub>
5	MMVOP <sub>4</sub>	DFA <sub>5</sub>	DFB <sub>5</sub>	DFC <sub>5</sub>	DFD <sub>5</sub>	DF8 <sub>5</sub>	ID2 <sub>5</sub>	ID3 <sub>4</sub>	PS <sub>1</sub> <sup>(2)</sup>	SLB <sub>2</sub>	SLD <sub>2</sub>	FVPR <sub>5</sub>	PVPR <sub>2</sub>	PVPR <sub>8</sub>	FVB <sub>3</sub>	PVB <sub>3</sub>
6	MMVOP <sub>5</sub>	DFA <sub>6</sub>	DFB <sub>6</sub>	DFC <sub>6</sub>	DFD <sub>6</sub>	DF8 <sub>6</sub>	ID2 <sub>6</sub>	ID3 <sub>5</sub>	not used							

## Notes

1. FS[1:0] is the multiplication factor used in full Display mode, compare to S[1:0]; see Section 6.2.39.
2. PS[1:0] is the multiplication factor used in partial Display mode, compare to S[1:0]; see Section 6.2.39.

## STN RGB - 132 × 132 × 3 driver

## PCF8833

**Table 91** OTP array: default values

BIT	0	1	2	3	4	5	6	7	8	9	10	11	12	13	14	15
0	0	0	1	0	1	1	0	1	0	0	1	1	0	1	0	0
1	0	0	1	1	0	1	0	1	0	0	0	0	0	1	0	0
2	0	0	0	1	0	0	0	1	1	1	1	0	1	0	1	1
3	0	1	0	1	1	0	0	0	1	1	1	0	1	0	1	1
4	0	1	0	1	1	0	0	0	1	1	1	0	0	1	0	1
5	0	1	1	0	0	1	0	0	1	0	1	0	1	0	1	1
6	0	0	0	0	0	0	0	0	not used							

**Table 92** OTP array: desired values

BIT	0	1	2	3	4	5	6	7	8	9	10	11	12	13	14	15
0	0	1	0	0	1	1	0	1	0	0	1	1	0	1	0	0
1	1	0	0	1	0	1	0	1	0	0	0	0	0	1	0	0
2	0	0	1	1	0	0	0	1	1	1	1	0	1	0	1	1
3	1	1	0	1	1	0	0	0	1	1	1	0	1	0	1	1
4	1	0	0	1	1	0	0	0	1	1	1	0	0	1	0	1
5	0	1	1	0	0	1	0	0	1	0	1	0	1	0	1	1
6	0	0	0	0	0	0	0	0	not used							

**Table 93** OTP array: values to be programmed

BIT	0	1	2	3	4	5	6	7	8	9	10	11	12	13	14	15
0	0	1	1	0	0	0	0	0	0	0	0	0	0	0	0	0
1	1	0	1	0	0	0	0	0	0	0	0	0	0	0	0	0
2	0	0	1	0	0	0	0	0	0	0	0	0	0	0	0	0
3	1	0	0	0	0	0	0	0	0	0	0	0	0	0	0	0
4	1	1	0	0	0	0	0	0	0	0	0	0	0	0	0	0
5	0	0	0	0	0	0	0	0	0	0	0	0	0	0	0	0
6	0	0	0	0	0	0	0	0	not used							

## STN RGB - 132 × 132 × 3 driver

## PCF8833

## 15.5 Interface commands

Table 94 contains a list of all OTP related commands.

**Table 94** OTP related commands

NAME	D/C	COMMAND BYTE <sup>(1)</sup>								HEX	DESCRIPTION
		D7	D6	D5	D4	D3	D2	D1	D0		
CALMM	0	1	1	1	1	0	0	0	0	F0	CALMM command
	1	X	X	ORA <sub>2</sub>	ORA <sub>1</sub>	ORA <sub>0</sub>	X	OPE	CALMM		entry CALMM mode (CALMM) enable programming (OPE) set address (ORA)
Sleep_OUT	0	0	0	0	1	0	0	0	1	11	generate a refresh of the OTP if CALMM = 0
OTPSHTIN	0	1	1	1	1	0	0	0	1	F1	start shifting data in the shift register; the shifting is executed as long as D/C = 1
	1	X	D <sub>6</sub>	D <sub>5</sub>	D <sub>4</sub>	D <sub>3</sub>	D <sub>2</sub>	D <sub>1</sub>	D <sub>0</sub>		
SFD	0	1	1	1	0	1	1	1	SFD	EE/EF	set factory default (see Sections 6.2.47 and 15.2)

**Note**

1. X = don't care. For hexadecimal representation, don't care bits are assumed to be 0.

## 15.5.1 CALIBRATION MODULE MAKER MODE

When CALMM = 1 the device enters the calibration module maker mode. This mode enables the filling of the OTP matrix and allows programming of the non-volatile OTP cells to take place.

The V<sub>OTP(drain)</sub> pad is not connected directly to the OTP cells, but through a switch that must be closed for programming by setting OPE to logic 1.

The OTP row to be programmed may be chosen by setting the OTP row address ORA[2:0].

## 15.5.2 REFRESH

The action of the refresh instruction is to force the registers of the OTP matrix to load the value from the non-volatile part of the OTP cell. This instruction takes up to 1 ms to complete. During this time all other instructions may be sent.

In the PCF8833 the refresh instruction is associated with the Sleep\_OUT instruction such that the shift register is automatically refreshed every time the Sleep\_OUT instruction is sent.

No refresh may be started when in CALMM mode, i.e. whenever CALMM = 1.

## 15.5.3 SHIFT IN

The OTP matrix (see Table 90) is filled using the OTSHTIN command, which is similar to the RAM write command. First the appropriate command is sent, then the following data bytes are shifted bitwise into the OTP matrix from left to right, i.e. the new byte is loaded into byte 0, whereas the data of byte 0 is shifted into byte 1 and so on. Bit 7 of the data is not used. The shifting is enabled as long as D/C remains at logic 1.

15.6 Suggestion on how to calibrate V<sub>LCD2</sub> using MMVOP

In order to calibrate the programming of V<sub>LCD2</sub>, the sequence in Table 95 is suggested to determine what MMVOP value has to be programmed.

It is assumed that the relevant parameters, the V<sub>LCD2</sub> programming, V<sub>PR</sub> and the number of stages S, are set via the interface. This implies that SFD is set to logic 0 and that all OTP settings except MMVOP are ignored.

## STN RGB - 132 × 132 × 3 driver

PCF8833

Table 95 Sequence to determine MMVOP

STEP	D/C	COMMAND BYTE <sup>(1)</sup>								ADDR	DESCRIPTION	
		7	6	5	4	3	2	1	0			
1	0	0	0	0	0	0	0	0	0	1	01H	reset (may also be hardware reset)
2	–	–	–	–	–	–	–	–	–	–	–	wait 1 ms for refresh to take effect
3	0	1	1	1	0	1	1	1	1	0	EEH	set SFD = 0 in order to use interface values
4	0	0	0	1	0	1	0	0	0	0	28H	send DISPOFF to prevent rows and columns to toggle
5	0	1	0	1	1	0	0	0	0	0	B0H	set V <sub>PR</sub> to desired value
	1	X	X	X	X	VPR <sub>8</sub>	VPR <sub>7</sub>	VPR <sub>6</sub>	VPR <sub>5</sub>	–	–	
	1	X	X	X	VPR <sub>4</sub>	VPR <sub>3</sub>	VPR <sub>2</sub>	VPR <sub>1</sub>	VPR <sub>0</sub>	–	–	
6	0	1	1	0	0	0	0	1	0	0	C2H	set multiplication stages to desired value
	1	X	X	X	X	X	X	S <sub>1</sub>	S <sub>0</sub>	–	–	
7	0	1	1	1	1	0	0	0	0	0	F0H	enter CALMM mode
	1	X	X	0	0	0	x	0	1	0	01H	ORA = 000 OPE = 0 CALMM = 1
8	0	0	0	0	1	0	0	0	0	1	11H	send Sleep_OUT (no refresh because CALMM = 1)
9	–	–	–	–	–	–	–	–	–	–	–	wait until D31 = 1 (V stable); note 2
10	0	1	1	1	1	0	0	0	0	1	F1H	send OTPSHTIN; note 3
	1	X	MMVOP <sub>5</sub>	MMVOP <sub>4</sub>	MMVOP <sub>3</sub>	MMVOP <sub>2</sub>	MMVOP <sub>1</sub>	MMVOP <sub>0</sub>	0	0	–	set MMVOP[5:0] and SEAL = 0
11	–	–	–	–	–	–	–	–	–	–	–	check V <sub>LCD2</sub> after V <sub>LCD2</sub> has settled
12	–	–	–	–	–	–	–	–	–	–	–	repeat steps 10 to 11 until desired V <sub>LCD2</sub> is reached
13	0	1	1	1	1	0	0	0	0	0	F0H	exit CALMM mode; if required
	1	X	X	0	0	0	0	x	0	0	00H	ORA = 000 OPE = 0 CALMM = 0

## Notes

1. X = don't care. For hexadecimal representation, don't care bits are assumed to be logic 0.
2. D31 is the booster voltage status bit; see Section 6.2.7.
3. The chip stays in shift operation as long as D/C is logic 1.



## STN RGB - 132 × 132 × 3 driver

## PCF8833

## 15.7 Example of filling the shift register

Table 96 shows the sequence of commands to fill the OTP matrix as defined in Table 93.

**Table 96** Sequence for filling the OTP matrix

STEP	D/C	COMMAND BYTE <sup>(1)</sup>								ADDR	DESCRIPTION	
		7	6	5	4	3	2	1	0			
1	0	0	0	0	0	0	0	0	0	1	01H	reset (may also be hardware reset)
2												wait 1 ms for refresh to take effect
3	0	1	1	1	1	0	0	0	0	0	F0H	enter CALMM mode
	1	X	X	0	0	0	X	0	1	0	01H	ORA = 000; OPE = 0; CALMM = 1
4	0	1	1	1	1	0	0	0	1	0	F1H	send OTPSHTIN; note 2
shift15	1	X	X	0	0	0	0	0	0	0	00H	set PVB[3:0]; BRS and TRS
shift14	1	X	X	0	0	0	0	0	0	0	00H	set FVB[3:0]; 0 and EFD
shift13	1	X	X	0	0	0	0	0	0	0	00H	set PVPR[8:3]
shift12	1	X	X	0	0	0	0	0	0	0	00H	set PVPR[2:0] and FVPR[8:6]
shift11	1	X	X	0	0	0	0	0	0	0	00H	set FVPR[5:0]
shift10	1	X	X	0	0	0	0	0	0	0	00H	set SLD[2:0] and SLC[2:0]
shift9	1	X	X	0	0	0	0	0	0	0	00H	set SLB[2:0] and SLA[2:0]
shift8	1	X	X	0	0	0	0	0	0	0	00H	set PS[1:0]; FS[1:0] and ID3[7:6]
shift7	1	X	0	0	0	0	0	0	0	0	00H	set ID3[5:0] and ID2[7]
shift6	1	X	0	0	0	0	0	0	0	0	00H	set ID2[6:0]
shift5	1	X	0	0	0	0	0	0	0	0	00H	set DF8[6:0]
shift4	1	X	0	0	0	0	0	0	0	0	00H	set DFD[6:0]
shift3	1	X	0	0	0	0	0	0	0	0	00H	set DFC[6:0]
shift2	1	X	0	0	0	0	0	1	1	1	07H	set DFB[6:0]
shift1	1	X	0	0	1	0	0	0	0	1	11H	set DFA[6:0]
shift0	1	X	0	0	1	1	0	1	0	0	1AH	set MMVOP[5:0] and SEAL
5	0	1	1	1	1	0	0	0	0	0	F0H	exit CALMM mode; if required
	1	X	X	0	0	0	X	0	0	0	00H	ORA = 000; OPE = 0; CALMM = 0

### Notes

1. X = don't care. For hexadecimal representation, don't care bits are assumed to be logic 0.
2. The chip stays in shift operation as long as D/C is logic 1.

### 15.8 Programming flow

In order to program an OTP cell, the associated register must be set to logic 1 and a programming voltage of 8 V should be applied to pins  $V_{OTP(gate)}$  and  $V_{OTP(drain)}$  for 50 ms. It is strongly recommended to use the sequence shown in Table 97 to program the OTP cells. In any event the requirements stated in Section 15.9 must be met.

**Important:** Whenever a new row in the OTP matrix is selected (change of ORA[2:0]), the OTP cells must not be connected to pin  $V_{OTP(drain)}$  (set OPE = 0). For an example see steps 9 to 11 in Table 97.

## STN RGB - 132 × 132 × 3 driver

PCF8833

Table 97 Sequence to program OTP cells

STEP	D/C	COMMAND BYTE <sup>(1)</sup>								ADDR	DESCRIPTION	
		7	6	5	4	3	2	1	0			
0												set V <sub>OTP(gate)</sub> = 0 V; V <sub>OTP(drain)</sub> = 0 V
1	0	0	0	0	0	0	0	0	0	1	01	reset (may also be hardware reset)
2												wait 1 ms for refresh to take effect
3												set V <sub>OTP(gate)</sub> = 8 V; V <sub>OTP(drain)</sub> = 8 V
4	0	1	1	1	1	0	0	0	0	0	F0	enter CALMM mode
	1	X	X	0	0	0	X	0	1	01	01	ORA = 000; OPE = 0; CALMM = 1
5	0	1	1	1	1	0	0	0	0	1	F1	send OTPSHTIN; note 2
shift15	1	X	X	PVB <sub>3</sub>	PVB <sub>2</sub>	PVB <sub>1</sub>	PVB <sub>0</sub>	BRS	TRS			set PVB[3:0]; BRS and TRS
shift14	1	X	X	FVB <sub>3</sub>	FVB <sub>2</sub>	FVB <sub>1</sub>	FVB <sub>0</sub>	VCBW	EFD			set FVB[3:0]; VCBW and EFD; note 3
:												
shift0	1	x	MMVOP <sub>5</sub>	MMVOP <sub>4</sub>	MMVOP <sub>3</sub>	MMVOP <sub>2</sub>	MMVOP <sub>1</sub>	MMVOP <sub>0</sub>	0			set MMVOP[5:0] and SEAL = 0
6	0	1	1	1	1	0	0	0	0	0	F0	select row 0 in OTP matrix
	1	X	X	0	0	0	X	0	1	01	01	ORA = 000; OPE = 0; CALMM = 1
7	0	1	1	1	1	0	0	0	0	0	F0	enable programming
	1	X	X	0	0	0	X	1	1	03	03	ORA = 000; OPE = 1; CALMM = 1
8												wait for 50 ms until OTP cells are programmed
9	0	1	1	1	1	0	0	0	0	0	F0	disable programming
	1	X	X	0	0	0	X	0	1	01	01	ORA = 000; OPE = 0; CALMM = 1
10	0	1	1	1	1	0	0	0	0	0	F0	select row 1 in OTP matrix
	1	X	X	0	0	1	X	0	1	09	09	ORA = 001; OPE = 0; CALMM = 1
11	0	1	1	1	1	0	0	0	0	0	F0	enable programming
	1	X	X	0	0	1	X	1	1	0B	0B	ORA = 001; OPE = 1; CALMM = 1

## STN RGB - 132 × 132 × 3 driver

PCF8833

STEP	D/ $\bar{C}$	COMMAND BYTE <sup>(1)</sup>								ADDR	DESCRIPTION
		7	6	5	4	3	2	1	0		
12											wait for 50 ms until OTP cells are programmed
13	0	1	1	1	1	0	0	0	0	F0	disable programming
	1	X	X	0	0	1	X	0	1	09	ORA = 001; OPE = 0; CALMM = 1
14											repeat steps 10 to 13 for rows 2 to 6
15	0	1	1	1	1	0	0	0	0	F0	exit CALMM mode
	1	X	X	0	0	0	X	0	0	00	ORA = 000; OPE = 0; CALMM = 0
16											set $V_{OTP(gate)} = 0\text{ V}$ ; $V_{OTP(drain)} = 0\text{ V}$

**Notes**

1. X = don't care. For hexadecimal representation, don't care bits are assumed to be logic 0.
2. The chip stays in shift operation as long as D/ $\bar{C}$  is logic 1.
3. When VCBW = 1 the VC buffer is switched to a weak buffer. Default is VCBW = 0, where the VC buffer is powerful. To save power a capacitor could be connected to VC pad. Depending on the application it might be advantageous or even necessary to program VCBW = 1.

## STN RGB - 132 × 132 × 3 driver

## PCF8833

**15.9 Programming specification**

For programming OTP cells, the  $V_{\text{OTP}(\text{gate})}$  and  $V_{\text{OTP}(\text{drain})}$  voltages have to be applied as indicated in Fig.57. Voltages  $V_{\text{OTP}(\text{gate})}$  and  $V_{\text{OTP}(\text{drain})}$  can be applied at the same time or can have a staggered sequence as indicated by cases a and b of Fig.57.

Depending on the series resistance in the supply wires, up to 16 OTP bits can be programmed at the same time. Each OTP cell can only be programmed once.

**Table 98** Programming specification (see Fig.57)

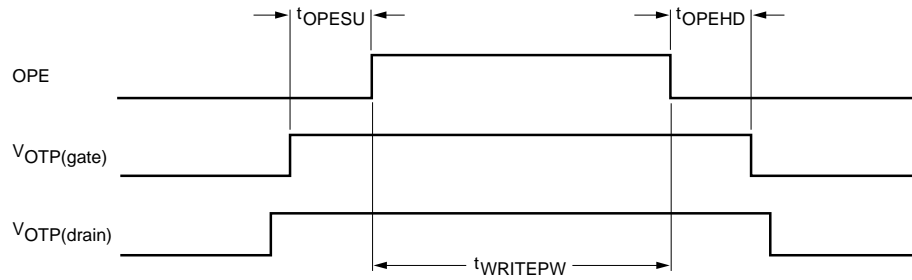
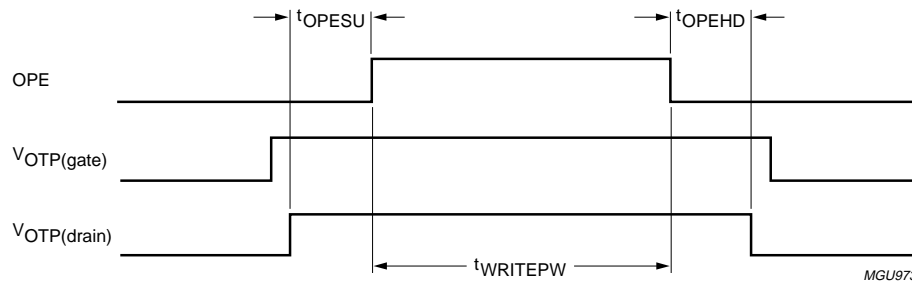
SYMBOL	PARAMETER	CONDITION	MIN.	TYP.	MAX.	UNIT
$V_{\text{OTP}(\text{gate})}$	voltage applied to $V_{\text{OTP}(\text{gate})}$ pin relative to $V_{\text{SS}1}$	programming active; note 1	tbf	8	tbf	V
		programming inactive	tbf	0	tbf	V
$V_{\text{OTP}(\text{drain})}$	voltage applied to $V_{\text{OTP}(\text{drain})}$ pin relative to $V_{\text{SS}1}$	programming active; note 1	tbf	8	tbf	V
		programming inactive	tbf	0	tbf	V
$I_{\text{OTP}(\text{gate})}$	current drawn by $V_{\text{OTP}(\text{gate})}$ during programming		tbf	100	tbf	$\mu\text{A}$
$I_{\text{OTP}(\text{drain})}$	current drawn by $V_{\text{OTP}(\text{drain})}$ during programming	per programmed OTP cell	tbf	500	tbf	$\mu\text{A}$
$T_{\text{amb}(\text{prog})}$	ambient temperature during programming		0	25	40	$^{\circ}\text{C}$
$t_{\text{OPESU}}$	set-up time of OPE as a function of $V_{\text{OTP}(\text{gate})}$ and $V_{\text{OTP}(\text{drain})}$	$V_{\text{OTP}(\text{gate})}$ and $V_{\text{OTP}(\text{drain})} > 0 \text{ V}$	1	–	–	ms
$t_{\text{OPEHD}}$	hold time of OPE as a function of $V_{\text{OTP}(\text{gate})}$ and $V_{\text{OTP}(\text{drain})}$	$V_{\text{OTP}(\text{gate})}$ and $V_{\text{OTP}(\text{drain})} > 0 \text{ V}$	1	–	–	ms
$t_{\text{WRITEPW}}$	pulse width of programming voltage		45	50	55	ms

**Note**

1. The voltage drop across the ITO track and any connector must be taken into account to guarantee a sufficiently high voltage at the chip pins.

## STN RGB - 132 × 132 × 3 driver

## PCF8833

(a)  $V_{OTP(drain)}$  applied before  $V_{OTP(gate)}$ (b)  $V_{OTP(gate)}$  applied before  $V_{OTP(drain)}$ 

MGU973

Fig.57 Programming waveforms, OPE rises after  $V_{OTP(gate)}$  and  $V_{OTP(drain)}$ .

STN RGB - 132 × 132 × 3 driver

PCF8833

16 INTERNAL PROTECTION CIRCUITS

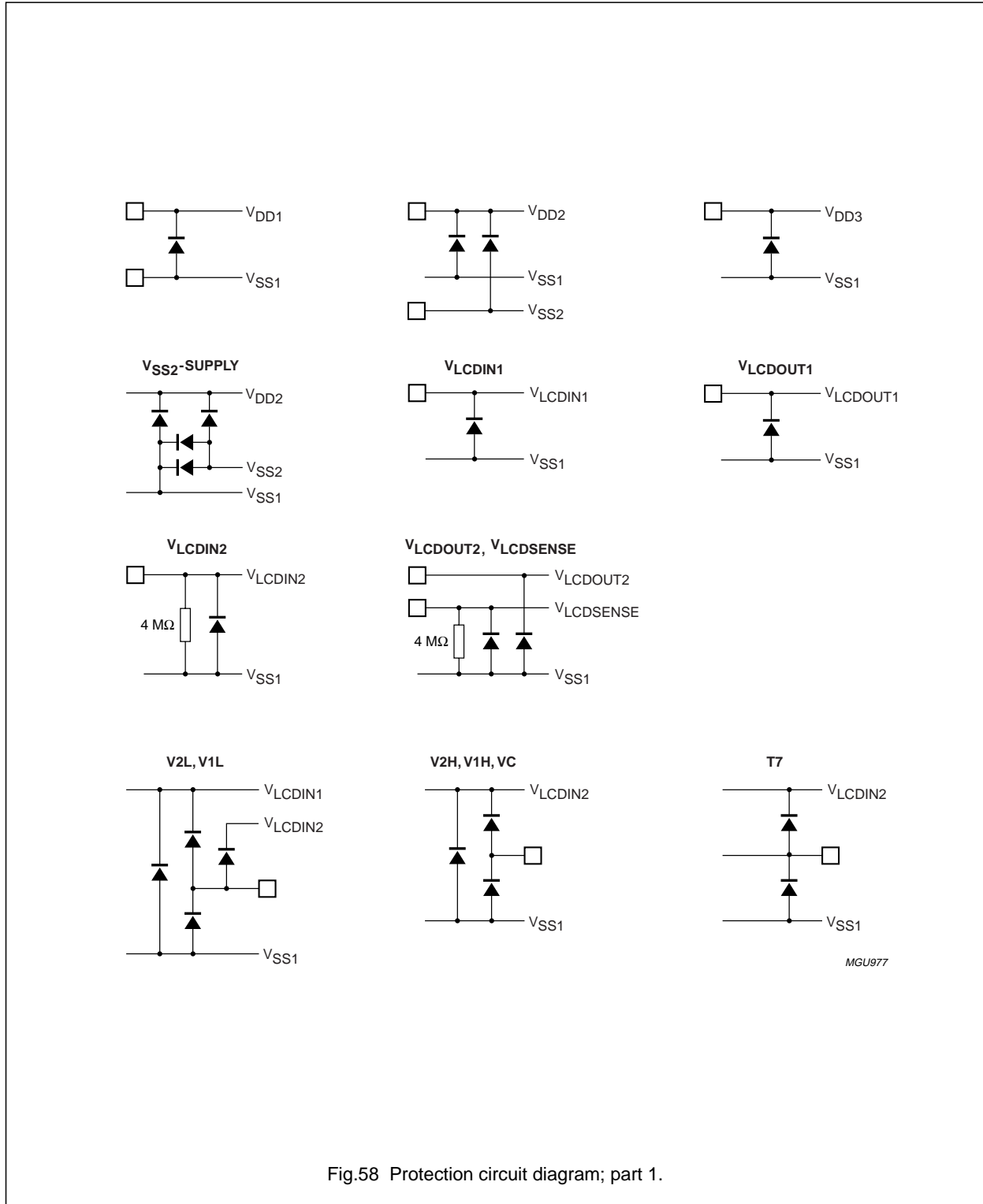


Fig.58 Protection circuit diagram; part 1.

STN RGB - 132 × 132 × 3 driver

PCF8833

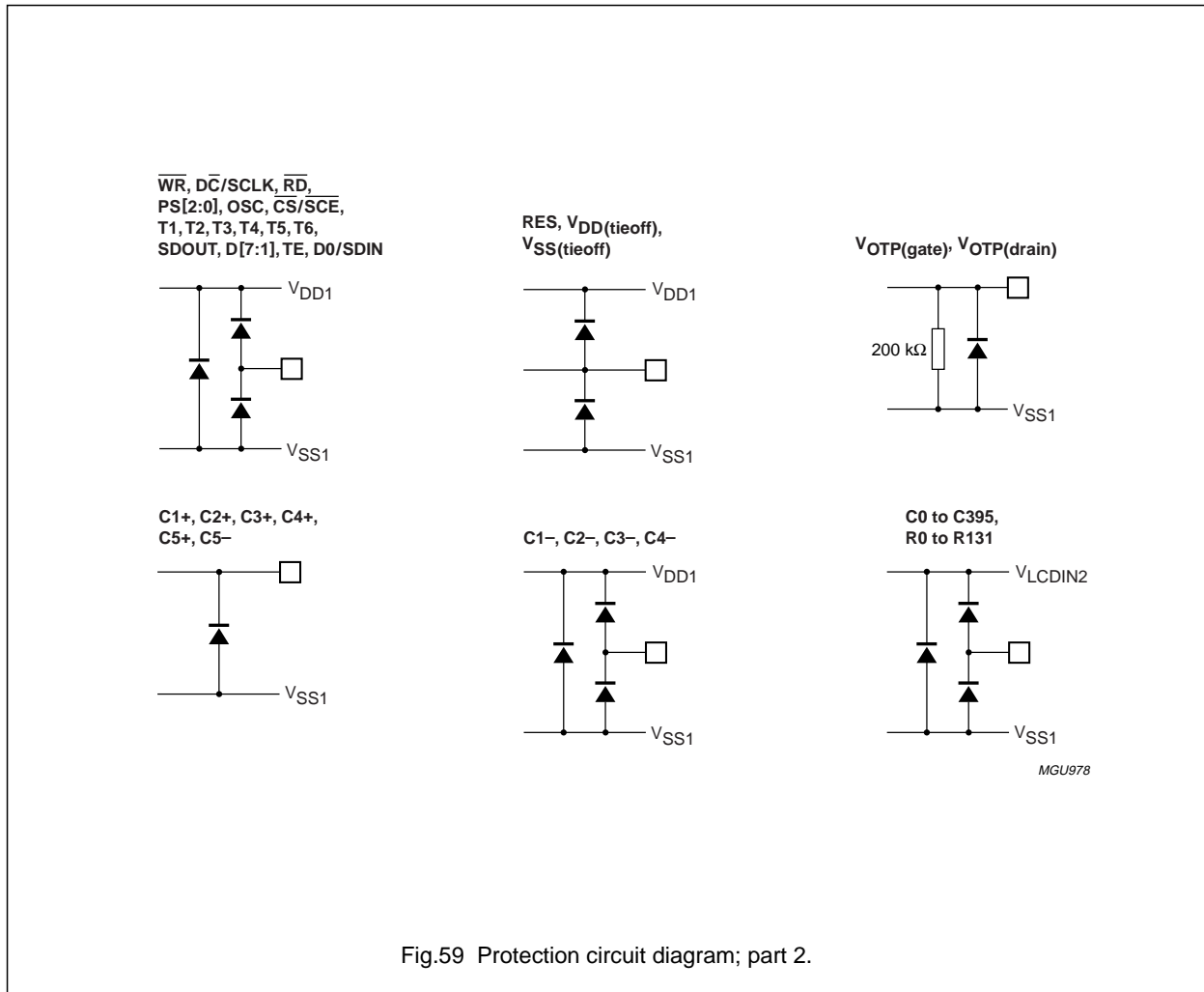


Fig.59 Protection circuit diagram; part 2.

STN RGB - 132 × 132 × 3 driver

PCF8833

17 BONDING PAD INFORMATION

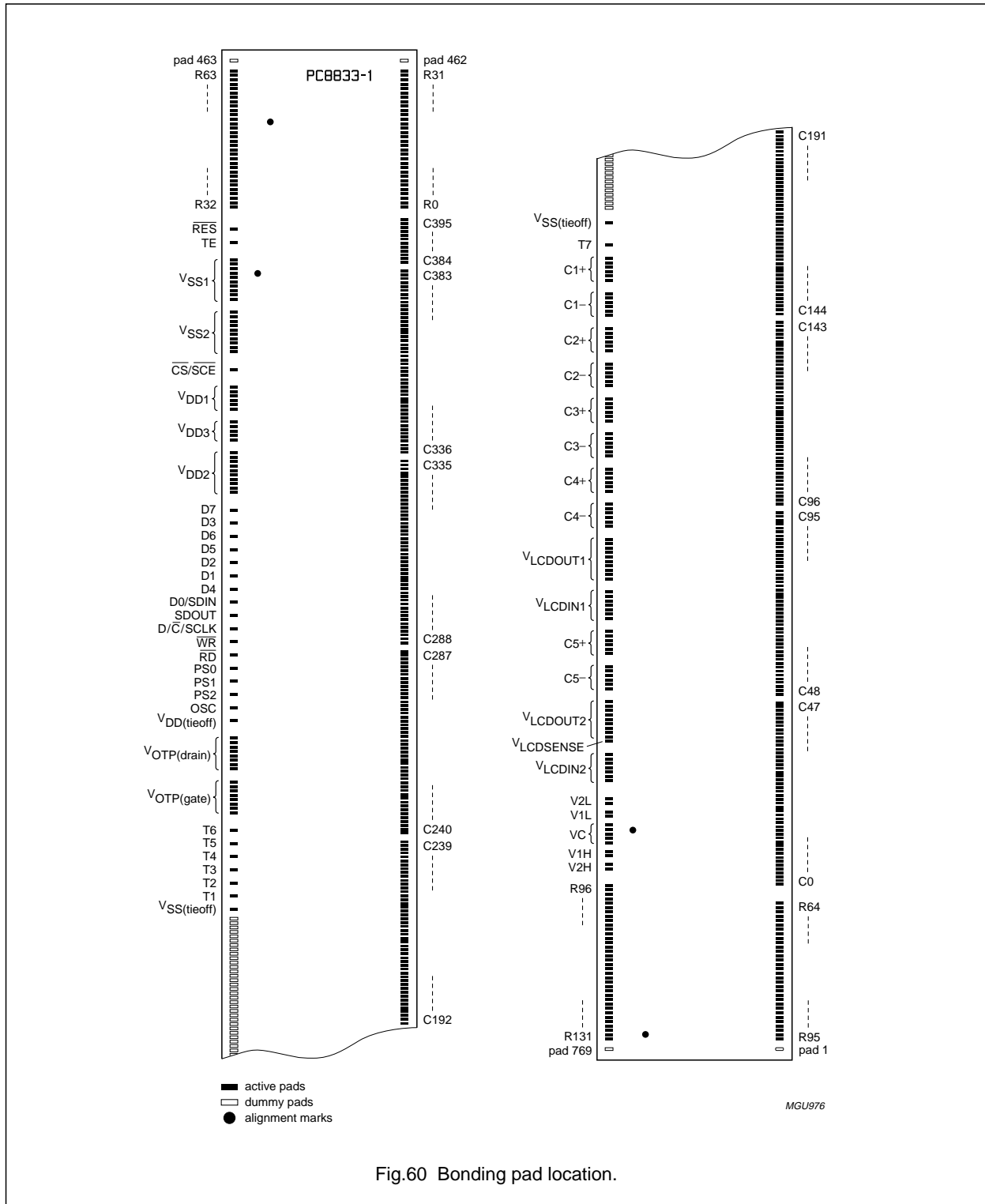


Fig.60 Bonding pad location.



## STN RGB - 132 × 132 × 3 driver

## PCF8833

**Table 99** Bonding pad locations

All x and y coordinates are referenced to the centre of the chip (dimensions in  $\mu\text{m}$ ; see Fig.61).

SYMBOL	PAD	COORDINATES	
		x	y
dummy	1	-11351.208	-1035.694
R95	2	-11231.880	-1035.694
R94	3	-11179.080	-1035.694
R93	4	-11126.280	-1035.694
R92	5	-11073.480	-1035.694
R91	6	-11020.680	-1035.694
R90	7	-10967.880	-1035.694
R89	8	-10915.080	-1035.694
R88	9	-10862.280	-1035.694
R87	10	-10809.480	-1035.694
R86	11	-10756.680	-1035.694
R85	12	-10703.880	-1035.694
R84	13	-10651.080	-1035.694
R83	14	-10598.280	-1035.694
R82	15	-10545.480	-1035.694
R81	16	-10492.680	-1035.694
R80	17	-10439.880	-1035.694
R79	18	-10387.080	-1035.694
R78	19	-10334.280	-1035.694
R77	20	-10281.480	-1035.694
R76	21	-10228.680	-1035.694
R75	22	-10175.880	-1035.694
R74	23	-10123.080	-1035.694
R73	24	-10070.280	-1035.694
R72	25	-10017.480	-1035.694
R71	26	-9964.680	-1035.694
R70	27	-9911.880	-1035.694
R69	28	-9859.080	-1035.694
R68	29	-9806.280	-1035.694
R67	30	-9753.480	-1035.694
R66	31	-9700.680	-1035.694
R65	32	-9647.880	-1035.694
R64	33	-9595.080	-1035.694
C0	34	-9369.448	-1030.568
C1	35	-9322.984	-1030.568
C2	36	-9276.520	-1030.568
C3	37	-9230.056	-1030.568

SYMBOL	PAD	COORDINATES	
		x	y
C4	38	-9183.592	-1030.568
C5	39	-9137.128	-1030.568
C6	40	-9090.664	-1030.568
C7	41	-9044.200	-1030.568
C8	42	-8997.736	-1030.568
C9	43	-8951.272	-1030.568
C10	44	-8904.808	-1030.568
C11	45	-8858.344	-1030.568
C12	46	-8811.880	-1030.568
C13	47	-8765.416	-1030.568
C14	48	-8718.952	-1030.568
C15	49	-8672.488	-1030.568
C16	50	-8626.024	-1030.568
C17	51	-8579.560	-1030.568
C18	52	-8533.096	-1030.568
C19	53	-8486.632	-1030.568
C20	54	-8440.168	-1030.568
C21	55	-8393.704	-1030.568
C22	56	-8347.240	-1030.568
C23	57	-8300.776	-1030.568
C24	58	-8254.312	-1030.568
C25	59	-8207.848	-1030.568
C26	60	-8161.384	-1030.568
C27	61	-8114.920	-1030.568
C28	62	-8068.456	-1030.568
C29	63	-8021.992	-1030.568
C30	64	-7975.528	-1030.568
C31	65	-7929.064	-1030.568
C32	66	-7882.600	-1030.568
C33	67	-7836.136	-1030.568
C34	68	-7789.672	-1030.568
C35	69	-7743.208	-1030.568
C36	70	-7696.744	-1030.568
C37	71	-7650.280	-1030.568
C38	72	-7603.816	-1030.568
C39	73	-7557.352	-1030.568
C40	74	-7510.888	-1030.568
C41	75	-7464.424	-1030.568
C42	76	-7417.960	-1030.568

## STN RGB - 132 × 132 × 3 driver

## PCF8833

SYMBOL	PAD	COORDINATES	
		x	y
C43	77	-7371.496	-1030.568
C44	78	-7325.032	-1030.568
C45	79	-7278.568	-1030.568
C46	80	-7232.104	-1030.568
C47	81	-7185.640	-1030.568
C48	82	-7081.976	-1030.568
C49	83	-7035.512	-1030.568
C50	84	-6989.048	-1030.568
C51	85	-6942.584	-1030.568
C52	86	-6896.120	-1030.568
C53	87	-6849.656	-1030.568
C54	88	-6803.192	-1030.568
C55	89	-6756.728	-1030.568
C56	90	-6710.264	-1030.568
C57	91	-6663.800	-1030.568
C58	92	-6617.336	-1030.568
C59	93	-6570.872	-1030.568
C60	94	-6524.408	-1030.568
C61	95	-6477.944	-1030.568
C62	96	-6431.480	-1030.568
C63	97	-6385.016	-1030.568
C64	98	-6338.552	-1030.568
C65	99	-6292.088	-1030.568
C66	100	-6245.624	-1030.568
C67	101	-6199.160	-1030.568
C68	102	-6152.696	-1030.568
C69	103	-6106.232	-1030.568
C70	104	-6059.768	-1030.568
C71	105	-6013.304	-1030.568
C72	106	-5966.840	-1030.568
C73	107	-5920.376	-1030.568
C74	108	-5873.912	-1030.568
C75	109	-5827.448	-1030.568
C76	110	-5780.984	-1030.568
C77	111	-5734.520	-1030.568
C78	112	-5688.056	-1030.568
C79	113	-5641.592	-1030.568
C80	114	-5595.128	-1030.568
C81	115	-5548.664	-1030.568

SYMBOL	PAD	COORDINATES	
		x	y
C82	116	-5502.200	-1030.568
C83	117	-5455.736	-1030.568
C84	118	-5409.272	-1030.568
C85	119	-5362.808	-1030.568
C86	120	-5316.344	-1030.568
C87	121	-5269.880	-1030.568
C88	122	-5223.416	-1030.568
C89	123	-5176.952	-1030.568
C90	124	-5130.488	-1030.568
C91	125	-5084.024	-1030.568
C92	126	-5037.560	-1030.568
C93	127	-4991.096	-1030.568
C94	128	-4944.632	-1030.568
C95	129	-4898.168	-1030.568
C96	130	-4794.504	-1030.568
C97	131	-4748.040	-1030.568
C98	132	-4701.576	-1030.568
C99	133	-4655.112	-1030.568
C100	134	-4608.648	-1030.568
C101	135	-4562.184	-1030.568
C102	136	-4515.720	-1030.568
C103	137	-4469.256	-1030.568
C104	138	-4422.792	-1030.568
C105	139	-4376.328	-1030.568
C106	140	-4329.864	-1030.568
C107	141	-4283.400	-1030.568
C108	142	-4236.936	-1030.568
C109	143	-4190.472	-1030.568
C110	144	-4144.008	-1030.568
C111	145	-4097.544	-1030.568
C112	146	-4051.080	-1030.568
C113	147	-4004.616	-1030.568
C114	148	-3958.152	-1030.568
C115	149	-3911.688	-1030.568
C116	150	-3865.224	-1030.568
C117	151	-3818.760	-1030.568
C118	152	-3772.296	-1030.568
C119	153	-3725.832	-1030.568
C120	154	-3679.368	-1030.568

## STN RGB - 132 × 132 × 3 driver

## PCF8833

SYMBOL	PAD	COORDINATES	
		x	y
C121	155	-3632.904	-1 030.568
C122	156	-3586.440	-1 030.568
C123	157	-3539.976	-1 030.568
C124	158	-3493.512	-1 030.568
C125	159	-3447.048	-1 030.568
C126	160	-3400.584	-1 030.568
C127	161	-3354.120	-1 030.568
C128	162	-3307.656	-1 030.568
C129	163	-3261.192	-1 030.568
C130	164	-3214.728	-1 030.568
C131	165	-3168.264	-1 030.568
C132	166	-3121.800	-1 030.568
C133	167	-3075.336	-1 030.568
C134	168	-3028.872	-1 030.568
C135	169	-2982.408	-1 030.568
C136	170	-2935.944	-1 030.568
C137	171	-2889.480	-1 030.568
C138	172	-2843.016	-1 030.568
C139	173	-2796.552	-1 030.568
C140	174	-2750.088	-1 030.568
C141	175	-2703.624	-1 030.568
C142	176	-2657.160	-1 030.568
C143	177	-2610.696	-1 030.568
C144	178	-2507.032	-1 030.568
C145	179	-2460.568	-1 030.568
C146	180	-2414.104	-1 030.568
C147	181	-2367.640	-1 030.568
C148	182	-2321.176	-1 030.568
C149	183	-2274.712	-1 030.568
C150	184	-2228.248	-1 030.568
C151	185	-2181.784	-1 030.568
C152	186	-2135.320	-1 030.568
C153	187	-2088.856	-1 030.568
C154	188	-2042.392	-1 030.568
C155	189	-1995.928	-1 030.568
C156	190	-1949.464	-1 030.568
C157	191	-1903.000	-1 030.568
C158	192	-1856.536	-1 030.568
C159	193	-1810.072	-1 030.568

SYMBOL	PAD	COORDINATES	
		x	y
C160	194	-1763.608	-1 030.568
C161	195	-1717.144	-1 030.568
C162	196	-1670.680	-1 030.568
C163	197	-1624.216	-1 030.568
C164	198	-1577.752	-1 030.568
C165	199	-1531.288	-1 030.568
C166	200	-1484.824	-1 030.568
C167	201	-1438.360	-1 030.568
C168	202	-1391.896	-1 030.568
C169	203	-1345.432	-1 030.568
C170	204	-1298.968	-1 030.568
C171	205	-1252.504	-1 030.568
C172	206	-1206.040	-1 030.568
C173	207	-1159.576	-1 030.568
C174	208	-1113.112	-1 030.568
C175	209	-1066.648	-1 030.568
C176	210	-1020.184	-1 030.568
C177	211	-973.720	-1 030.568
C178	212	-927.256	-1 030.568
C179	213	-880.792	-1 030.568
C180	214	-834.328	-1 030.568
C181	215	-787.864	-1 030.568
C182	216	-741.400	-1 030.568
C183	217	-694.936	-1 030.568
C184	218	-648.472	-1 030.568
C185	219	-602.008	-1 030.568
C186	220	-555.544	-1 030.568
C187	221	-509.080	-1 030.568
C188	222	-462.616	-1 030.568
C189	223	-416.152	-1 030.568
C190	224	-369.688	-1 030.568
C191	225	-323.224	-1 030.568
C192	226	-219.560	-1 030.568
C193	227	-173.096	-1 030.568
C194	228	-126.632	-1 030.568
C195	229	-80.168	-1 030.568
C196	230	-33.704	-1 030.568
C197	231	+12.760	-1 030.568
C198	232	+59.224	-1 030.568

## STN RGB - 132 × 132 × 3 driver

## PCF8833

SYMBOL	PAD	COORDINATES	
		x	y
C199	233	+105.688	-1 030.568
C200	234	+152.152	-1 030.568
C201	235	+198.616	-1 030.568
C202	236	+245.080	-1 030.568
C203	237	+291.544	-1 030.568
C204	238	+338.008	-1 030.568
C205	239	+384.472	-1 030.568
C206	240	+430.936	-1 030.568
C207	241	+477.400	-1 030.568
C208	242	+523.864	-1 030.568
C209	243	+570.328	-1 030.568
C210	244	+616.792	-1 030.568
C211	245	+663.256	-1 030.568
C212	246	+709.720	-1 030.568
C213	247	+756.184	-1 030.568
C214	248	+802.648	-1 030.568
C215	249	+849.112	-1 030.568
C216	250	+895.576	-1 030.568
C217	251	+942.040	-1 030.568
C218	252	+988.504	-1 030.568
C219	253	+1 034.968	-1 030.568
C220	254	+1 081.432	-1 030.568
C221	255	+1 127.896	-1 030.568
C222	256	+1 174.360	-1 030.568
C223	257	+1 220.824	-1 030.568
C224	258	+1 267.288	-1 030.568
C225	259	+1 313.752	-1 030.568
C226	260	+1 360.216	-1 030.568
C227	261	+1 406.680	-1 030.568
C228	262	+1 453.144	-1 030.568
C229	263	+1 499.608	-1 030.568
C230	264	+1 546.072	-1 030.568
C231	265	+1 592.536	-1 030.568
C232	266	+1 639.000	-1 030.568
C233	267	+1 685.464	-1 030.568
C234	268	+1 731.928	-1 030.568
C235	269	+1 778.392	-1 030.568
C236	270	+1 824.856	-1 030.568
C237	271	+1 871.320	-1 030.568

SYMBOL	PAD	COORDINATES	
		x	y
C238	272	+1 917.784	-1 030.568
C239	273	+1 964.248	-1 030.568
C240	274	+2 067.912	-1 030.568
C241	275	+2 114.376	-1 030.568
C242	276	+2 160.840	-1 030.568
C243	277	+2 207.304	-1 030.568
C244	278	+2 253.768	-1 030.568
C245	279	+2 300.232	-1 030.568
C246	280	+2 346.696	-1 030.568
C247	281	+2 393.160	-1 030.568
C248	282	+2 439.624	-1 030.568
C249	283	+2 486.088	-1 030.568
C250	284	+2 532.552	-1 030.568
C251	285	+2 579.016	-1 030.568
C252	286	+2 625.480	-1 030.568
C253	287	+2 671.944	-1 030.568
C254	288	+2 718.408	-1 030.568
C255	289	+2 764.872	-1 030.568
C256	290	+2 811.336	-1 030.568
C257	291	+2 857.800	-1 030.568
C258	292	+2 904.264	-1 030.568
C259	293	+2 950.728	-1 030.568
C260	294	+2 997.192	-1 030.568
C261	295	+3 043.656	-1 030.568
C262	296	+3 090.120	-1 030.568
C263	297	+3 136.584	-1 030.568
C264	298	+3 183.048	-1 030.568
C265	299	+3 229.512	-1 030.568
C266	300	+3 275.976	-1 030.568
C267	301	+3 322.440	-1 030.568
C268	302	+3 368.904	-1 030.568
C269	303	+3 415.368	-1 030.568
C270	304	+3 461.832	-1 030.568
C271	305	+3 508.296	-1 030.568
C272	306	+3 554.760	-1 030.568
C273	307	+3 601.224	-1 030.568
C274	308	+3 647.688	-1 030.568
C275	309	+3 694.152	-1 030.568
C276	310	+3 740.616	-1 030.568

## STN RGB - 132 × 132 × 3 driver

## PCF8833

SYMBOL	PAD	COORDINATES	
		x	y
C277	311	+3787.080	-1030.568
C278	312	+3833.544	-1030.568
C279	313	+3880.008	-1030.568
C280	314	+3926.472	-1030.568
C281	315	+3972.936	-1030.568
C282	316	+4019.400	-1030.568
C283	317	+4065.864	-1030.568
C284	318	+4112.328	-1030.568
C285	319	+4158.792	-1030.568
C286	320	+4205.256	-1030.568
C287	321	+4251.720	-1030.568
C288	322	+4355.384	-1030.568
C289	323	+4401.848	-1030.568
C290	324	+4448.312	-1030.568
C291	325	+4494.776	-1030.568
C292	326	+4541.240	-1030.568
C293	327	+4587.704	-1030.568
C294	328	+4634.168	-1030.568
C295	329	+4680.632	-1030.568
C296	330	+4727.096	-1030.568
C297	331	+4773.560	-1030.568
C298	332	+4820.024	-1030.568
C299	333	+4866.488	-1030.568
C300	334	+4912.952	-1030.568
C301	335	+4959.416	-1030.568
C302	336	+5005.880	-1030.568
C303	337	+5052.344	-1030.568
C304	338	+5098.808	-1030.568
C305	339	+5145.272	-1030.568
C306	340	+5191.736	-1030.568
C307	341	+5238.200	-1030.568
C308	342	+5284.664	-1030.568
C309	343	+5331.128	-1030.568
C310	344	+5377.592	-1030.568
C311	345	+5424.056	-1030.568
C312	346	+5470.520	-1030.568
C313	347	+5516.984	-1030.568
C314	348	+5563.448	-1030.568
C315	349	+5609.912	-1030.568

SYMBOL	PAD	COORDINATES	
		x	y
C316	350	+5656.376	-1030.568
C317	351	+5702.840	-1030.568
C318	352	+5749.304	-1030.568
C319	353	+5795.768	-1030.568
C320	354	+5842.232	-1030.568
C321	355	+5888.696	-1030.568
C322	356	+5935.160	-1030.568
C323	357	+5981.624	-1030.568
C324	358	+6028.088	-1030.568
C325	359	+6074.552	-1030.568
C326	360	+6121.016	-1030.568
C327	361	+6167.480	-1030.568
C328	362	+6213.944	-1030.568
C329	363	+6260.408	-1030.568
C330	364	+6306.872	-1030.568
C331	365	+6353.336	-1030.568
C332	366	+6399.800	-1030.568
C333	367	+6446.264	-1030.568
C334	368	+6492.728	-1030.568
C335	369	+6539.192	-1030.568
C336	370	+6642.856	-1030.568
C337	371	+6689.320	-1030.568
C338	372	+6735.784	-1030.568
C339	373	+6782.248	-1030.568
C340	374	+6828.712	-1030.568
C341	375	+6875.176	-1030.568
C342	376	+6921.640	-1030.568
C343	377	+6968.104	-1030.568
C344	378	+7014.568	-1030.568
C345	379	+7061.032	-1030.568
C346	380	+7107.496	-1030.568
C347	381	+7153.960	-1030.568
C348	382	+7200.424	-1030.568
C349	383	+7246.888	-1030.568
C350	384	+7293.352	-1030.568
C351	385	+7339.816	-1030.568
C352	386	+7386.280	-1030.568
C353	387	+7432.744	-1030.568
C354	388	+7479.208	-1030.568

## STN RGB - 132 × 132 × 3 driver

## PCF8833

SYMBOL	PAD	COORDINATES	
		x	y
C355	389	+7525.672	-1030.568
C356	390	+7572.136	-1030.568
C357	391	+7618.600	-1030.568
C358	392	+7665.064	-1030.568
C359	393	+7711.528	-1030.568
C360	394	+7757.992	-1030.568
C361	395	+7804.456	-1030.568
C362	396	+7850.920	-1030.568
C363	397	+7897.384	-1030.568
C364	398	+7943.848	-1030.568
C365	399	+7990.312	-1030.568
C366	400	+8036.776	-1030.568
C367	401	+8083.240	-1030.568
C368	402	+8129.704	-1030.568
C369	403	+8176.168	-1030.568
C370	404	+8222.632	-1030.568
C371	405	+8269.096	-1030.568
C372	406	+8315.560	-1030.568
C373	407	+8362.024	-1030.568
C374	408	+8408.488	-1030.568
C375	409	+8454.952	-1030.568
C376	410	+8501.416	-1030.568
C377	411	+8547.880	-1030.568
C378	412	+8594.344	-1030.568
C379	413	+8640.808	-1030.568
C380	414	+8687.272	-1030.568
C381	415	+8733.736	-1030.568
C382	416	+8780.200	-1030.568
C383	417	+8826.664	-1030.568
C384	418	+8930.328	-1030.568
C385	419	+8976.792	-1030.568
C386	420	+9023.256	-1030.568
C387	421	+9069.720	-1030.568
C388	422	+9116.184	-1030.568
C389	423	+9162.648	-1030.568
C390	424	+9209.112	-1030.568
C391	425	+9255.576	-1030.568
C392	426	+9302.040	-1030.568
C393	427	+9348.504	-1030.568

SYMBOL	PAD	COORDINATES	
		x	y
C394	428	+9394.968	-1030.568
C395	429	+9441.432	-1030.568
R0	430	+9596.664	-1035.694
R1	431	+9649.464	-1035.694
R2	432	+9702.264	-1035.694
R3	433	+9755.064	-1035.694
R4	434	+9807.864	-1035.694
R5	435	+9860.664	-1035.694
R6	436	+9913.464	-1035.694
R7	437	+9966.264	-1035.694
R8	438	+10019.064	-1035.694
R9	439	+10071.864	-1035.694
R10	440	+10124.664	-1035.694
R11	441	+10177.464	-1035.694
R12	442	+10230.264	-1035.694
R13	443	+10283.064	-1035.694
R14	444	+10335.864	-1035.694
R15	445	+10388.664	-1035.694
R16	446	+10441.464	-1035.694
R17	447	+10494.264	-1035.694
R18	448	+10547.064	-1035.694
R19	449	+10599.864	-1035.694
R20	450	+10652.664	-1035.694
R21	451	+10705.464	-1035.694
R22	452	+10758.264	-1035.694
R23	453	+10811.064	-1035.694
R24	454	+10863.864	-1035.694
R25	455	+10916.664	-1035.694
R26	456	+10969.464	-1035.694
R27	457	+11022.264	-1035.694
R28	458	+11075.064	-1035.694
R29	459	+11127.864	-1035.694
R30	460	+11180.664	-1035.694
R31	461	+11233.464	-1035.694
dummy	462	+11358.424	-1035.694
dummy	463	+11358.424	+1035.694
R63	464	+11233.464	+1035.694
R62	465	+11180.664	+1035.694
R61	466	+11127.864	+1035.694

## STN RGB - 132 × 132 × 3 driver

## PCF8833

SYMBOL	PAD	COORDINATES	
		x	y
R60	467	+11075.064	+1035.694
R59	468	+11022.264	+1035.694
R58	469	+10969.464	+1035.694
R57	470	+10916.664	+1035.694
R56	471	+10863.864	+1035.694
R55	472	+10811.064	+1035.694
R54	473	+10758.264	+1035.694
R53	474	+10705.464	+1035.694
R52	475	+10652.664	+1035.694
R51	476	+10599.864	+1035.694
R50	477	+10547.064	+1035.694
R49	478	+10494.264	+1035.694
R48	479	+10441.464	+1035.694
R47	480	+10388.664	+1035.694
R46	481	+10335.864	+1035.694
R45	482	+10283.064	+1035.694
R44	483	+10230.264	+1035.694
R43	484	+10177.464	+1035.694
R42	485	+10124.664	+1035.694
R41	486	+10071.864	+1035.694
R40	487	+10019.064	+1035.694
R39	488	+9966.264	+1035.694
R38	489	+9913.464	+1035.694
R37	490	+9860.664	+1035.694
R36	491	+9807.864	+1035.694
R35	492	+9755.064	+1035.694
R34	493	+9702.264	+1035.694
R33	494	+9649.464	+1035.694
R32	495	+9596.664	+1035.694
RES	496	+9332.664	+1035.694
TE	497	+9174.264	+1035.694
V <sub>SS1</sub>	498	+8963.064	+1035.694
V <sub>SS1</sub>	499	+8910.264	+1035.694
V <sub>SS1</sub>	500	+8857.464	+1035.694
V <sub>SS1</sub>	501	+8804.664	+1035.694
V <sub>SS1</sub>	502	+8751.864	+1035.694
V <sub>SS1</sub>	503	+8699.064	+1035.694
V <sub>SS1</sub>	504	+8646.264	+1035.694
V <sub>SS1</sub>	505	+8593.464	+1035.694

SYMBOL	PAD	COORDINATES	
		x	y
V <sub>SS1</sub>	506	+8540.664	+1035.694
V <sub>SS1</sub>	507	+8487.864	+1035.694
V <sub>SS2</sub>	508	+8329.464	+1035.694
V <sub>SS2</sub>	509	+8276.664	+1035.694
V <sub>SS2</sub>	510	+8223.864	+1035.694
V <sub>SS2</sub>	511	+8171.064	+1035.694
V <sub>SS2</sub>	512	+8118.264	+1035.694
V <sub>SS2</sub>	513	+8065.464	+1035.694
V <sub>SS2</sub>	514	+8012.664	+1035.694
V <sub>SS2</sub>	515	+7959.864	+1035.694
V <sub>SS2</sub>	516	+7907.064	+1035.694
V <sub>SS2</sub>	517	+7854.264	+1035.694
CS/SCE	518	+7643.064	+1035.694
V <sub>DD1</sub>	519	+7431.864	+1035.694
V <sub>DD1</sub>	520	+7379.064	+1035.694
V <sub>DD1</sub>	521	+7326.264	+1035.694
V <sub>DD1</sub>	522	+7273.464	+1035.694
V <sub>DD1</sub>	523	+7220.664	+1035.694
V <sub>DD1</sub>	524	+7167.864	+1035.694
V <sub>DD3</sub>	525	+7009.464	+1035.694
V <sub>DD3</sub>	526	+6956.664	+1035.694
V <sub>DD3</sub>	527	+6903.864	+1035.694
V <sub>DD3</sub>	528	+6851.064	+1035.694
V <sub>DD3</sub>	529	+6798.264	+1035.694
V <sub>DD2</sub>	530	+6639.864	+1035.694
V <sub>DD2</sub>	531	+6587.064	+1035.694
V <sub>DD2</sub>	532	+6534.264	+1035.694
V <sub>DD2</sub>	533	+6481.464	+1035.694
V <sub>DD2</sub>	534	+6428.664	+1035.694
V <sub>DD2</sub>	535	+6375.864	+1035.694
V <sub>DD2</sub>	536	+6323.064	+1035.694
V <sub>DD2</sub>	537	+6270.264	+1035.694
V <sub>DD2</sub>	538	+6217.464	+1035.694
V <sub>DD2</sub>	539	+6164.664	+1035.694
D7	540	+5953.464	+1035.694
D3	541	+5795.064	+1035.694
D6	542	+5636.664	+1035.694
D2	543	+5478.264	+1035.694
D5	544	+5319.864	+1035.694



## STN RGB - 132 × 132 × 3 driver

## PCF8833

SYMBOL	PAD	COORDINATES	
		x	y
D1	545	+5161.464	+1035.694
D4	546	+5003.064	+1035.694
D0/SDIN	547	+4844.664	+1035.694
SDOUT	548	+4686.264	+1035.694
$\overline{DC}/SCLK$	549	+4527.864	+1035.694
$\overline{WR}$	550	+4369.464	+1035.694
$\overline{RD}$	551	+4211.064	+1035.694
PS0	552	+4052.664	+1035.694
PS1	553	+3894.264	+1035.694
PS2	554	+3735.864	+1035.694
OSC	555	+3577.464	+1035.694
V <sub>DDTIEOFF</sub>	556	+3419.064	+1035.694
V <sub>OTPdrain</sub>	557	+3207.864	+1035.694
V <sub>OTPdrain</sub>	558	+3155.064	+1035.694
V <sub>OTPdrain</sub>	559	+3102.264	+1035.694
V <sub>OTPdrain</sub>	560	+3049.464	+1035.694
V <sub>OTPdrain</sub>	561	+2996.664	+1035.694
V <sub>OTPdrain</sub>	562	+2943.864	+1035.694
V <sub>OTPdrain</sub>	563	+2891.064	+1035.694
V <sub>OTPdrain</sub>	564	+2838.264	+1035.694
V <sub>OTPg</sub> ate	565	+2679.864	+1035.694
V <sub>OTPg</sub> ate	566	+2627.064	+1035.694
V <sub>OTPg</sub> ate	567	+2574.264	+1035.694
V <sub>OTPg</sub> ate	568	+2521.464	+1035.694
V <sub>OTPg</sub> ate	569	+2468.664	+1035.694
V <sub>OTPg</sub> ate	570	+2415.864	+1035.694
V <sub>OTPg</sub> ate	571	+2363.064	+1035.694
V <sub>OTPg</sub> ate	572	+2310.264	+1035.694
T6	573	+2099.064	+1035.694
T5	574	+1940.664	+1035.694
T4	575	+1782.264	+1035.694
T3	576	+1623.864	+1035.694
T2	577	+1465.464	+1035.694
T1	578	+1307.064	+1035.694
V <sub>SSTIEOFF</sub>	579	+1148.664	+1035.694
dummy	580	+1037.080	+1035.694
dummy	581	+984.280	+1035.694
dummy	582	+931.480	+1035.694
dummy	583	+878.680	+1035.694

SYMBOL	PAD	COORDINATES	
		x	y
dummy	584	+825.880	+1035.694
dummy	585	+773.080	+1035.694
dummy	586	+720.280	+1035.694
dummy	587	+667.480	+1035.694
dummy	588	+614.680	+1035.694
dummy	589	+561.880	+1035.694
dummy	590	+509.080	+1035.694
dummy	591	+456.280	+1035.694
dummy	592	+403.480	+1035.694
dummy	593	+350.680	+1035.694
dummy	594	+297.880	+1035.694
dummy	595	+245.080	+1035.694
dummy	596	+192.280	+1035.694
dummy	597	+139.480	+1035.694
dummy	598	+86.680	+1035.694
dummy	599	+33.880	+1035.694
dummy	600	-18.920	+1035.694
dummy	601	-71.720	+1035.694
dummy	602	-124.520	+1035.694
dummy	603	-177.320	+1035.694
dummy	604	-230.120	+1035.694
dummy	605	-282.920	+1035.694
dummy	606	-335.720	+1035.694
dummy	607	-388.520	+1035.694
dummy	608	-441.320	+1035.694
dummy	609	-494.120	+1035.694
dummy	610	-546.920	+1035.694
dummy	611	-599.720	+1035.694
dummy	612	-652.520	+1035.694
dummy	613	-705.320	+1035.694
dummy	614	-758.120	+1035.694
dummy	615	-810.920	+1035.694
dummy	616	-863.720	+1035.694
dummy	617	-916.520	+1035.694
dummy	618	-969.320	+1035.694
dummy	619	-1022.120	+1035.694
dummy	620	-1074.920	+1035.694
dummy	621	-1127.720	+1035.694
dummy	622	-1180.520	+1035.694



## STN RGB - 132 × 132 × 3 driver

## PCF8833

SYMBOL	PAD	COORDINATES	
		x	y
dummy	623	-1233.320	+1035.694
V <sub>SSTIEOFF</sub>	624	-1410.904	+1035.694
T7	625	-1683.176	+1035.694
C1+	626	-1841.576	+1035.694
C1+	627	-1894.376	+1035.694
C1+	628	-1947.176	+1035.694
C1+	629	-1999.976	+1035.694
C1+	630	-2052.776	+1035.694
C1+	631	-2105.576	+1035.694
C1-	632	-2263.976	+1035.694
C1-	633	-2316.776	+1035.694
C1-	634	-2369.576	+1035.694
C1-	635	-2422.376	+1035.694
C1-	636	-2475.176	+1035.694
C1-	637	-2527.976	+1035.694
C2+	638	-2686.376	+1035.694
C2+	639	-2739.176	+1035.694
C2+	640	-2791.976	+1035.694
C2+	641	-2844.776	+1035.694
C2+	642	-2897.576	+1035.694
C2+	643	-2950.376	+1035.694
C2-	644	-3108.776	+1035.694
C2-	645	-3161.576	+1035.694
C2-	646	-3214.376	+1035.694
C2-	647	-3267.176	+1035.694
C2-	648	-3319.976	+1035.694
C2-	649	-3372.776	+1035.694
C3+	650	-3531.176	+1035.694
C3+	651	-3583.976	+1035.694
C3+	652	-3636.776	+1035.694
C3+	653	-3689.576	+1035.694
C3+	654	-3742.376	+1035.694
C3+	655	-3795.176	+1035.694
C3-	656	-3953.576	+1035.694
C3-	657	-4006.376	+1035.694
C3-	658	-4059.176	+1035.694
C3-	659	-4111.976	+1035.694
C3-	660	-4164.776	+1035.694
C3-	661	-4217.576	+1035.694

SYMBOL	PAD	COORDINATES	
		x	y
C4+	662	-4375.976	+1035.694
C4+	663	-4428.776	+1035.694
C4+	664	-4481.576	+1035.694
C4+	665	-4534.376	+1035.694
C4+	666	-4587.176	+1035.694
C4+	667	-4639.976	+1035.694
C4-	668	-4798.376	+1035.694
C4-	669	-4851.176	+1035.694
C4-	670	-4903.976	+1035.694
C4-	671	-4956.776	+1035.694
C4-	672	-5009.576	+1035.694
C4-	673	-5062.376	+1035.694
V <sub>LCDOUT1</sub>	674	-5220.776	+1035.694
V <sub>LCDOUT1</sub>	675	-5273.576	+1035.694
V <sub>LCDOUT1</sub>	676	-5326.376	+1035.694
V <sub>LCDOUT1</sub>	677	-5379.176	+1035.694
V <sub>LCDOUT1</sub>	678	-5431.976	+1035.694
V <sub>LCDOUT1</sub>	679	-5484.776	+1035.694
V <sub>LCDOUT1</sub>	680	-5537.576	+1035.694
V <sub>LCDOUT1</sub>	681	-5590.376	+1035.694
V <sub>LCDOUT1</sub>	682	-5643.176	+1035.694
V <sub>LCDOUT1</sub>	683	-5695.976	+1035.694
V <sub>LCDIN1</sub>	684	-5854.376	+1035.694
V <sub>LCDIN1</sub>	685	-5907.176	+1035.694
V <sub>LCDIN1</sub>	686	-5959.976	+1035.694
V <sub>LCDIN1</sub>	687	-6012.776	+1035.694
V <sub>LCDIN1</sub>	688	-6065.576	+1035.694
V <sub>LCDIN1</sub>	689	-6118.376	+1035.694
V <sub>LCDIN1</sub>	690	-6171.176	+1035.694
C5+	691	-6329.576	+1035.694
C5+	692	-6382.376	+1035.694
C5+	693	-6435.176	+1035.694
C5+	694	-6487.976	+1035.694
C5+	695	-6540.776	+1035.694
C5+	696	-6593.576	+1035.694
C5-	697	-6751.976	+1035.694
C5-	698	-6804.776	+1035.694
C5-	699	-6857.576	+1035.694
C5-	700	-6910.376	+1035.694

## STN RGB - 132 × 132 × 3 driver

## PCF8833

SYMBOL	PAD	COORDINATES	
		x	y
C5-	701	-6963.176	+1035.694
C5-	702	-7015.976	+1035.694
V <sub>LCDOUT2</sub>	703	-7174.376	+1035.694
V <sub>LCDOUT2</sub>	704	-7227.176	+1035.694
V <sub>LCDOUT2</sub>	705	-7279.976	+1035.694
V <sub>LCDOUT2</sub>	706	-7332.776	+1035.694
V <sub>LCDOUT2</sub>	707	-7385.576	+1035.694
V <sub>LCDOUT2</sub>	708	-7438.376	+1035.694
V <sub>LCDOUT2</sub>	709	-7491.176	+1035.694
V <sub>LCDOUT2</sub>	710	-7543.976	+1035.694
V <sub>LCDOUT2</sub>	711	-7596.776	+1035.694
V <sub>LCDSENSE</sub>	712	-7649.576	+1035.694
V <sub>LCDIN2</sub>	713	-7807.976	+1035.694
V <sub>LCDIN2</sub>	714	-7860.776	+1035.694
V <sub>LCDIN2</sub>	715	-7913.576	+1035.694
V <sub>LCDIN2</sub>	716	-7966.376	+1035.694
V <sub>LCDIN2</sub>	717	-8019.176	+1035.694
V <sub>LCDIN2</sub>	718	-8071.976	+1035.694
V <sub>LCDIN2</sub>	719	-8124.776	+1035.694
V2L	720	-8341.212	+1035.694
V2L	721	-8394.012	+1035.694
V1L	722	-8499.612	+1035.694
V1L	723	-8552.412	+1035.694
VC	724	-8658.012	+1035.694
VC	725	-8710.812	+1035.694
VC	726	-8763.612	+1035.694
VC	727	-8816.412	+1035.694
VC	728	-8869.212	+1035.694
V1H	729	-8974.812	+1035.694
V1H	730	-9027.612	+1035.694
V2H	731	-9133.212	+1035.694
V2H	732	-9186.012	+1035.694
R96	733	-9383.880	+1035.694
R97	734	-9436.680	+1035.694
R98	735	-9489.480	+1035.694
R99	736	-9542.280	+1035.694
R100	737	-9595.080	+1035.694
R101	738	-9647.880	+1035.694
R102	739	-9700.680	+1035.694

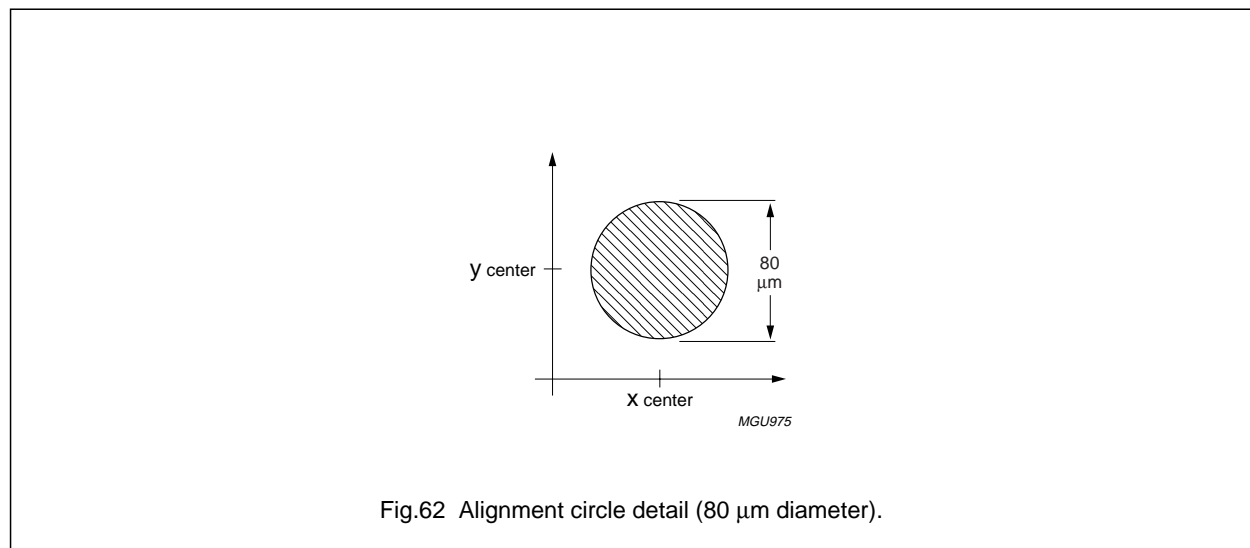
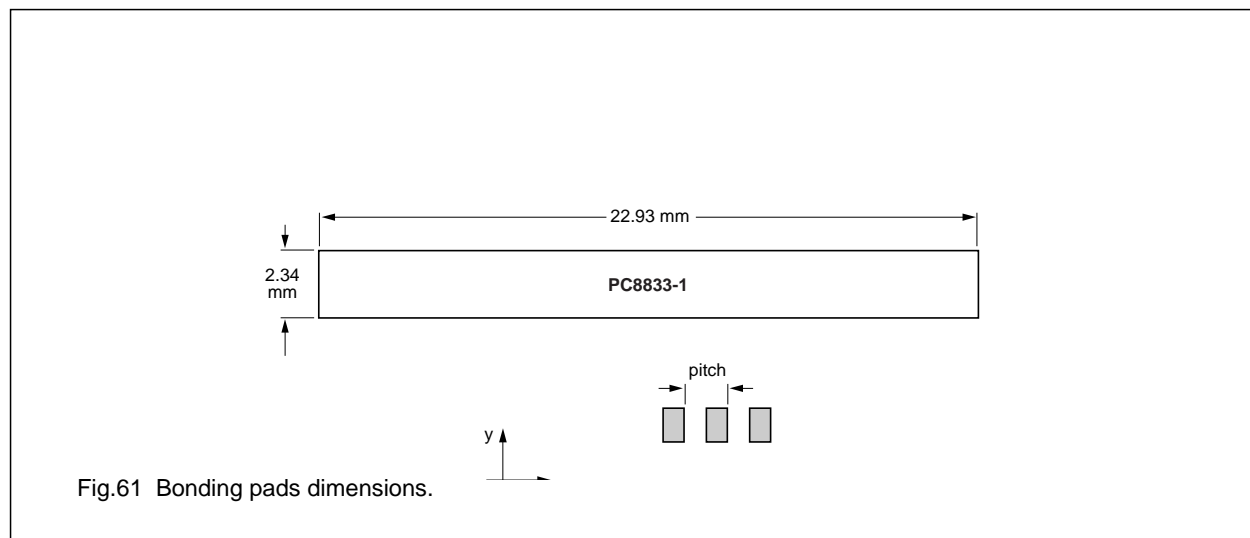
SYMBOL	PAD	COORDINATES	
		x	y
R103	740	-9753.480	+1035.694
R104	741	-9806.280	+1035.694
R105	742	-9859.080	+1035.694
R106	743	-9911.880	+1035.694
R107	744	-9964.680	+1035.694
R108	745	-10017.480	+1035.694
R109	746	-10070.280	+1035.694
R110	747	-10123.080	+1035.694
R111	748	-10175.880	+1035.694
R112	749	-10228.680	+1035.694
R113	750	-10281.480	+1035.694
R114	751	-10334.280	+1035.694
R115	752	-10387.080	+1035.694
R116	753	-10439.880	+1035.694
R117	754	-10492.680	+1035.694
R118	755	-10545.480	+1035.694
R119	756	-10598.280	+1035.694
R120	757	-10651.080	+1035.694
R121	758	-10703.880	+1035.694
R122	759	-10756.680	+1035.694
R123	760	-10809.480	+1035.694
R124	761	-10862.280	+1035.694
R125	762	-10915.080	+1035.694
R126	763	-10967.880	+1035.694
R127	764	-11020.680	+1035.694
R128	765	-11073.480	+1035.694
R129	766	-11126.280	+1035.694
R130	767	-11179.080	+1035.694
R131	768	-11231.880	+1035.694
dummy	769	-11351.208	+1035.694
<b>Alignment marks (see Fig.62)</b>			
Alignment circle 1		-11175.032	+593.120
Alignment circle 2		+11184.888	+593.120
Alignment circle 3		-8717.192	+746.240
Alignment circle 4		+9362.408	+746.240

STN RGB - 132 × 132 × 3 driver

PCF8833

**Table 100** Bonding pad dimensions

ITEM	DIMENSIONS	UNIT
Minimum bump pitch	columns: 46.464	μm
	all other: 52.800	
Bump dimensions	columns: 28.424 × 105.248	μm
	all other: 32.736 × 95.348	
Bump height	15	μm
Wafer thickness (excluding bumps)	381	μm



STN RGB - 132 × 132 × 3 driver

PCF8833

18 TRAY INFORMATION

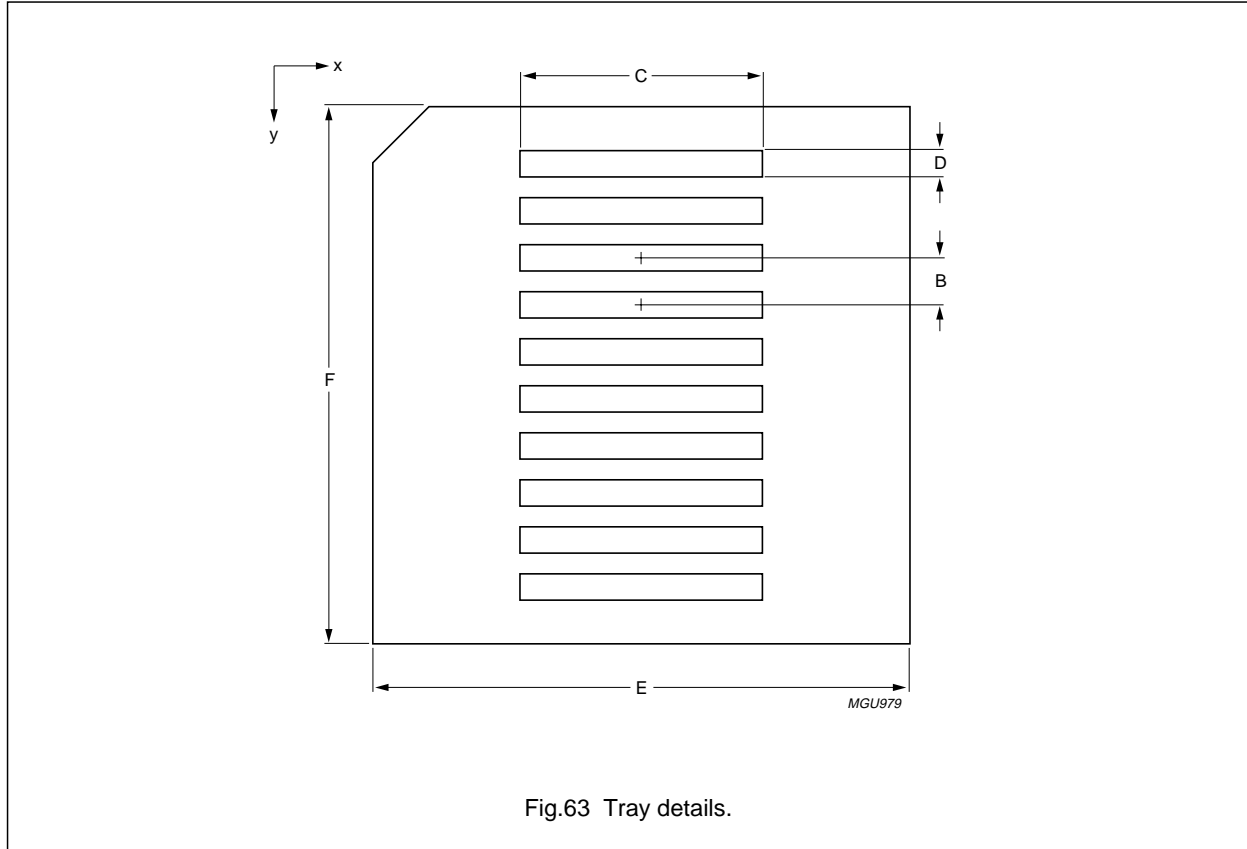
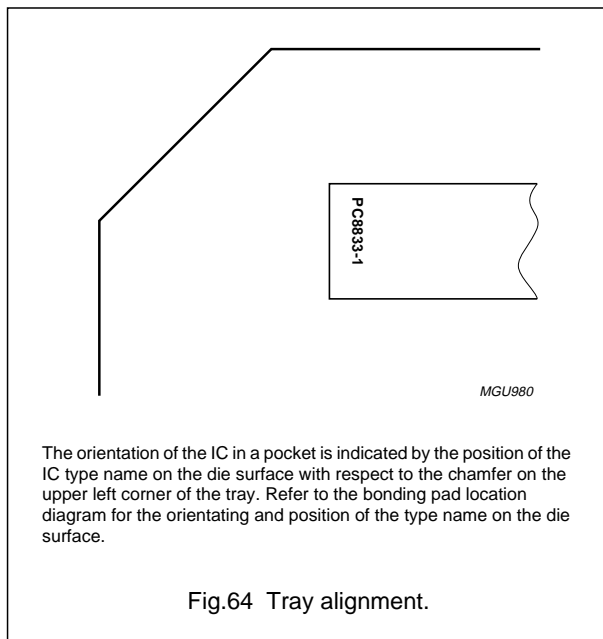


Fig.63 Tray details.



The orientation of the IC in a pocket is indicated by the position of the IC type name on the die surface with respect to the chamfer on the upper left corner of the tray. Refer to the bonding pad location diagram for the orientating and position of the type name on the die surface.

Fig.64 Tray alignment.

Table 101 Tray dimensions

DIMENSIONS	DESCRIPTION	VALUE
B	pocket pitch y direction	4.45 mm
C	pocket width x direction	23.07 mm
D	pocket width y direction	2.47 mm
E	tray width x direction	50.8 mm
F	tray width y direction	50.8 mm
x	number of pockets in x direction	1
y	number of pockets in y direction	10

## STN RGB - 132 × 132 × 3 driver

## PCF8833

## 19 DATA SHEET STATUS

LEVEL	DATA SHEET STATUS <sup>(1)</sup>	PRODUCT STATUS <sup>(2)(3)</sup>	DEFINITION
I	Objective data	Development	This data sheet contains data from the objective specification for product development. Philips Semiconductors reserves the right to change the specification in any manner without notice.
II	Preliminary data	Qualification	This data sheet contains data from the preliminary specification. Supplementary data will be published at a later date. Philips Semiconductors reserves the right to change the specification without notice, in order to improve the design and supply the best possible product.
III	Product data	Production	This data sheet contains data from the product specification. Philips Semiconductors reserves the right to make changes at any time in order to improve the design, manufacturing and supply. Relevant changes will be communicated via a Customer Product/Process Change Notification (CPCN).

## Notes

1. Please consult the most recently issued data sheet before initiating or completing a design.
2. The product status of the device(s) described in this data sheet may have changed since this data sheet was published. The latest information is available on the Internet at URL <http://www.semiconductors.philips.com>.
3. For data sheets describing multiple type numbers, the highest-level product status determines the data sheet status.

## 20 DEFINITIONS

**Short-form specification** — The data in a short-form specification is extracted from a full data sheet with the same type number and title. For detailed information see the relevant data sheet or data handbook.

**Limiting values definition** — Limiting values given are in accordance with the Absolute Maximum Rating System (IEC 60134). Stress above one or more of the limiting values may cause permanent damage to the device.

These are stress ratings only and operation of the device at these or at any other conditions above those given in the Characteristics sections of the specification is not implied. Exposure to limiting values for extended periods may affect device reliability.

**Application information** — Applications that are described herein for any of these products are for illustrative purposes only. Philips Semiconductors make no representation or warranty that such applications will be suitable for the specified use without further testing or modification.

## 21 DISCLAIMERS

**Life support applications** — These products are not designed for use in life support appliances, devices, or systems where malfunction of these products can reasonably be expected to result in personal injury. Philips Semiconductors customers using or selling these products for use in such applications do so at their own risk and agree to fully indemnify Philips Semiconductors for any damages resulting from such application.

**Right to make changes** — Philips Semiconductors reserves the right to make changes in the products - including circuits, standard cells, and/or software - described or contained herein in order to improve design and/or performance. When the product is in full production (status 'Production'), relevant changes will be communicated via a Customer Product/Process Change Notification (CPCN). Philips Semiconductors assumes no responsibility or liability for the use of any of these products, conveys no licence or title under any patent, copyright, or mask work right to these products, and makes no representations or warranties that these products are free from patent, copyright, or mask work right infringement, unless otherwise specified.

---

**STN RGB - 132 × 132 × 3 driver****PCF8833**

---

**Bare die** — All die are tested and are guaranteed to comply with all data sheet limits up to the point of wafer sawing for a period of ninety (90) days from the date of Philips' delivery. If there are data sheet limits not guaranteed, these will be separately indicated in the data sheet. There are no post packing tests performed on individual die or wafer. Philips Semiconductors has no control of third party procedures in the sawing, handling, packing or assembly of the die. Accordingly, Philips Semiconductors assumes no liability for device functionality or performance of the die or systems after third party sawing, handling, packing or assembly of the die. It is the responsibility of the customer to test and qualify their application in which the die is used.

---

STN RGB - 132 × 132 × 3 driver

PCF8833

---

**NOTES**

# ***Philips Semiconductors – a worldwide company***

## **Contact information**

For additional information please visit <http://www.semiconductors.philips.com>. Fax: **+31 40 27 24825**

For sales offices addresses send e-mail to: [sales.addresses@www.semiconductors.philips.com](mailto:sales.addresses@www.semiconductors.philips.com).

© Koninklijke Philips Electronics N.V. 2003

SCA75

All rights are reserved. Reproduction in whole or in part is prohibited without the prior written consent of the copyright owner.

The information presented in this document does not form part of any quotation or contract, is believed to be accurate and reliable and may be changed without notice. No liability will be accepted by the publisher for any consequence of its use. Publication thereof does not convey nor imply any license under patent- or other industrial or intellectual property rights.

Printed in The Netherlands

403512/01/pp112

Date of release: 2003 Feb 14

Document order number: 9397 750 10059

*Let's make things better.*

**Philips  
Semiconductors**



**PHILIPS**