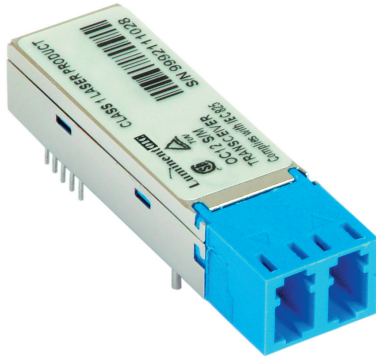


C-13-155(C)-F-SLCX



Features

- Duplex LC Single Mode Transceiver
- Small Form Factor Multi-sourced 2x5 Pin Package
- Ultra Long reach SONET OC-3/SDH STM-1 Compliant
- Single +3.3V Power Supply
- LVPECL Differential Inputs and Outputs
- LVTTTL Signal Detection Output (C-13-155C-F-SLCX)
- LVPECL Signal Detection Output (C-13-155-F-SLCX)
- Temperature Range: 0 to 70 °C [C-13-155(C)-F-SLCX]
- Temperature Range: -40 to 85 °C [C-13-155(C)-F-SLCXA]
- Class 1 Laser International Safety Standard IEC 825 Compliant
- Solder ability to MIL-STD-883, Method 2003
- Pin coating is Sn/Pb with minimum 2% Pb content
- Flammability to UL94V0
- Humidity RH 5-85% (5-95% short term) to IEC 68-2-3
- Complies with Telcordia(Bellcore) GR-468-CORE
- Uncooled laser diode with MQW structure
- EMI Shielding Finger Optional
- ATM 155 Mbps links
- RoHS compliance available

Absolute Maximum Rating

Parameter	Symbol	Min.	Max.	Unit	Note
Power Supply Voltage	V_{cc}	0	3.6	V	
Output Current	I_{out}	0	30	mA	
Soldering Temperature	-	-	260	°C	10 seconds on leads only
Operating Temperature	T_{opr}	0	70	°C	C-13-155(C)-F-SLCX
Operating Temperature	T_{opr}	-40	85	°C	C-13-155(C)-F-SLCXA
Storage Temperature	T_{stg}	-40	85	°C	

Recommended Operating Condition

Parameter	Symbol	Min.	Typ.	Max.	Unit	Note
Power Supply Voltage	V_{cc}	3.1	3.3	3.5	V	
Operating Temperature (Case)	T_{opr}	0	-	70	°C	C-13-155(C)-F-SLCX
Operating Temperature (Case)	T_{opr}	-40	-	85	°C	C-13-155(C)-F-SLCXA
Data Rate	-	-	155	-	Mbps	

C-13-155(C)-F-SLCX

Transmitter Specifications

Parameter	Symbol	Min	Typical	Max	Unit	Notes
Optical						
Optical Transmit Power	P_o	-19	-	-12	dBm	C-13-155(C)-F-SLC
Optical Transmit Power	P_o	-15	-	-8	dBm	C-13-155(C)-F-SLC3
Optical Transmit Power	P_o	-5	-	0	dBm	C-13-155(C)-F-SLC5
Optical Transmit Power	P_o	-3	-	+2	dBm	C-13-155(C)-F-SLC7
Optical Transmit Power	P_o	0	-	+5	dBm	C-13-155(C)-F-SLC9
Output Center Wavelength	λ_p	1261	1310	1360	nm	C-13-155(C)-F-SLC/C-13-155(C)-F-SLC3
Output Center Wavelength	λ_p	1263	1310	1360	nm	C-13-155(C)-F-SLC5
Output Center Wavelength	λ_p	1270	1310	1350	nm	C-13-155(C)-F-SLC7
Output Center Wavelength	λ_p	1275	1310	1345	nm	C-13-155(C)-F-SLC9
Output Spectrum Width	$\Delta\lambda_{rms}$	-	-	7.7	nm	RMS(σ), C-13-155(C)-F-SLC/C-13-155(C)-F-SLC3
Output Spectrum Width	$\Delta\lambda_{rms}$	-	-	3	nm	RMS(σ), C-13-155(C)-F-SLC5
Output Spectrum Width	$\Delta\lambda_{rms}$	-	-	2.5	nm	RMS(σ), C-13-155(C)-F-SLC7/9
Extinction Ratio	ER	8.2	-	-	dB	C-13-155(C)-F-SLC/C-13-155(C)-F-SLC3
Extinction Ratio	ER	10	-	-	dB	C-13-155(C)-F-SLC5/7/9
Output Eye	Compliant with Bellcore GR-253-CORE and ITU recommendation G.957					
Optical Rise Time	t_r	-	-	2	ns	10% to 90% Values
Optical Fall Time	t_f	-	-	2	ns	10% to 90% Values
Relative Intensity Noise	RIN	-	-	-116	dB/Hz	
Total Jitter	TJ	-	-	1.2	ns	Measured with 2 ²³ -1 PRBS with 72 ones and 72 zeros.

Transmitter Specifications

Parameter	Symbol	Min	Typical	Max	Unit	Notes
Electrical						
Power Supply Current	I_{CC}	-	-	180	mA	Maximum current is specified at Vcc= Maximum @ maximum temperature
Transmitter Enable Voltage	V_{EN}	0	-	0.8	V	
Transmitter Disable Voltage	V_D	2	-	Vcc	V	
Data Input Current-Low	I_{IL}	-200	-	-	μ A	
Data Input Current-High	I_{IH}	-	-	200	μ A	
Data Input Voltage-Low	$V_{IL}-V_{CC}$	-2.0	-	-1.58	V	These inputs are compatible with 10K, 10KH and 100K ECL and PECL inputs
Data Input Voltage-High	$V_{IH}-V_{CC}$	-1.1	-	-0.74	V	

C-13-155(C)-F-SLCX

Receiver Specifications

Parameter	Symbol	Min	Typical	Max	Unit	Notes
Optical						
Sensitivity ¹	-	-	-	-30	dBm	C-13-155(C)-F-SLC
Sensitivity ¹	-	-	-	-34	dBm	C-13-155(C)-F-SLC3
Sensitivity ¹	-	-	-	-35	dBm	C-13-155(C)-F-SLC5
Sensitivity ¹	-	-	-	-36	dBm	C-13-155(C)-F-SLC7
Sensitivity ¹	-	-	-	-37	dBm	C-13-155(C)-F-SLC9
Maximum Input Power	P_{in}	-7	-	-	dBm	C-13-155(C)-F-SLC/C-13-155(C)-F-SLC3
Maximum Input Power	P_{in}	-3	-	-	dBm	C-13-155(C)-F-SLC5/C-13-155(C)-F-SLC7
Maximum Input Power	P_{in}	0	-	-	dBm	C-13-155(C)-F-SLC9
Signal Detect-Asserted	P_a	-	-	-30	dBm	C-13-155(C)-F-SLC Measured on transition: low to high
Signal Detect-Asserted	P_a	-	-	-34	dBm	C-13-155(C)-F-SLC3 Measured on transition: low to high
Signal Detect-Asserted	P_a	-	-	-35	dbm	C-13-155(C)-F-SLC5 Measured on transition: low to high
Signal Detect-Asserted	P_a	-	-	-36	dbm	C-13-155(C)-F-SLC7 Measured on transition: low to high
Signal Detect-Asserted	P_a	-	-	-37	dbm	C-13-155(C)-F-SLC9 Measured on transition: low to high
Signal Detect-Deasserted	P_d	-48	-	-	dBm	Measured on transition: high to low
Signal Detect-Hysteresis		1	-	4	dB	
Wavelength of Operation		1100	-	1600	nm	

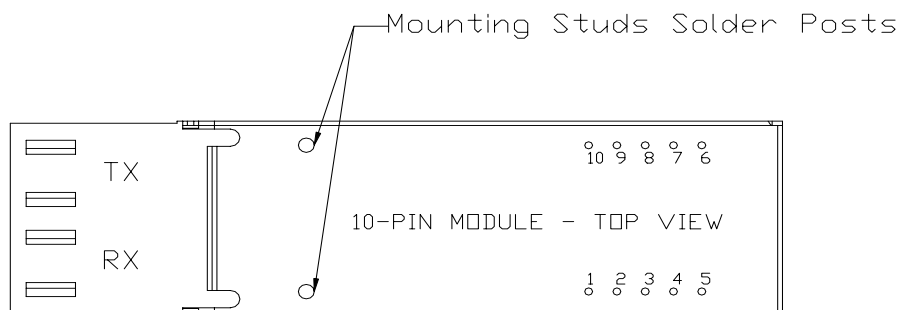
Note1: Measured with $2^{23}-1$ PRBS/BER= 10^{-10}

Receiver Specifications

Parameter	Symbol	Min	Typical	Max	Unit	Note
Electrical						
Power Supply Current	I_{CC}	-	-	100	mA	The current excludes the output load current
Data Output Voltage-Low	$V_{OL}-V_{CC}$	-2.0	-	-1.58	V	These outputs are compatible with 10K, 10KH and 100KECL and LVPECL outputs
Data Output Voltage-High	$V_{OH}-V_{CC}$	-1.1	-	-0.74	V	
Signal Detect Output Voltage-Low	$V_{SDL}-V_{CC}$	-2.0	-	-1.58	V	LVPECL, C-13-155-F-SLCX
Signal Detect Output Voltage-High	$V_{SDH}-V_{CC}$	-1.1	-	-0.74	V	
Signal Detect Output Voltage-Low	$V_{SDL}-V_{CC}$	-	-	0.5	V	LVTTTL, C-13-155C-F-SLCX
Signal Detect Output Voltage-High	$V_{SDH}-V_{CC}$	2.0	-	-	V	

C-13-155(C)-F-SLCX

Connection Diagram

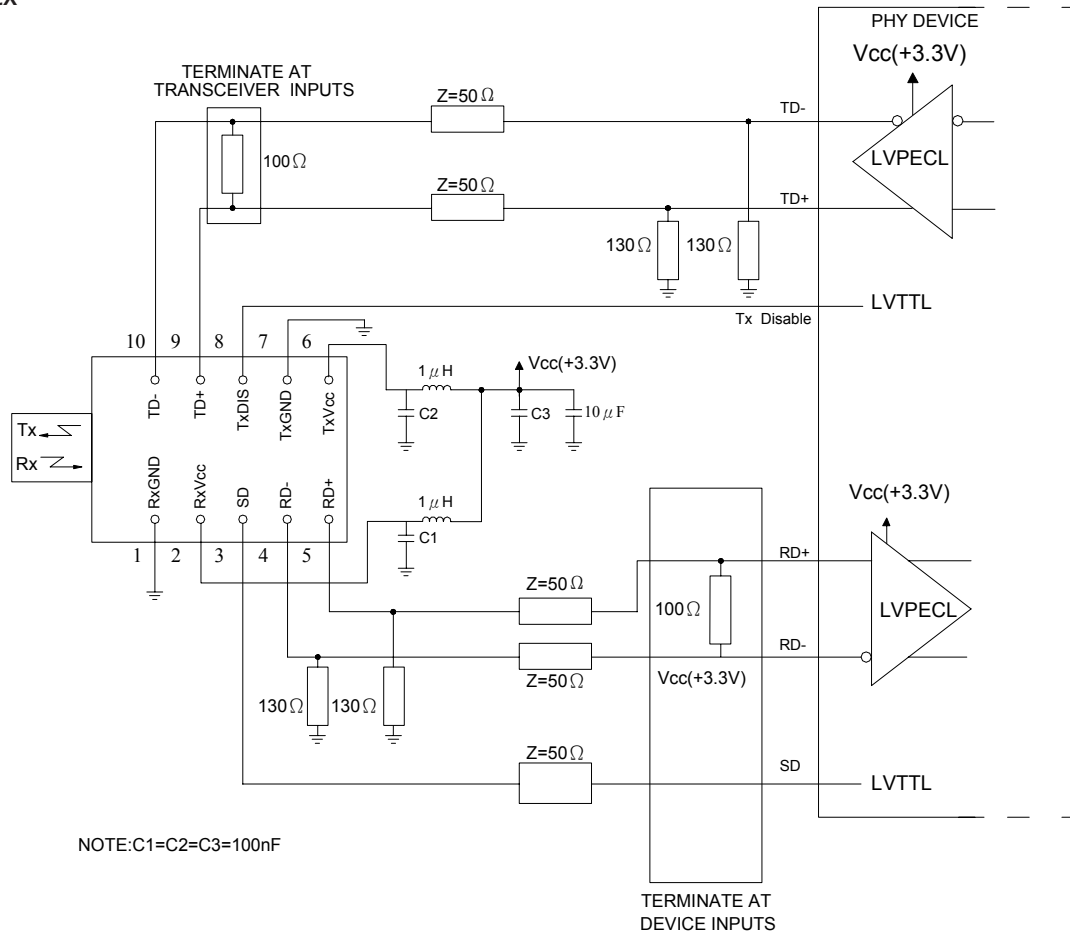


PIN	Symbol	Notes
1	RxGND	Directly connect this pin to the receiver ground plane
2	RxVcc	+3.3V dc power for the receiver section
3	SD	Active high on this indicates a received optical signal(LVPECL/LVTTL)
4	RD-	Receiver Data Out Bar (LVPECL)
5	RD+	Receiver Data Out (LVPECL)
6	TxVcc	+3.3V dc power for the trasmitter section
7	TxGND	Directly connect this pin to the transmitter ground plane
8	TxDIS	Transmitter disable (LVTTL)
9	TD+	Transmitter Data In (LVPECL)
10	TD-	Transmitter Data In Bar (LVPECL)
Attaching Posts		The attaching posts are at case potential and may be connected to chassis ground. They are isolated from circuit ground.

C-13-155(C)-F-SLCX

Recommended Circuit Schematic

C-13-155C-F-SLCX



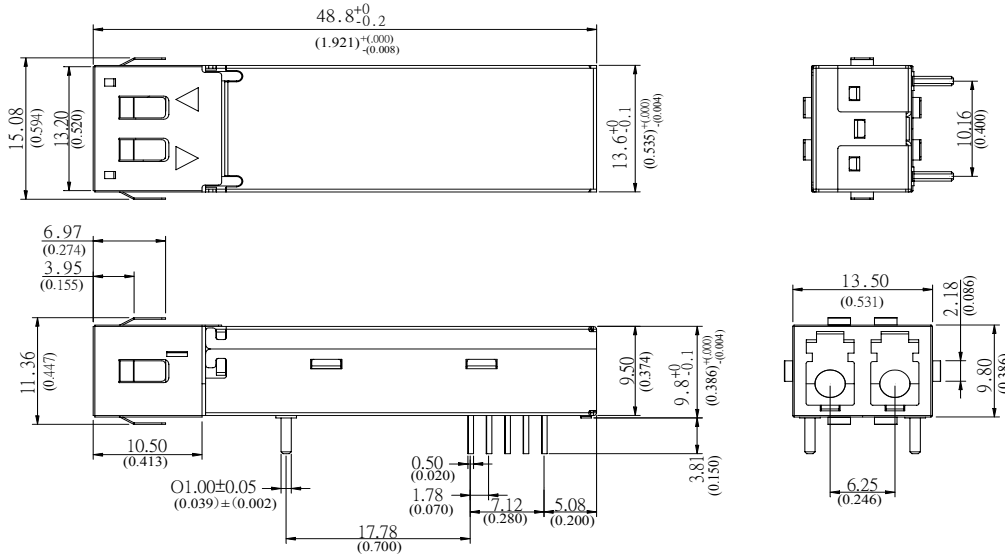
The split-loaded terminations for ECL signals need to be located at the input of devices receiving those ECL signals. The power supply filtering is required for good EMI performance. Use short tracks from the inductor L1/L2 to the module Rx Vcc. A GND plane under the module is required for good EMI and sensitivity performance.

C-13-155(C)-F-SLCX

Package Diagram

C-13-155(C)-F-SLCX(A)

Units: mm (inches)

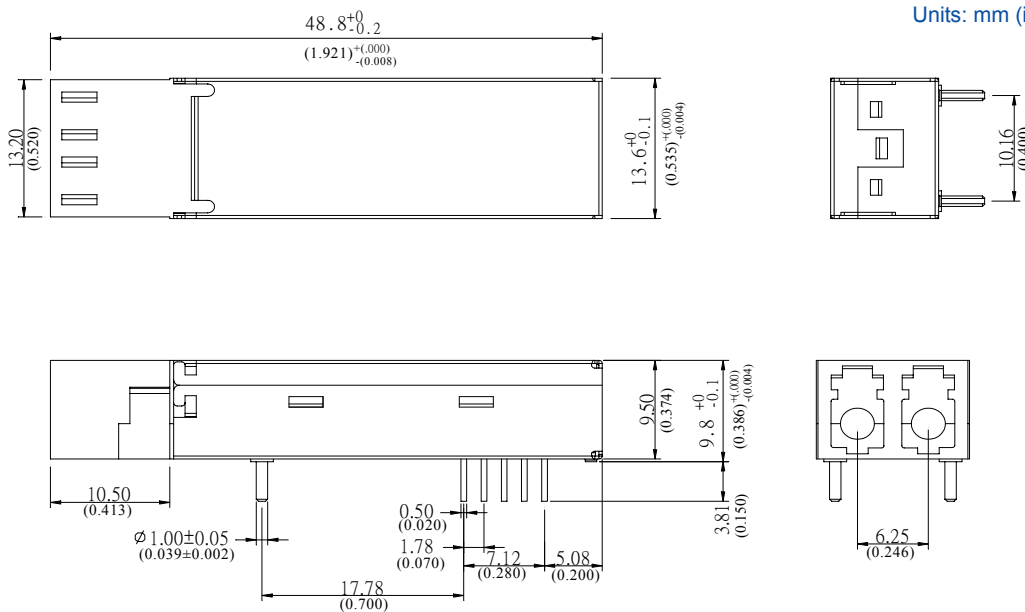


Case with metal shielding finger

Package Diagram

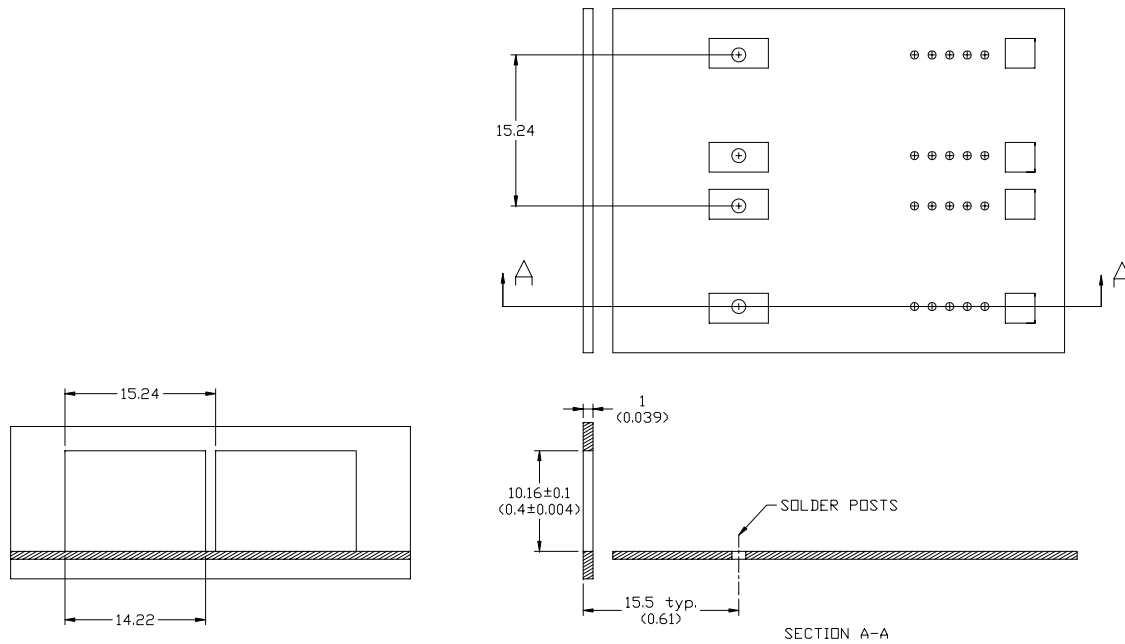
C-13-155(C)-F-SLCX(A)

Units: mm (inches)



C-13-155(C)-F-SLCX

Recommended Panel mounting



DIMENSION IN MILLIMETER (INCHES)

C-13-155(C)-F-SLCX

Ordering Information

Available Options:

C-13-155-F-SLC(S)	C-13-155-F-SLCA(S)	C-13-155-F-SLC(S)-G5	C-13-155-F-SLCA(S)-GR
C-13-155-F-SLC3(S)	C-13-155-F-SLC3A(S)	C-13-155-F-SLC3(S)-G5	C-13-155-F-SLC3A(S)-GR
C-13-155-F-SLC5(S)	C-13-155-F-SLC5A(S)	C-13-155-F-SLC5(S)-G5	C-13-155-F-SLC5A(S)-GR
C-13-155-F-SLC7(S)	C-13-155-F-SLC7A(S)	C-13-155-F-SLC7(S)-G5	C-13-155-F-SLC7A(S)-GR
C-13-155-F-SLC9(S)	C-13-155-F-SLC9A(S)	C-13-155-F-SLC9(S)-G5	C-13-155-F-SLC9A(S)-GR
C-13-155C-F-SLC(S)	C-13-155C-F-SLCA(S)	C-13-155C-F-SLC(S)-G5	C-13-155C-F-SLCA(S)-GR
C-13-155C-F-SLC3(S)	C-13-155C-F-SLC3A(S)	C-13-155C-F-SLC3(S)-G5	C-13-155C-F-SLC3A(S)-GR
C-13-155C-F-SLC5(S)	C-13-155C-F-SLC5A(S)	C-13-155C-F-SLC5(S)-G5	C-13-155C-F-SLC5A(S)-GR
C-13-155C-F-SLC7(S)	C-13-155C-F-SLC7A(S)	C-13-155C-F-SLC7(S)-G5	C-13-155C-F-SLC7A(S)-GR
C-13-155C-F-SLC9(S)	C-13-155C-F-SLC9A(S)	C-13-155C-F-SLC9(S)-G5	C-13-155C-F-SLC9A(S)-GR

Part numbering Definition:

C - 13 - 155(C) - F - S LC TxPower Temperature Package -RoHS

- 13 = Wavelength 1310nm
- Communication protocol (155Mbps)
155 = PECL Signal Detection Output
155C = TTL Signal Detection Output
- F = +3.3V SFF Transceiver, FP
- Single mode fiber
- Connector options
- Tx Power range
Blank = -19 to -12 dBm
3 = -15 to -8 dBm
5 = -5 to 0 dBm
7 = -3 to +2 dBm
9 = 0 to +5 dBm
- Temperature
Blank = 0 to 70 °C
A = -40 to 85 °C
- Package
Blank = Standard package
S = EMI Shielding Finger package
- Ordering Information
Blank = RoHS non-compliant product
G5 = RoHS 5/6-compliant product (lead exemption)
GR = Full RoHS compliant product (no exemption)

Warnings:

Handling Precautions: This device is susceptible to damage as a result of electrostatic discharge (ESD). A static free environment is highly recommended. Follow guidelines according to proper ESD procedures.

Laser Safety: Radiation emitted by laser devices can be dangerous to human eyes. Avoid eye exposure to direct or indirect radiation.

Legal Notes:**IMPORTANT NOTICE!**

All information contained in this document is subject to change without notice, at LuminentOIC's sole and absolute discretion. LuminentOIC warrants performance of its products to current specifications only in accordance with the company's standard one-year warranty; however, specifications designated as "preliminary" are given to describe components only, and LuminentOIC expressly disclaims any and all warranties for said products, including express, implied, and statutory warranties, warranties of merchantability, fitness for a particular purpose, and non-infringement of proprietary rights. Please refer to the company's Terms and Conditions of Sale for further warranty information.

LuminentOIC assumes no liability for applications assistance, customer product design, software performance, or infringement of patents, services, or intellectual property described herein. No license, either express or implied, is granted under any patent right, copyright, or intellectual property right, and LuminentOIC makes no representations or warranties that the product(s) described herein are free from patent, copyright, or intellectual property rights. Products described in this document are NOT intended for use in implantation or other life support applications where malfunction may result in injury or death to persons. LuminentOIC customers using or selling products for use in such applications do so at their own risk and agree to fully defend and indemnify LuminentOIC for any damages resulting from such use or sale.

THE INFORMATION CONTAINED IN THIS DOCUMENT IS PROVIDED ON AN "AS IS" BASIS. Customer agrees that LuminentOIC is not liable for any actual, consequential, exemplary, or other damages arising directly or indirectly from any use of the information contained in this document. Customer must contact LuminentOIC to obtain the latest version of this publication to verify, before placing any order, that the information contained herein is current.

© LuminentOIC, Inc. 2003
All rights reserved