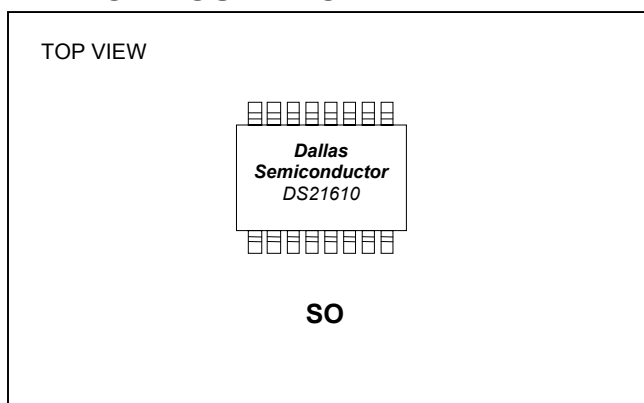


GENERAL DESCRIPTION

The DS21610 is a multirate, low-jitter clock adapter that converts E-carrier and T-carrier clocks to multiple PDH carrier clock rates. Two clock outputs are available that are frequency-locked to the input clock. The clock outputs along with an 8kHz frame-sync output can be phase-aligned to a frame-sync input. The device is backward compatible with the LXP610 and operates from either a 3.3V or 5V supply. All modes of operation include a standard 8kHz output.

PIN CONFIGURATION



FEATURES

- Direct Replacement for LXP610SE
- Converts E-Carrier Clock Rates to T-Carrier Clock Rates
- Converts T-Carrier Clock Rates to E-Carrier Clock Rates
- 3.3V or 5V Supply
- Low Jitter Output
- Multiple Output Clocks Synchronized to Input Clock
- 8kHz Frequency-Locked Output for all Operation Modes
- No External Components Required
- 16-Pin SO and 28-Pin PLCC
- Industrial Temperature Range: -40°C to +85°C

ORDERING INFORMATION

PART	TEMP RANGE	PIN-PACKAGE
DS21610SN	-40°C to +85°C	16 SO
DS21610QN	-40°C to +85°C	29 PLCC

Note: Some revisions of this device may incorporate deviations from published specifications known as errata. Multiple revisions of any device may be simultaneously available through various sales channels. For information about device errata, click here: www.maxim-ic.com/errata.

TABLE OF CONTENTS

- 1. PIN DESCRIPTION3**
- 1.1 COMPATIBILITY WITH LXP610.....3
- 2. FUNCTIONAL DESCRIPTION.....5**
- 3. OUTPUT JITTER.....6**
- 3.1 JITTER TRANSFER6
- 4. OPERATING PARAMETERS8**
- 5. PACKAGE INFORMATION13**
- 6. REVISION HISTORY15**

LIST OF FIGURES

- Figure 1-1. Block Diagram.....4
- Figure 3-1. Nominal Jitter Transfer (1.544MHz CLKIN to 2.048MHz CLKOUT1).....6
- Figure 3-2. Nominal Jitter Transfer (2.048MHz CLKIN to 1.544MHz CLKOUT1).....7
- Figure 4-1. SYNCIN/CLKIN to CLKOUT1/SYNCOOUT and CLKOUT2 10
- Figure 4-2. Output Frame-Sync Alignment When CLKOUT2 = 2 x CLKOUT1 11
- Figure 4-3. Output Frame-Sync Alignment When CLKOUT2 = 3 x CLKOUT1..... 11
- Figure 4-4. Output Frame-Sync Alignment When CLKOUT2 = 4 x CLKOUT1 12
- Figure 4-5. Output Frame-Sync Alignment When CLKOUT2 = 5 x CLKOUT1..... 12

LIST OF TABLES

- Table 1-A. Pin Description3
- Table 1-B. Pin Name Cross-Reference to LXP6103
- Table 2-A. Program Pin Functions (SEL = 0).....5
- Table 2-B. Program Pin Functions (SEL = 1).....5
- Table 3-A. Output Jitter Specifications, CLKOUT1 = 1.544MHz6
- Table 3-B. Output Jitter Specifications, CLKOUT1 = 2.048MHz6

1. PIN DESCRIPTION

Table 1-A. Pin Description

PIN		NAME	TYPE	FUNCTION
PLCC	SO			
1	1	P3	Input	Program Pin 3. Used to select the various combinations of clock and sync outputs.
2	2	SYNCOUT	Output	Synchronization Pulse Output. An 8kHz output that can be synchronized to the clock outputs and SYNCIN (if present).
3–5, 7–9, 11, 12, 17– 19, 21, 23, 25, 26	3, 6, 11	N.C.	—	No Connect
6	4	CLKOUT2	Output	Clock Output 2. T1 or E1 carrier clock output referenced to CLKIN.
10	5	CLKIN	Input	Clock Input. Reference Clock Input. CLKOUT1 and CLKOUT2 will be referenced to this clock.
13	7	CLKOUT1	Output	Clock Output 1. T1 or E1 carrier clock output referenced to CLKIN.
14	8	P1	Input	Program Pin 3. Used to select the various combinations of clock and sync outputs.
15	9	V _{SS}	Supply	Ground
16	10	P2	Input	Program Pin 2. Used to select the various combinations of clock and sync outputs.
20	12	SEL	Input	Clock Mode Select. T-carrier/E-carrier mode select.
22	13	FSP	Input	Frame Synchronization Pulse Polarity. Used to change the polarity of the SYNCOUT output.
24	14	SYNCIN	Input	Synchronization Pulse Input. Used to synchronize the clock outputs and SYNCOUT to CLKIN and SYNCIN. SYNCIN should be tied high or low when not in use.
27	15	P4	Input	Program Pin 4. Used to select the various combinations of clock and sync outputs.
28	16	V _{DD}	Supply	Positive Supply, 3.3V or 5V ±5%

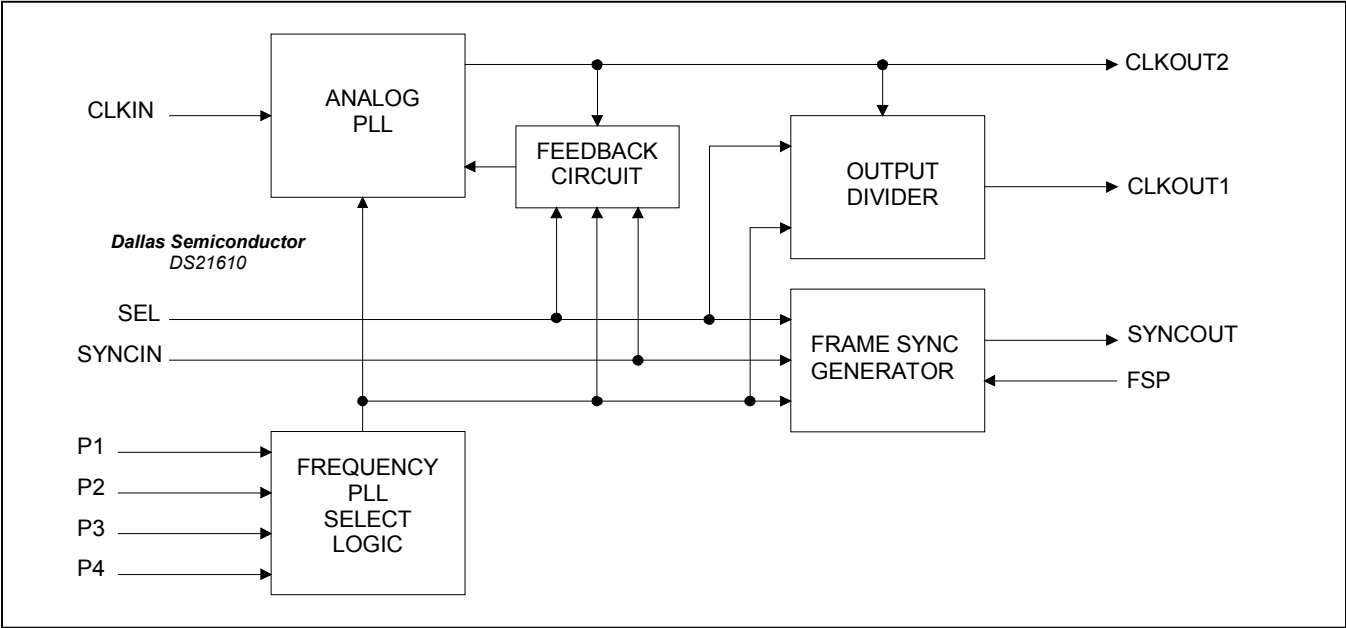
1.1 Compatibility with LXP610

The DS21610 is pin compatible with the LXP610.

Table 1-B. Pin Name Cross-Reference to LXP610

DS21610	LXP610	FUNCTION
P3	P3	Program Pin 3
SYNCOUT	FSO	Synchronization Pulse Output
CLKOUT2	HFO	Clock 2 Output
CLKIN	CLKI	Clock Input
CLKOUT1	CLKO	Clock 1 Output
P1	P1	Program pin 1
V _{SS}	GND	Ground
P2	P2	Program Pin 2
N.C.	N.C.	No Connect

Figure 1-1. Block Diagram



2. FUNCTIONAL DESCRIPTION

A clock input at CLKIN is converted to various clocks available on CLKOUT1 and CLKOUT2. Additionally, an 8kHz clock locked to CLKIN and SYNCIN (if present) is always available at the SYNCOUT pin. The pulse width of the SYNCOUT is selectable. It can be one or one-half the clock period of CLKIN, centered on the rising edge of CLKIN. Pins P1 to P4 are used to select the various clock rates and operational modes. [Table 2-A](#) and [Table 2-B](#) list the various operational modes of the DS21610.

CLKIN, CLKOUT1, and CLKOUT2 are always frequency-locked. They can all be phase-locked to a system frame-sync pulse. A frame-sync pulse applied to SYNCIN will cause CLKIN and CLKOUT1 and CLKOUT2 to be phased-locked to that sync pulse. This causes the clocks to have a fixed alignment at the frame-sync boundaries. The signal applied to SYNCIN can be 8kHz or some integer subrate such as 1kHz, 2kHz, or 4kHz. Phase synchronization occurs within a maximum of 50ms when SYNCIN is 8kHz.

Table 2-A. Program Pin Functions (SEL = 0)

P4	P3	P2	P1	CLKIN	CLKOUT1	CLKOUT2	SYNCOUT
0	0	0	0	1.544	2.048	6.144	Long
0	0	0	1	3.088	2.048	8.192	Short
0	0	1	0	1.544	2.048	6.144	Long
0	0	1	1	1.544	2.048	8.192	Short
0	1	0	0	1.544	2.560	7.680	Long
0	1	0	1	6.176	4.096	8.192	Long
0	1	1	0	1.544	2.560	7.680	Long
0	1	1	1	6.176	2.048	8.192	Short
1	0	0	0	3.088	2.048	6.144	Long
1	0	0	1	3.088	4.096	8.192	Long
1	0	1	0	3.088	2.048	6.144	Long
1	0	1	1	1.544	4.096	8.192	Long
1	1	0	0	6.176	2.560	7.680	Long
1	1	0	1	6.176	4.096	8.192	Long
1	1	1	0	6.176	2.560	7.680	Long
1	1	1	1	6.176	4.096	8.192	Long

Table 2-B. Program Pin Functions (SEL = 1)

P4	P3	P2	P1	CLKIN	CLKOUT1	CLKOUT2	SYNCOUT
0	0	0	0	2.048	3.088	6.176	Long
0	0	0	1	2.048	3.088	6.176	Long
0	0	1	0	2.048	1.544	6.176	Long
0	0	1	1	2.048	1.544	6.176	Long
0	1	0	0	2.560	1.544	7.720	Long
0	1	0	1	8.192	3.088	6.176	Long
0	1	1	0	2.560	1.544	7.720	Long
0	1	1	1	8.192	1.544	6.176	Long
1	0	0	0	2.048	3.088	6.176	Long
1	0	0	1	4.096	3.088	6.176	Long
1	0	1	0	2.048	3.088	6.176	Long
1	0	1	1	4.096	1.544	6.176	Long
1	1	0	0	2.560	1.544	7.720	Long
1	1	0	1	8.192	3.088	6.176	Long
1	1	1	0	2.560	1.544	7.720	Long
1	1	1	1	8.192	1.544	6.176	Long

3. OUTPUT JITTER

Table 3-A shows the output jitter specifications for 2.048MHz (or 4.096MHz) to 1.544MHz conversions (SEL = 1) and 1.544MHz to 2.048MHz (or 4.096MHz) conversions (SEL = 0).

Table 3-A. Output Jitter Specifications, CLKOUT1 = 1.544MHz

FREQUENCY BAND	TR62411 SPECIFICATION	TYP	MAX	UNITS
No bandlimiting	TR62411	0.010	0.020	UI _{p-p}
10Hz–40kHz	TR62411	0.005	0.010	UI _{p-p}
8kHz–40kHz	TR62411	0.006	0.012	UI _{p-p}

Table 3-B. Output Jitter Specifications, CLKOUT1 = 2.048MHz

FREQUENCY BAND	G.823 SPECIFICATION	TYP	MAX	UNITS
20Hz–100kHz	1.5	0.018	0.035	UI _{p-p}
18kHz–100kHz	0.2	0.012	0.025	UI _{p-p}

3.1 Jitter Transfer

Figure 3-1 and Figure 3-2 show jitter transfer for 2.048MHz-to-1.544MHz conversions and vice versa.

Figure 3-1. Nominal Jitter Transfer (1.544MHz CLKIN to 2.048MHz CLKOUT1)

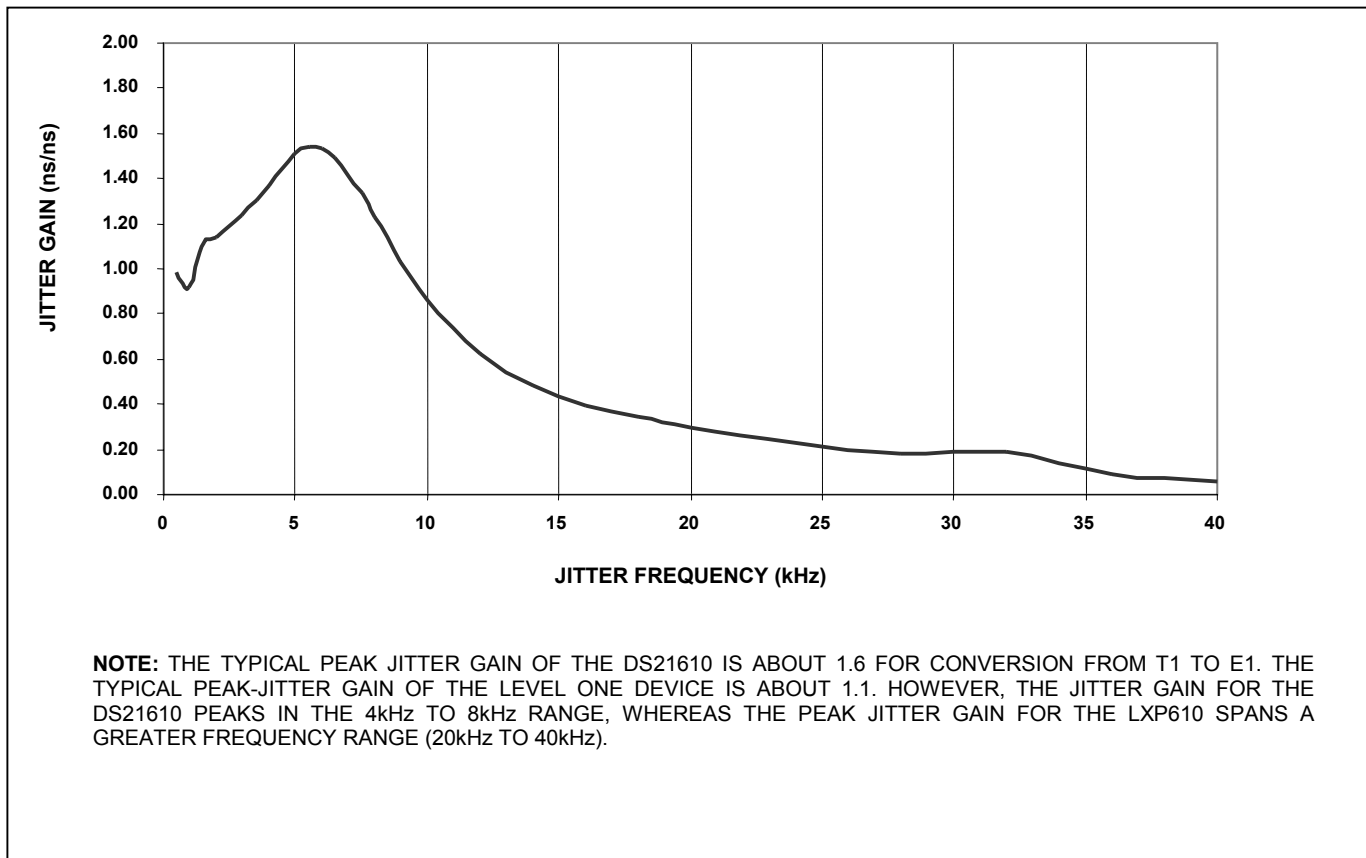
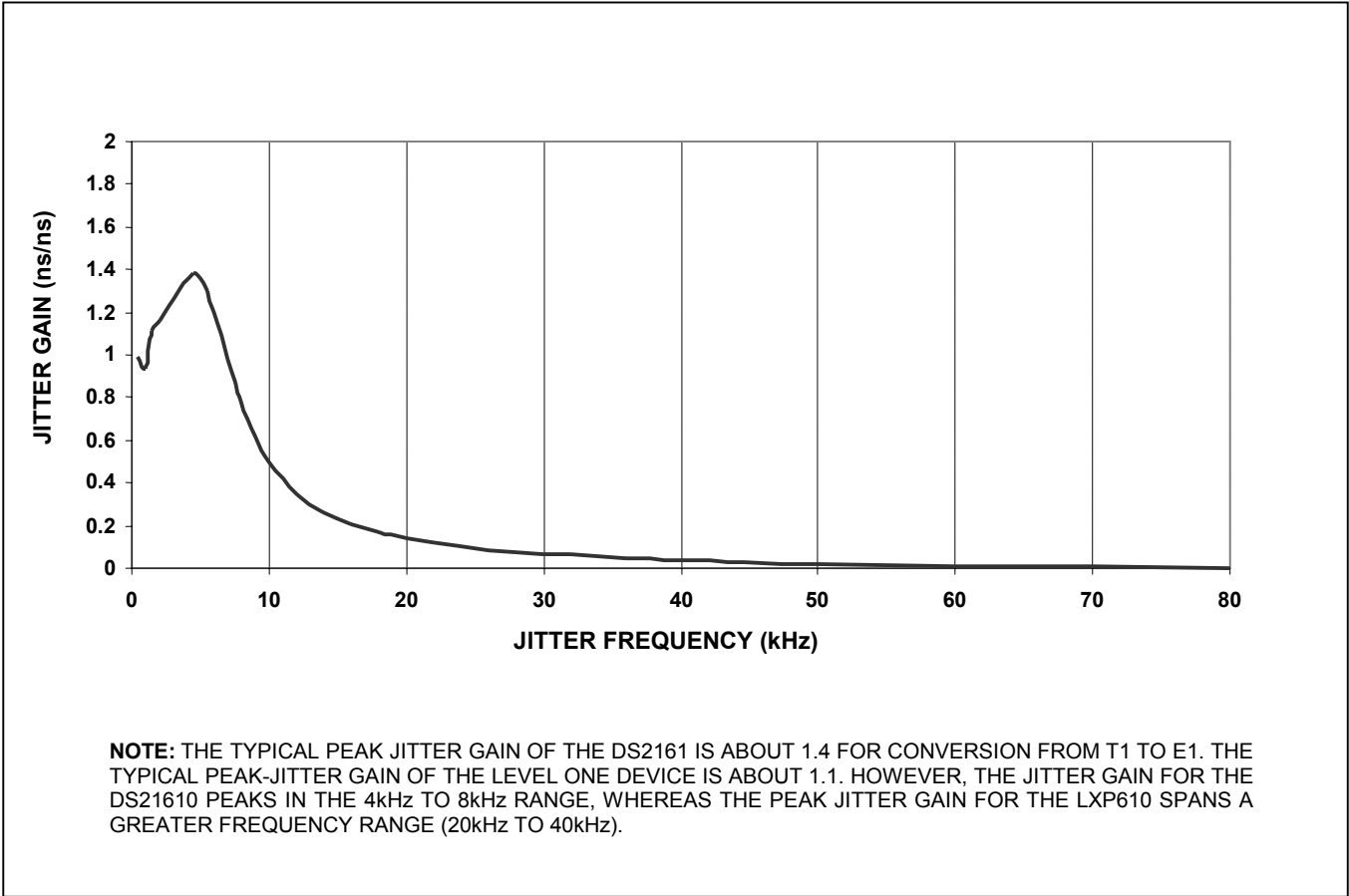


Figure 3-2. Nominal Jitter Transfer (2.048MHz CLKIN to 1.544MHz CLKOUT1)



4. OPERATING PARAMETERS

ABSOLUTE MAXIMUM RATINGS

Voltage Range on Any Pin Relative to Ground
 Operating Temperature Range for DS21610SN
 Storage Temperature Range
 Soldering Temperature

-1.0V to +6.0V
 -40°C to +85°C
 -55°C to +125°C
 See IPC/JEDEC J-STD-020
 Specification

Stresses beyond those listed under "Absolute Maximum Ratings" may cause permanent damage to the device. These are stress ratings only, and functional operation of the device at these or any other conditions beyond those indicated in the operational sections of the specifications is not implied. Exposure to absolute maximum rating conditions for extended periods can affect device reliability.

RECOMMENDED DC OPERATING CONDITIONS

($T_A = -40^\circ\text{C}$ to $+85^\circ\text{C}$)

PARAMETER	SYMBOL	CONDITIONS	MIN	TYP	MAX	UNITS
Logic 1	V_{IH}		2.0		5.5	V
Logic 0	V_{IL}		-0.3		+0.8	V
Supply Voltage	V_{DD}	3.3V	3.135	3.3	3.465	V
		5V	4.75	5	5.25	

DC CHARACTERISTICS

($V_{DD} = 3.3\text{V}/5\text{V} \pm 5\%$, $T_A = -40^\circ\text{C}$ to $+85^\circ\text{C}$.)

PARAMETER	SYMBOL	CONDITIONS	MIN	TYP	MAX	UNITS
Supply Current	I_{DD}	(Note 1)			14	mA
Input Leakage	I_{IL}	(Note 2)	-10.0		+10.0	μA
Output Leakage	I_{LO}					μA
Output Current (2.4V)	I_{OH}		-1.0			mA
Output Current (0.4V)	I_{OL}		+4.0			mA

Note 1: 100pF load on all outputs.

Note 2: $0\text{V} < V_{IN} < V_{DD}$.

AC TIMING

(Figure 4-1, Figure 4-2, Figure 4-3, Figure 4-4, and Figure 4-5)

PARAMETER	SYMBOL	CONDITIONS	MIN	TYP	MAX	UNITS
Capture Range on CLKIN		(Note 3)	±10,000			ppm
Lock Range on CLKIN		(Note 3)	±10,000			ppm
CLKIN Duty Cycle		(Note 3)	35		65	%
SYNCIN Setup to CLKIN Rising	t_{SU}		46			ns
SYNCIN Hold After CLKIN Rising	t_{HI}		30			ns
SYNCIN Pulse Width	t_{PW}		76		CLKIN period	ns
CLKOUT1 Delay from CLKIN Rising	t_D	3.3V	-15	0	+15	ns
		5V	-15	0	+31	
CLKOUT1 Duty Cycle	C_D		49		51	%
SYNCOUT Delay from CLKOUT2	t_{DF}		-5		30	ns
SYNCOUT Pulse Width	t_{SPW}				CLKOUT 1 period	ns
CLKOUT1 Delay from CLKOUT2 Rising	t_{DH}		-15	0	+15	ns
Rise/Fall Time on CLKIN, SYNCIN (Note 3)	t_{RF}	3.3V	60			ns
		5V	40			
Rise/Fall Time on CLKOUT, SYNCOUT, CLKOUT2 (Note 4)	t_{RF}	3.3V	60			ns
		5V	40			

Note 3: Guaranteed by design.**Note 4:** 100pF load on CLKOUT, SYNCOUT, CLKOUT.

Figure 4-1. SYNCIN/CLKIN to CLKOUT1/SYNCOUT and CLKOUT2

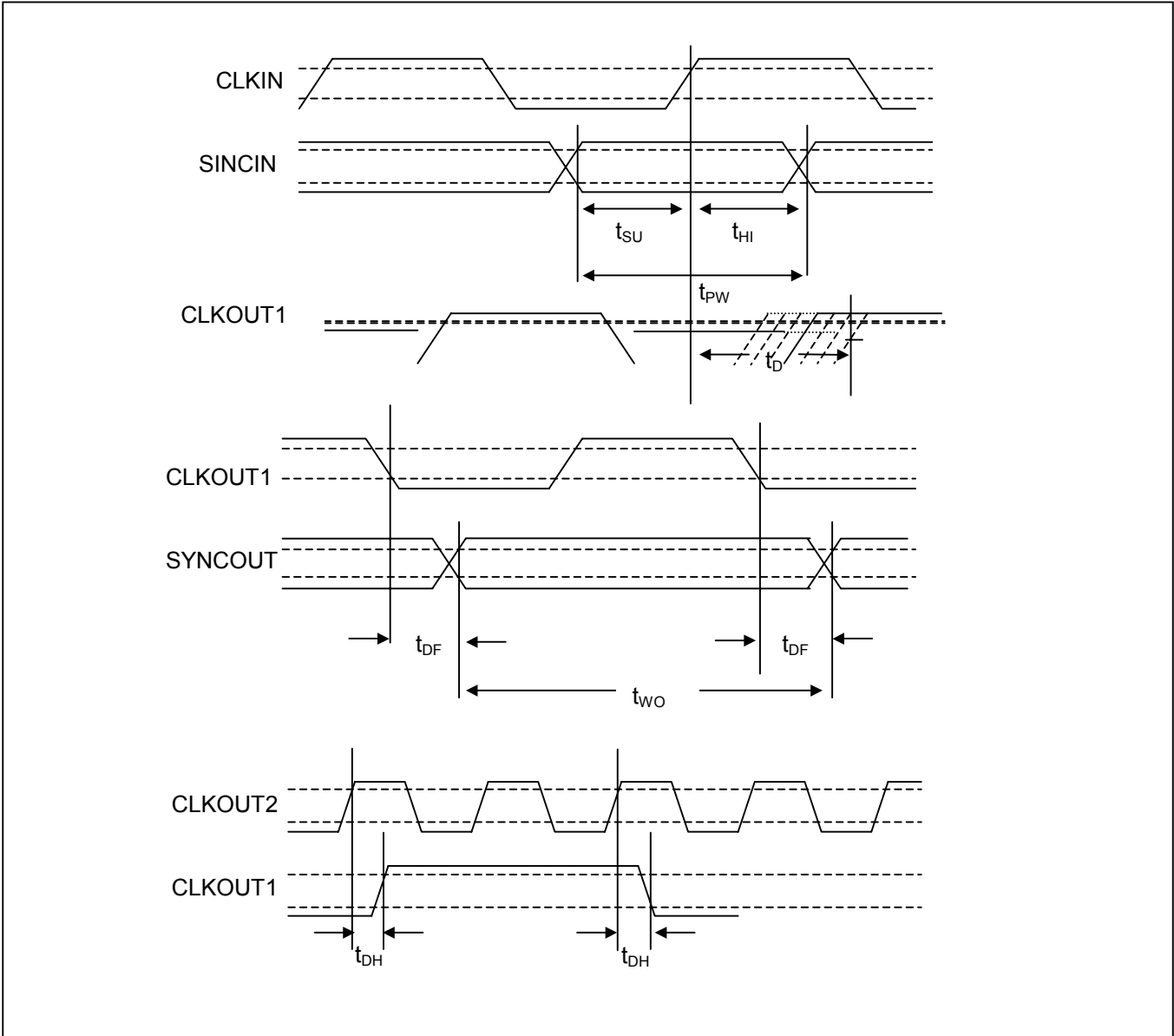


Figure 4-2. Output Frame-Sync Alignment When CLKOUT2 = 2 x CLKOUT1

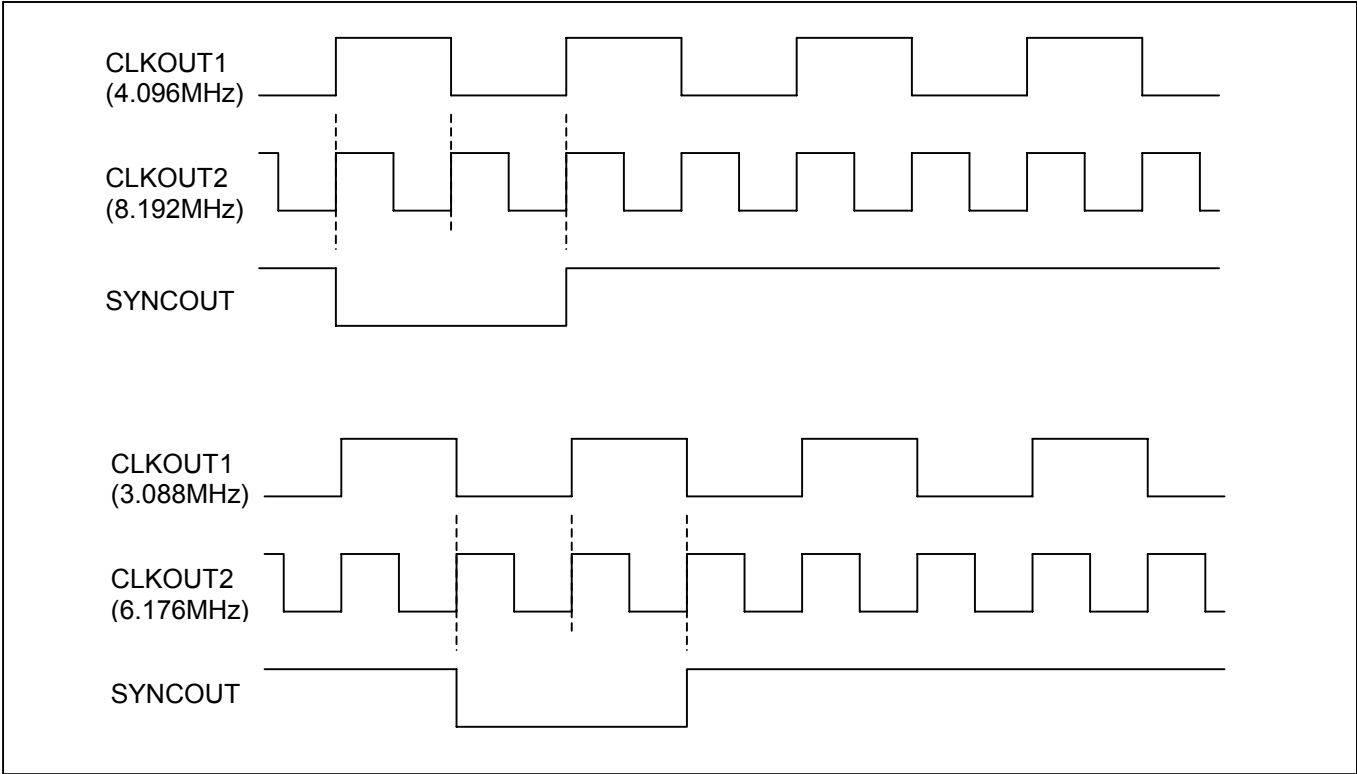


Figure 4-3. Output Frame-Sync Alignment When CLKOUT2 = 3 x CLKOUT1

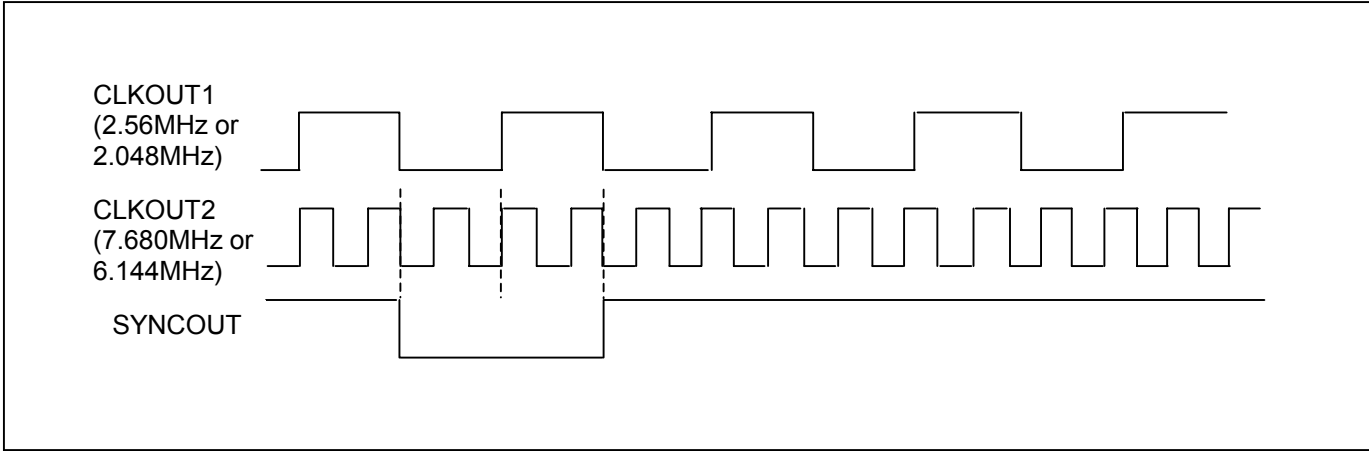


Figure 4-4. Output Frame-Sync Alignment When CLKOUT2 = 4 x CLKOUT1

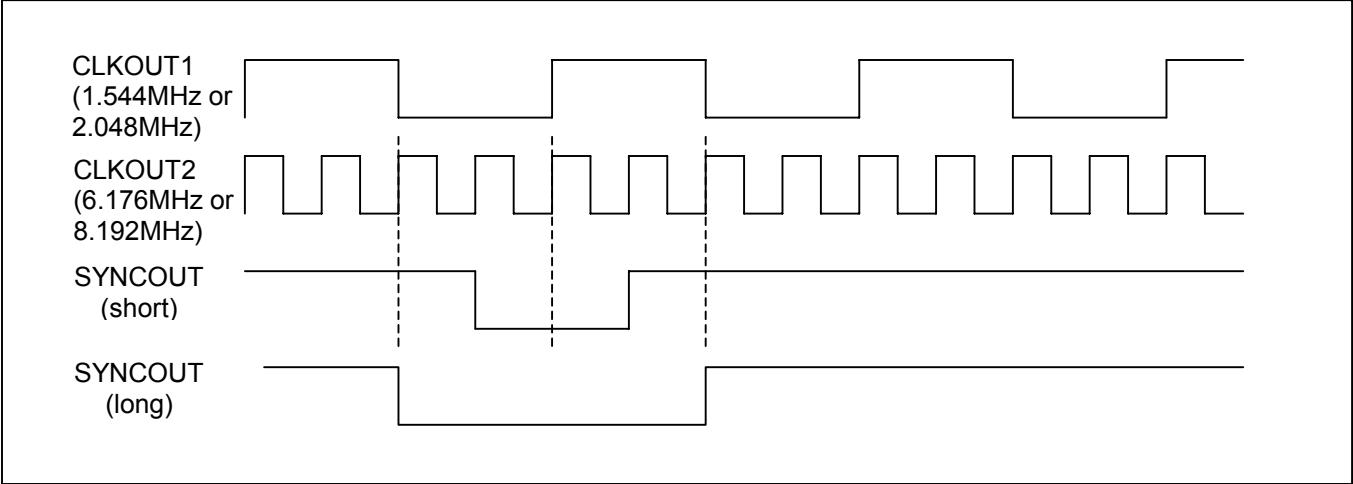
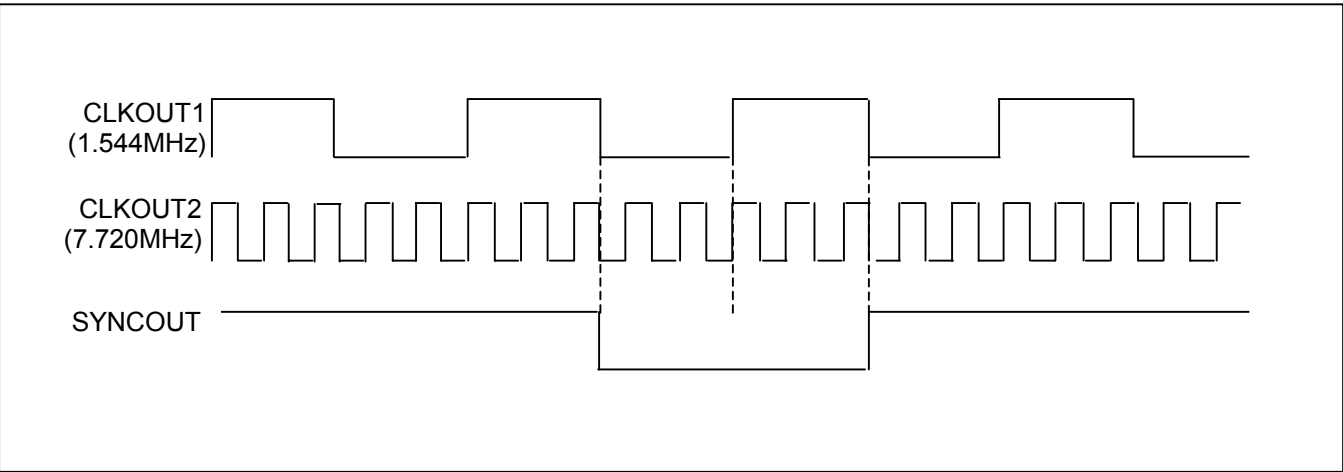


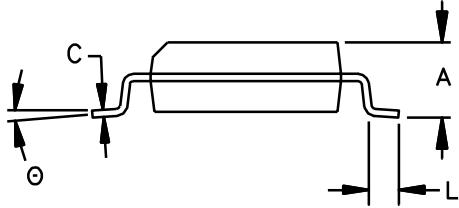
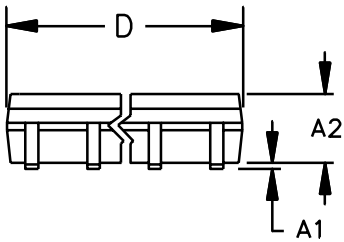
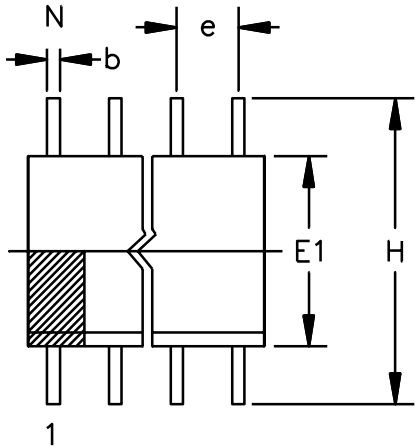
Figure 4-5. Output Frame-Sync Alignment When CLKOUT2 = 5 x CLKOUT1



5. PACKAGE INFORMATION

(The package drawing(s) in this data sheet may not reflect the most current specifications. For the latest package outline information, go to www.maxim-ic.com/DallasPackInfo.)

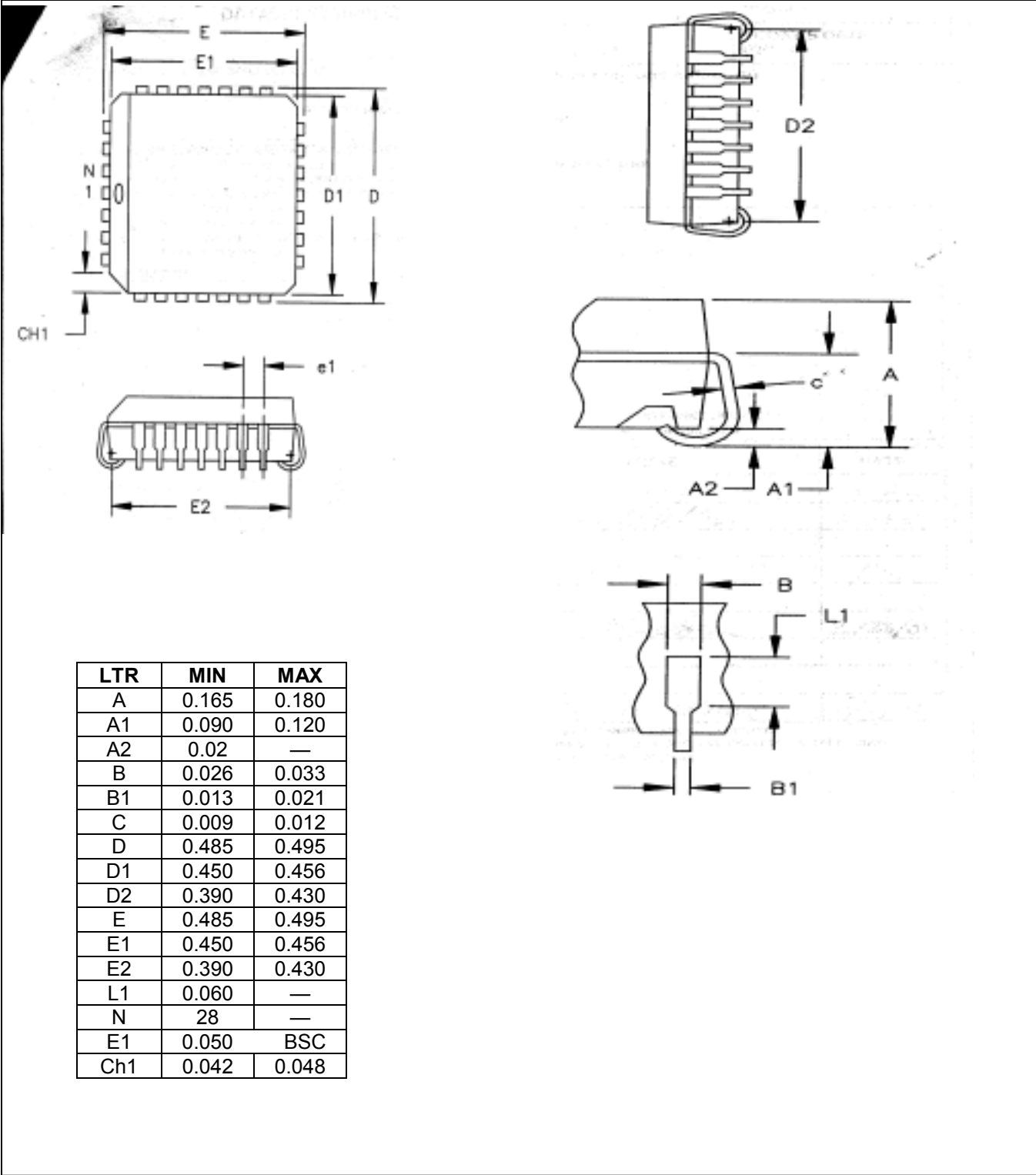
16-Pin SO, 0.300" Body



LTR	MIN	MAX
A	IN. 0.094 MM 2.39	0.105 2.67
A1	IN. 0.004 MM 0.102	0.012 0.30
A2	IN. 0.089 MM 2.26	0.095 2.41
b	IN. 0.013 MM 0.33	0.020 0.51
C	IN. 0.009 MM 0.229	0.013 0.33
D	IN. 0.398 MM 10.11	0.412 10.46
e	IN. .050 MM 1.27	BSC BSC
E1	IN. 0.290 MM 7.37	0.300 7.62
H	IN. 0.398 MM 10.11	0.416 10.57
L	IN. 0.016 MM 0.40	0.040 1.02
θ	0°	8°

THE CHAMFER ON THE BODY IS OPTIONAL. IF IT IS NOT PRESENT, A TERMINAL 1 IDENTIFIER MUST BE POSITIONED IN THE HATCHED ZONE.

28-PIN PLCC



LTR	MIN	MAX
A	0.165	0.180
A1	0.090	0.120
A2	0.02	—
B	0.026	0.033
B1	0.013	0.021
C	0.009	0.012
D	0.485	0.495
D1	0.450	0.456
D2	0.390	0.430
E	0.485	0.495
E1	0.450	0.456
E2	0.390	0.430
L1	0.060	—
N	28	—
E1	0.050	BSC
Ch1	0.042	0.048

6. REVISION HISTORY

REVISION	DESCRIPTION
090100	Preliminary release
112700	Remove references to 3V operation
120600	Add FSP pin to block diagram
021501	Add mechanical drawings for PLCC package
060601	Added jitter specifications and pinout for all packages
082001	Added timing diagrams
032002	Updated jitter specifications
032803	Added 3.3V operation specifications
113004	Added soldering temperature to <i>Absolute Maximum Ratings</i> section