

# DATA SHEET

For a complete data sheet, please also download:

- The IC04 LOCMOS HE4000B Logic Family Specifications HEF, HEC
- The IC04 LOCMOS HE4000B Logic Package Outlines/Information HEF, HEC

## **HEF4543B** **MSI** BCD to 7-segment latch/decoder/driver

Product specification  
File under Integrated Circuits, IC04

January 1995

# BCD to 7-segment latch/decoder/driver

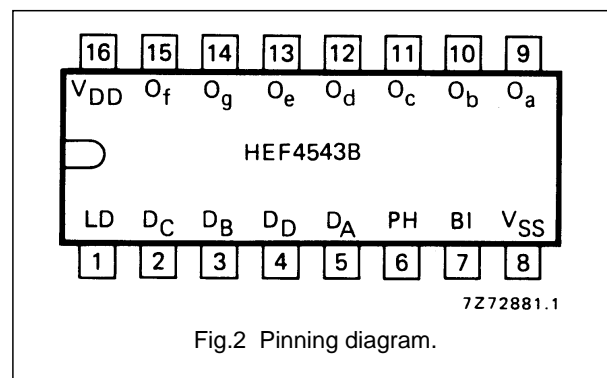
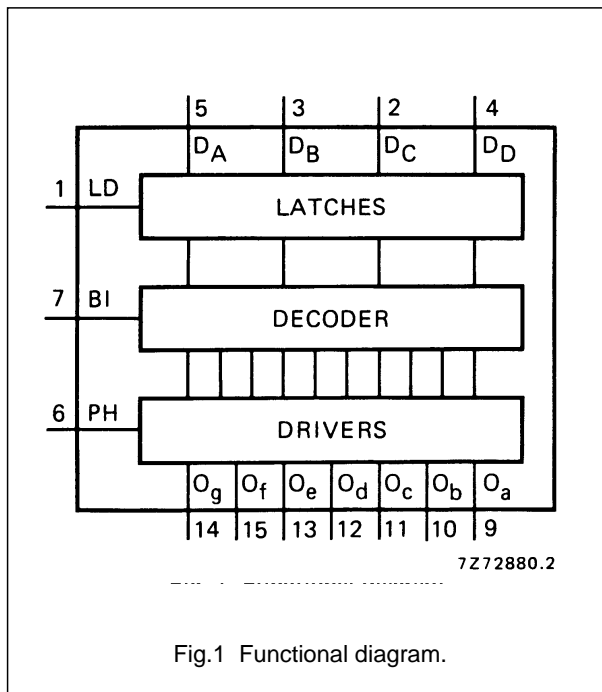
## HEF4543B MSI

### DESCRIPTION

The HEF4543B is a BCD to 7-segment latch/decoder/driver for liquid crystal and LED displays. It has four address inputs ( $D_A$  to  $D_D$ ), an active HIGH latch disable input (LD), an active HIGH blanking input (BI), an active HIGH phase input (PH) and seven buffered segment outputs ( $O_a$  to  $O_g$ ).

The circuit provides the function of a 4-bit storage latch and an 8-4-2-1 BCD to 7-segment decoder/driver. It can invert the logic levels of the output combination. The phase (PH), blanking (BI) and latch disable (LD) inputs are used to reverse the function table phase, blank the display and store a BCD code, respectively.

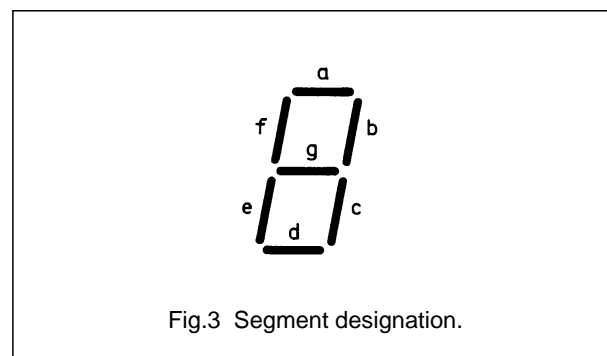
For liquid crystal displays a square-wave is applied to PH and the electrical common back-plane of the display. The outputs of the device are directly connected to the segments of the liquid crystal.



- HEF4543BP(N): 16-lead DIL; plastic (SOT38-1)
- HEF4543BD(F): 16-lead DIL; ceramic (cerdip) ( SOT74)
- HEF4543BT(D): 16-lead SO; plastic (SOT109-1)
- ( ) : Package Designator North America

### PINNING

- $D_A$  to  $D_D$  address (data) inputs
- PH phase input (active HIGH)
- BI blanking input (active HIGH)
- LD latch disable input (active HIGH)
- $O_a$  to  $O_g$  segment outputs



### FAMILY DATA, $I_{DD}$ LIMITS category MSI

See Family Specifications



## BCD to 7-segment latch/decoder/driver

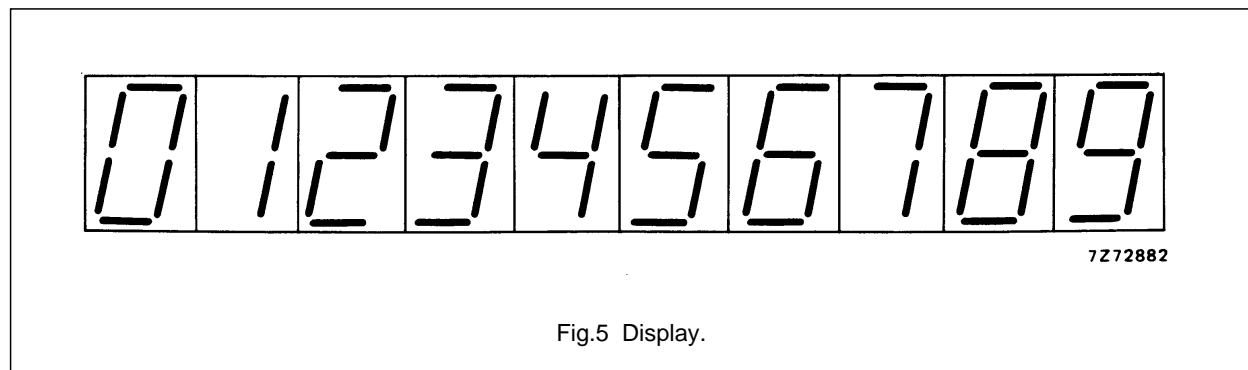
HEF4543B  
MSI

## FUNCTION TABLE

INPUTS							OUTPUTS							DISPLAY
LD	BI	PH <sup>(4)</sup>	D <sub>D</sub>	D <sub>C</sub>	D <sub>B</sub>	D <sub>A</sub>	O <sub>a</sub>	O <sub>b</sub>	O <sub>c</sub>	O <sub>d</sub>	O <sub>e</sub>	O <sub>f</sub>	O <sub>g</sub>	
X	H	L	X	X	X	X	L	L	L	L	L	L	L	blank
H	L	L	L	L	L	L	H	H	H	H	H	H	L	0
H	L	L	L	L	L	H	L	H	H	L	L	L	L	1
H	L	L	L	L	H	L	H	H	L	H	H	L	H	2
H	L	L	L	L	H	H	H	H	H	H	L	L	H	3
H	L	L	L	H	L	L	L	H	H	L	L	H	H	4
H	L	L	L	H	L	H	H	L	H	H	L	H	H	5
H	L	L	L	H	H	L	H	L	H	H	H	H	H	6
H	L	L	L	H	H	H	H	H	H	L	L	L	L	7
H	L	L	H	L	L	L	H	H	H	H	H	H	H	8
H	L	L	H	L	L	H	H	H	H	H	L	H	H	9
H	L	L	H	L	H	L	L	L	L	L	L	L	L	blank
H	L	L	H	L	H	H	L	L	L	L	L	L	L	blank
H	L	L	H	H	L	L	L	L	L	L	L	L	L	blank
H	L	L	H	H	H	H	L	L	L	L	L	L	L	blank
L	L	L	X	X	X	X	(5)							(5)
as above		H	as above				inverse of above							as above

## Notes

1. H = HIGH state (the more positive voltage)
2. L = LOW state (the less positive voltage)
3. X = state is immaterial
4. For liquid crystal displays, apply a square-wave to PH.  
For common cathode LED displays, select PH = LOW.  
For common anode LED displays, select PH = HIGH.
5. Depends upon the BCD-code previously applied when LD = HIGH.



## BCD to 7-segment latch/decoder/driver

HEF4543B  
MSI**AC CHARACTERISTICS** $V_{SS} = 0\text{ V}$ ;  $T_{amb} = 25\text{ °C}$ ;  $C_L = 50\text{ pF}$ ; input transition times  $\leq 20\text{ ns}$ 

	$V_{DD}$ V	SYMBOL	MIN.	TYP.	MAX.	TYPICAL EXTRAPOLATION FORMULA				
Propagation delays	5	$t_{PHL}$		180	360	ns	$153\text{ ns} + (0,55\text{ ns/pF}) C_L$			
				HIGH to LOW	10	75	150	ns	$64\text{ ns} + (0,23\text{ ns/pF}) C_L$	
					15	55	110	ns	$47\text{ ns} + (0,16\text{ ns/pF}) C_L$	
	5	$t_{PLH}$		180	360	ns	$153\text{ ns} + (0,55\text{ ns/pF}) C_L$			
				LOW to HIGH	10	75	150	ns	$64\text{ ns} + (0,23\text{ ns/pF}) C_L$	
					15	55	110	ns	$47\text{ ns} + (0,16\text{ ns/pF}) C_L$	
	LD $\rightarrow$ $O_n$	5	$t_{PHL}$		170	340	ns	$143\text{ ns} + (0,55\text{ ns/pF}) C_L$		
					HIGH to LOW	10	80	160	ns	$69\text{ ns} + (0,23\text{ ns/pF}) C_L$
						15	60	120	ns	$52\text{ ns} + (0,16\text{ ns/pF}) C_L$
	LOW to HIGH	5	$t_{PLH}$		190	380	ns	$163\text{ ns} + (0,55\text{ ns/pF}) C_L$		
					10	80	160	ns	$69\text{ ns} + (0,23\text{ ns/pF}) C_L$	
					15	60	120	ns	$52\text{ ns} + (0,16\text{ ns/pF}) C_L$	
BI $\rightarrow$ $O_n$	5	$t_{PHL}$		145	290	ns	$118\text{ ns} + (0,55\text{ ns/pF}) C_L$			
				HIGH to LOW	10	65	130	ns	$54\text{ ns} + (0,23\text{ ns/pF}) C_L$	
					15	45	90	ns	$37\text{ ns} + (0,16\text{ ns/pF}) C_L$	
LOW to HIGH	5	$t_{PLH}$		125	250	ns	$98\text{ ns} + (0,55\text{ ns/pF}) C_L$			
				10	55	110	ns	$54\text{ ns} + (0,23\text{ ns/pF}) C_L$		
				15	40	80	ns	$32\text{ ns} + (0,16\text{ ns/pF}) C_L$		
Output transition times	5	$t_{THL}$		60	120	ns	$10\text{ ns} + (1,0\text{ ns/pF}) C_L$			
				HIGH to LOW	10	30	60	ns	$9\text{ ns} + (0,42\text{ ns/pF}) C_L$	
					15	20	40	ns	$6\text{ ns} + (0,28\text{ ns/pF}) C_L$	
	5	$t_{TLH}$		60	120	ns	$10\text{ ns} + (1,0\text{ ns/pF}) C_L$			
				LOW to HIGH	10	30	60	ns	$9\text{ ns} + (0,42\text{ ns/pF}) C_L$	
					15	20	40	ns	$6\text{ ns} + (0,28\text{ ns/pF}) C_L$	
Minimum LD pulse width; HIGH	5	$t_{WLDH}$		60	30	ns				
	10			30	15	ns				
	15			20	10	ns				
Set-up time $D_n \rightarrow$ LD	5	$t_{su}$		40	20	ns				
	10			20	5	ns				
	15			15	0	ns				
Hold time $D_n \rightarrow$ LD	5	$t_{hold}$		0	-15	ns				
	10			15	0	ns				
	15			20	5	ns				

## BCD to 7-segment latch/decoder/driver

HEF4543B  
MSI

	$V_{DD}$ V	TYPICAL FORMULA FOR P ( $\mu$ W)	
Dynamic power dissipation per package (P)	5	$2\,200 f_i + \sum (f_o C_L) \times V_{DD}^2$	where $f_i$ = input freq. (MHz) $f_o$ = output freq. (MHz) $C_L$ = load capacitance (pF) $\sum (f_o C_L)$ = sum of outputs $V_{DD}$ = supply voltage (V)
	10	$10\,400 f_i + \sum (f_o C_L) \times V_{DD}^2$	
	15	$33\,000 f_i + \sum (f_o C_L) \times V_{DD}^2$	

## APPLICATION INFORMATION

Some examples of applications for the HEF4543B are:

- Driving LCD displays.
- Driving LED displays.
- Driving fluorescent displays.
- Driving incandescent displays.
- Driving gas discharge displays.

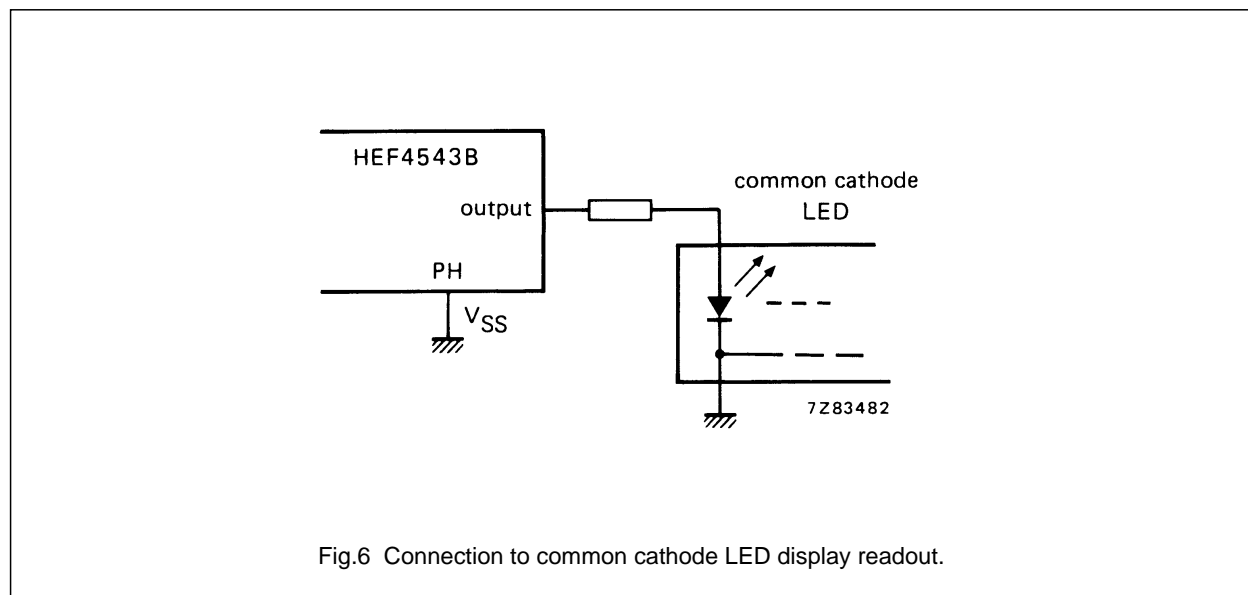
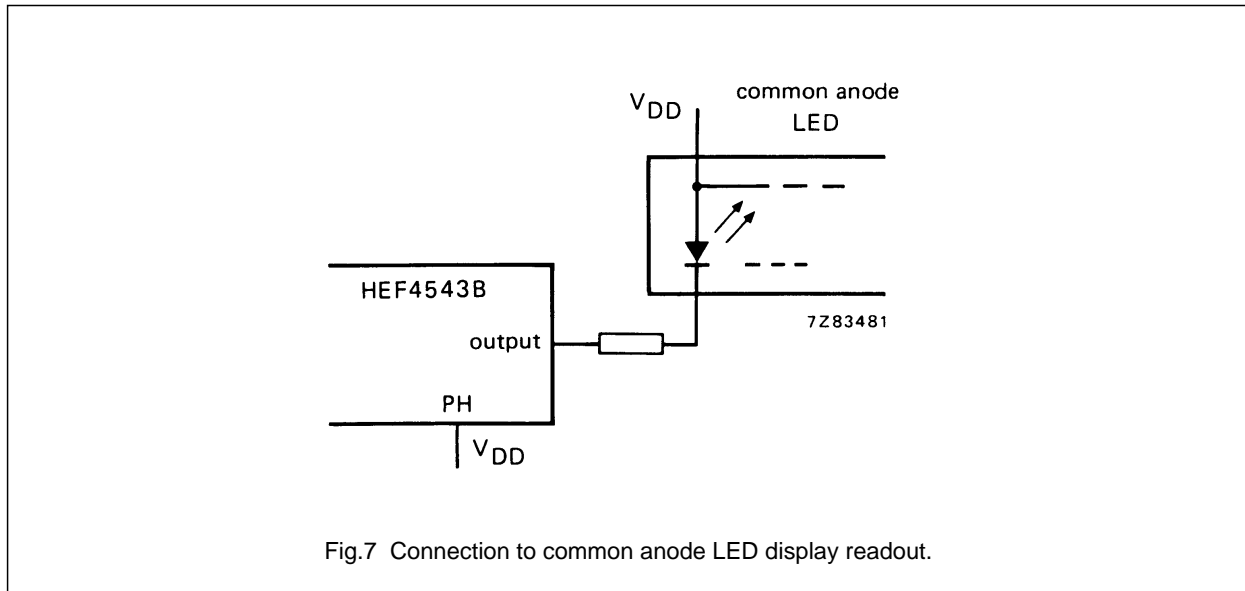
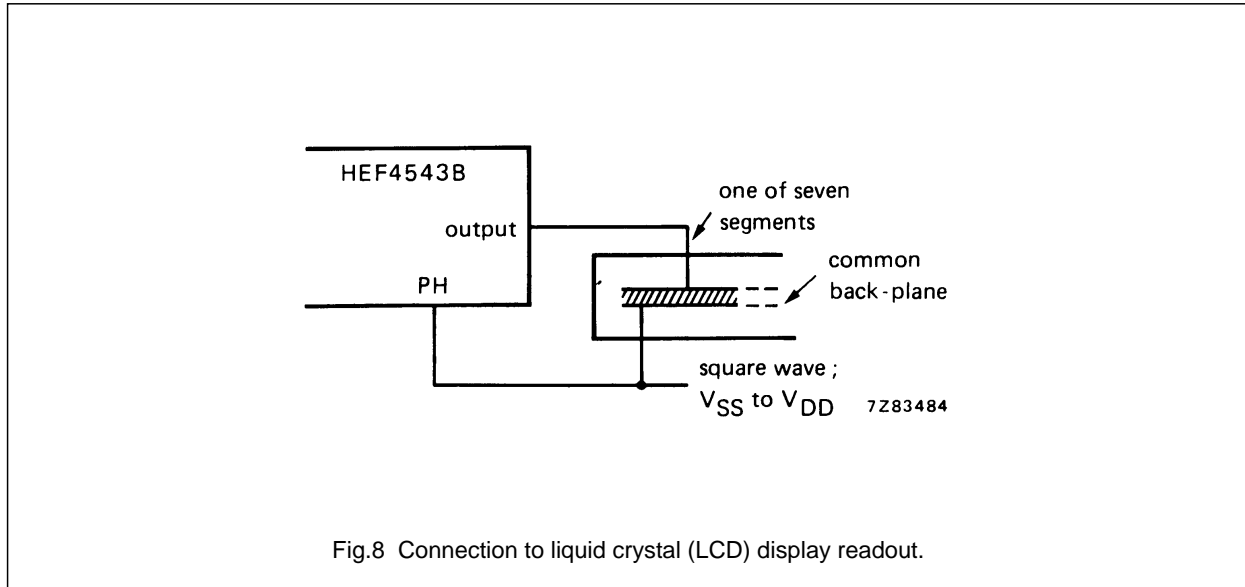


Fig.6 Connection to common cathode LED display readout.

## BCD to 7-segment latch/decoder/driver

HEF4543B  
MSI

Note to Figs 6 and 7: bipolar transistors may be added for gain where  $V_{DD} \leq 10$  V or  $I_{out} \geq 10$  mA.



BCD to 7-segment latch/decoder/driver

HEF4543B  
MSI

