

DATA SHEET

For a complete data sheet, please also download:

- The IC06 74HC/HCT/HCU/HCMOS Logic Family Specifications
- The IC06 74HC/HCT/HCU/HCMOS Logic Package Information
- The IC06 74HC/HCT/HCU/HCMOS Logic Package Outlines

74HC/HCT594

8-bit shift register with output register

Product specification
File under Integrated Circuits, IC06

December 1991

8-bit shift register with output register

74HC/HCT594

FEATURES

- Synchronous serial input and output
- 8-bit parallel output
- Shift and storage register have independent direct clear and clocks
- 100 MHz (typ.)
- Output capability:
 - parallel outputs: bus driver
 - serial outputs: standard
- I_{CC} category: MSI

APPLICATIONS

- Serial-to parallel data conversion
- Remote control holding register

DESCRIPTION

The 74HC/HCT594 are high-speed, Si-gate CMOS devices, and are pin compatible with low power Schottky TTL (LSTTL). They are specified in compliance with JEDEC standard No. 7A.

The 74HC/HCT594 contain an 8-bit, non-inverting, serial-in, parallel-out shift register that feeds an 8-bit D-type storage register. Separate clocks and direct overriding clears are provided on both the shift and storage registers. A serial output (Q₇') is provided for cascading purposes.

Both the shift and storage register clocks are positive-edge triggered. If the user wishes to connect both clocks together, the shift register will always be one count pulse ahead of the storage register.

QUICK REFERENCE DATA

GND = 0 V; T_{amb} = 250 C; t_r = t_f = 6 ns.

SYMBOL	PARAMETER	CONDITIONS	TYPICAL		UNIT
			HC	HCT	
t _{PHL} /t _{PLH}	propagation delay SH _{CP} to Q ₇ '	C _L = 15 pF; V _{CC} = 5 V	13	15	ns
	ST _{CP} to Q _n		13	15	ns
	SH _R to Q _n		11	14	ns
	ST _R to Q _n		11	14	ns
f _{max}	maximum clock frequency SH _{CP} , ST _{CP}		100	100	MHz
C _I	input capacitance		3.5	3.5	pF
C _{PD}	power dissipation capacitance per package	notes 1 and 2	84	89	pF

Notes

1. C_{PD} is used to determine the dynamic power dissipation (P_D in μW).
 $P_D = C_{PD} \times V_{CC}^2 \times f_i + \sum (C_L \times V_{CC}^2 \times f_o)$, where:
 f_i = input frequency in MHz; f_o = output frequency in MHz;
 $\sum (C_L \times V_{CC}^2 \times f_o)$ = sum of the outputs;
 C_L = output load capacitance in pF; V_{CC} = supply voltage in V.
2. For HC, the condition is V_I = GND to V_{CC}; for HCT, the condition is V_I = GND to V_{CC} – 1.5 V.

ORDERING INFORMATION

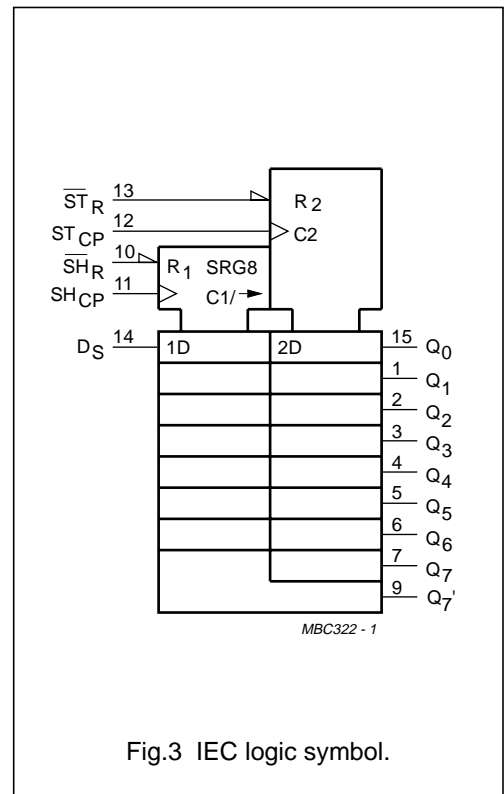
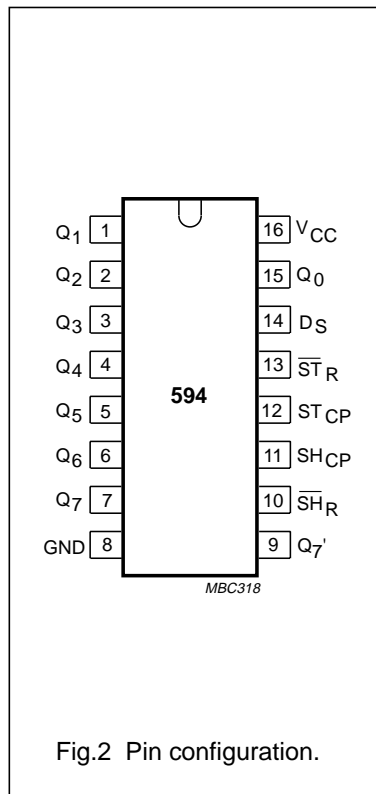
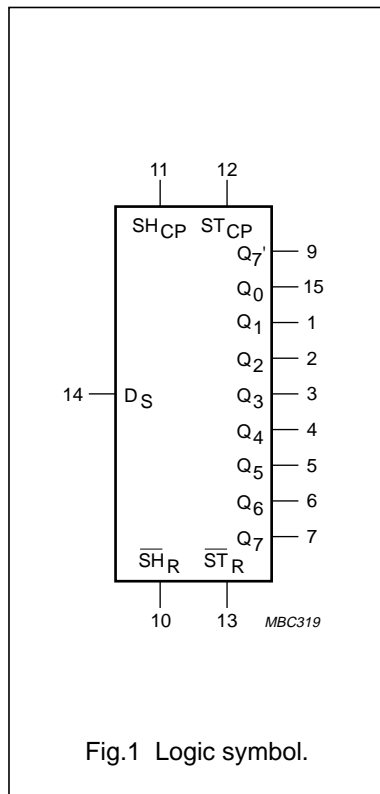
EXTENDED TYPE NUMBER	PACKAGES			
	PINS	PIN POSITION	MATERIAL	CODE
PC74HC/HCT594P	16	DIL	plastic	SOT38C, P
PC74HC/HCT594T	16	SO	plastic	SOT109A

8-bit shift register with output register

74HC/HCT594

PINNING

SYMBOL	PIN	DESCRIPTION
Q ₀ to Q ₇	15 & 1 to 7	parallel data outputs
GND	8	ground (0 V)
Q ₇ '	9	serial data output
$\overline{\text{SH}}_R$	10	shift register reset (active LOW)
SH _{CP}	11	shift register clock input
ST _{CP}	12	storage register clock input
$\overline{\text{ST}}_R$	13	storage register reset active (LOW)
D _s	14	serial data input
V _{CC}	16	supply voltage



8-bit shift register with output register

74HC/HCT594

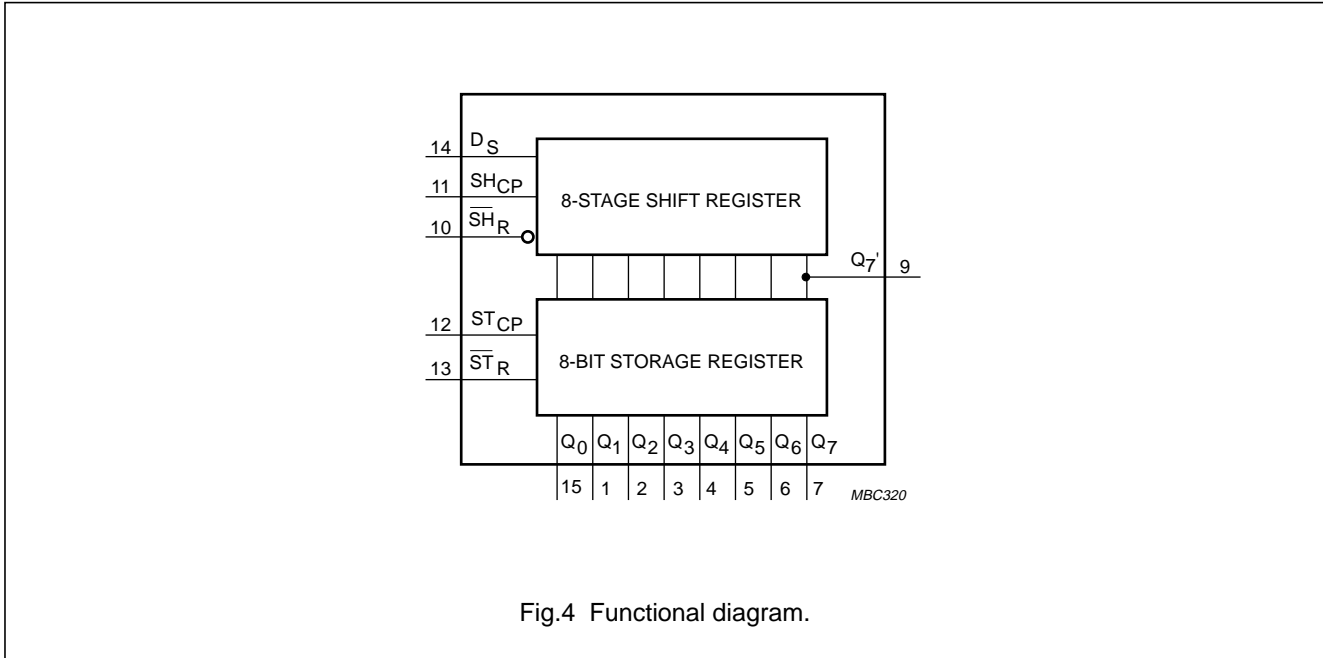


Fig.4 Functional diagram.

FUNCTION TABLE

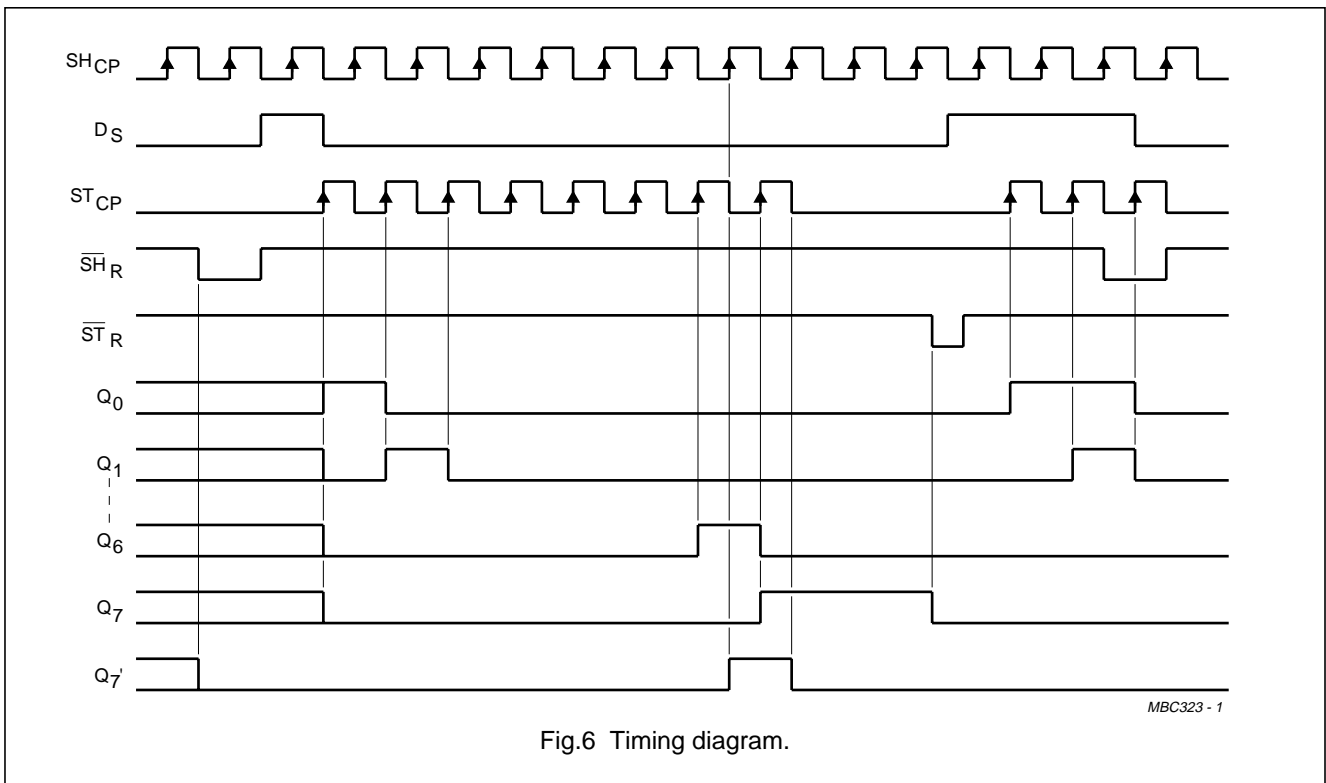
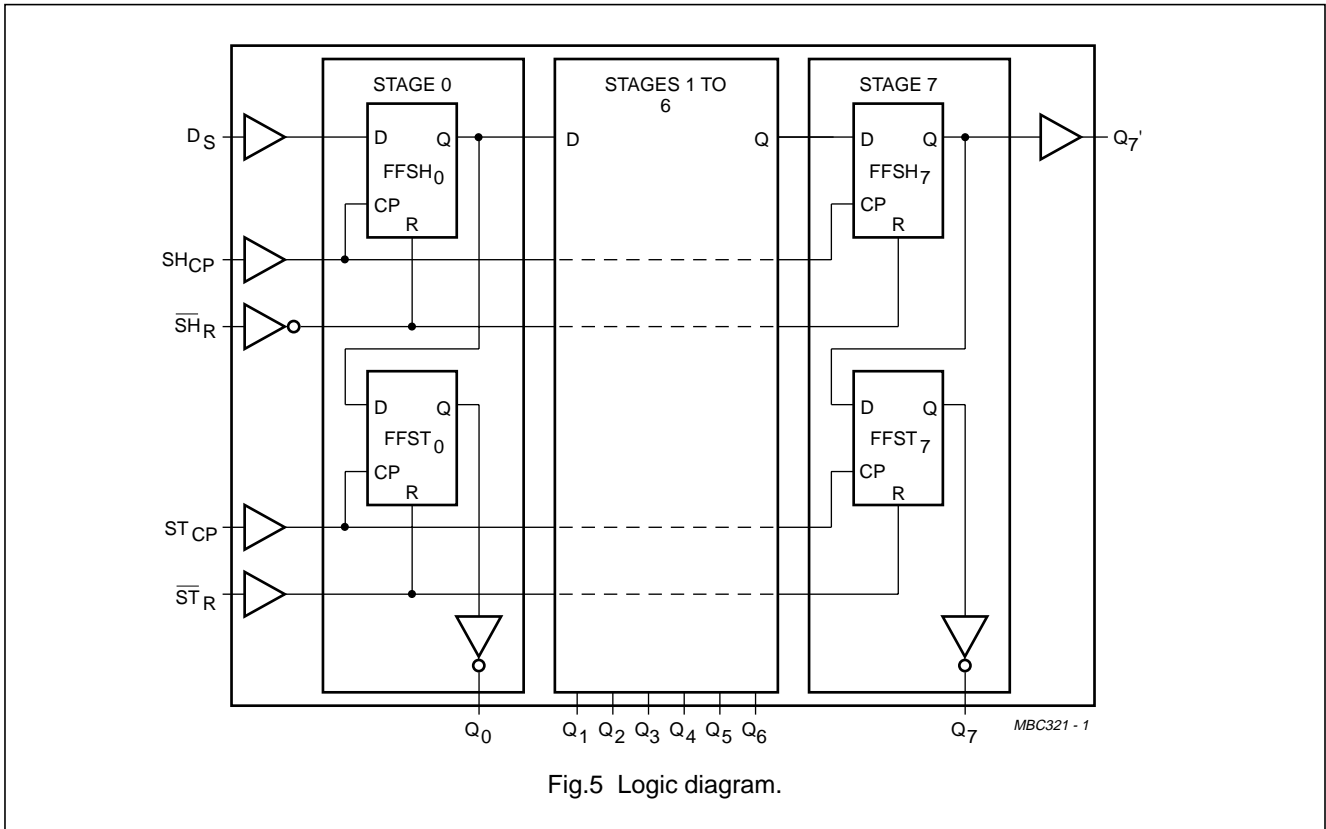
INPUTS					OUTPUTS		FUNCTION
SH _{CP}	ST _{CP}	SH _R	ST _R	D _S	Q _{7'}	Q _n	
X	X	L	X	X	L	NC	a LOW level on SH _R only affects the shift registers.
X	X	X	L	X	NC	L	a LOW level on ST _R only affects the storage registers.
X	↑	L	H	X	L	L	empty shift register loaded into storage register.
↑	X	H	X	H	Q _{6'}	NC	logic HIGH level shifted into shift register stage 0. Contents of all shift register stages shifted through, e.g. previous state of stage 6 (internal Q _{6'}) appears on the serial output (Q _{7'}).
X	↑	H	H	X	NC	Q _{n'}	contents of shift register stages (internal Q _{n'}) are transferred to the storage register and parallel output stages.
↑	↑	H	H	X	Q _{6n}	Q _{n'}	contents of shift register shifted through. Previous contents of shift register transferred to the storage register and the parallel output stages.

Note

- H = HIGH voltage level
 L = LOW voltage level
 ↑ = LOW-to-HIGH transition
 NC = no change
 X = don't care.

8-bit shift register with output register

74HC/HCT594



8-bit shift register with output register

74HC/HCT594

DC CHARACTERISTICS FOR 74HC

For the DC characteristics, see *"74HC/HCT/HCU/HCMOS Logic Family Specifications"*.

Output capability: parallel outputs, bus driver; serial output, standard.

I_{CC} category: MSI.

AC CHARACTERISTICS FOR 74HC

GND = 0 V; $t_r = t_f = 6$ ns; $C_L = 50$ pF.

SYMBOL	PARAMETER	T_{amb} (°C)							UNIT	TEST CONDITIONS	
		+25			-40 to +85		-40 to +125			V_{CC} (V)	WAVEFORMS
		min.	typ.	max.	min.	max.	min.	max.			
t_{PHL}/t_{PLH}	propagation delay SH_{CP} to Q_7'	–	44	150	–	185	–	225	ns	2.0	Fig.7
		–	16	30	–	37	–	45	ns	4.5	
		–	14	26	–	31	–	38	ns	6.0	
	propagation delay ST_{CP} to Q_n	–	44	150	–	185	–	225	ns	2.0	Fig.8
		–	16	30	–	37	–	45	ns	4.5	
		–	14	26	–	31	–	38	ns	6.0	
t_{PHL}	propagation delay SH_R to Q_7'	–	39	150	–	185	–	225	ns	2.0	Fig.11
		–	14	30	–	37	–	45	ns	4.5	
		–	12	26	–	31	–	38	ns	6.0	
	propagation delay ST_R to Q_n	–	39	125	–	155	–	185	ns	2.0	Fig.12
		–	14	25	–	31	–	37	ns	4.5	
		–	12	21	–	26	–	31	ns	6.0	
t_W	shift clock pulse width HIGH or LOW	80	10	–	100	–	120	–	ns	2.0	Fig.7
		16	4	–	20	–	24	–	ns	4.5	
		14	3	–	17	–	20	–	ns	6.0	
	storage clock pulse width HIGH or LOW	80	10	–	100	–	120	–	ns	2.0	Fig.8
		16	4	–	20	–	24	–	ns	4.5	
		14	3	–	17	–	20	–	ns	6.0	
	shift and storage reset pulse width HIGH or LOW	80	14	–	100	–	120	–	ns	2.0	Fig.11 and Fig.12
		16	5	–	20	–	24	–	ns	4.5	
		14	4	–	17	–	20	–	ns	6.0	
t_{su}	set-up time D_s to SH_{CP}	100	10	–	125	–	150	–	ns	2.0	Fig.9
		20	4	–	25	–	30	–	ns	4.5	
		17	3	–	21	–	26	–	ns	6.0	
	set-up time SH_R to ST_{CP}	100	14	–	125	–	150	–	ns	2.0	Fig.10
		20	5	–	25	–	30	–	ns	4.5	
		17	4	–	21	–	26	–	ns	6.0	
	set-up time SH_{CP} to ST_{CP}	100	17	–	125	–	150	–	ns	2.0	Fig.8
		20	6	–	25	–	30	–	ns	4.5	
		17	5	–	21	–	26	–	ns	6.0	

8-bit shift register with output register

74HC/HCT594

SYMBOL	PARAMETER	T _{amb} (°C)							UNIT	TEST CONDITIONS	
		+25			-40 to +85		-40 to +125			V _{CC} (V)	WAVEFORMS
		min.	typ.	max.	min.	max.	min.	max.			
t _h	hold time D _s to SH _{CP}	25	-8	-	30	-	35	-	ns	2.0	Fig.9
		5	-3	-	6	-	7	-	ns	4.5	
		4	-2	-	5	-	6	-	ns	6.0	
t _{rem}	removal time	50	-14	-	65	-	75	-	ns	2.0	Fig.11 and Fig.12
	SH _R to SH _{CP} ,	10	-5	-	13	-	15	-	ns	4.5	
	ST _R to ST _{CP}	9	-4	-	11	-	13	-	ns	6.0	
f _{max}	maximum clock	6.0	30	-	4.8	-	4.0	-	MHz	2.0	Fig.7 and Fig.8
	frequency	30	92	-	24	-	20	-	MHz	4.5	
	SH _{CP} or ST _{CP}	35	109	-	28	-	24	-	MHz	6.0	

8-bit shift register with output register

74HC/HCT594

DC CHARACTERISTICS FOR 74HCT

For the DC characteristics, see "74HC/HCT/HCU/HCMOS Logic Family Specifications".

Output capability: parallel outputs, bus driver; serial output, standard.

I_{CC} category: MSI.

Note to HCT types

The value of additional quiescent supply current (ΔI_{CC}) for a unit load of 1 is given in the family specifications. To determine ΔI_{CC} per input, multiply this value by the unit load coefficient shown in the following table.

INPUT	UNIT LOAD COEFFICIENT
D_s	0.25
\overline{SH}_R	1.50
SH_{CP}	1.50
ST_{CP}	1.50
\overline{ST}_R	1.50

AC CHARACTERISTICS FOR 74HCT

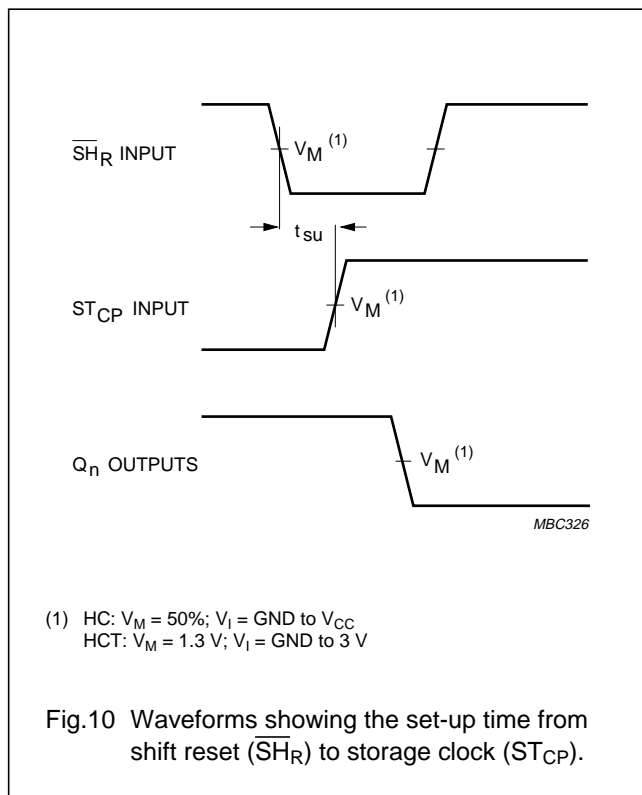
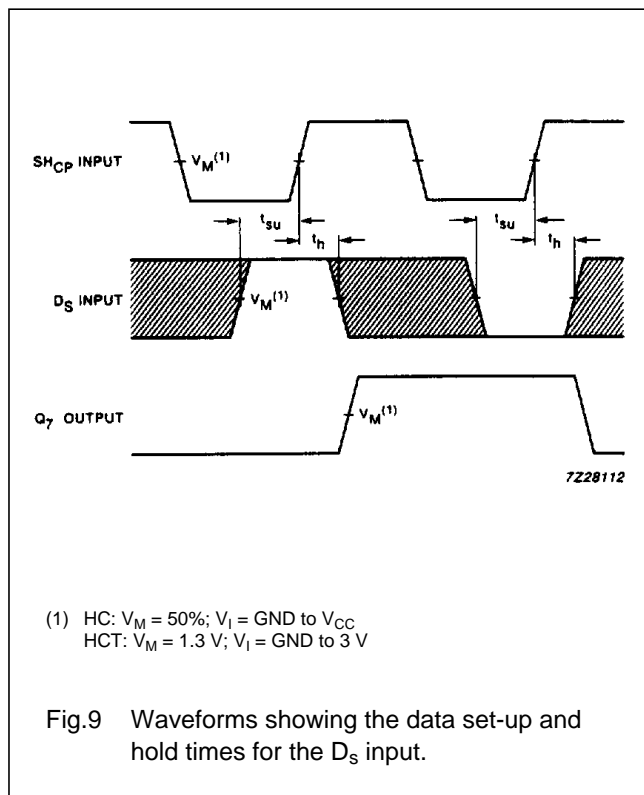
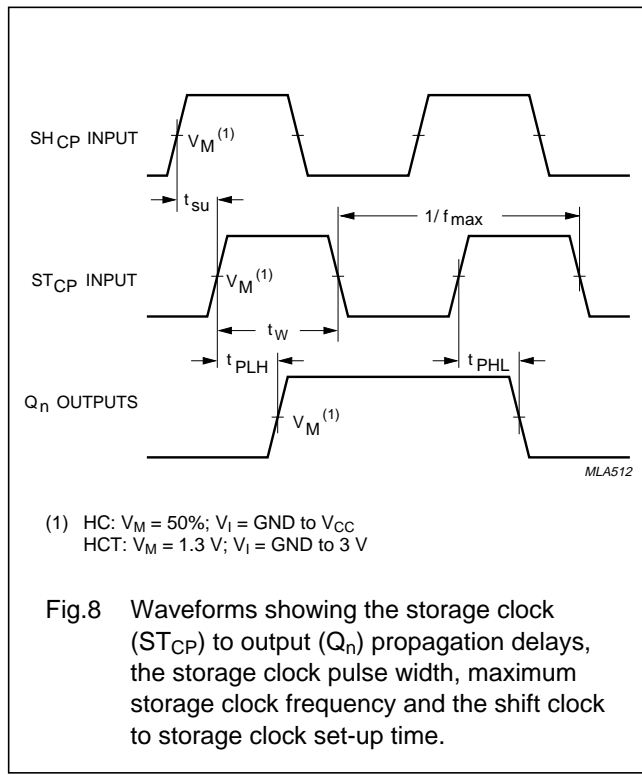
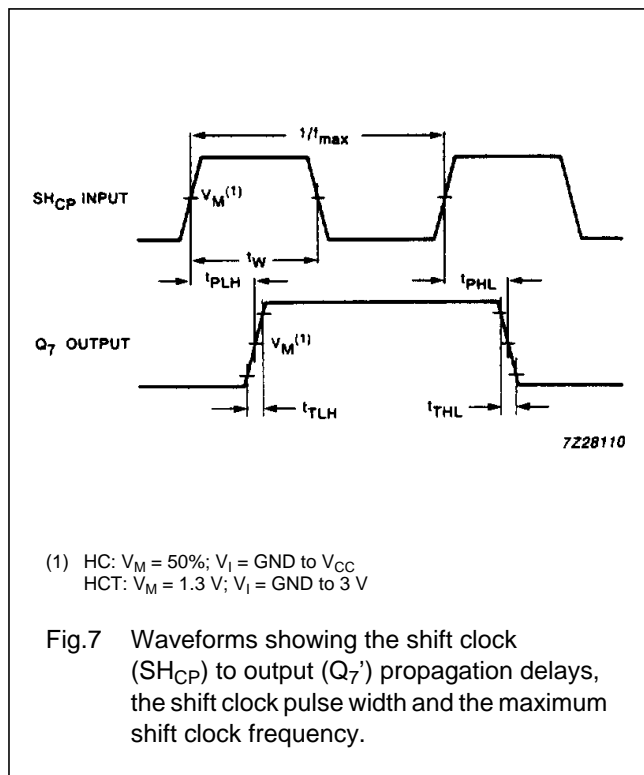
GND = 0 V; $t_r = t_f = 6$ ns; $C_L = 50$ pF.

SYMBOL	PARAMETER	T_{amb} (°C)							UNIT	TEST CONDITIONS	
		+25			-40 to +85		-40 to +125			V_{CC} (V)	WAVEFORMS
		min.	typ.	max.	min.	max.	min.	max.			
t_{PHL}/t_{PLH}	propagation delay SH_{CP} to Q_7'	–	18	32	–	40	–	48	ns	4.5	Fig.7
	propagation delay ST_{CP} to Q_n	–	18	32	–	40	–	48	ns	4.5	Fig.8
t_{PHL}	propagation delay \overline{SH}_R to Q_7'	–	17	30	–	38	–	45	ns	4.5	Fig.11
	propagation delay \overline{ST}_R to Q_n	–	17	30	–	38	–	45	ns	4.5	Fig.12
t_w	shift clock pulse width HIGH or LOW	16	4	–	20	–	24	–	ns	4.5	Fig.7
	storage clock pulse width HIGH or LOW	16	4	–	20	–	24	–	ns	4.5	Fig.8
	shift and storage reset pulse width HIGH or LOW	16	6	–	20	–	24	–	ns	4.5	Fig.11 and Fig.12
t_{su}	set-up time D_s to SH_{CP}	20	4	–	25	–	30	–	ns	4.5	Fig.9
	set-up time \overline{SH}_R to ST_{CP}	20	6	–	25	–	30	–	ns	4.5	Fig.10
	set-up time SH_{CP} to ST_{CP}	20	7	–	25	–	30	–	ns	4.5	Fig.8
t_h	hold time D_s to SH_{CP}	5	–3	–	6	–	7	–	ns	4.5	Fig.9
t_{rem}	removal time \overline{SH}_R to SH_{CP} , \overline{ST}_R to ST_{CP}	10	–5	–	13	–	15	–	ns	4.5	Fig.11 and Fig.12
f_{max}	maximum clock frequency SH_{CP} or ST_{CP}	30	92	–	24	–	20	–	MHz	4.5	Fig.7 and Fig.8

8-bit shift register with output register

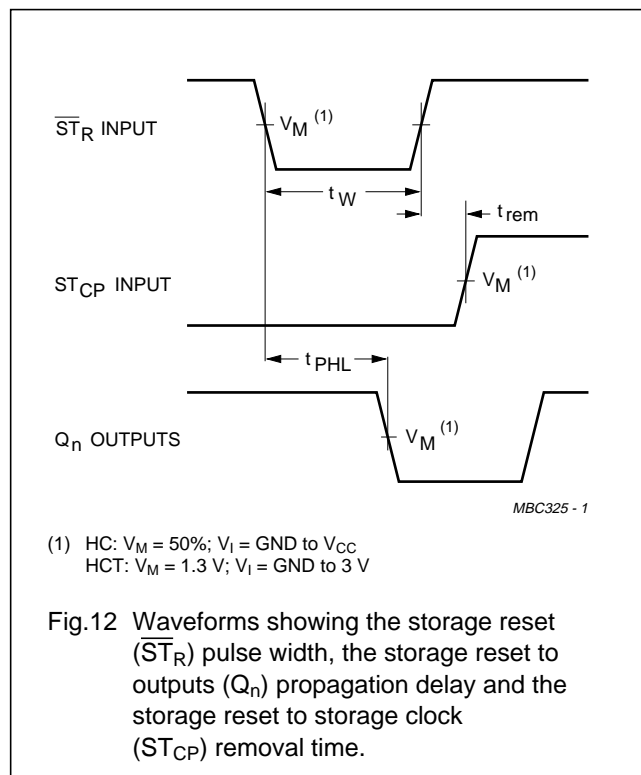
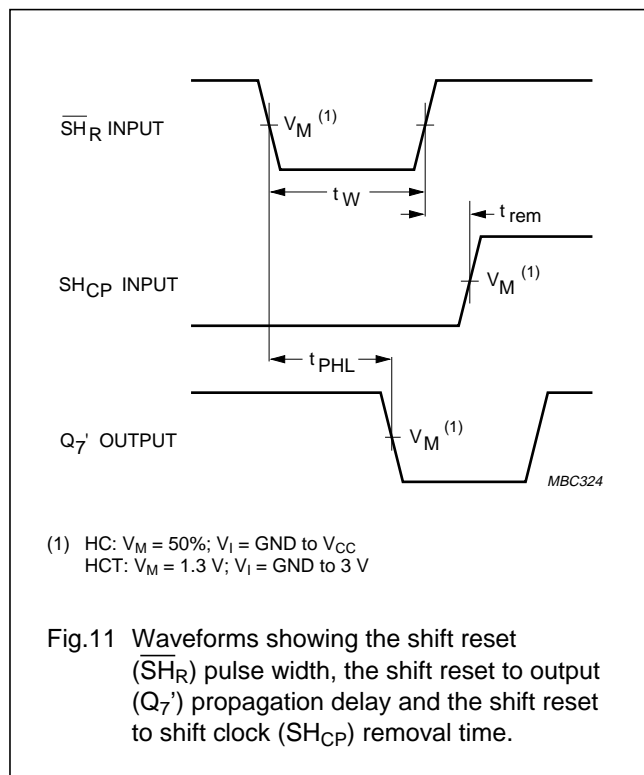
74HC/HCT594

AC WAVEFORMS



8-bit shift register with output register

74HC/HCT594



PACKAGE OUTLINES

See "74HC/HCT/HCU/HCMOS Logic Package Outlines".