

DATA SHEET

For a complete data sheet, please also download:

- The IC04 LOCMOS HE4000B Logic Family Specifications HEF, HEC
- The IC04 LOCMOS HE4000B Logic Package Outlines/Information HEF, HEC

HEF40374B

MSI

Octal D-type flip-flop with 3-state outputs

Product specification
File under Integrated Circuits, IC04

January 1995

Octal D-type flip-flop with 3-state outputs

HEF40374B
MSI

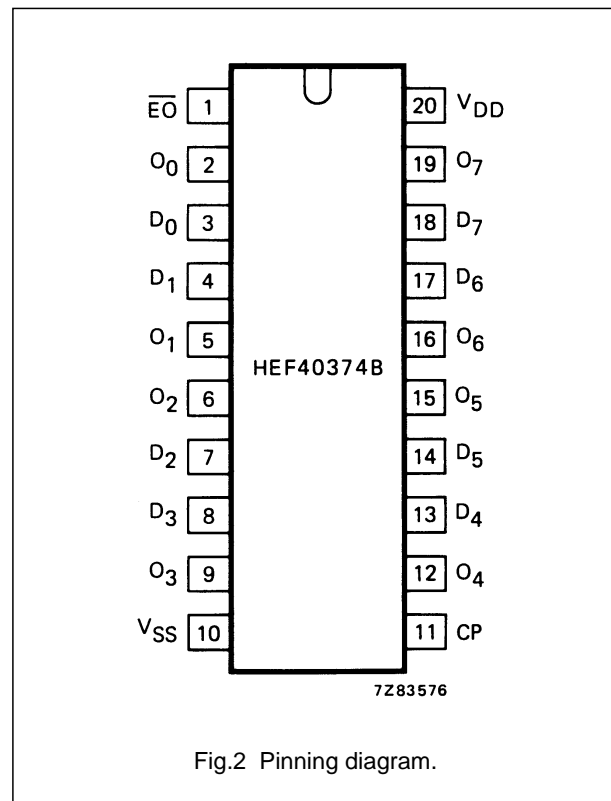
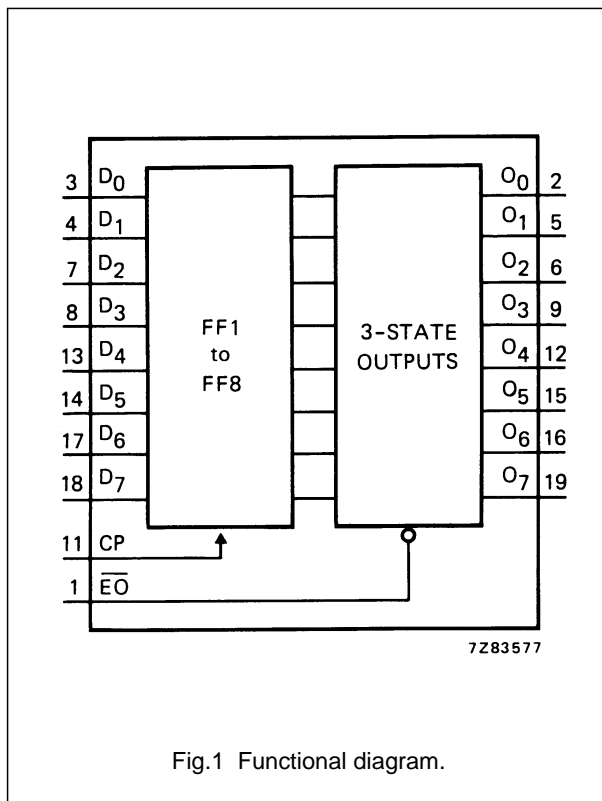
DESCRIPTION

The HEF40374B is an octal D-type flip-flop with 3-state buffered outputs with a common clock input (CP). The device is used primarily as an 8-bit positive edge-triggered storage register for interfacing with a 3-state bus. Data on the D-inputs is transferred to storage during the LOW-to-HIGH transition of the clock (CP) input. The 3-state output buffers are controlled by an active LOW output enable input (\overline{EO}). A HIGH on \overline{EO} forces the eight outputs to a high impedance OFF-state. When \overline{EO} is LOW, the data in the register appears at the outputs.

The output stages have high current output capability suitable for driving highly capacitive loads. The device features hysteresis on the CP input to improve noise rejection. Schmitt-trigger action in the E input makes the circuit highly tolerant to slower input rise and fall times.

The HEF40374B is pin and functionally compatible with the TTL '374' device.

Supply voltage range: 3 to 15 V.



HEF40374BP(N): 20-lead DIL; plastic (SOT146-1)

HEF40374BD(F): 20-lead DIL; ceramic (cerdip) (SOT152)

HEF40374BT(D): 20-lead SO; plastic (SOT163-1)

(): Package Designator North America

PINNING

D₀ to D₇ data inputs
 CP clock input
 \overline{EO} output enable input (active LOW)
 O₀ to O₇ 3-state buffered outputs

FAMILY DATA, I_{DD} LIMITS category MSI

See Family Specifications

Octal D-type flip-flop with 3-state outputs

HEF40374B
MSI

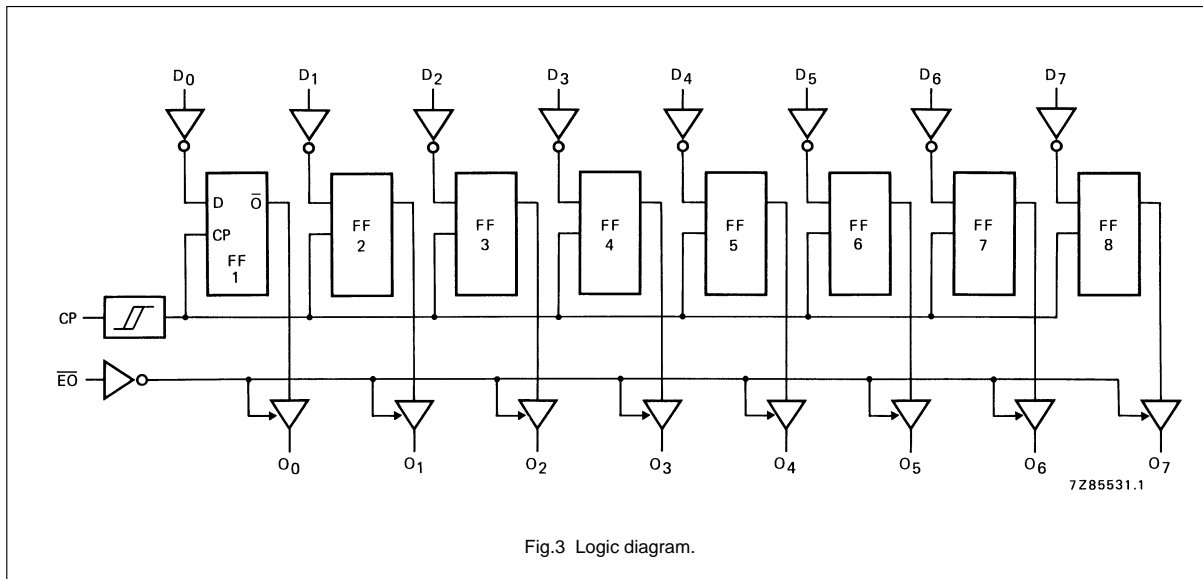


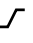



Fig.3 Logic diagram.


Octal D-type flip-flop with 3-state outputs

HEF40374B
MSI

FUNCTION TABLE

OPERATING MODES	INPUTS			INTERNAL REGISTER	OUTPUTS O ₀ TO O ₇
	\overline{EO}	CP	D _n		
load & read register	L		l	L	L
	L		h	H	H
load register & disable outputs	H		l	L	Z
	H		h	H	Z

Notes

- H = HIGH state (the more positive voltage)
 h = HIGH state (one set-up time prior to the LOW-to-HIGH clock transition)
 L = LOW state (the less positive voltage)
 l = LOW state (one set-up time prior to the LOW-to-HIGH clock transition)
 Z = high impedance OFF-state
 = LOW-to-HIGH clock transition

Octal D-type flip-flop with 3-state outputs

HEF40374B
MSI

RATINGS

Limiting values in accordance with the Absolute Maximum System (IEC 134)

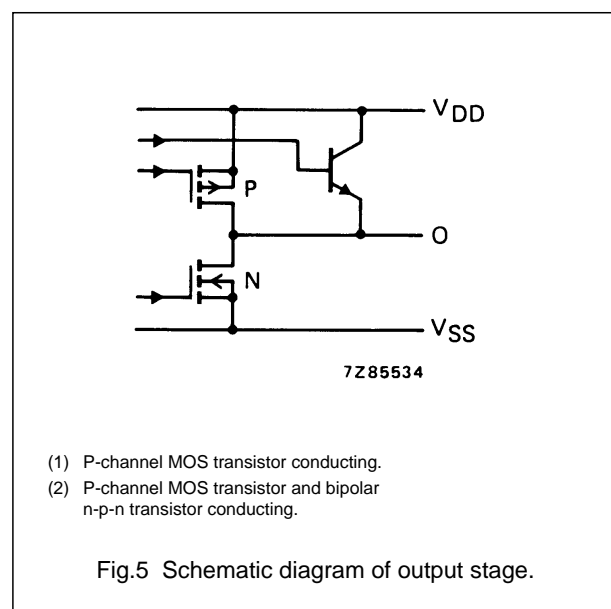
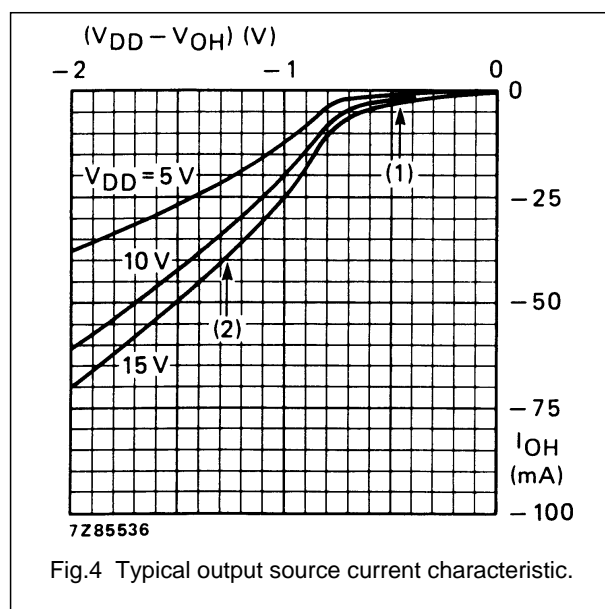
See Family Specifications, except for:

D.C. current into any input	$\pm I_I$	max.	10 mA
D.C. source or sink current into any output	$\pm I_O$	max.	25 mA
D.C. current into the supply terminals	$\pm I$	max.	100 mA

DC CHARACTERISTICS

 $V_{SS} = 0$ V

	V_{DD} V	V_{OH} V	V_{OL} V	SYMBOL	T_{amb} (°C)					
					-40		+25		+85	
					MIN.	TYP.	MIN.	TYP.	MIN.	TYP.
Output current HIGH	5	4,6		$-I_{OH}$	0,75	0,6	1,2	0,45	mA	
	10	9,5			1,85	1,5	3,0	1,1	mA	
	15	13,5			14,5	15	50	15,5	mA	
Output current HIGH	5	3,6		$-I_{OH}$	9,3	10	24	10,7	mA	
	10	8,4			14,4	15	46	15,0	mA	
	15	13,2			19,5	20	62	19,8	mA	
Output current LOW	5		0,4	I_{OL}	2,9	2,3	5,4	1,75	mA	
	10		0,5		9,5	7,6	17	5,50	mA	
	15		1,5		30,0	25	45	19,0	mA	
Hysteresis voltage at clock input (CP)	5			V_H			220		mV	
	10						250		mV	
	15						320		mV	



Octal D-type flip-flop with 3-state outputs

HEF40374B
MSI**AC CHARACTERISTICS** $V_{SS} = 0\text{ V}$; $T_{amb} = 25\text{ °C}$; $C_L = 50\text{ pF}$; input transition times $\leq 20\text{ ns}$

	V_{DD} V	SYMBOL	MIN.	TYP.	MAX.	TYPICAL EXTRAPOLATION FORMULA	
Propagation delays							
CP \rightarrow O_n	5			125	250	ns	113 ns + (0,24 ns/pF) C_L
HIGH to LOW	10	t_{PHL}		55	110	ns	54 ns + (0,01 ns/pF) C_L
	15			40	80	ns	36 ns + (0,07 ns/pF) C_L
CP \rightarrow O_n	5			125	250	ns	122 ns + (0,06 ns/pF) C_L
LOW to HIGH	10	t_{PLH}		55	110	ns	53 ns + (0,03 ns/pF) C_L
	15			40	80	ns	39 ns + (0,02 ns/pF) C_L
Output transition times	5			40	80	ns	see Fig.6
HIGH to LOW	10	t_{THL}		20	40	ns	
	15			15	30	ns	
LOW to HIGH	5			30	60	ns	
	10	t_{TLH}		20	40	ns	
	15			15	30	ns	
3-state propagation delays							
Output disable times							
$\overline{EO} \rightarrow O_n$	5			60	120	ns	
HIGH	10	t_{PHZ}		30	60	ns	
	15			24	48	ns	
LOW	5			70	140	ns	
	10	t_{PLZ}		35	70	ns	
	15			30	60	ns	
Output enable times							
$\overline{EO} \rightarrow O_n$	5			65	130	ns	
HIGH	10	t_{PZH}		30	60	ns	
	15			24	48	ns	
LOW	5			85	170	ns	
	10	t_{PZL}		35	70	ns	
	15			25	50	ns	
Set-up time							
$D_n \rightarrow$ CP	5		20	0		ns	
	10	t_{su}	20	2		ns	
	15		20	5		ns	
Hold time							
$D_n \rightarrow$ CP	5		20	10		ns	
	10	t_{hold}	15	2		ns	
	15		10	0		ns	

Octal D-type flip-flop with 3-state outputs

HEF40374B
MSI

	V _{DD} V	SYMBOL	MIN.	TYP.	MAX.	TYPICAL EXTRAPOLATION FORMULA
Minimum clock pulse width; LOW	5	t _{WCPL}	50	25	ns	
	10		25	12	ns	
	15		20	10	ns	
Maximum clock pulse frequency	5	f _{max}	25	5	MHz	
	10		6	12	MHz	
	15		8	17	MHz	

AC CHARACTERISTICS

V_{SS} = 0 V; T_{amb} = 25 °C; input transition times ≤ 20 ns

	V _{DD} V	TYPICAL FORMULA FOR P (μW)	
Dynamic power dissipation per package (P)	5	3 775 f _i + ∑ (f _o C _L) × V _{DD} ²	where f _i = input freq. (MHz) f _o = output freq. (MHz) C _L = load capacitance (pF) ∑ (f _o C _L) = sum of outputs V _{DD} = supply voltage (V)
	10	15 700 f _i + ∑ (f _o C _L) × V _{DD} ²	
	15	40 575 f _i + ∑ (f _o C _L) × V _{DD} ²	

