



Integrated Device Technology, Inc.

**BiCMOS StaticRAM
240K (16K x 15-BIT)
CACHE-TAG RAM
For the Pentium™ Processor**

IDT71215

FEATURES:

- 16K x 15 Configuration
 - 12 TAG Bits
 - 3 Separate I/O Status Bits (Valid, Dirty, Write Through)
- Match output uses Valid bit to qualify MATCH output
- High-Speed Address-to-Match comparison times
 - 8/9/10/12ns over commercial temperature range
- BRDY circuitry included inside the Cache-Tag for highest speed operation
- Asynchronous Read/Match operation with Synchronous Write and Reset operation
- Separate \overline{WE} for the TAG bits and the Status bits
- Separate \overline{OE} for the TAG bits, the Status bits, and \overline{BRDY}
- Synchronous \overline{RESET} pin for invalidation of all Tag entries
- Dual Chip selects for easy depth expansion with no performance degradation
- I/O pins both 5V TTL and 3.3V LVTTTL compatible with VCCQ pins
- \overline{PWRDN} pin to place device in low-power mode
- Packaged in a 80-pin Thin Plastic Quad Flat Pack (TQFP)

DESCRIPTION:

The IDT71215 is a 245,760-bit Cache Tag StaticRAM, organized 16K x 15 and designed to support the Pentium and other Intel processors at bus speeds up to 66MHz. There are twelve common I/O TAG bits, with the remaining three bits used as status bits. A 12-bit comparator is on-chip to allow fast comparison of the twelve stored TAG bits and the current Tag input data. An active HIGH MATCH output is generated when these two groups of data are the same for a given address.

This high-speed MATCH signal, with tADM as fast as 8ns, provides the fastest possible enabling of secondary cache accesses.

The three separate I/O status bits (VLD, DTY, and WT) can be configured for either dedicated or generic functionality, depending on the SFUNC input pin. With SFUNC LOW, the status bits are defined and used internally by the device, allowing easier determination of the validity and use of the given Tag data. SFUNC HIGH releases the defined internal status bit usage and control, allowing the user to configure the status bit information to fit his system needs. A synchronous \overline{RESET} pin, when held LOW at a rising clock edge, will reset all status bits in the array for easy invalidation of all Tag addresses.

The IDT71215 also provides the option for Burst Ready (BRDY) generation within the cache tag itself, based upon MATCH, VLD bit, WT bit, and external inputs provided by the user. This can significantly simplify cache controller logic and minimize cache decision time. Match and Read operations are both asynchronous in order to provide the fastest access times possible, while Write operations are synchronous for ease of system timing.

The IDT71215 uses a 5V power supply on Vcc with separate VCCQ pins provided for the outputs to offer compliance with both 5.0V TTL and 3.3V LVTTTL Logic levels. The \overline{PWRDN} pin offers a low-power standby mode to reduce power consumption by 90%, providing significant system power savings.

The IDT71215 is fabricated using IDT's high-performance, high-reliability BiCMOS technology and is offered in a space-saving 80-pin Thin Plastic Quad Flat Pack (TQFP) package.

PIN DESCRIPTIONS

A0 – A13	Address Inputs	Input
$\overline{CS1}$, $\overline{CS2}$	Chip Selects	Input
$\overline{WE1}$	Write Enable - Tag Bits	Input
$\overline{WE2}$	Write Enable - Status Bits	Input
$\overline{OE1}$	Output Enable - Tag Bits	Input
$\overline{OE2}$	Output Enable - Status Bits	Input
\overline{RESET}	Status Bit Reset	Input
\overline{PWRDN}	Powerdown Mode Control Pin	Input
SFUNC	Status Bit Function Control Pin	Input
W/R	Write/Read Input from Processor	Input
VLD _{IN} / S1 _{IN}	Valid Bit / S1 Bit Input	Input
DTY _{IN} / S2 _{IN}	Dirty Bit / S2 Bit Input	Input
WT _{IN} / S3 _{IN}	Write Through Bit / S3 Bit Input	Input

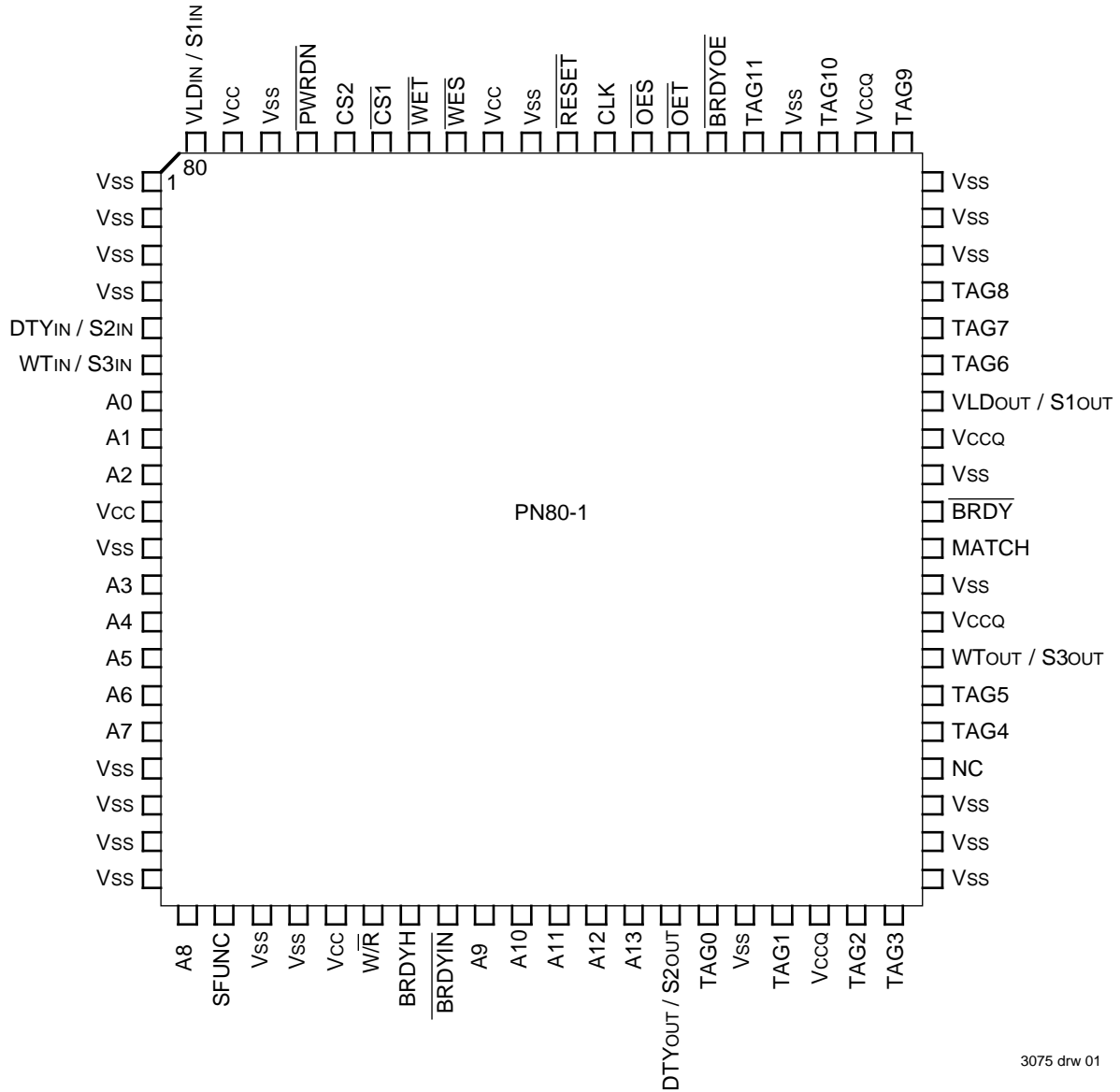
CLK	System Clock	Input
BRDYH	\overline{BRDY} Force High	Input
\overline{BRDYOE}	\overline{BRDY} Output Enable	Input
BRDY _{IN}	Additional \overline{BRDY} Input	Input
\overline{BRDY}	Burst Ready	Output
TAG0 – TAG11	Tag Data Input/Outputs	I/O
VLD _{OUT} / S1 _{OUT}	Valid Bit / S1 Bit Output	Output
DTY _{OUT} / S2 _{OUT}	Dirty Bit / S2 Bit Output	Output
WT _{OUT} / S3 _{OUT}	Write Through Bit / S3 Bit Output	Output
MATCH	Match	Output
VCC	+5V Power	Pwr
VCCQ	Output Buffer Power	QPwr
VSS	Ground	Gnd

The IDT logo is a registered trademark of Integrated Device Technology, Inc.
Pentium is a trademark of Intel Corporation

COMMERCIAL TEMPERATURE RANGE

AUGUST 1996

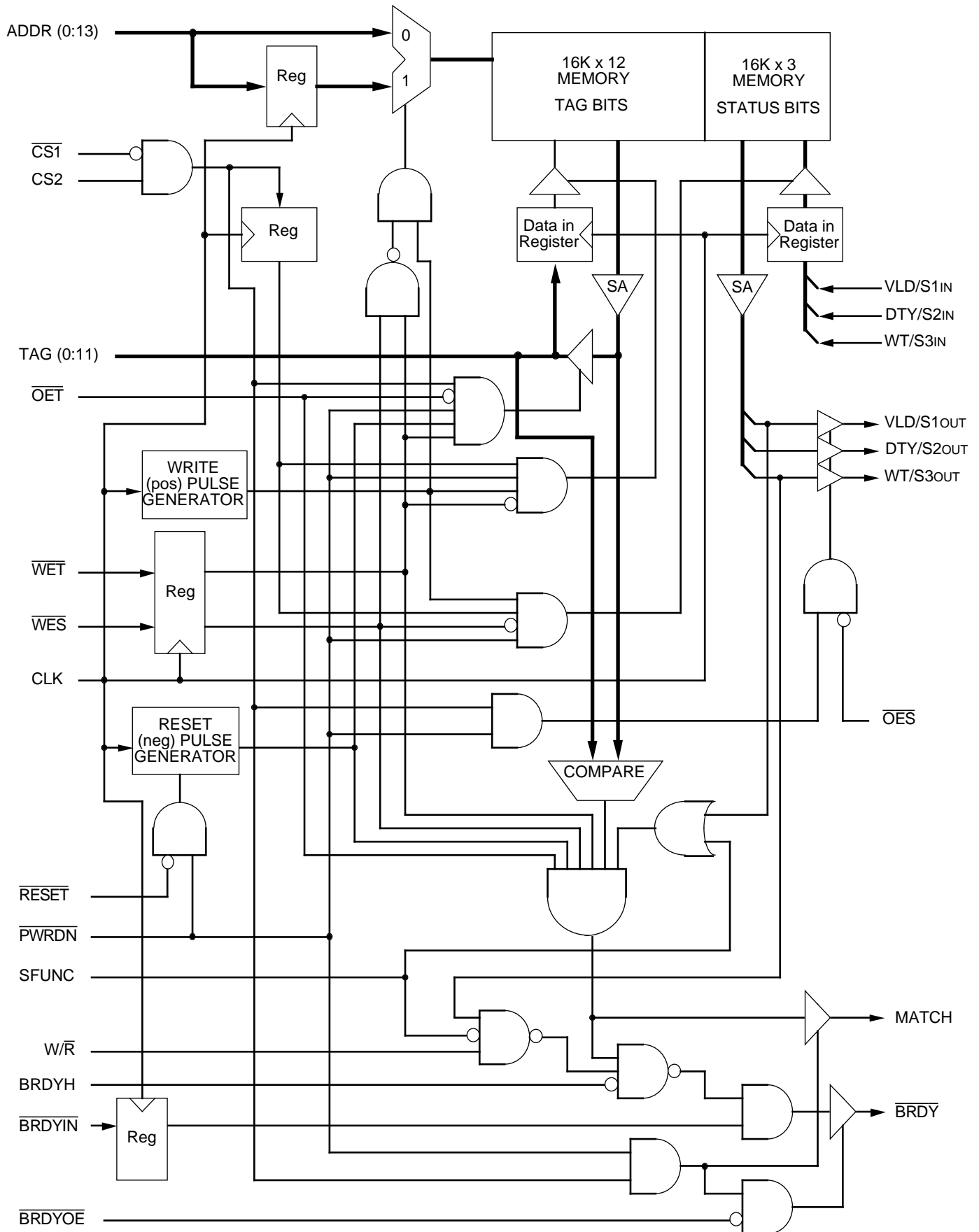
PIN CONFIGURATION



3075 drw 01

**TQFP
TOP VIEW**

FUNCTIONAL BLOCK DIAGRAM



TRUTH TABLES

CHIP SELECT, RESET, AND POWER-DOWN FUNCTIONS^(1, 2)

CS1	CS2	RESET	PWRDN	CLK	WET	WES	BRDYOE	TAG	VLDout	DTYout	WTout	MATCH	BRDY	OPERATION	POWER
-----	-----	-------	-------	-----	-----	-----	--------	-----	--------	--------	-------	-------	------	-----------	-------

CHIP SELECT FUNCTION

H	X	X	H	X	X	X	X	Hi-Z	Hi-Z	Hi-Z	Hi-Z	Hi-Z	Hi-Z	Deselected	Active
X	L	X	H	X	X	X	X	Hi-Z	Hi-Z	Hi-Z	Hi-Z	Hi-Z	Hi-Z	Deselected	Active
L	H	X	H	X	X	X	X	-	-	-	-	-	-	Selected	Active

RESET FUNCTION

L	H	L	H	↑	H	H	L	Hi-Z	L ⁽³⁾	L ⁽³⁾	L ⁽³⁾	L ⁽³⁾	H	Reset Status	Active
L	H	L	H	↑	H	H	H	Hi-Z	L ⁽³⁾	L ⁽³⁾	L ⁽³⁾	L ⁽³⁾	Hi-Z	Reset Status	Active
H	X	L	H	↑	H	H	X	Hi-Z	Hi-Z	Hi-Z	Hi-Z	Hi-Z	Hi-Z	Reset Status	Active
X	L	L	H	↑	H	H	X	Hi-Z	Hi-Z	Hi-Z	Hi-Z	Hi-Z	Hi-Z	Reset Status	Active
X	X	L	H	↑	L	X	X	-	-	-	-	-	-	Not Allowed	-
X	X	L	H	↑	X	L	X	-	-	-	-	-	-	Not Allowed	-

POWER-DOWN FUNCTION

X	X	X	L	X	H	H	X	Hi-Z	Hi-Z	Hi-Z	Hi-Z	Hi-Z	Hi-Z	Power-down	Standby
---	---	---	---	---	---	---	---	------	------	------	------	------	------	------------	---------

NOTES:

- "H" = V_{IH}, "L" = V_{IL}, "X" = don't care, "-" = unrelated.
- \overline{OET} , \overline{OES} , $\overline{W/R}$, \overline{BRDYH} , \overline{BRDYIN} and SFUNC are "X" for this table.
- \overline{OES} is LOW.

3075 tbl 02

READ AND WRITE FUNCTIONS^(1, 2)

\overline{OET}	\overline{OES}	WET	WES	CLK	W/R	TAG	VLDIN	DTYIN	WTIN	VLDout	DTYout	WTout	MATCH	OPERATION
------------------	------------------	-----	-----	-----	-----	-----	-------	-------	------	--------	--------	-------	-------	-----------

READ FUNCTION

L	X	H	X	X	X	DOUT	-	-	-	-	-	-	DOUT	Read TAG I/O
X	L	X	X	X	X	-	-	-	-	DOUT	DOUT	DOUT	DOUT	Read Status Bits
H	X	X	X	X	X	Hi-Z	-	-	-	-	-	-	DOUT	TAG I/O Disable
X	H	X	X	X	X	-	-	-	-	Hi-Z	Hi-Z	Hi-Z	DOUT	Status Disabled

WRITE FUNCTION

H	X	L	X	↑	X	DIN	-	-	-	DOUT	DOUT	DOUT	L	Write TAG I/O
L	X	L	X	↑	X	-	-	-	-	-	-	-	-	Not Allowed
X	L	X	L	↑	X	-	DIN	DIN	DIN	DOUT ⁽³⁾	DOUT ⁽³⁾	DOUT ⁽³⁾	L	Write Status Bits
X	H	X	L	↑	X	-	DIN	DIN	DIN	Hi-Z	Hi-Z	Hi-Z	L	Write Status Bits

NOTES:

- "H" = V_{IH}, "L" = V_{IL}, "X" = don't care, "-" = unrelated.
- This table applies when CS1 is LOW and CS2, RESET, and PWRDN are HIGH. \overline{BRDYOE} , \overline{BRDYH} , \overline{BRDYIN} and SFUNC are "X" for this table.
- Dout in this case is the same as Din; that is, the input data is written through to the outputs during the write operation.

3075 tbl 03

TRUTH TABLES (CONT.)

MATCH FUNCTION^(1, 2, 3)

CS1	CS2	SFUNC	OET	WET	WES	TAG	VLD ⁽⁴⁾	DTY ⁽⁴⁾	WT ⁽⁴⁾	MATCH	OPERATION
H	X	X	X	X	X	Hi-Z	-	-	-	Hi-Z	Deselected
X	L	X	X	X	X	Hi-Z	-	-	-	Hi-Z	Deselected
L	H	X	X	X	X	-	-	-	-	DOUT	Selected
L	H	X	L	H	X	DOUT	-	-	-	L	Read Tag I/O
L	H	X	H	L	X	DIN	-	-	-	L	Write Tag I/O
L	H	X	X	X	L	-	DIN	DIN	DIN	L	Write Status Bits
L	H	L	H	H	H	TAGIN	L	-	-	L	Invalid Data - Dedicated Status Bits
L	H	L	H	H	H	TAGIN	H	-	-	M	Match - Dedicated Status Bits
L	H	H	H	H	H	TAGIN	X	-	-	M	Match - Generic Status Bits

NOTES:

- "H" = V_{IH}, "L" = V_{IL}, "X" = don't care, "-" = unrelated.
- M = HIGH if TAGIN equals the memory contents at that address; M = LOW if TAGIN does not equal the memory contents at that address.
- PWRDN and RESET are HIGH for this table. W/R, BRDYH, BRDYOE, BRDYIN, OES, and CLK are "X".
- This column represents the stored memory cell data for the given Status bit at the selected address.

3075 tbl 04

BRDY FUNCTION^(1, 2, 3, 5)

BRDYOE	BRDYIN ⁽⁶⁾	OET	WET	WES	BRDYH	W/R	SFUNC	VLD ⁽⁴⁾	DTY ⁽⁴⁾	WT ⁽⁴⁾	TAG	MATCH	BRDY	OPERATION
H	X	X	X	X	X	X	X	X	-	X	-	-	Hi-Z	BRDY Disabled
L	L	X	X	X	X	X	X	X	-	X	-	X	L	Ext BRDY Input ⁽⁷⁾
L	H	L	X	X	X	X	X	X	-	X	DOUT	L	H	Read TAG
L	H	X	L	X	X	X	X	X	-	X	DIN	L	H	Write TAG
L	H	X	X	L	X	X	X	DIN	DIN	DIN	-	L	H	Write Status
L	H	X	X	X	H	X	X	X	-	X	-	X	H	Force BRDY HIGH
L	H	X	X	X	X	X	L	L	-	X	-	L	H	Invalid TAG
L	H	X	X	X	X	H	L	X	-	H	-	X	H	Write Through
L	H	H	H	H	L	X	L	H	-	L	TAGIN	M	M	Compare
L	H	H	H	H	L	L	L	H	-	X	TAGIN	M	M	Compare
L	H	H	H	H	L	X	L	H	-	X	TAGIN	M	M	Compare
L	H	H	H	H	L	X	H	X	-	X	TAGIN	M	M	Compare

NOTES:

- "H" = V_{IH}, "L" = V_{IL}, "X" = don't care, "-" = unrelated.
- M = HIGH if TAGIN equals the memory contents at that address; M = LOW if TAGIN does not equal the memory contents at that address.
- PWRDN and RESET are HIGH for this table. CLK and OES are "X".
- This column represents the stored memory cell data for the given Status bit at the selected address.
- CS1 is LOW, CS2 is HIGH for this table.
- BRDYIN is a synchronous input; thus the inputs noted in the table must be applied during a rising CLK edge.
- BRDYIN will be a factor in determining the BRDY output in all cases except when BRDYH is HIGH and there is a valid MATCH. In that case, BRDY will be LOW(Valid).

3075 tbl 05

RECOMMENDED DC OPERATING CONDITIONS

Symbol	Parameter	Min.	Typ.	Max.	Unit
VCC	Supply Voltage	4.75	5.0	5.25	V
VCCQ	5V Output Buffers	4.75	5.0	5.25	V
VCCQ	3.3V Output Buffers	3.0	3.3	3.6	V
VSS	Supply Ground	0	0	0	V
VIH	Input High Voltage	2.2	3.0	VCC+0.3	V
VIHQ	I/O High Voltage	2.2	3.0	VCCQ+0.3	V
VIL	Input Low Voltage	-0.5 ⁽¹⁾	—	0.8	V

NOTE: 3075 tbl 06
1. VIL (min.) = -1.5V for pulse width of less than 10ns, once per cycle.

CAPACITANCE

(TA = +25°C, f = 1.0 MHz)

Symbol	Parameter ⁽¹⁾	Condition	Max.	Unit
CIN	Input Capacitance	VIN = 0V	5	pF
CTAG	TAG Input/Output Capacitance	VIO = 0V	7	pF
COUT	Output Capacitance	VOU = 0V	7	pF

NOTE: 3075 tbl 07
1. This parameter is determined by device characterization but is not production tested.

ABSOLUTE MAXIMUM RATINGS⁽¹⁾

Symbol	Rating	Value	Unit
VTERM	Terminal Voltage with Respect to GND	-0.5 to +7.0 ⁽²⁾	V
TA	Operating Temperature	-0 to +70	°C
TBIAS	Temperature Under Bias	-65 to +135	°C
TSTG	Storage Temperature	-65 to +150	°C
PT	Power Dissipation	1.7	W
IOUT	DC Output Current	20	mA

NOTES: 3075 tbl 08
1. Stresses greater than those listed under ABSOLUTE MAXIMUM RATINGS may cause permanent damage to the device. This is a stress rating only and functional operation of the device at these or any other conditions above those indicated in the operational sections of this specification is not implied. Exposure to absolute maximum rating conditions for extended periods may affect reliability.
2. VIN should not exceed VCC+0.5V. All pins should not exceed 7.0V. VCCQ should never exceed VCC, and VCC should never exceed VCCQ + 4.0V.

DC ELECTRICAL CHARACTERISTICS OVER THE OPERATING TEMPERATURE AND SUPPLY VOLTAGE RANGE

(VCC = 5.0V ± 5%, VCCQ = 5.0V ± 5% OR 3.3V ± 0.3V)

Symbol	Parameter	Test Condition	Min.	Max.	Unit
ILI	Input Leakage Current	VCC = Max., VIN = 0V to VCC	—	5	µA
ILO	Output Leakage Current	CS1 ≥ VIH, CS2 ≤ VIL, OE ≥ VIH, VCC = Max. VOUT = 0V to VCCQ, VCCQ = Max.	—	5	µA
VOL	Output Low Voltage	IOL = 4mA, VCC = Min.	—	0.4	V
VOH	Output High Voltage	IOH = -4mA, VCC = Min.	2.4	—	V

3075 tbl 09

DC ELECTRICAL CHARACTERISTICS OVER THE OPERATING TEMPERATURE AND SUPPLY VOLTAGE RANGE^(1, 2) (VCC = 5.0V ± 5%)

Symbol	Parameter	Test Condition	71215S8		71215S9		71215S10		71215S12		Unit
			Com'l.	Mil.	Com'l.	Mil.	Com'l.	Mil.	Com'l.	Mil.	
ICC	Operating Power Supply Current	PWRDN ≥ VIH Outputs Open, VCC = Max., f = fMAX ⁽³⁾	330	—	300	—	290	—	280	—	mA
ISB	Standby Power Supply Current	PWRDN ≤ VIL, VIN ≥ VIH or ≤ VIL VCC = Max., f = fMAX ⁽³⁾	30	—	30	—	30	—	30	—	mA
ISB1	Full Standby Power Supply Current	PWRDN ≤ VIL, VIN ≥ VHC or ≤ VLC ⁽⁴⁾ VCC = Max., f = 0 ⁽³⁾	25	—	25	—	25	—	25	—	mA

NOTES: 3075 tbl 10
1. All values are maximum guaranteed values.
2. CS1 ≤ VIL, CS2 ≥ VIH.
3. fMAX = 1/tCYC (all address inputs are cycling at fMAX). f = 0 means no address input lines are changing.
4. VHC = VCC - 0.2V, VLC = 0.2V

AC ELECTRICAL CHARACTERISTICS

(V_{CC} = 5.0V ± 5%, V_{CCQ} = 5.0V ± 5% OR 3.3V ± 0.3V, T_A = 0 to 70°C)

Symbol	Parameter	IDT71215S8		IDT71215S9		IDT71215S10		IDT71215S12		Unit
		Min.	Max.	Min.	Max.	Min.	Max.	Min.	Max.	
Read										
tAAT	Address Access Time Tag Bits	—	10	—	11	—	12	—	14	ns
tACST	Chip Select Access Time Tag Bits	—	8	—	9	—	10	—	12	ns
tCLZ ⁽¹⁾	Chip Select to Tag and Status Bits in Low-Z	1	—	1	—	1	—	1	—	ns
tCHZ ⁽¹⁾	Chip Select to Tag and Status Bits in High-Z	1	5	1	6	1	6	1	7	ns
tOET	Output Enable to Tag Bits Valid	—	5	—	6	—	6	—	7	ns
tOTLZ ⁽¹⁾	Output Enable to Tag Bits in Low-Z	0	—	0	—	0	—	0	—	ns
tOTHZ ⁽¹⁾	Output Enable to Tag Bits in High-Z	1	5	1	6	1	6	1	7	ns
tTOH	Tag Bit Hold from Address Change	2	—	2	—	2	—	2	—	ns
tOES	Output Enable to Status Bits Valid	—	5	—	6	—	6	—	7	ns
tOSLZ ⁽¹⁾	Output Enable to Status Bits in Low-Z	0	—	0	—	0	—	0	—	ns
tOSHZ ⁽¹⁾	Output Enable to Status Bits in High-Z	1	5	1	6	1	6	1	7	ns
tAAS	Address Access Time Status Bits	—	8	—	9	—	10	—	12	ns
tACSS	Chip Select Access Time Status Bits	—	6	—	7	—	8	—	10	ns
tSOH	Status Bit Hold from Address Change	2	—	2	—	2	—	2	—	ns

NOTE:

1. This parameter is guaranteed with the AC Load (Figure 3) by device characterization, but is not production tested.

3075 tbl 11

AC ELECTRICAL CHARACTERISTICS ⁽¹⁾

(V_{CC} = 5.0V ± 5%, V_{CCQ} = 5.0V ± 5% OR 3.3V ± 0.3V, T_A = 0 to 70°C)

Symbol	Parameter	IDT71215S8		IDT71215S9		IDT71215S10		IDT71215S12		Unit
		Min.	Max.	Min.	Max.	Min.	Max.	Min.	Max.	
Reset and Power Down Cycles										
tSR	$\overline{\text{RESET}}$ Set-up Time	4	—	4	—	4	—	4	—	ns
tHR	$\overline{\text{RESET}}$ Hold Time	1	—	1	—	1	—	1	—	ns
tSRST	Status Bit Reset Time	—	50	—	60	—	60	—	70	ns
tSHRS	Status Bit Hold from $\overline{\text{RESET}}$ LOW	2	—	2	—	2	—	2	—	ns
tRSMI	$\overline{\text{RESET}}$ LOW to MATCH and BRDY Invalid	—	9	—	10	—	10	—	12	ns
tRSMV	$\overline{\text{RESET}}$ HIGH to MATCH and BRDY Valid	—	110	—	120	—	120	—	130	ns
tRSHZ ⁽²⁾	$\overline{\text{RESET}}$ LOW to TAG High-Z	—	9	—	10	—	10	—	12	ns
tRSLZ ⁽²⁾	$\overline{\text{RESET}}$ HIGH to TAG Low-Z	—	90	—	100	—	100	—	110	ns
tPDSR	$\overline{\text{PWRDN}}$ Set-up to $\overline{\text{RESET}}$ LOW	30	—	30	—	30	—	30	—	ns
tRHPL	$\overline{\text{RESET}}$ HIGH to $\overline{\text{PWRDN}}$ LOW	1	—	1	—	1	—	1	—	CLK
tRHWL	$\overline{\text{RESET}}$ HIGH to $\overline{\text{WET}}$ and $\overline{\text{WES}}$ LOW	90	—	95	—	95	—	105	—	ns
tPD ⁽²⁾	$\overline{\text{PWRDN}}$ LOW to Low Power Mode	—	50	—	50	—	50	—	50	ns
tPU ⁽²⁾	$\overline{\text{PWRDN}}$ HIGH to Active Power Mode	0	—	0	—	0	—	0	—	ns
tPDHZ ⁽²⁾	$\overline{\text{PWRDN}}$ LOW to Outputs in High-Z	—	9	—	10	—	10	—	12	ns
tPDLZ ⁽²⁾	$\overline{\text{PWRDN}}$ HIGH to Outputs in Low-Z	0	—	0	—	0	—	0	—	ns
tPUV	$\overline{\text{PWRDN}}$ HIGH to Outputs Valid	—	50	—	50	—	50	—	50	ns
tWHPL ⁽²⁾	$\overline{\text{WET}}$ and $\overline{\text{WES}}$ HIGH to $\overline{\text{PWRDN}}$ LOW	5	—	5	—	5	—	5	—	ns
tPUWL	$\overline{\text{PWRDN}}$ HIGH to $\overline{\text{WET}}$ and $\overline{\text{WES}}$ Active	50	—	50	—	50	—	50	—	ns

NOTES:

- Power-down mode is intended to be used during extended time periods of device inactivity.
- This parameter is guaranteed with the AC Load (Figure 3) by device characterization, but is not production tested.

3075 tbl 12

AC ELECTRICAL CHARACTERISTICS (1)

(V_{CC} = 5.0V ± 5%, V_{CCQ} = 5.0V ± 5% OR 3.3V ± 0.3V, T_A = 0 to 70°C)

Symbol	Parameter	IDT71215S8		IDT71215S9		IDT71215S10		IDT71215S12		Unit
		Min.	Max.	Min.	Max.	Min.	Max.	Min.	Max.	
Write Cycle and Clock Parameters										
t _{CYC}	Clock Cycle Time	15	—	15	—	15	—	16.6	—	ns
t _{CH} ^(2, 3)	Clock Pulse HIGH	4.5	—	4.5	—	4.5	—	5	—	ns
t _{CL} ^(2, 3)	Clock Pulse LOW	4.5	—	4.5	—	4.5	—	5	—	ns
t _S	\overline{WET} , \overline{WES} , Chip Select, and Input Data Set-up Time	3	—	3	—	3	—	3	—	ns
t _H	\overline{WET} , \overline{WES} , Chip Select, and Input Data Hold Time	1	—	1	—	1	—	1	—	ns
t _{SA}	Address Set-up Time	3	—	3	—	3	—	3	—	ns
t _{HA}	Address Hold Time	1	—	1	—	1	—	1	—	ns
t _{WMI}	CLK HIGH Write to MATCH and BRDY Invalid	—	6	—	7	—	7	—	8	ns
t _{CKLZ} ⁽³⁾	CLK HIGH Read to Outputs in Low-Z	1.5	—	1.5	—	1.5	—	1.5	—	ns
t _{CTV} ⁽⁴⁾	CLK HIGH Read to Tag Bits Valid	—	9	—	10	—	10	—	12	ns
t _{CSV} ⁽⁴⁾	CLK HIGH Write to Status Outputs Valid	—	8	—	9	—	9	—	10	ns
t _{CSH} ⁽³⁾	Status Output Hold from CLK HIGH Write	0	—	0	—	0	—	0	—	ns
t _{WHPL}	\overline{WET} and \overline{WES} HIGH to \overline{PWRDN} LOW	5	—	5	—	5	—	5	—	ns
t _{PUWL}	\overline{PWRDN} HIGH to \overline{WET} and \overline{WES} Active	50	—	50	—	50	—	50	—	ns

NOTES:

1. All Write cycles are synchronous and referenced from rising CLK.
2. This parameter is measured as a HIGH time above 2.0V and a LOW time below 0.8V.
3. This parameter is guaranteed with the AC Load (Figure 3) by device characterization, but is not production tested.
4. Addresses are stable prior to CLK transition HIGH.

3075 tbl 14

AC ELECTRICAL CHARACTERISTICS

(V_{CC} = 5.0V ± 5%, V_{CCQ} = 5.0V ± 5% OR 3.3V ± 0.3V, T_A = 0 to 70°C)

Symbol	Parameter	IDT71215S8		IDT71215S9		IDT71215S10		IDT71215S12		Unit
		Min.	Max.	Min.	Max.	Min.	Max.	Min.	Max.	
MATCH and BRDY Cycles										
tADM	Address to MATCH Valid	—	8	—	9	—	10	—	12	ns
tDAM	Data Input to MATCH Valid	—	8	—	9	—	10	—	12	ns
tCSM	Chip Select to MATCH Valid	—	8	—	9	—	10	—	12	ns
tCMLZ ⁽¹⁾	Chip Select to MATCH in Low-Z	1	—	1	—	1	—	1	—	ns
tCMHZ ⁽¹⁾	Chip Select to MATCH in High-Z	1	5	1	6	1	6	1	7	ns
tMHA	MATCH Valid Hold from Address	2	—	2	—	2	—	2	—	ns
tMHD	MATCH Valid Hold from Data	2	—	2	—	2	—	2	—	ns
tBHA	$\overline{\text{BRDY}}$ Valid Hold from Address	2	—	2	—	2	—	2	—	ns
tBHD	$\overline{\text{BRDY}}$ Valid Hold from Data	2	—	2	—	2	—	2	—	ns
tADB	Address to $\overline{\text{BRDY}}$ Valid	—	9	—	10	—	11	—	13	ns
tDAB	Data Input to $\overline{\text{BRDY}}$ Valid	—	9	—	10	—	11	—	13	ns
tCSB	Chip Select LOW to $\overline{\text{BRDY}}$ Valid	—	9	—	10	—	11	—	13	ns
tOEBV	$\overline{\text{BRDYOE}}$ LOW to $\overline{\text{BRDY}}$ Valid	—	6	—	6	—	7	—	8	ns
tOBLZ ⁽¹⁾	$\overline{\text{BRDYOE}}$ LOW to $\overline{\text{BRDY}}$ in Low-Z	0	—	0	—	0	—	0	—	ns
tOBHZ ⁽¹⁾	$\overline{\text{BRDYOE}}$ HIGH to $\overline{\text{BRDY}}$ in High-Z	1	5	1	6	1	6	1	7	ns
tBYFH	BRDYH HIGH to Force $\overline{\text{BRDY}}$ HIGH	—	5	—	5	—	5	—	6	ns
tBYHV	BRDYH LOW to $\overline{\text{BRDY}}$ Valid	—	5	—	5	—	5	—	6	ns
tSB	$\overline{\text{BRDYIN}}$ Set-up Time	4	—	4	—	4	—	4	—	ns
tHB	$\overline{\text{BRDYIN}}$ Hold Time	1.5	—	1.5	—	1.5	—	1.5	—	ns
tBIBL	CLK HIGH $\overline{\text{BRDYIN}}$ LOW to $\overline{\text{BRDY}}$ LOW	—	6	—	6	—	7	—	8	ns
tBIBV	CLK HIGH $\overline{\text{BRDYIN}}$ HIGH to $\overline{\text{BRDY}}$ Valid	—	6	—	6	—	7	—	8	ns
tOEMI	$\overline{\text{OET}}$ LOW to MATCH and $\overline{\text{BRDY}}$ Invalid	—	6	—	7	—	7	—	8	ns
tOEMV	$\overline{\text{OET}}$ HIGH to MATCH and $\overline{\text{BRDY}}$ Valid	—	7	—	8	—	8	—	10	ns
tWRBH ⁽²⁾	$\overline{\text{W/R}}$ HIGH to $\overline{\text{BRDY}}$ HIGH	—	6	—	7	—	7	—	8	ns
tWRBV ⁽²⁾	$\overline{\text{W/R}}$ LOW to $\overline{\text{BRDY}}$ Valid	—	6	—	7	—	7	—	8	ns
tWMI	CLK HIGH Write to MATCH and $\overline{\text{BRDY}}$ Invalid	—	7	—	7	—	7	—	8	ns
tWMV ⁽³⁾	CLK HIGH Read to MATCH and $\overline{\text{BRDY}}$ Valid	—	8	—	9	—	10	—	12	ns

NOTES:

1. This parameter is guaranteed with the AC Load (Figure 3) by device characterization, but is not production tested.
2. These parameters only apply when SFUNC is LOW and the internal WT bit is HIGH.
3. tADM, tDAM, tCSM and tADB, tDAB, tCSB must also be satisfied.

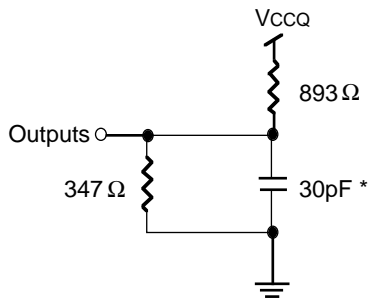
3075 tbl 15

AC TEST CONDITIONS

Input Pulse Levels	GND to 3.0V
Input Rise/Fall Times	3ns
Input Timing Reference Levels	1.5V
Output Timing Reference Levels	1.5V
AC Test Load	See Figs. 1, 2, 3, & 4

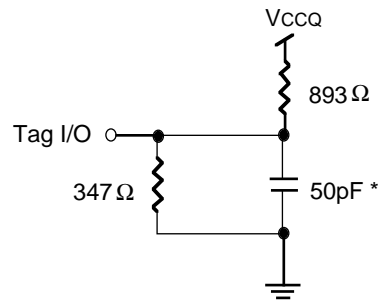
3075 tbl 16

AC TEST LOADS



3075 drw 03

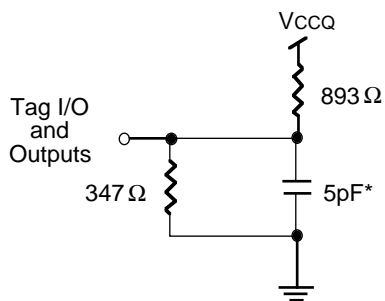
Figure 1. AC Test Load



3075 drw 04

Figure 2. Tag I/O AC Test Load

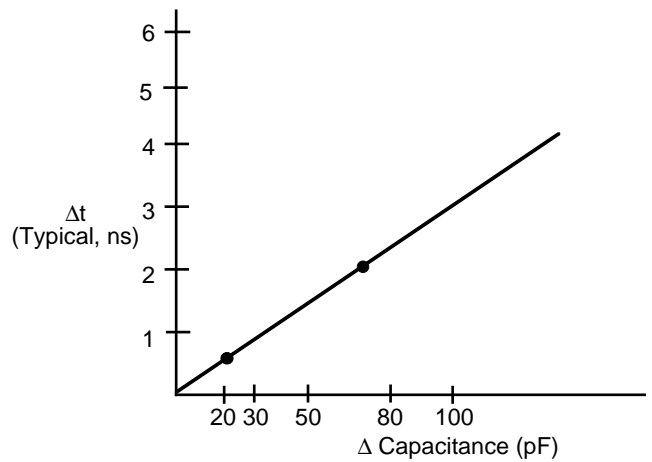
* Including scope and jig capacitance



3075 drw 05

Figure 3. AC Test Load
(for thz and tlz parameters)

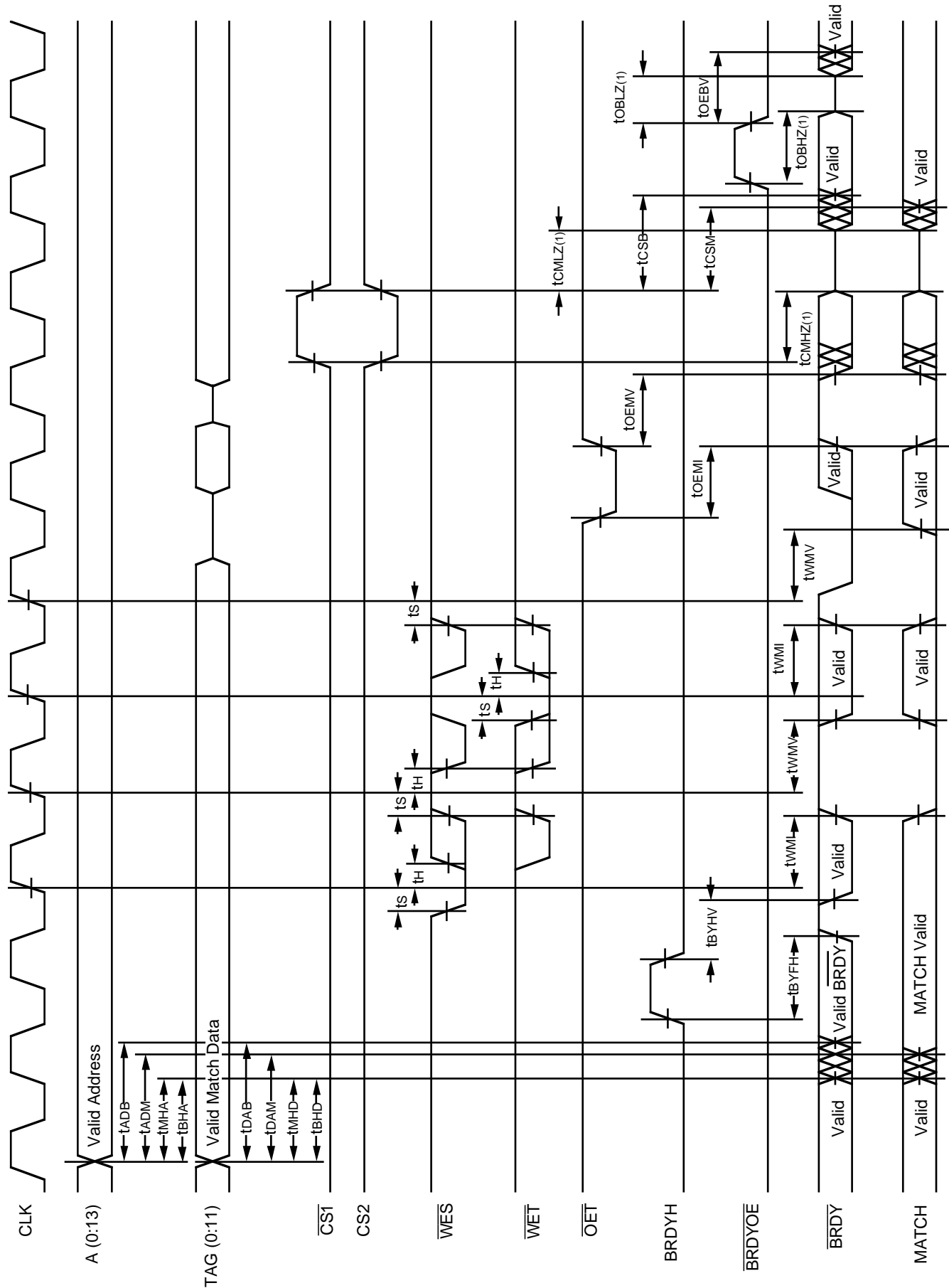
* Including scope and jig capacitance



3075 drw 06

Figure 4. Lumped Capacitance Load, Typical Derating

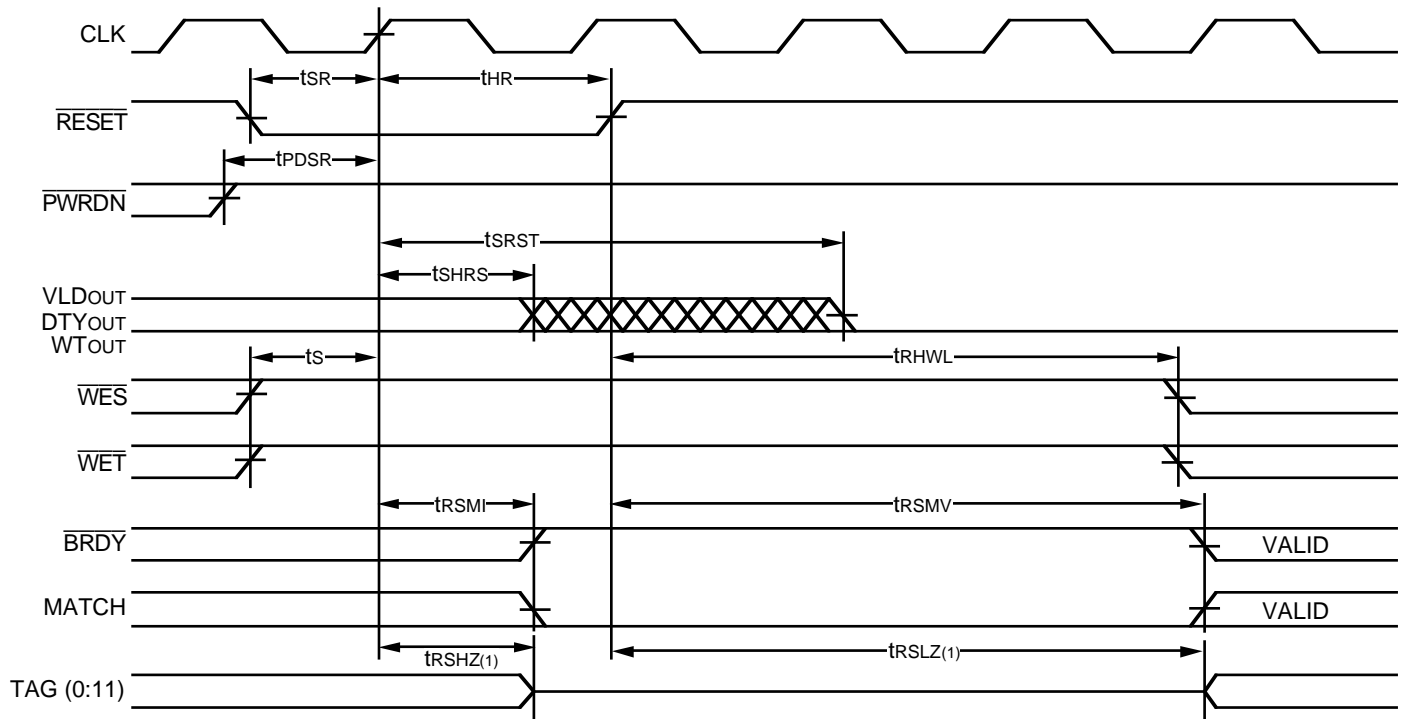
TIMING WAVEFORMS OF MATCH AND BRDY FUNCTIONS



3075 drw 08

NOTE:
 1. Transition is measured $\pm 200\text{mV}$ from steady state.

TIMING WAVEFORMS OF $\overline{\text{RESET}}$ FUNCTION

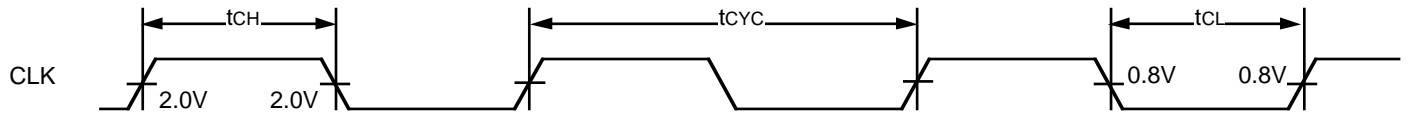


3075 drw 09

NOTE:

1. Transition is measured $\pm 200\text{mV}$ from steady state.

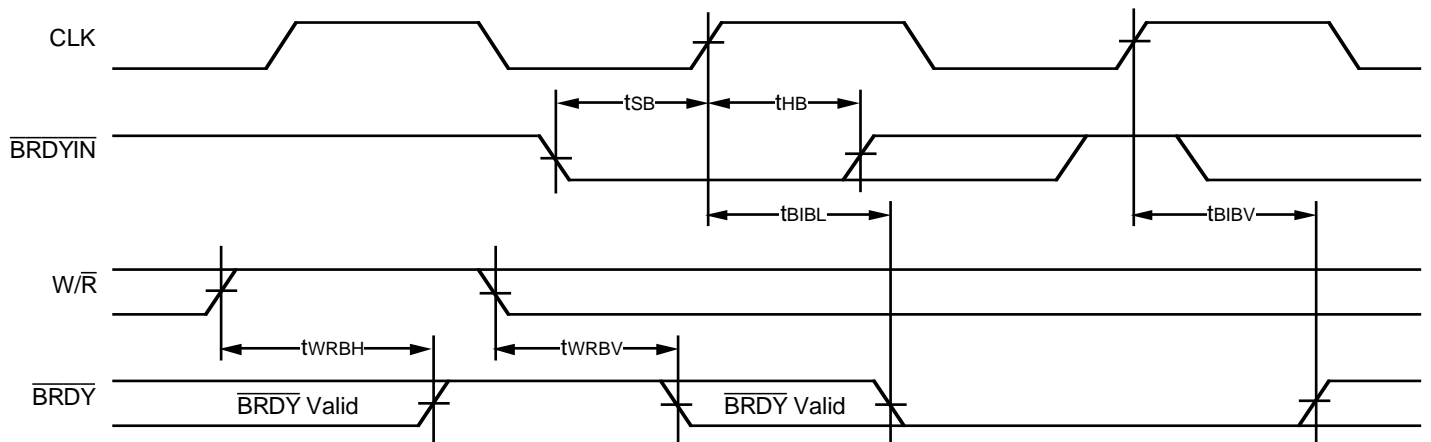
CLOCK TIMING WAVEFORM



3075 drw 10

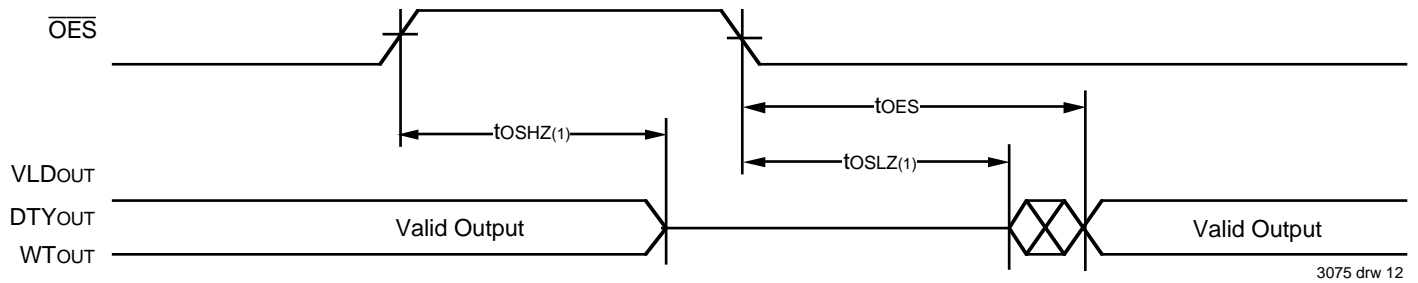
TIMING WAVEFORMS OF $\overline{\text{BRDY}}$ AND $\overline{\text{W/R}}$ SIGNAL

Applies when SFUNC is LOW, and the internal WT bit is HIGH



3075 drw 11

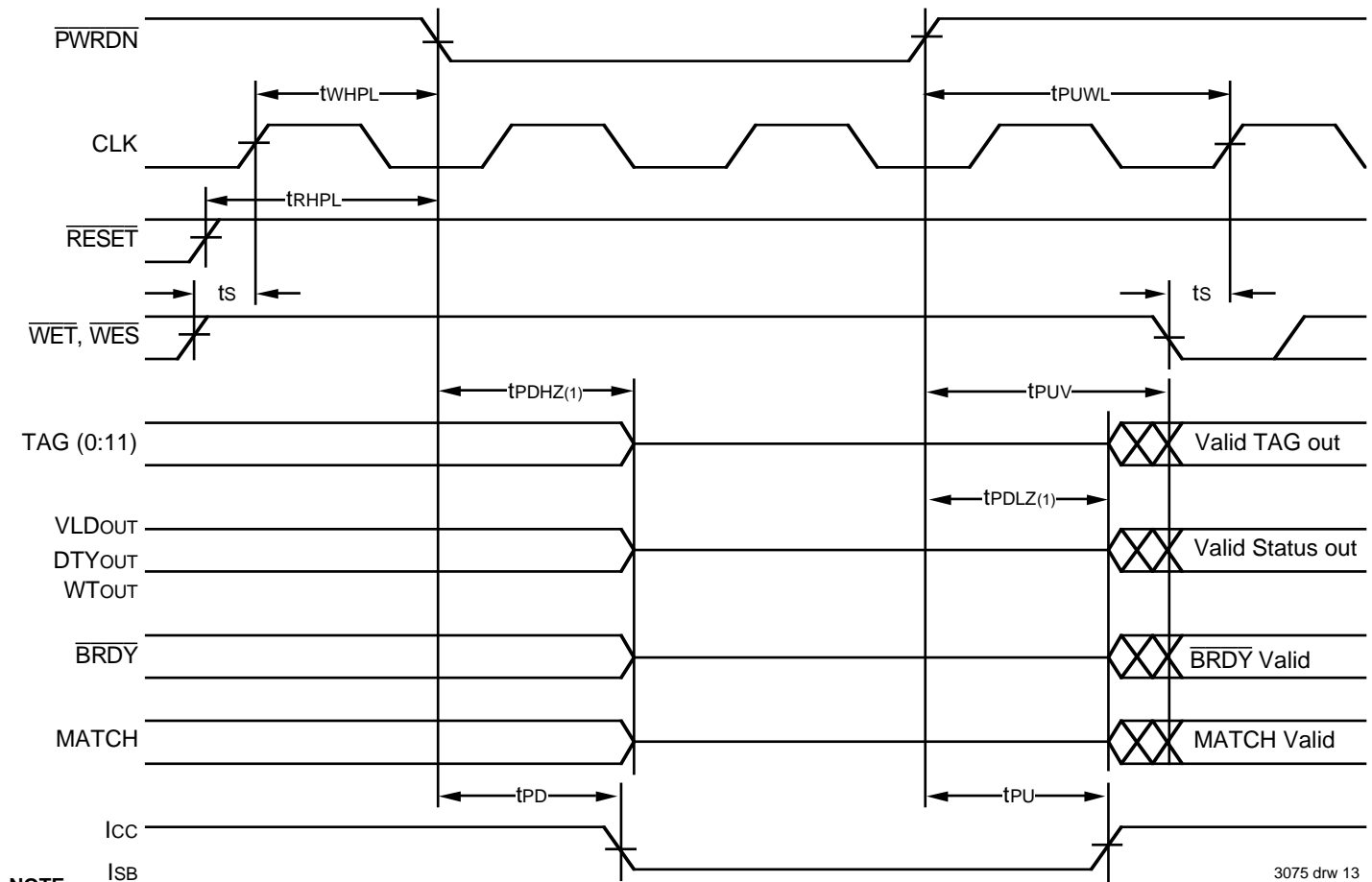
TIMING WAVEFORMS OF $\overline{\text{OES}}$ FUNCTION



NOTE:

1. Transition is measured $\pm 200\text{mV}$ from steady state.

TIMING WAVEFORMS OF POWER DOWN FUNCTION



NOTE:

1. Transition is measured $\pm 200\text{mV}$ from steady state.

ORDERING INFORMATION

IDT	71215	S	XX	PF	
	Device Type	Power	Speed	Package	
				PF	Plastic Thin Quad Flatpack (PN80-1)
				8	} Speed in nanoseconds
				9	
				10	
				12	

3075 drw 14