

FEATURES

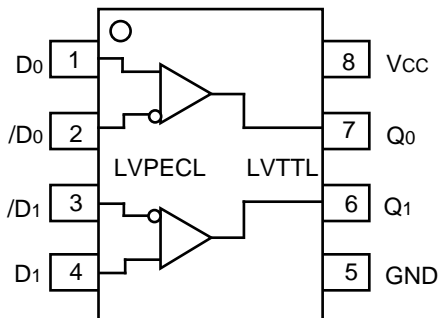
- 3.3V power supply
- 2.0ns typical propagation delay
- <500ps typical output-to-output skew
- Differential LVPECL inputs
- 24mA LVTTL outputs
- Flow-through pinouts
- Available in 8-pin SOIC package

DESCRIPTION

The SY10/100ELT23L are dual differential LVPECL-to-LVTTL translators with +3.3V power supply. Because LVPECL (Low Voltage Positive ECL) levels are used, only +3.3V and ground are required. The small outline 8-lead SOIC package and the low skew, dual gate design of the ELT23L makes it ideal for applications which require the translation of a clock and a data signal.

The ELT23L is available in both ECL standards: the 10ELT is compatible with positive ECL 10H logic levels, while the 100ELT is compatible with positive ECL 100K logic levels.

PIN CONFIGURATION/BLOCK DIAGRAM



PIN NAMES

| Pin | Function |
|----------------|----------------------------|
| Q _n | LVTTL Outputs |
| D _n | Differential LVPECL Inputs |
| Vcc | +3.3V Supply |
| GND | Ground |

ABSOLUTE MAXIMUM RATINGS⁽¹⁾

| Symbol | Parameter | Value | Unit |
|--------------------|---|---------------------------------|------|
| V _{CC} | Power Supply Voltage | -0.5 to +3.8 | V |
| V _I | PECL Input Voltage | 0V to V _{CC} +0.5 | V |
| V _O | Voltage Applied to Output at HIGH State | -0.5 to V _{CC} | V |
| I _O | Current Applied to Output at LOW State | Twice the Rated I _{OL} | mA |
| T _{store} | Storage Temperature | -65 to +150 | °C |
| T _{amb} | Operating Temperature | -40 to +85 | °C |

TRUTH TABLE

| D | \bar{D} | Q |
|------|-----------|---|
| L | H | L |
| H | L | H |
| Open | Open | L |

NOTE:

1. Permanent device damage may occur if ABSOLUTE MAXIMUM RATINGS are exceeded. This is a stress rating only and functional operation is not implied at conditions other than those detailed in the operational sections of this data sheet. Exposure to ABSOLUTE MAXIMUM RATING conditions for extended periods may affect device reliability.

LV TTL DC ELECTRICAL CHARACTERISTICSV_{CC} = +3.3V ±5%

| Symbol | Parameter | T _A = -40°C | | T _A = 0°C | | T _A = +25°C | | T _A = +85°C | | Unit | Condition |
|-----------------|------------------------------|------------------------|------|----------------------|------|------------------------|------|------------------------|------|------|--------------------------|
| | | Min. | Max. | Min. | Max. | Min. | Max. | Min. | Max. | | |
| V _{OH} | Output HIGH Voltage | 2.0 | — | 2.0 | — | 2.0 | — | 2.0 | — | V | I _{OH} = -3.0mA |
| V _{OL} | Output LOW Voltage | — | 0.5 | — | 0.5 | — | 0.5 | — | 0.5 | V | I _{OL} = 24mA |
| I _{CC} | Power Supply Current | — | 30 | — | 30 | — | 30 | — | 30 | mA | |
| I _{OS} | Output Short Circuit Current | -80 | -240 | -80 | -240 | -80 | -240 | -80 | -240 | mA | V _{OUT} = 0V |

LV PECL DC ELECTRICAL CHARACTERISTICSV_{CC} = +3.3V ±5%

| Symbol | Parameter | T _A = -40°C | | | T _A = 0°C | | | T _A = +25°C | | | T _A = +85°C | | | Unit | |
|------------------|---|------------------------|------|-----------------|----------------------|------|-----------------|------------------------|------|-----------------|------------------------|------|-----------------|------|----|
| | | Min. | Typ. | Max. | Min. | Typ. | Max. | Min. | Typ. | Max. | Min. | Typ. | Max. | | |
| I _{IH} | Input HIGH Current | — | — | 150 | — | — | 150 | — | — | 150 | — | — | 150 | μA | |
| I _{IL} | Input LOW Current | 0.5 | — | — | 0.5 | — | — | 0.5 | — | — | 0.5 | — | — | μA | |
| V _{CMR} | Common Mode Range | 1.5 | — | V _{CC} | 1.5 | — | V _{CC} | 1.5 | — | V _{CC} | 1.5 | — | V _{CC} | V | |
| V _{PP} | Minimum Peak-to-Peak Input ⁽¹⁾ | 200 | — | — | 200 | — | — | 200 | — | — | 200 | — | — | mV | |
| V _{IH} | Input HIGH Voltage ⁽²⁾ | 10ELT | 2070 | — | 2410 | 2130 | — | 2460 | 2170 | — | 2490 | 2130 | — | 2565 | mV |
| | | 100ELT | 2135 | — | 2420 | 2135 | — | 2420 | 2135 | — | 2420 | 2135 | — | 2420 | |
| | | | | | | | | | | | | | | | |
| V _{IL} | Input LOW Voltage ⁽²⁾ | 10ELT | 1350 | — | 1800 | 1350 | — | 1820 | 1350 | — | 1820 | 1350 | — | 1820 | mV |
| | | 100ELT | 1490 | — | 1825 | 1490 | — | 1825 | 1490 | — | 1825 | 1490 | — | 1825 | |
| | | | | | | | | | | | | | | | |

NOTES:

1. 200mV input guarantees full logic at output.
2. These values are for V_{CC} = 3.3V. Level Specifications will vary 1:1 with V_{CC}.

AC ELECTRICAL CHARACTERISTICS

VCC = +3.3V ±5%

| Symbol | Parameter | TA = -40°C | | TA = 0°C | | TA = +25°C | | TA = +85°C | | Unit | Condition |
|--------------|--|------------|------|----------|------|------------|------|------------|------|------|-----------|
| | | Min. | Max. | Min. | Max. | Min. | Max. | Min. | Max. | | |
| tPLH tPHL | Propagation Delay | 1.5 | 2.5 | 1.5 | 2.5 | 1.5 | 2.5 | 1.5 | 2.5 | ns | CL = 20pF |
| tskpp | Part-to-Part Skew ^(1,4) | — | 0.5 | — | 0.5 | — | 0.5 | — | 0.5 | ns | CL = 20pF |
| tskew++ | Within-Device Skew ^(2,4) | — | 0.3 | — | 0.3 | — | 0.3 | — | 0.3 | ns | CL = 20pF |
| tskew-- | Within-Device Skew ^(3,4) | — | 0.3 | — | 0.3 | — | 0.3 | — | 0.3 | ns | CL = 20pF |
| tr tf | Output Rise/Fall Time 1.0V to 2.0V | 0.5 | 1.0 | 0.5 | 1.0 | 0.5 | 1.0 | 0.5 | 1.0 | ns | CL = 20pF |
| fMAX | Maximum Input Frequency ^(5,6) | 160 | — | 160 | — | 160 | — | 160 | — | MHz | CL = 20pF |

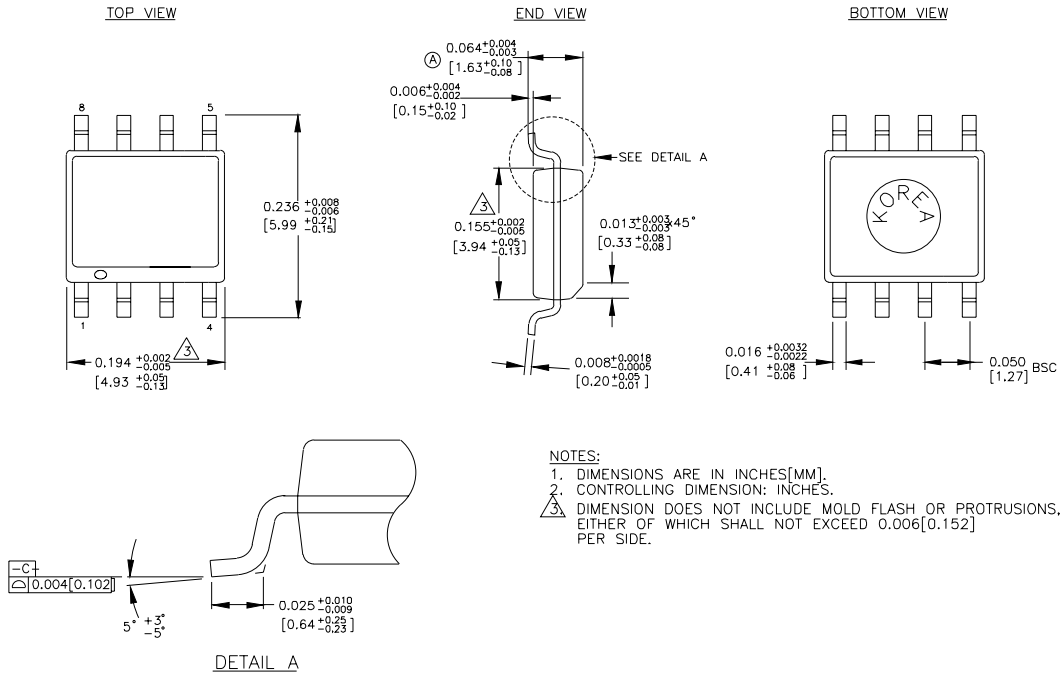
NOTES:

1. Device-to-Device Skew considering HIGH-to-HIGH transitions at common Vcc level.
2. Within-Device Skew considering HIGH-to-HIGH transitions at common Vcc level.
3. Within-Device Skew considering LOW-to-LOW transitions at common Vcc level.
4. All skew parameters are guaranteed but not tested.
5. Frequency at which output levels will meet a 0.8V to 2.0V minimum swing.
6. The fMAX value is specified as the minimum guaranteed maximum frequency. Actual operational maximum frequency may be greater.

PRODUCT ORDERING CODE

| Ordering Code | Package Type | Operating Range | Vcc Range (V) |
|-----------------|--------------|-----------------|---------------|
| SY10ELT23LZC | Z8-1 | Commercial | +3.3 ±5% |
| SY10ELT23LZCTR | Z8-1 | Commercial | +3.3 ±5% |
| SY100ELT23LZC | Z8-1 | Commercial | +3.3 ±5% |
| SY100ELT23LZCTR | Z8-1 | Commercial | +3.3 ±5% |

8 LEAD SOIC .150" WIDE (Z8-1)



Rev. 03

MICREL-SYNERGY 3250 SCOTT BOULEVARD SANTA CLARA CA 95054 USA

TEL + 1 (408) 980-9191 FAX + 1 (408) 914-7878 WEB <http://www.micrel.com>

This information is believed to be accurate and reliable, however no responsibility is assumed by Micrel for its use nor for any infringement of patents or other rights of third parties resulting from its use. No license is granted by implication or otherwise under any patent or patent right of Micrel Inc.

© 2000 Micrel Incorporated