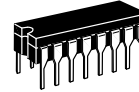


# Quad TTL-to-MECL Translator With TTL Strobe Input

The MC10H124 is a quad translator for interfacing data and control signals between a saturated logic section and the MECL section of digital systems. The 10H part is a functional/pinout duplication of the standard MECL 10K family part, with 100% improvement in propagation delay, and no increase in power-supply current.

- Propagation Delay, 1.5 ns Typical
- Improved Noise Margin 150 mV (Over Operating Voltage and Temperature Range)
- Voltage Compensated
- MECL 10K-Compatible

## MC10H124



**L SUFFIX**  
CERAMIC PACKAGE  
CASE 620-10



**P SUFFIX**  
PLASTIC PACKAGE  
CASE 648-08



**FN SUFFIX**  
PLCC  
CASE 775-02

### MAXIMUM RATINGS

Characteristic	Symbol	Rating	Unit
Power Supply ( $V_{CC} = 5.0\text{ V}$ )	$V_{EE}$	-8.0 to 0	Vdc
Power Supply ( $V_{EE} = -5.2\text{ V}$ )	$V_{CC}$	0 to +7.0	Vdc
Input Voltage ( $V_{CC} = 5.0\text{ V}$ ) TTL	$V_I$	0 to $V_{CC}$	Vdc
Output Current — Continuous	$I_{out}$	50	mA
— Surge		100	
Operating Temperature Range	$T_A$	0 to +75	°C
Storage Temperature Range — Plastic	$T_{stg}$	-55 to +150	°C
— Ceramic		-55 to +165	

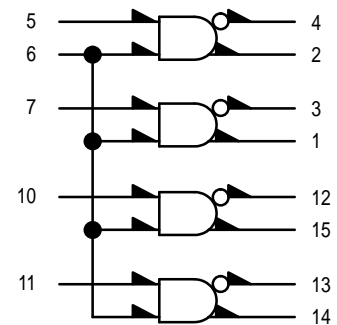
### ELECTRICAL CHARACTERISTICS ( $V_{EE} = -5.2\text{ V} \pm 5\%$ , $V_{CC} = 5.0\text{ V} \pm 5.0\%$ )

Characteristic	Symbol	0°		25°		75°		Unit	
		Min	Max	Min	Max	Min	Max		
Negative Power Supply Drain Current	$I_E$	—	72	—	66	—	72	mA	
Positive Power Supply Drain Current	$I_{CCH}$	—	16	—	16	—	18	mA	
	$I_{CCL}$	—	25	—	25	—	25	mA	
Reverse Current	$I_R$	Pin 6	—	200	—	200	—	200	$\mu\text{A}$
		Pin 7	—	50	—	50	—	50	
Forward Current	$I_F$	Pin 6	—	-12.8	—	-12.8	—	-12.8	mA
		Pin 7	—	-3.2	—	-3.2	—	-3.2	
Input Breakdown Voltage	$V_{(BR)in}$	5.5	—	5.5	—	5.5	—	Vdc	
Input Clamp Voltage	$V_I$	—	-1.5	—	-1.5	—	-1.5	Vdc	
High Output Voltage	$V_{OH}$	-1.02	-0.84	-0.98	-0.81	-0.92	-0.735	Vdc	
Low Output Voltage	$V_{OL}$	-1.95	-1.63	-1.95	-1.63	-1.95	-1.60	Vdc	
High Input Voltage	$V_{IH}$	2.0	—	2.0	—	2.0	—	Vdc	
Low Input Voltage	$V_{IL}$	—	0.8	—	0.8	—	0.8	Vdc	

#### NOTE:

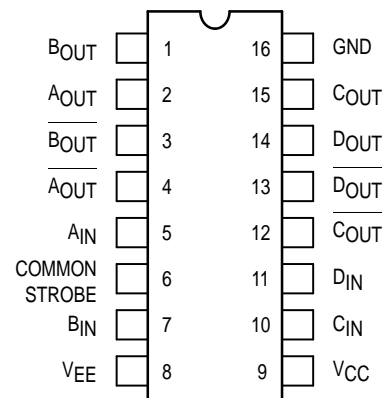
Each MECL 10H series circuit has been designed to meet the dc specifications shown in the test table, after thermal equilibrium has been established. The circuit is in a test socket or mounted on a printed circuit board and transverse air flow greater than 500 lpm is maintained. Outputs are terminated through a 50-ohm resistor to -2.0 volts.

### LOGIC DIAGRAM



GND = PIN 16  
 $V_{CC}$  (+5.0 VDC) = PIN 9  
 $V_{EE}$  (-5.2 VDC) = PIN 8

### DIP PIN ASSIGNMENT



Pin assignment is for Dual-in-Line Package. For PLCC pin assignment, see the Pin Conversion Tables on page 6-36 of the Motorola MECL Data Book (DL122/D).



**ELECTRICAL CHARACTERISTICS** ( $V_{EE} = -5.2 \text{ V} \pm 5\%$ ,  $V_{CC} = 5.0 \text{ V} \pm 5.0\%$ )

Characteristic	Symbol	0°		25°		75°		Unit
		Min	Max	Min	Max	Min	Max	

**AC PARAMETERS**

Propagation Delay	$t_{pd}$	0.55	2.25	0.55	2.4	0.85	2.95	ns
Rise Time	$t_r$	0.5	1.5	0.5	1.6	0.5	1.7	ns
Fall Time	$t_f$	0.5	1.5	0.5	1.6	0.5	1.7	ns

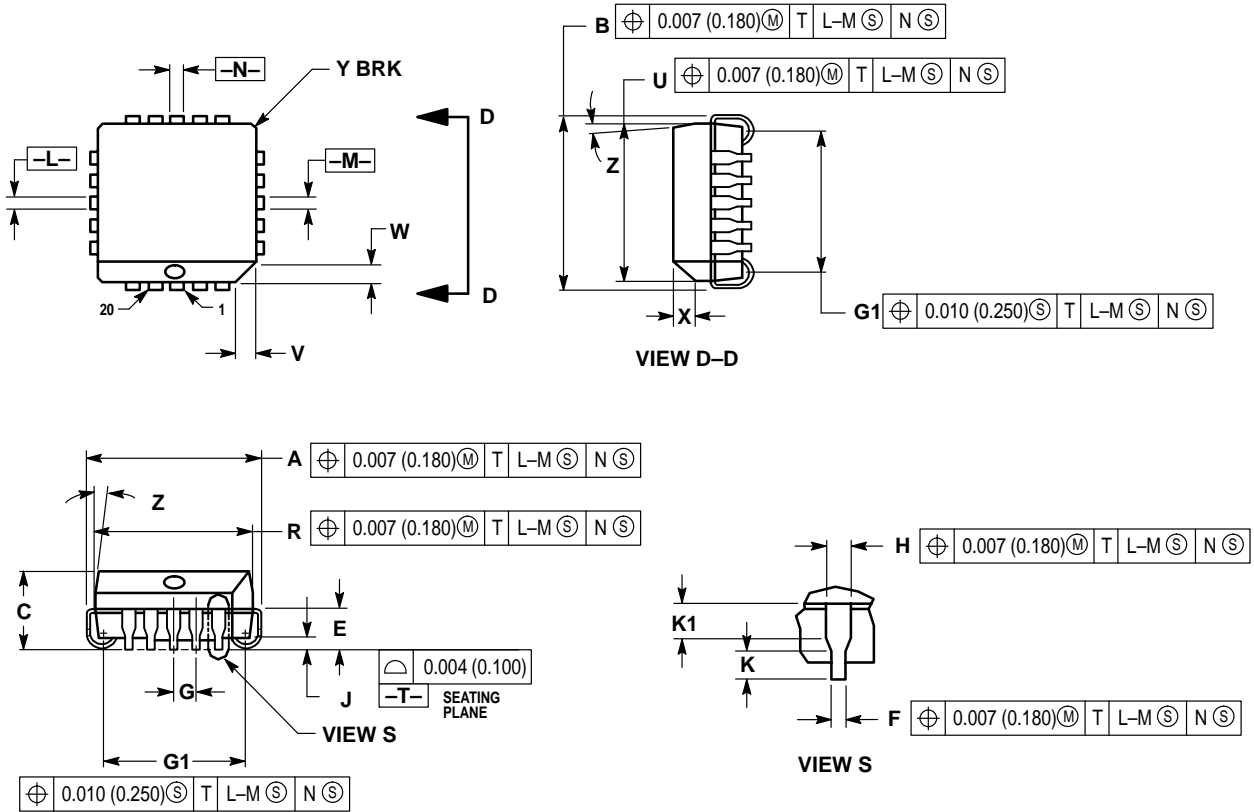
**APPLICATIONS INFORMATION**

The MC10H124 has TTL-compatible inputs and MECL complementary open-emitter outputs that allow use as an inverting/non-inverting translator or as a differential line driver. When the common strobe input is at the low-logic level, it forces all true outputs to a MECL low-logic state and all inverting outputs to a MECL high-logic state.

An advantage of this device is that TTL-level information can be transmitted differentially, via balanced twisted pair lines, to MECL equipment, where the signal can be received by the MC10H115 or MC10H116 differential line receivers. The power supply requirements are ground, +5.0 volts, and -5.2 volts.

OUTLINE DIMENSIONS

FN SUFFIX  
 PLASTIC PLCC PACKAGE  
 CASE 775-02  
 ISSUE C

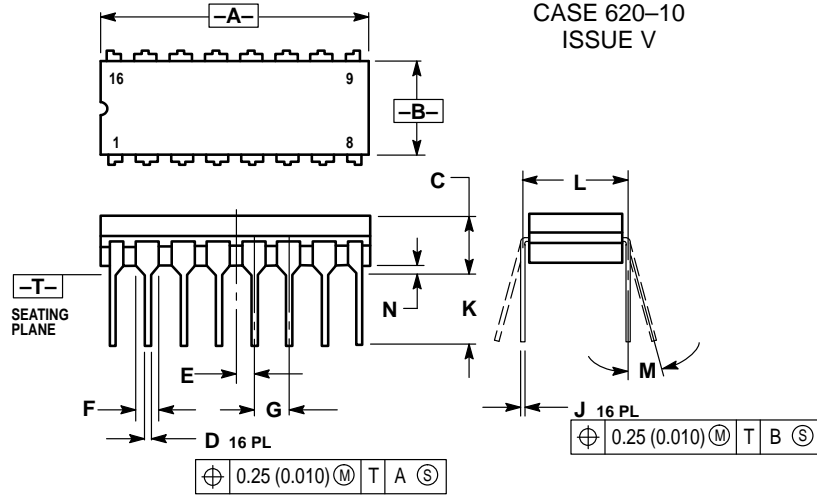


- NOTES:
- DATUMS -L-, -M-, AND -N- DETERMINED WHERE TOP OF LEAD SHOULDER EXITS PLASTIC BODY AT MOLD PARTING LINE.
  - DIMENSION G1, TRUE POSITION TO BE MEASURED AT DATUM -T-, SEATING PLANE.
  - DIMENSIONS R AND U DO NOT INCLUDE MOLD FLASH. ALLOWABLE MOLD FLASH IS 0.010 (0.250) PER SIDE.
  - DIMENSIONING AND TOLERANCING PER ANSI Y14.5M, 1982.
  - CONTROLLING DIMENSION: INCH.
  - THE PACKAGE TOP MAY BE SMALLER THAN THE PACKAGE BOTTOM BY UP TO 0.012 (0.300). DIMENSIONS R AND U ARE DETERMINED AT THE OUTERMOST EXTREMES OF THE PLASTIC BODY EXCLUSIVE OF MOLD FLASH, TIE BAR BURRS, GATE BURRS AND INTERLEAD FLASH, BUT INCLUDING ANY MISMATCH BETWEEN THE TOP AND BOTTOM OF THE PLASTIC BODY.
  - DIMENSION H DOES NOT INCLUDE DAMBAR PROTRUSION OR INTRUSION. THE DAMBAR PROTRUSION(S) SHALL NOT CAUSE THE H DIMENSION TO BE GREATER THAN 0.037 (0.940). THE DAMBAR INTRUSION(S) SHALL NOT CAUSE THE H DIMENSION TO BE SMALLER THAN 0.025 (0.635).

DIM	INCHES		MILLIMETERS	
	MIN	MAX	MIN	MAX
A	0.385	0.395	9.78	10.03
B	0.385	0.395	9.78	10.03
C	0.165	0.180	4.20	4.57
E	0.090	0.110	2.29	2.79
F	0.013	0.019	0.33	0.48
G	0.050 BSC		1.27 BSC	
H	0.026	0.032	0.66	0.81
J	0.020	—	0.51	—
K	0.025	—	0.64	—
R	0.350	0.356	8.89	9.04
U	0.350	0.356	8.89	9.04
V	0.042	0.048	1.07	1.21
W	0.042	0.048	1.07	1.21
X	0.042	0.056	1.07	1.42
Y	—	0.020	—	0.50
Z	2°	10°	2°	10°
G1	0.310	0.330	7.88	8.38
K1	0.040	—	1.02	—

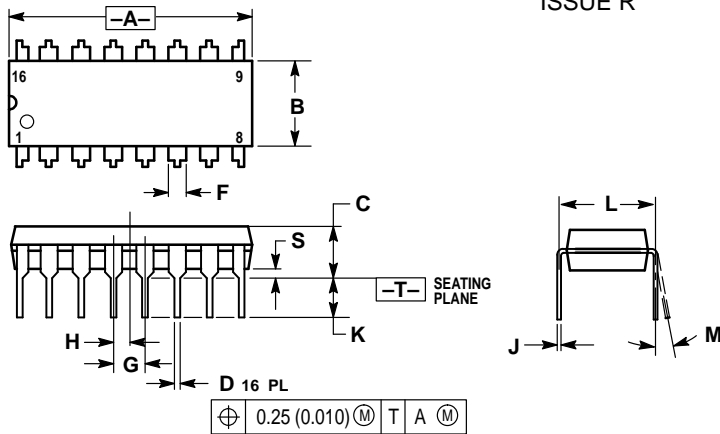
OUTLINE DIMENSIONS

L SUFFIX  
CERAMIC DIP PACKAGE  
CASE 620-10  
ISSUE V



- NOTES:
1. DIMENSIONING AND TOLERANCING PER ANSI Y14.5M, 1982.
  2. CONTROLLING DIMENSION: INCH.
  3. DIMENSION L TO CENTER OF LEAD WHEN FORMED PARALLEL.
  4. DIMENSION F MAY NARROW TO 0.76 (0.030) WHERE THE LEAD ENTERS THE CERAMIC BODY.

P SUFFIX  
PLASTIC DIP PACKAGE  
CASE 648-08  
ISSUE R



- NOTES:
1. DIMENSIONING AND TOLERANCING PER ANSI Y14.5M, 1982.
  2. CONTROLLING DIMENSION: INCH.
  3. DIMENSION L TO CENTER OF LEADS WHEN FORMED PARALLEL.
  4. DIMENSION B DOES NOT INCLUDE MOLD FLASH.
  5. ROUNDED CORNERS OPTIONAL.

Motorola reserves the right to make changes without further notice to any products herein. Motorola makes no warranty, representation or guarantee regarding the suitability of its products for any particular purpose, nor does Motorola assume any liability arising out of the application or use of any product or circuit, and specifically disclaims any and all liability, including without limitation consequential or incidental damages. "Typical" parameters which may be provided in Motorola data sheets and/or specifications can and do vary in different applications and actual performance may vary over time. All operating parameters, including "Typicals" must be validated for each customer application by customer's technical experts. Motorola does not convey any license under its patent rights nor the rights of others. Motorola products are not designed, intended, or authorized for use as components in systems intended for surgical implant into the body, or other applications intended to support or sustain life, or for any other application in which the failure of the Motorola product could create a situation where personal injury or death may occur. Should Buyer purchase or use Motorola products for any such unintended or unauthorized application, Buyer shall indemnify and hold Motorola and its officers, employees, subsidiaries, affiliates, and distributors harmless against all claims, costs, damages, and expenses, and reasonable attorney fees arising out of, directly or indirectly, any claim of personal injury or death associated with such unintended or unauthorized use, even if such claim alleges that Motorola was negligent regarding the design or manufacture of the part. Motorola and are registered trademarks of Motorola, Inc. Motorola, Inc. is an Equal Opportunity/Affirmative Action Employer.

How to reach us:

USA/EUROPE/Locations Not Listed: Motorola Literature Distribution; P.O. Box 20912; Phoenix, Arizona 85036. 1-800-441-2447 or 602-303-5454

MFAX: RMFAX0@email.sps.mot.com – TOUCHTONE 602-244-6609  
INTERNET: <http://Design-NET.com>

JAPAN: Nippon Motorola Ltd.; Tatsumi-SPD-JLDC, 6F Seibu-Butsuryu-Center, 3-14-2 Tatsumi Koto-Ku, Tokyo 135, Japan. 03-81-3521-8315

ASIA/PACIFIC: Motorola Semiconductors H.K. Ltd.; 8B Tai Ping Industrial Park, 51 Ting Kok Road, Tai Po, N.T., Hong Kong. 852-26629298

