



# MK2771-13 VCXO and Set-Top Clock Source

## Description

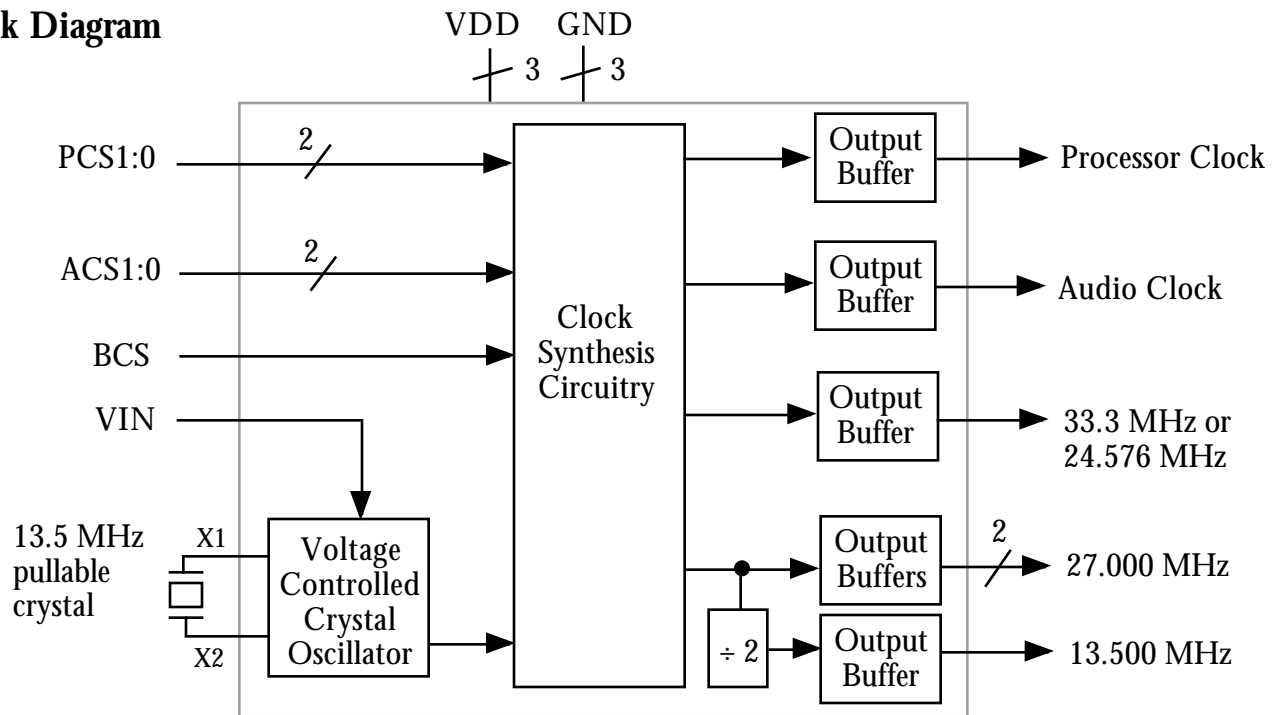
The MK2771-03 is a low cost, low jitter, high performance VCXO and clock synthesizer designed for set-top boxes. The on-chip Voltage Controlled Crystal Oscillator accepts a 0 to 3V input voltage to cause the output clocks to vary by  $\pm 100$  ppm. Using ICS/MicroClock's patented VCXO and analog Phase-Locked Loop (PLL) techniques, the device uses an inexpensive 13.5 MHz crystal input to produce multiple output clocks including a selectable processor clock, a selectable audio clock, a fixed 33.33 MHz or 24.576 MHz, two low skew copies of the 27MHz, and a fixed 13.5 MHz. All clocks are frequency locked to the 27.00MHz output (and to each other) with zero ppm error, so any output can be used as the VCXO output.

This chip directly replaces the MK2771-03 when a 13.5 MHz input crystal is substituted for the 14.31818 MHz used on the -03. Additionally, the -13 adds 25 MHz to the processor clock selection, and 24.576 MHz on the BCLK.

## Features

- Packaged in 20 pin SOIC
- Pin for pin and functional upgrade to MK2771-03
- Ideal for systems using Oak's MPEG decoders
- On-chip patented VCXO with pull range of 200ppm
- VCXO tuning voltage of 0 to 3V
- Processor frequency of 16.67 MHz, 20 MHz, 25 MHz, 32 MHz, 40 MHz, or 50 MHz
- Audio clocks of 8.192, 11.2896, and 12.288 MHz
- Zero ppm synthesis error in all clocks (all exactly track 27MHz VCXO) - patented
- Uses an inexpensive 13.5 MHz crystal
- 25mA output drive capability at TTL levels
- Advanced, low power, sub-micron CMOS process
- 5V operating voltage

## Block Diagram





# MK2771-13 VCXO and Set-Top Clock Source

## Pin Assignment

PCS0	□	1	20	□	ACS1
X2	□	2	19	□	ACS0
X1	□	3	18	□	BCS
VDD	□	4	17	□	GND
VIN	□	5	16	□	27M
VDD	□	6	15	□	VDD
GND	□	7	14	□	GND
PCLK	□	8	13	□	27M
BCLK	□	9	12	□	PCS1
ACLK	□	10	11	□	13.5M

## Processor Clock Select Table

PCS1	PCS0	PCLK (MHz)
0	0	50.000
0	1	16.667
M	0	25.000
M	1	32.000
1	0	40.000
1	1	20.000

0 = connect directly to ground, 1 = connect directly to VDD, M = leave floating or unconnected

## Audio Clock Table

ACS1	ACS0	ACLK (MHz)
0	0	8.192
0	1	11.2896
1	0	12.288
1	1	5.6448

## Bus Clock Table

BCS	BCLK (MHz)
0	33.333
1	24.576

## Pin Descriptions

Number	Name	Type	Description
1	PCS0	I	Processor Clock Select 0. Selects PCLK on pin 8. See table above.
2	X2	XO	Crystal connection. Connect to a pullable 13.5 MHz crystal.
3	X1	XI	Crystal connection. Connect to a pullable 13.5 MHz crystal.
4, 6, 15	VDD	P	Connect to +5V.
5	VIN	I	Voltage Input to VCXO. Zero to 3V signal which controls the frequency of the VCXO.
7, 14, 17	GND	P	Connect to ground.
8	PCLK	O	Processor clock output determined by status of PCS1,0. See table above.
9	BCLK	O	33.33MHz or 24.576 MHz Bus Clock output. See table above.
10	ACLK	O	Audio clock output determined by status of ACS1,0. See table above.
11	13.5M	O	13.5 MHz clock output. Divide by two of the 27MHz VCXO output.
12	PCS1	TI	Processor Clock Select 1. Selects PCLK on pin 8. See table above.
13	27M	O	27.00 MHz VCXO clock output.
16	27M	O	27.00 MHz VCXO clock output.
18	BCS	P	Bus Clock Select . Selects BCLK on pin 9. See table above.
19	ACS0	I	Audio Clock Select 0. Selects ACLK on pin 10. See table above.
20	ACS1	I	Audio Clock Select 1. Selects ACLK on pin 10. See table above.

Key: I = Input, TI = Tri-level input, O = output, P = power supply connection



# MK2771-13 VCXO and Set-Top Clock Source

## Electrical Specifications

Parameter	Conditions	Minimum	Typical	Maximum	Units
<b>ABSOLUTE MAXIMUM RATINGS (note 1)</b>					
Supply voltage, VDD	Referenced to GND			7	V
Inputs and Clock Outputs	Referenced to GND	-0.5		VDD+0.5	V
Ambient Operating Temperature		0		70	°C
Soldering Temperature	Max of 10 seconds			260	°C
Storage temperature		-65		150	°C
<b>DC CHARACTERISTICS (VDD = 5.0V unless noted)</b>					
Operating Voltage, VDD		4.75		5.25	V
Input High Voltage, VIH, X1 pin only		3.5	2.5		V
Input Low Voltage, VIL, X1 pin only			2.5	1.5	V
Input High Voltage, VIH (except PCS1)		2			V
Input Low Voltage, VIL (except PCS1)				0.8	V
Input High Voltage, VIH, PCS1 only		VDD-0.5			V
Input Low Voltage, VIL, PCS1 only				0.5	V
Output High Voltage, VOH	IOH=-25mA	2.4			V
Output Low Voltage, VOL	IOL=25mA			0.4	V
Output High Voltage, VOH, CMOS level	IOH=-8mA	VDD-0.4			V
Operating Supply Current, IDD	No Load, note 2		60		mA
Short Circuit Current	Each output		±100		mA
Input Capacitance			7		pF
Frequency synthesis error	All clocks			0	ppm
VIN, VCXO control voltage		0		3	V
<b>AC CHARACTERISTICS (VDD = 5.0V unless noted)</b>					
Input Frequency			13.500000		MHz
Output Clock Rise Time	0.8 to 2.0V			1.5	ns
Output Clock Fall Time	2.0 to 0.8V			1.5	ns
Output Clock Duty Cycle	At 1.4V	40		60	%
Maximum Absolute Jitter, short term			200		ps
Skew of 27 MHz outputs	Rising edges at 1.4V	-500	0	500	ps
27 MHz output pullability, note 3	0V VIN 3V		±100		ppm

Notes: 1. Stresses beyond those listed under Absolute Maximum Ratings could cause permanent damage to the device. Prolonged exposure to levels above the operating limits but below the Absolute Maximums may affect device reliability.

2. With PCLK at 50 MHz.

3. With a pullable crystal that conforms to ICS' specifications

## External Components

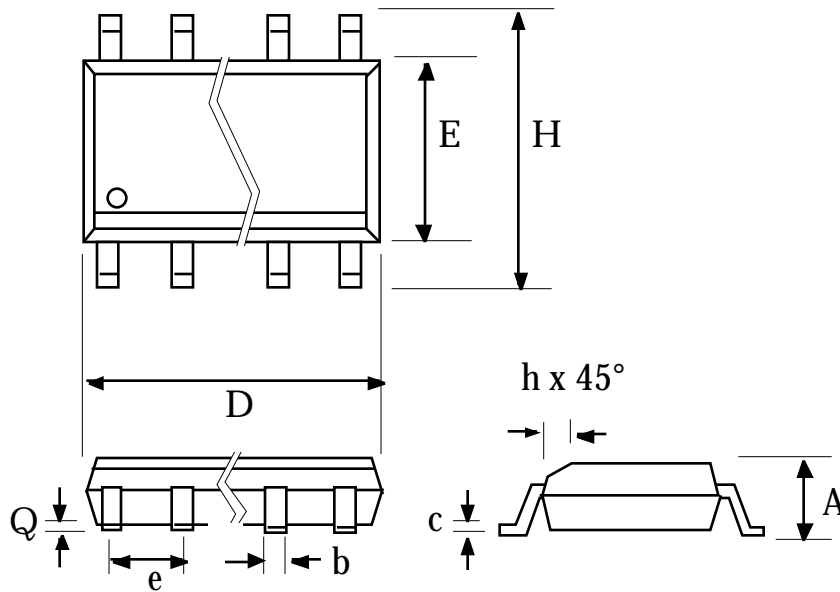
The MK2771-13 requires a minimum number of external components for proper operation. Decoupling capacitors of 0.1µF should be connected between VDD and GND on pins 4 and 7, 6 and 7, and 15 and 14, as close to the MK2771-13 as possible. A series termination resistor of 33 Ω may be used for each clock output. The 13.500 MHz crystal must be connected as close to the chip as possible. The crystal should be a parallel mode, pullable, with load capacitance of 14pF. Consult MicroClock for recommended suppliers. See MAN05 for recommended layout of the chip and external components.



# MK2771-13 VCXO and Set-Top Clock Source

## Package Outline and Package Dimensions

### 20 pin SOIC



Symbol	Inches		Millimeters	
	Min	Max	Min	Max
A	0.092	0.104	2.3368	2.6416
b	0.014	0.019	0.356	0.483
c	0.009	0.012	0.229	0.305
D	0.490	0.512	12.446	13.005
E	0.290	0.300	7.366	7.620
H	0.394	0.419	10.008	10.643
e	.050 BSC		1.27 BSC	
h		0.016		0.406
Q	0.003	0.011	0.076	0.279

## Ordering Information

Part/Order Number	Marking	Shipping packaging	Package	Temperature
MK2771-13S	MK2771-13S	tubes	20 pin SOIC	0-70°C
MK2771-13STR	MK2771-13S	tape and reel	20 pin SOIC	0-70°C

While the information presented herein has been checked for both accuracy and reliability, Integrated Circuit Systems (ICS) assumes no responsibility for either its use or for the infringement of any patents or other rights of third parties, which would result from its use. No other circuits, patents, or licenses are implied. This product is intended for use in normal commercial applications. Any other applications such as those requiring extended temperature range, high reliability, or other extraordinary environmental requirements are not recommended without additional processing by ICS. ICS reserves the right to change any circuitry or specifications without notice. ICS does not authorize or warrant any ICS product for use in life support devices or critical medical instruments.