

37-40GHz High Power Amplifier

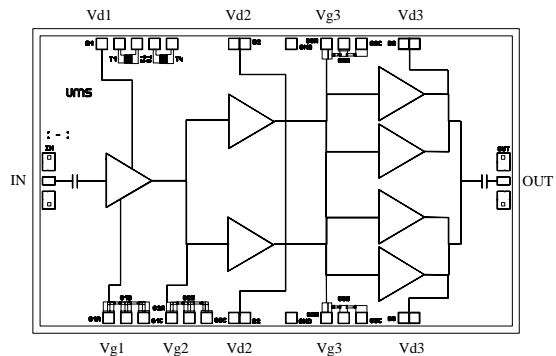
GaAs Monolithic Microwave IC

Target

Description

The CHA5297 is a three-stage monolithic high power amplifier. It is designed for a wide range of applications, from military to commercial communication systems. The backside of the chip is both RF and DC grounds. This helps simplify the assembly process.

The circuit is manufactured with a PM-HEMT process, 0.15µm gate length, via holes through the substrate, air bridges and electron beam gate lithography. It is available in chip form.



Main Features

- Performances : 37-40GHz
- 28dBm output power @ 1dB comp. gain
- 10 dB ± 1dB gain
- DC power consumption, 1.6A @ 3.5V
- Chip size : 4.16 x 2.6 x 0.05 mm

Main Characteristics

Tamb. = 25°C

Symbol	Parameter	Min	Typ	Max	Unit
Fop	Operating frequency range	37		40	GHz
G	Small signal gain		10		dB
P1dB	Output power at 1dB gain compression		28		dBm
Id	Bias current		1.6		A

ESD Protection : Electrostatic discharge sensitive device. Observe handling precautions !

Electrical Characteristics

Tamb = +25°C, Vd = 3.5V Id = 1.6A

Target

Symbol	Parameter	Min	Typ	Max	Unit
Fop	Operating frequency range (1)	37		40	GHz
G	Small signal gain (1)		10		dB
ΔG	Small signal gain flatness (1)		± 1		dB
Is	Reverse isolation		40		dB
P1dB	Pulsed output power at 1dB compression (1)		28		dBm
P03	Output power at 3dB gain compression (1)		29		dBm
VSWRin	Input VSWR (2)			3:1	
VSWRout	Output VSWR (2)			3.5:1	
Tj	Junction temperature for 80°C backside		152		°C
Id	Bias current @ small signal		1.6	2	A

(1) These values are representative for pulsed on-wafer measurements that are made without bonding wires at the RF ports.

(2) Value representative for CW on jig measurement.

Absolute Maximum Ratings

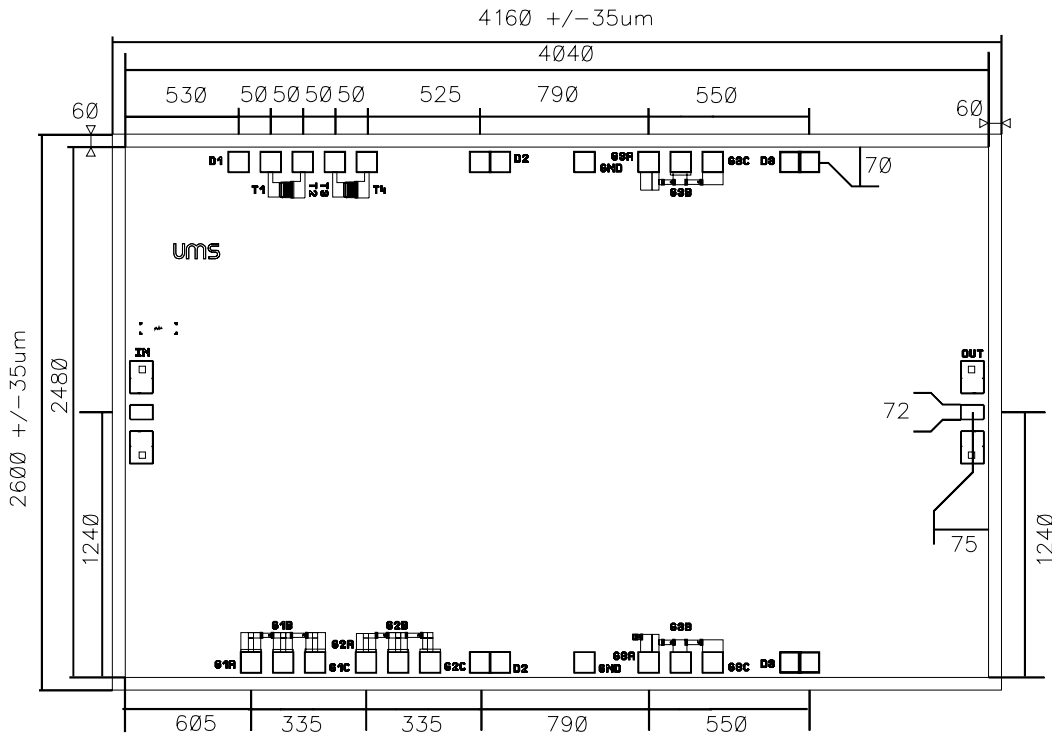
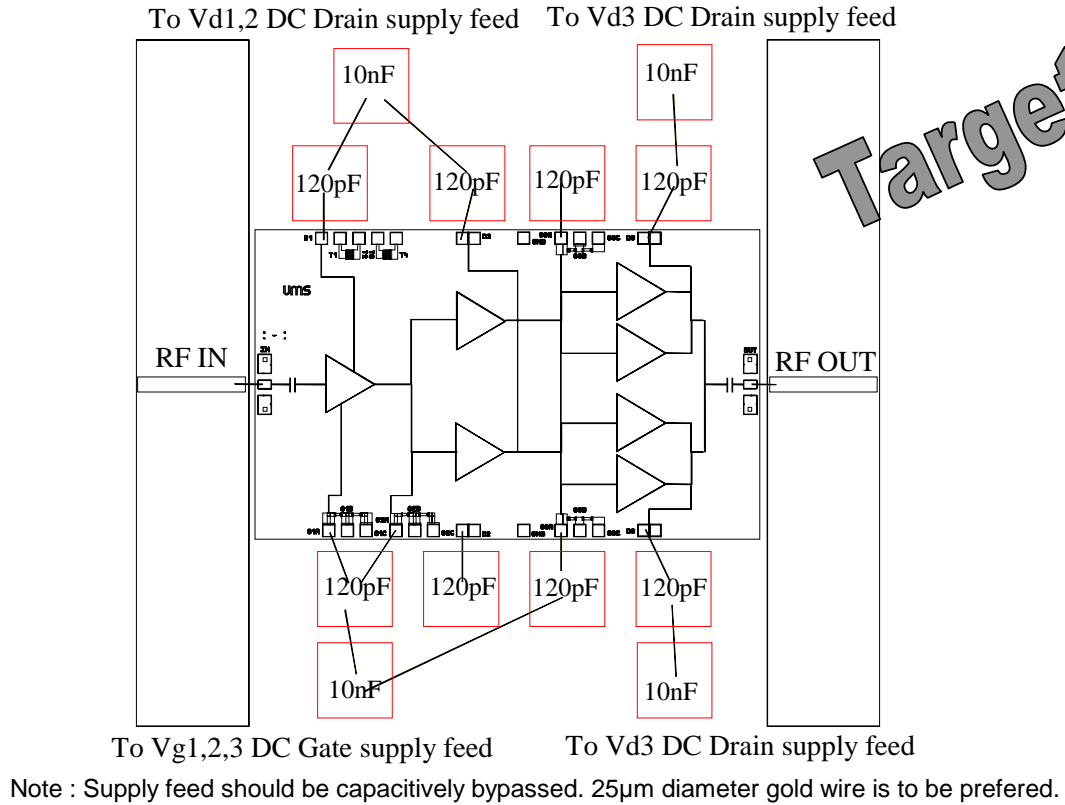
Tamb. = 25°C (1)

Symbol	Parameter	Values	Unit
Vd	Maximum drain bias voltage with Pin max=18dBm	+4.0	V
Id	Maximum drain bias current	2.2	A
Vg	Gate bias voltage	-2 to +0.4	V
Ig	Gate bias current	-5.5 to +5.5	mA
Vdg	Maximum drain to gate voltage (Vd - Vg)	+6.0	V
Pin	Maximum input power overdrive (2)	+22	dBm
Tch	Maximum channel temperature	+175	°C
Ta	Operating temperature range	-40 to +80	°C
Tstg	Storage temperature range	-55 to +125	°C

(1) Operation of this device above any one of these parameters may cause permanent damage.

(2) Duration < 1s.

Chip Assembly and Mechanical Data



Bonding pad positions.

(Chip thickness : 50µm. All dimensions are in micrometers)

Target

Application note

Bias operation sequence:

ON: Supply Gate voltage
Supply Drain voltage
OFF: Cut off Drain voltage
Cut off Gate voltage

Due to 50µm thickness, specific care is requested for the handling and assembly.

Ordering Information

Chip form : CHA5297-99F/00

Information furnished is believed to be accurate and reliable. However **United Monolithic Semiconductors S.A.S.** assumes no responsibility for the consequences of use of such information nor for any infringement of patents or other rights of third parties which may result from its use. No license is granted by implication or otherwise under any patent or patent rights of **United Monolithic Semiconductors S.A.S.**. Specifications mentioned in this publication are subject to change without notice. This publication supersedes and replaces all information previously supplied. **United Monolithic Semiconductors S.A.S.** products are not authorised for use as critical components in life support devices or systems without express written approval from **United Monolithic Semiconductors S.A.S.**