

35-40GHz Low Noise, Variable Gain Amplifier

GaAs Monolithic Microwave IC

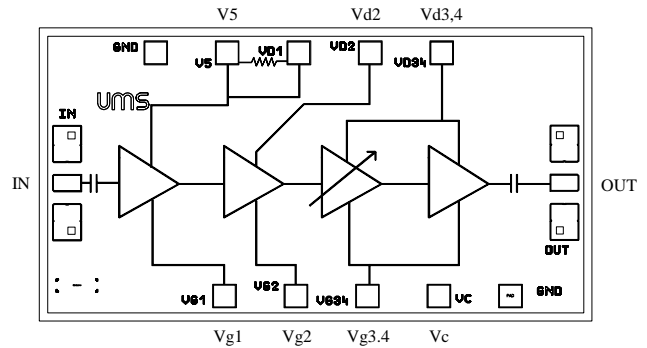
preliminary

Description

The CHA2294 is a high gain four-stage monolithic low noise amplifier with variable gain. It is designed for a wide range of applications, from military to commercial communication systems. The backside of the chip is both RF and DC grounded. This helps simplify the assembly process.

The circuit is manufactured with a PM-HEMT process, 0.25µm gate length, via holes through the substrate, air bridges and electron beam gate lithography.

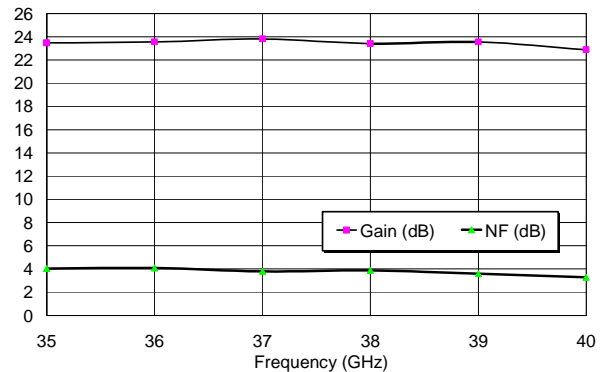
It is available in chip form.



Main Features

- Frequency range : 35-40GHz
- 4.0dB Noise Figure.
- 22dB gain
- Gain control range: 15dB
- Low DC power consumption, 120mA @ 5V
- Chip size : 2.32 X 1.235 X 0.10 mm

Typical on wafer measurements : Gain & NF



Main Characteristics

Tamb. = 25°C

	Parameter	Min	Typ	Max	Unit
Fop	Operating frequency range	35		40	GHz
G	Small signal gain		22		dB
NF	Noise figure		4		dB
Gctrl	Gain control range with Vc variation		15		dB
Id	Bias current		120		mA

ESD Protection : Electrostatic discharge sensitive device. Observe handling precautions !

Electrical Characteristics for Broadband Operation

Tamb = +25°C, V5=Vd2=Vd,3,4= 5V

preliminary

Symbol	Parameter	Min	Typ	Max	Unit
Fop	Operating frequency range	35		40	GHz
G	Small signal gain (1)		22		dB
ΔG	Small signal gain flatness (1)		±1.0		dB
Is	Reverse isolation (1)		50		dB
NF	Noise figure with Vc=1.2V		4		dB
Gctrl	Gain control range versus Vc		15		dB
P1dB	Output power at 1dB compression with Vc=1.2V		11		dBm
VSWRin	Input VSWR (1)			2.0:1	
VSWRout	Output VSWR (1)			1.5:1	
Vd	DC voltage V5= Vd2=Vd3,4 Vc	-1.5	5 [-0.7, 1.2]	1.3	V V
Id1	Bias current (2) with Vc=1.2V		20		mA
Id	Bias current total (3) with Vc=1.2V		120		mA

(1) These values are representative of on-wafer measurements that are made without bonding wires at RF ports.

(2) For optimum noise figure, the bias current Id1 should be adjust to 20mA with Vg1 voltage.

(3) With Id1=20mA, adjust Vg2,3,4 voltage for a total drain current around 120mA.

Absolute Maximum Ratings

Tamb. = 25°C (1)

Symbol	Parameter	Values	Unit
Vd	Maximum Drain bias voltage	+5.25	V
Id	Maximum drain bias current	200	mA
Vg	Gate bias voltage	-2.5 to +0.4	V
Vc	Maximum Control bias voltage	+1.5	V
Vdg	Maximum drain to gate voltage (Vd - Vg)	+5.0	V
Pin	Maximum input power overdrive (2)	+15	dBm
Tch	Maximum channel temperature	+175	°C
Ta	Operating temperature range	-40 to +85	°C
Tstg	Storage temperature range	-55 to +125	°C

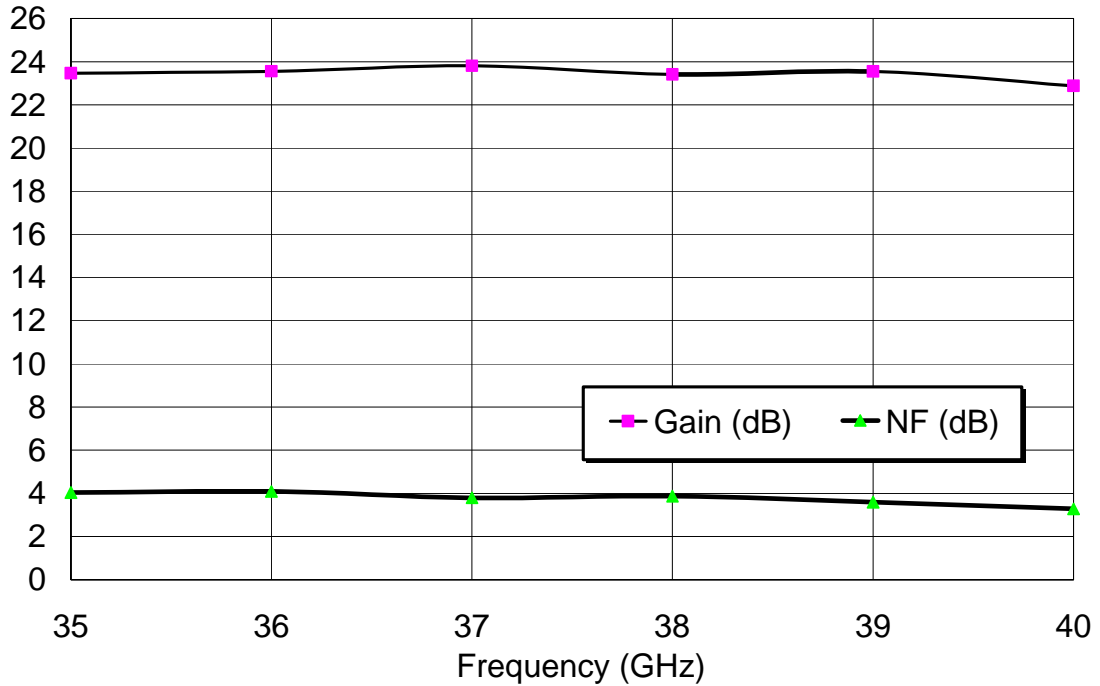
(1) Operation of this device above anyone of these parameters may cause permanent damage.

(2) Duration < 1s.

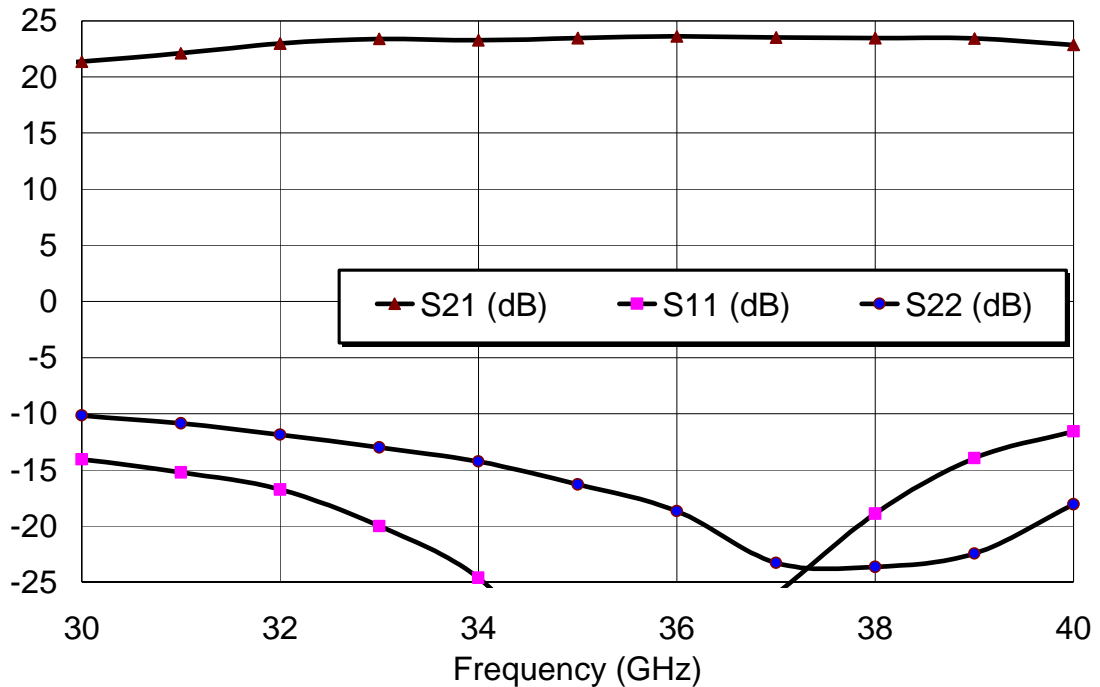
preliminary

Typical on wafer Measurements

Bias Conditions : $V_5=V_{d2}=V_{d3,4}= 5$ Volt, V_{g1} for $I_{d1}= 20$ mA, $V_{g2}=V_{g3,4} = -0.3$ V, $V_c=1.2$ V



Gain & Noise Figure versus frequency

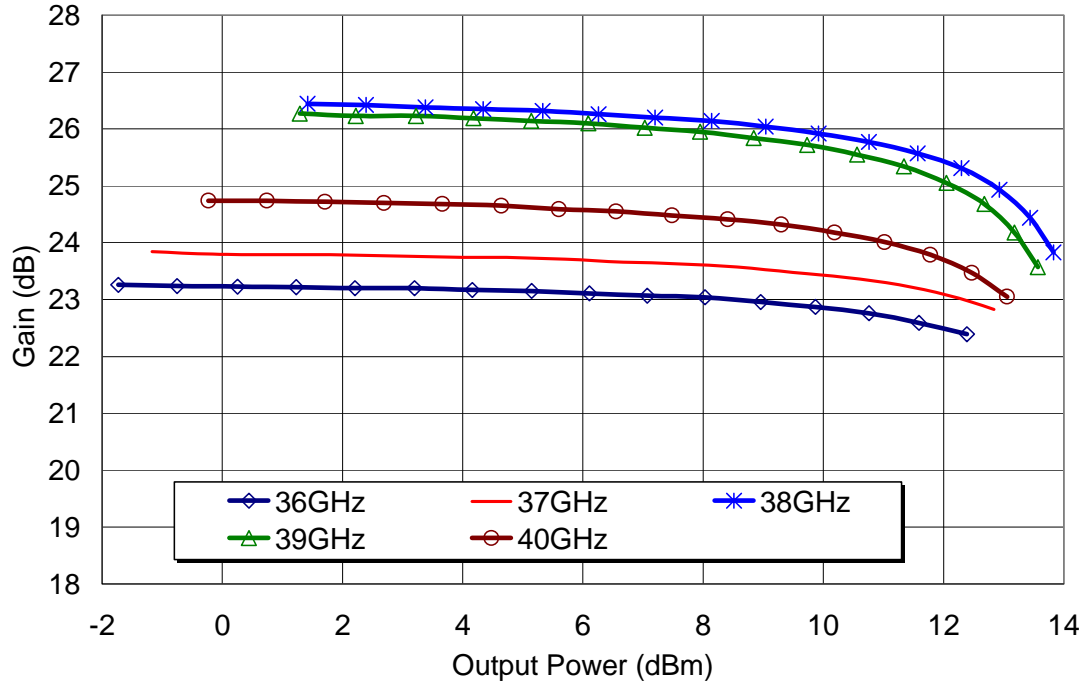


Gain & Return Loss versus frequency

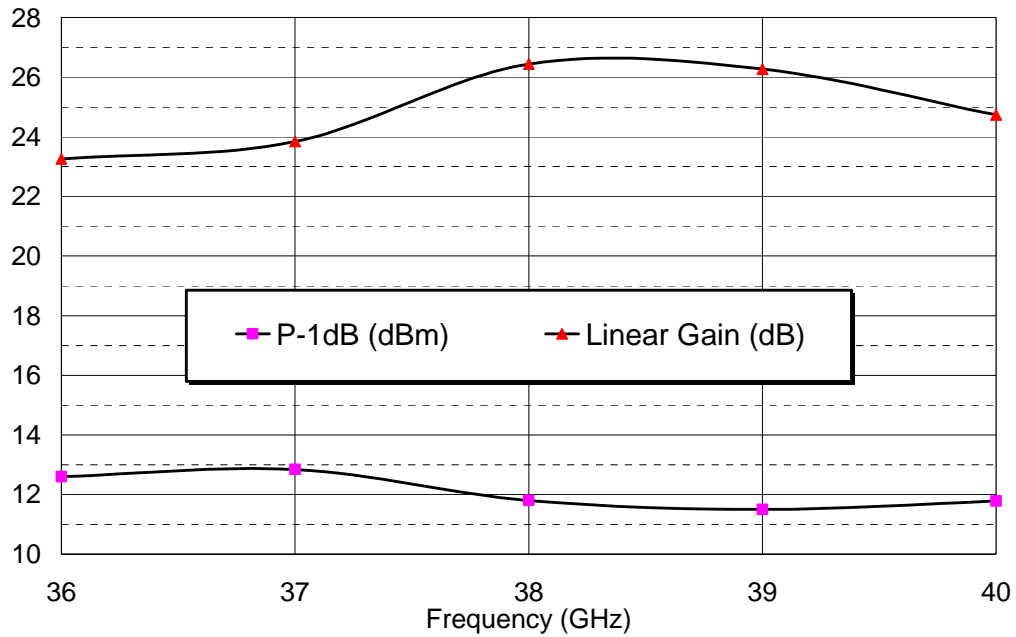
preliminary

In jig Measurements

Bias Conditions : $V_5=V_{d2}=V_{d3,4}= 5$ Volt, $V_{g1}=V_{g2}=V_{g3,4} = -0.3V$, $V_c= 1.2V$



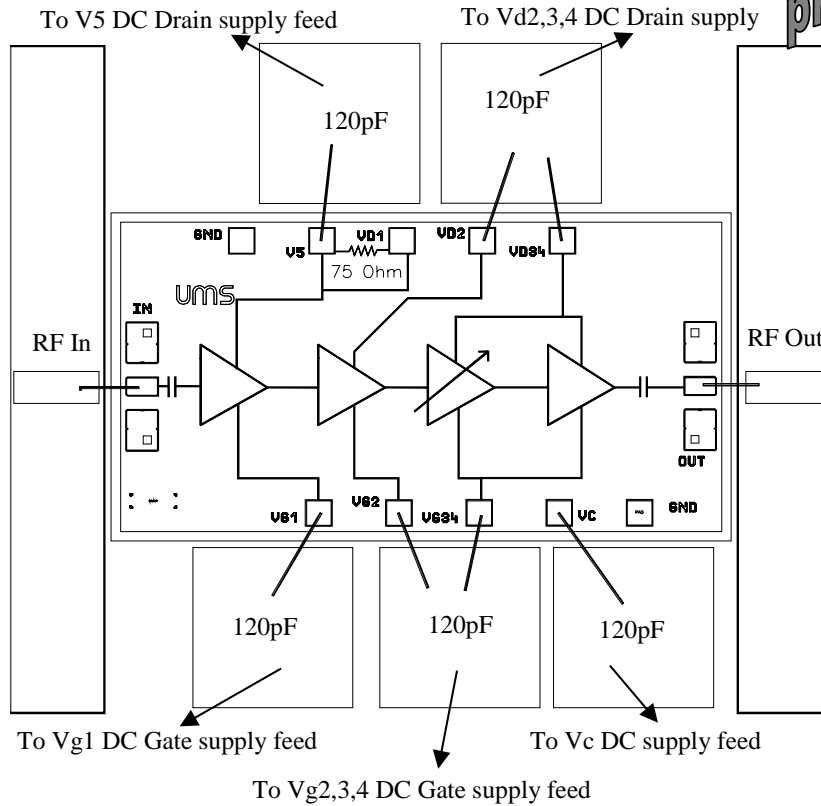
Gain versus Output power



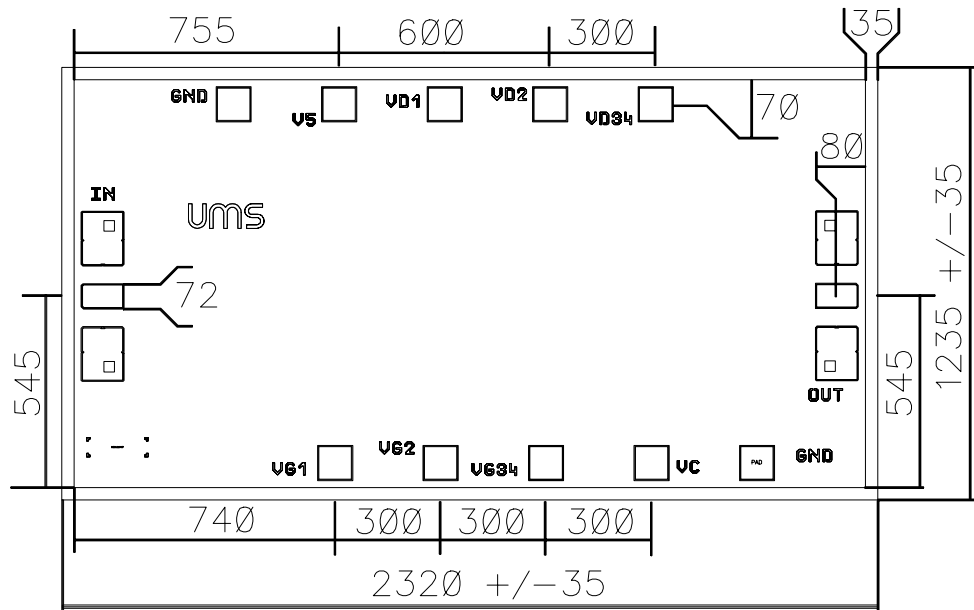
Linear Gain & Output power @ 1dB compression versus frequency

Chip Assembly and Mechanical Data

preliminary

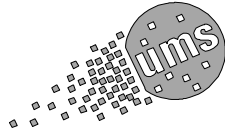


Note : Supply feed should be capacitively bypassed. 25µm diameter gold wire is recommended
Bond Pad:100 x 100 µm



Bonding pad positions

(Chip thickness : 100µm. All dimensions are in micrometers)



preliminary

Ordering Information

Chip form : CHA2294-99F/00

Information furnished is believed to be accurate and reliable. However **United Monolithic Semiconductors S.A.S.** assumes no responsibility for the consequences of use of such information nor for any infringement of patents or other rights of third parties which may result from its use. No license is granted by implication or otherwise under any patent or patent rights of **United Monolithic Semiconductors S.A.S.** Specifications mentioned in this publication are subject to change without notice. This publication supersedes and replaces all information previously supplied. **United Monolithic Semiconductors S.A.S.** products are not authorised for use as critical components in life support devices or systems without express written approval from **United Monolithic Semiconductors S.A.S.**