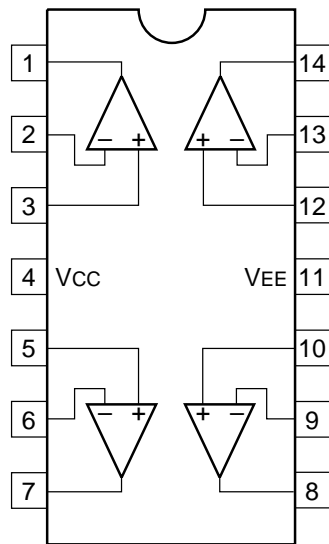

QUAD OPERATIONAL AMPLIFIER
—TOP VIEW—

$$V_{CC} - V_{EE} \leq 36V$$

www.DataSheet.in