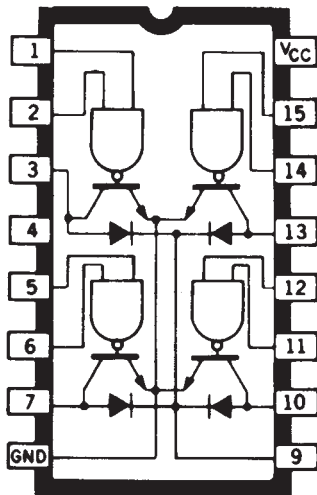


# 5706

## QUAD 2-INPUT PERIPHERAL/POWER DRIVER —TRANSIENT-PROTECTED OUTPUTS



Dwg. No. A-9866

### ABSOLUTE MAXIMUM RATINGS at $T_A = +25^\circ\text{C}$

Supply Voltage, $V_{CC}$ .....	7.0 V
Input Voltage, $V_{IN}$ .....	30 V
Output Off-State Voltage, $V_{OFF}$ .....	80 V
Output On-State Sink Current, $I_{ON}$ .....	600 mA
Suppression Diode Off-State Voltage, $V_{OFF}$ .....	80 V
Suppression Diode On-State Current, $I_{ON}$ .....	600 mA
Power Dissipation, $P_D$ .....	2.0 W*
Each Driver .....	0.8 W
Operating Free-Air Temperature Range, $T_A$ .....	$-40^\circ\text{C}$ to $+85^\circ\text{C}$
Storage Temperature Range, $T_S$ .....	$-55^\circ\text{C}$ to $+150^\circ\text{C}$

\*Derate at the rate of 16.7 mW/ $^\circ\text{C}$  above  
 $T_A = +25^\circ\text{C}$

This 16-lead quad 2-input peripheral/power driver is a bipolar monolithic integrated circuit containing logic gates, high-current switching transistors, and transient-suppression diodes on the same chip. The four output transistors are capable of simultaneously sinking 300 mA continuously at ambient temperatures of up to  $+70^\circ\text{C}$ . In the OFF state, this driver will withstand at least 80 V.

The UDQ5706A quad driver is ideally suited for interface between low-level or high-level logic and high-current/high-voltage loads. Typical applications include driving peripheral loads such as incandescent lamps, light-emitting diodes, memories, and heaters.

The integral transient-suppression diodes allow its use with inductive loads such as relays, solenoids, or stepping motors without the need of discrete diodes.

This device is furnished in a 16-pin DIP package with a copper leadframe for improved thermal characteristics.

### FEATURES

- DTL/TTL/PMOS/CMOS Compatible Inputs
- Low Input Current
- 300 mA Continuous Output Current
- Standoff Voltage of 80 V

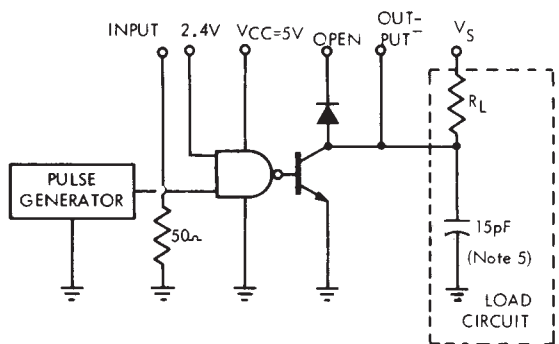
Always order by complete part number, e.g., **UDQ5706A**.



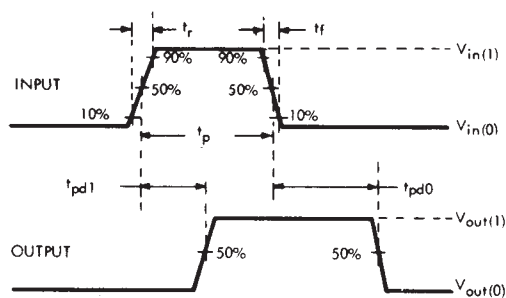
# 5706 QUAD PERIPHERAL/POWER DRIVER

## RECOMMENDED OPERATING CONDITIONS

	Min.	Nom.	Max.	Units
Supply Voltage ( $V_{CC}$ )	4.75	5.0	5.25	V
Operating Temperature Range	-40	+25	+85	°C
Current into any output (ON state)	—	—	300	mA



Dwg. No. A-7878A



Dwg. No. A-7628C

## INPUT TEST PULSE CHARACTERISTICS

$V_{IN(0)} = 0 \text{ V}$	$t_f = 7 \text{ ns}$	$t_p = 1 \mu\text{s}$
$V_{IN(1)} = 3.5 \text{ V}$	$t_r = 14 \text{ ns}$	PRR = 500 kHz

# 5706

## QUAD PERIPHERAL/POWER DRIVER

### ELECTRICAL CHARACTERISTICS over operating temperature range (unless otherwise noted).

Characteristic	Symbol	Test Conditions					Limits				Notes
		Temp.	V <sub>CC</sub>	Driven Input	Other Input	Output	Min.	Typ.	Max.	Units	
"1" Output Reverse Current	I <sub>OFF</sub>	—	MIN	2.0 V	2.0 V	80 V	—	—	100	μA	—
		—	OPEN	2.0 V	2.0 V	80 V	—	—	100	μA	—
"0" Output Voltage	V <sub>ON</sub>	—	MIN	0.8 V	V <sub>CC</sub>	150 mA	—	0.35	0.5	V	—
		—	MIN	0.8 V	V <sub>CC</sub>	300 mA	—	0.5	0.7	V	—
"1" Input Voltage	V <sub>IN(1)</sub>	—	MIN	—	—	—	2.0	—	—	V	—
"0" Input Voltage	V <sub>IN(0)</sub>	—	MIN	—	—	—	—	—	0.8	V	—
"0" Input Current	I <sub>IN(0)</sub>	—	MAX	0.4 V	30 V	—	—	-50	-100	μA	2
"1" Input Current	I <sub>IN(1)</sub>	—	MAX	30 V	0 V	—	—	—	10	μA	2
Input Clamp Voltage	V <sub>LK</sub>	—	MIN	-12 mA	—	—	—	—	-1.5	V	—
Diode Leakage Current	I <sub>R</sub>	NOM	NOM	0 V	0 V	OPEN	—	—	200	μA	3
Diode Forward Voltage Drop	V <sub>F</sub>	NOM	NOM	V <sub>CC</sub>	V <sub>CC</sub>	—	—	1.5	1.75	V	4
"1" Level Supply Current	I <sub>CC(1)</sub>	NOM	MAX	5.0 V	5.0 V	—	—	16	24	mA	5
"0" Level Supply Current	I <sub>CC(0)</sub>	NOM	MAX	0 V	0 V	—	—	70	98	mA	5

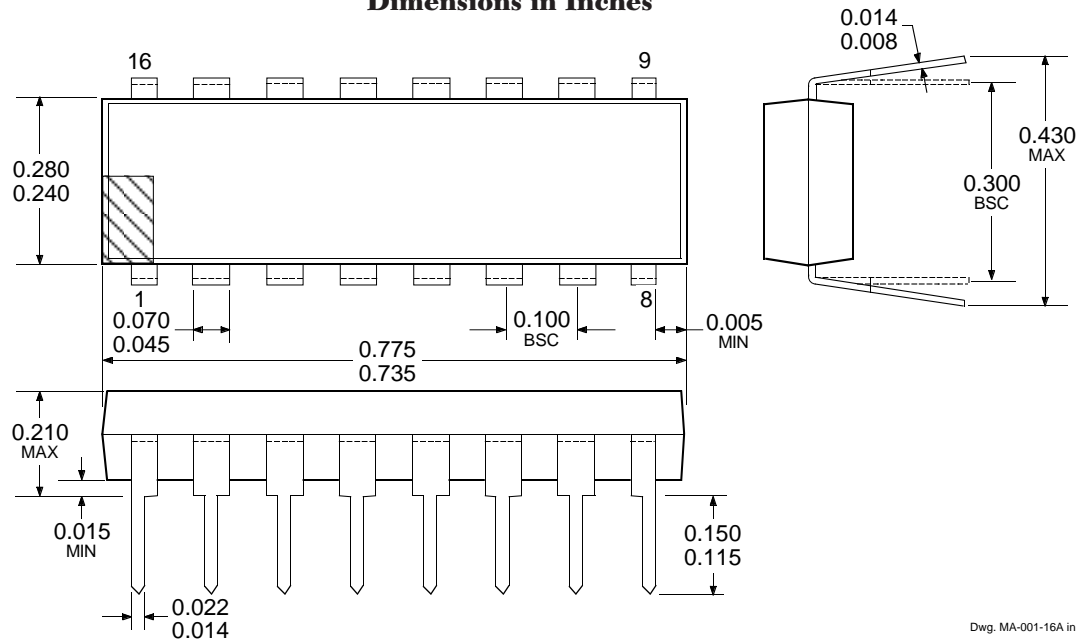
### SWITCHING CHARACTERISTICS at V<sub>CC</sub> = 5.0 V, T<sub>A</sub> = 25°C

Characteristic	Symbol	Test Conditions	Limits			Notes
			Min.	Typ.	Max.	
Turn-on Delay Time	t <sub>pd0</sub>	V <sub>S</sub> = 70 V, R <sub>L</sub> = 465 Ω (10 Watts), C <sub>L</sub> = 15 pF (including probe and test fixture)	—	200	—	ns
Turn-off Delay Time	t <sub>pd1</sub>	V <sub>S</sub> = 70 V, R <sub>L</sub> = 465 Ω (10 Watts), C <sub>L</sub> = 15 pF (including probe and test fixture)	—	300	—	ns

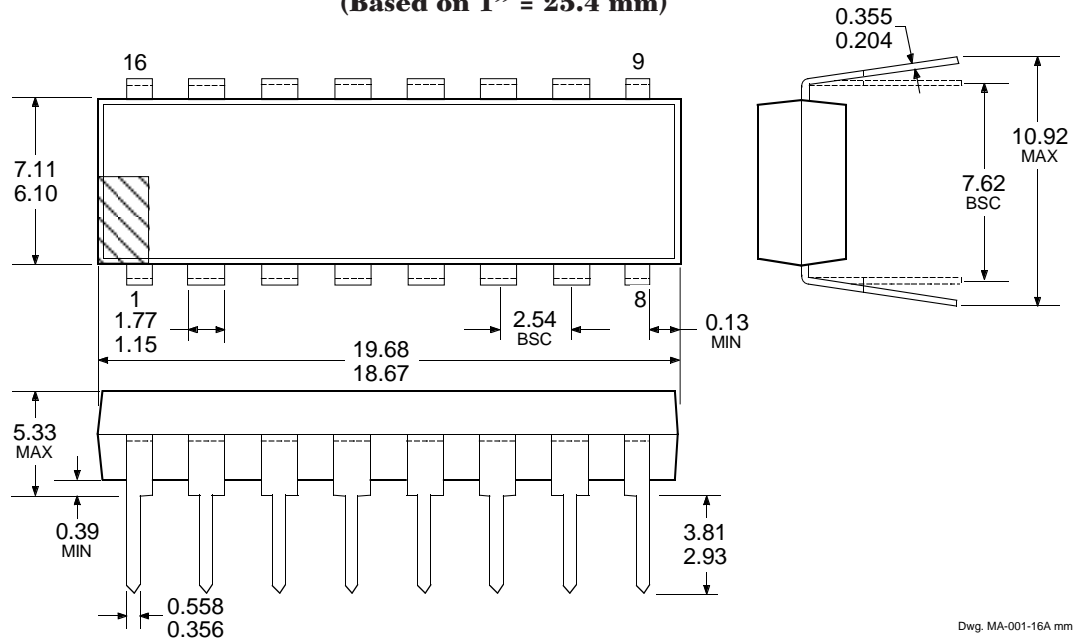
- NOTES: 1. Typical values are at V<sub>CC</sub> = 5.0 V, T<sub>A</sub> = 25°C.  
 2. Each input tested separately.  
 3. Diode leakage current measured at V<sub>R</sub> = V<sub>off (min)</sub>.  
 4. Diode forward voltage drop measured at I<sub>F</sub> = 300 mA.  
 5. Per package.

# 5706 QUAD PERIPHERAL/POWER DRIVER

## Dimensions in Inches



## Dimensions in Millimeters (Based on 1" = 25.4 mm)



- NOTES:
1. Lead thickness is measured at seating plane or below.
  2. Lead spacing tolerance is non-cumulative.
  3. Exact body and lead configuration at vendor's option within limits shown.

*Allegro MicroSystems, Inc. reserves the right to make, from time to time, such departures from the detail specifications as may be required to permit improvements in the design of its products. Components made under military approvals will be in accordance with the approval requirements.*

*The information included herein is believed to be accurate and reliable. However, Allegro MicroSystems, Inc. assumes no responsibility for its use; nor for any infringements of patents or other rights of third parties which may result from its use.*



115 Northeast Cutoff, Box 15036  
Worcester, Massachusetts 01615-0036 (508) 853-5000