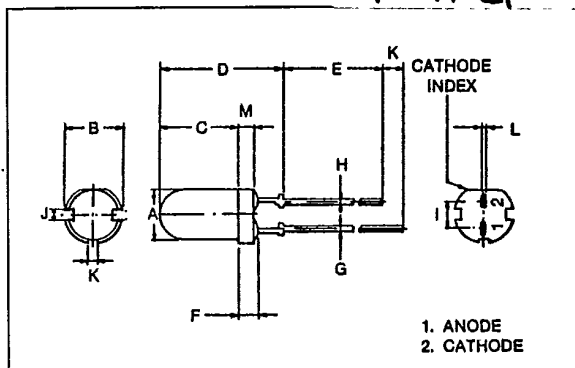


T-1³/₄ ULTRA BRIGHT LED LAMPS

FEATURES

- All plastic mold type.
- High intensity and moderate radiation angle.
- Fast response time.
- Capable of pulse operation.



SYMBOL	INCHES	MM	SYMBOL	INCHES	MM
A	0.197 ± 0.008	5 ± 0.2	G	0.020	0.5
B	0.228 ± 0.008	5.8 ± 0.2	H	0.020	0.5
C	0.315 ± 0.008	8.0 ± 0.2	I	0.100	2.54
D	0.453 ^{+0.018} / _{-0.004}	11.5 ^{+0.4} / _{-0.1}	J	0.028	0.7
E	0.689 ± 0.039	17.5 ± 1	K	0.039	1.0
F	0.098 MAX	2.5 MAX	L	0.020	0.5
			M	0.039	1.0

MAXIMUM RATINGS (Ta = 25°C)

PART NO.	FORWARD CURRENT (If) (mA)	REVERSE VOLTAGE (VR) (V)	POWER DISSIPATION (PD) (mW)	OPERATING TEMPERATURE (Topr) (°C)	STORAGE TEMPERATURE (Tstg) (°C)
MT330A-Y	25	4	70	-20 ~ 75	-30 ~ 100
MT330A-G	25	4	70	-20 ~ 75	-30 ~ 100
MT340A-Y	25	4	70	-20 ~ 75	-30 ~ 100
MT340A-G	25	4	70	-20 ~ 75	-30 ~ 100
MT360-UR	25	4	55	-20 ~ 75	-30 ~ 100
MT350-UR	25	4	55	-20 ~ 75	-30 ~ 100
MT340-UR	25	4	55	-20 ~ 75	-30 ~ 100
MT330-UR	25	4	55	-20 ~ 75	-30 ~ 100

OPTO-ELECTRICAL CHARACTERISTICS (Ta = 25°C)

PART NO.	MATERIAL	LENS COLOR	VIEWING ANGLE	LUMINOUS INTENSITY (mcd)			FORWARD VOLTAGE (V)			REVERSE CURRENT		PEAK WAVELENGTH (nm)	SPEC. LINE HALF WIDTH (nm)	
				typ.	min.	typ. max. @mA	typ.	max. @ mA	μA	Vr				
MT330A-Y	GaAsP/GaP	Yellow/Clear	25°	10	50	15	2.1	2.8	20	100	4	585	32	
MT330A-G	GaP/GaP	Green/Clear	25°	17	80	15	2.1	2.8	20	100	4	565	25	
MT340A-Y	GaAsP/GaP	Yellow/Diff	30°	5	20	15	2.1	2.8	20	100	4	585	32	
MT340A-G	GaP/GaP	Green/Diff	30°	6	30	15	2.1	2.8	20	100	4	565	25	
MT360-UR	GaAlAs	Milky/Diff	30°	26	50	20	1.8	2.2	20	100	4	660	25	
MT350-UR	GaAlAs	Water/Clear	25°	47	150	310	20	1.8	2.2	20	100	4	660	25
MT340-UR	GaAlAs	Red/Diff	30°	19	45	120	20	1.8	2.2	20	100	4	660	25
MT330-UR	GaAlAs	Red/Clear	25°	46	120	270	20	1.8	2.2	20	100	4	660	25