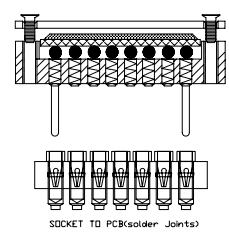
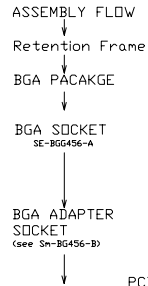
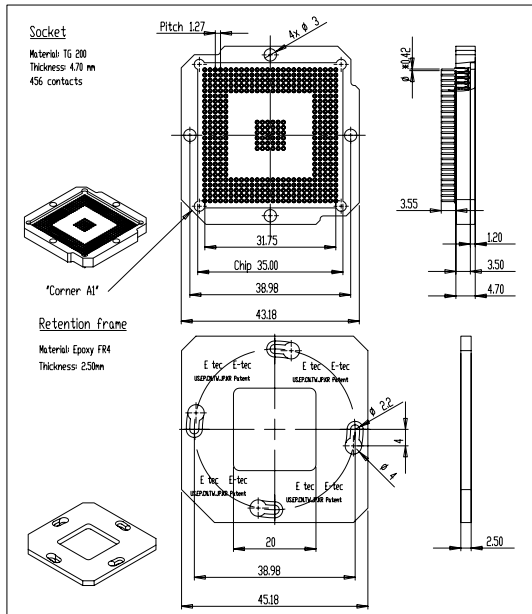


THE DRAWINGS AND INFORMATION CONTAINED HEREIN ARE THE EXCLUSIVE PROPERTY OF ACTEL. THE INFORMATION, DRAWINGS AND DESIGN CONCEPTS CONTAINED HEREIN ARE CONFIDENTIAL/PROPRIETARY. SHALL BE MAINTAINED IN STRICT CONFIDENCE, AND SHALL NOT BE RELEASED TO ANY THIRD PARTY WITHOUT THE EXPRESS WRITTEN PERMISSION OF ACTEL.

ECN NO.	REV.	DESCRIPTION OF CHANGE	EFFECTIVE DATE	ORIGINATOR
0007377	0	Initial	06/21/2007	Lijie Zhao



Torque Limiting Screw Driver

- Note: Dim: mm Please see detail drawing for part number
- To remove BGA socket from adapter socket, Use removal tool from Mil-Max
 - Mil-Max phone: 516-922-6000
 - Refer E-Tec 'Screw Lock Type Instruction' for more information.
 - Must use torque limiting screw driver to tighten screws (Refer Mountz minimaster 020074 gold, preset 7cNm/10ozFin).
- Under torque limit tighten could fall continuity and over torque limit tighten could crack package .

Rev1	Changement de diamètre 0.42	LG 19/06/07
REVISIONS	DESCRIPTION	DATE
1	Change diameter 0.42	19/06/07
2	Change diameter 0.42	19/06/07
3	Change diameter 0.42	19/06/07
4	Change diameter 0.42	19/06/07
5	Change diameter 0.42	19/06/07
6	Change diameter 0.42	19/06/07
7	Change diameter 0.42	19/06/07
8	Change diameter 0.42	19/06/07



E-TEC PART (order as):# BPW456-1270-26AB55

UNLESS OTHERWISE SPECIFIED DIMENSIONS ARE IN MILLIMETERS DECIMAL X.X ±0.10 X.XX ±0.05 X.XXX ±0.03	PROJECTION APPROVALS DATE DRAWN Lijie Zhao 06/21/2007	ACTEL CORPORATION 2081 Sterlita Court Mountain View, CA 94043-4855	
		TITLE SE-BGG456, E-tec lead free prototype socket drawing for BG456 and BGG456 packages	ACTEL DWG. NUMBER 1-07-09061
MATERIAL SEE NOTES	CHECKED ENG'R RELEASED	VENDOR NAME E-TEC	VENDOR Dwg. NUMBER BPW456-1270-26AB55
FINISH SEE NOTES	DO NOT SCALE DRAWING	Actel Part: SE-BGG456-A	SCALE: NONE SHEET 1 OF 1

E-TEC PATENTS PENDING