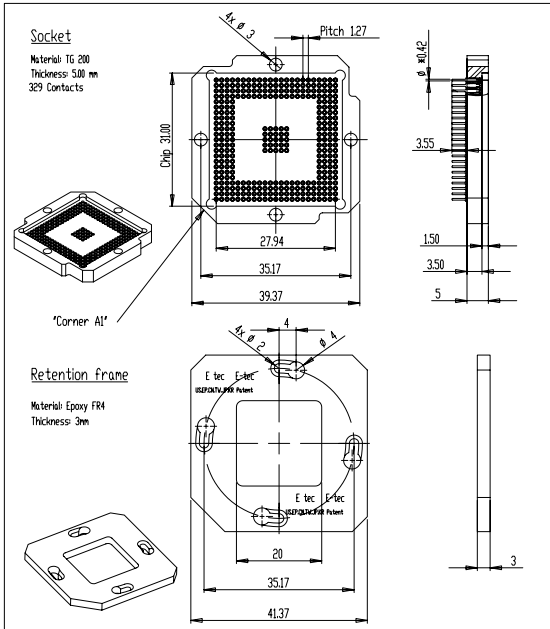
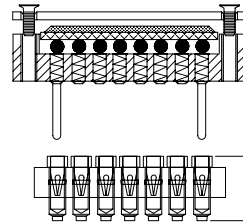


THE DRAWINGS AND INFORMATION CONTAINED HEREIN ARE THE EXCLUSIVE PROPERTY OF ACTEL. THE INFORMATION, DRAWINGS AND DESIGN CONCEPTS CONTAINED HEREIN ARE CONFIDENTIAL/PROPRIETARY. SHALL BE MAINTAINED IN STRICT CONFIDENCE, AND SHALL NOT BE RELEASED TO ANY THIRD PARTY WITHOUT THE EXPRESS WRITTEN PERMISSION OF ACTEL.

ECN NO.	REV.	DESCRIPTION OF CHANGE	EFFECTIVE DATE	ORIGINATOR
2007376	0	Initial	06/30/2007	Lijie Zhao



ASSEMBLY FLOW
 Retention Frame
 BGA PACKAGE
 BGA SOCKET
 SE-BGG329-A
 BGA ADAPTER SOCKET
 (see Sm-BG329-B)
 PCB BOARD



Torque Limiting Screw Driver

SOCKET TO PCB(solder Joints) Solder past thickness need to be at least 0.20mm(or 0.008 inch) in order to have reliable solder joint

Note: Dim: mm Please see detail drawing for part number

1. To remove BGA socket from adapter socket, Use removal tool from Mill-Max
 2. Mill-Max phone: 516-922-6000
 3. Refer E-Tec 'Screw Lock Type Instruction' for more information.
 4. Must use torque limiting screw driver to tighten screws (refer Mountz mini-master 020074 gold, preset 7cNm/10ozf.in).
- Under torque limit tighten could fall continuity and over torque limit tighten could crack package.

E-TEC PART#: BPW329-1270-23AB55

Rev	Description	By	Date
LG 19.06.07	Changement diamètre 0.42 au lieu de 0.42		

E-tec Interconnect
 Echelle: 1:51
 BPW329-1270-23AB55
 BPW0329-12-09705-23ABA
 SHEET 1 OF 1

UNLESS OTHERWISE SPECIFIED DIMENSIONS ARE IN MILLIMETERS		PROJECTION		Actel	
DECIMAL	ANGULAR	APPROVALS	DATE	TITLE	
XX ±0.10	±1°	Lijie Zhao	06/30/2007	SE-BGG329-A, E-tec lead free prototype socket drawing for BG329 and BGG329 packages	
X.XX ±0.05		CHECKED		VENDOR NAME	ACTEL DWG. NUMBER
X.XXX ±0.03		ENG'G		SE-BGG329-1270-23AB55	1-07-09063
		RELEASED		VENDOR Dwg. NUMBER	REV 0
				Actel Part#: SE-BGG329-A	REV 0
					SHEET 1 OF 1

E-TEC PATENTS PENDING