

rev 0.1

Spread Spectrum Clock Generator for Mobile Applications

Features

- Generates a 4X EMI optimized clock signal at the Output.
- Input frequency : 12.5MHz to 20MHz
- Output frequency : 50MHz to 80MHz
- REFOUT is same as input frequency
- Selectable Centre Spread :
± 0.5%, ± 1.0%
- Low power CMOS design
- 3.3V ± 0.3V Operating Voltage
- Available in Industrial Temperature range (-40to 85°C)
- Available in 8-pin TSSOP
- Drop-in replacement for MB88155-412 Device

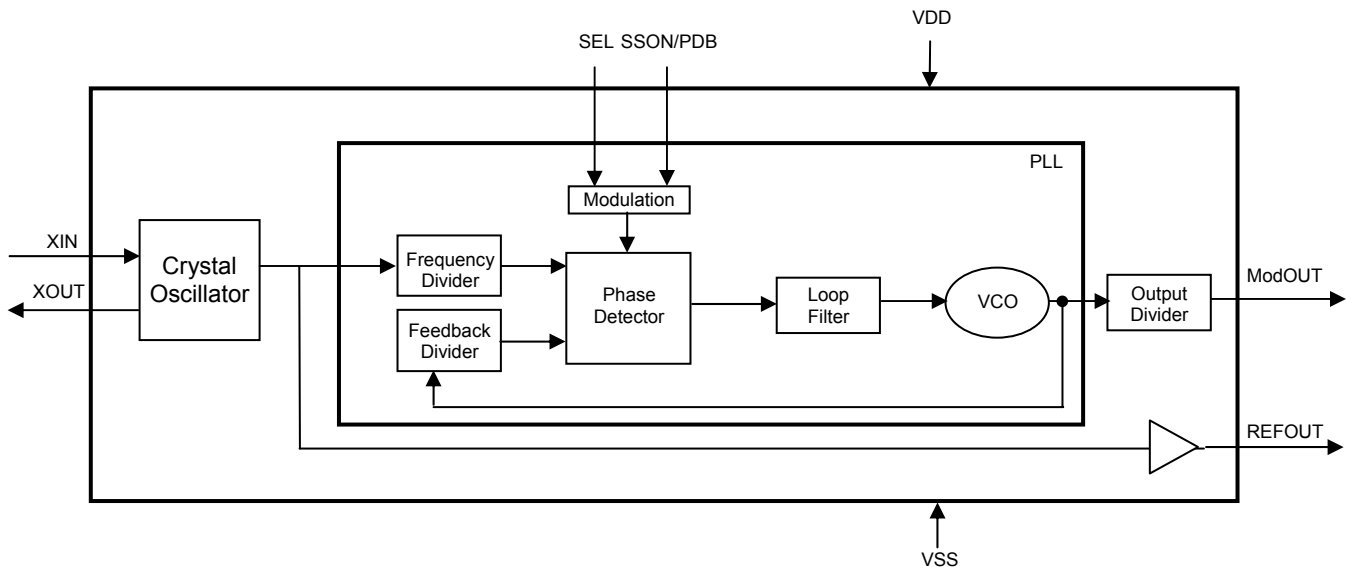
Product Description

The ASM3P2187A/B is a versatile spread spectrum frequency modulator designed specifically for a wide range of clock frequencies. The ASM3P2187A/B reduces electromagnetic interference (EMI) at the clock source, allowing system wide reduction of EMI of all clock dependent signals. The ASM3P2187A/B allows significant system cost savings by reducing the number of circuit board layers ferrite beads, shielding that are traditionally required to pass EMI regulations. ASM3P2187A device has an option of Spread ON/OFF and ASM3P2187B device has Powerdown option

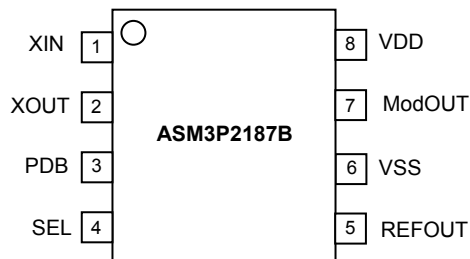
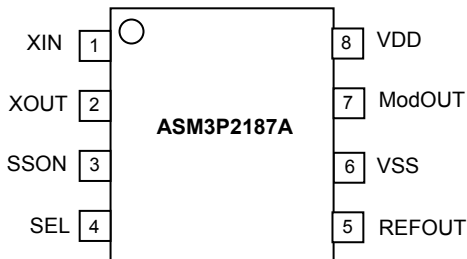
Applications

The ASM3P2187A/B is targeted towards mobile phones, mobile audio players and PDAs.

Block Diagram



Pin Configurations



Pin Description

Pin#	Pin Name	Type	Description
1	XIN	I	Crystal connection or external reference frequency input. This pin has dual functions. It can be connected either to an external crystal or an external reference clock.
2	XOUT	O	Crystal connection. If using an external reference, this pin must be left unconnected.
3	SSON / PDB*	I	Modulation enable pin/ Power down pin. Has an Internal pull up resistor
4	SEL	I	Modulation rate setting pin Centre spread, SEL = "L" : Frequency Deviation $\pm 0.5\%$ Centre spread, SEL = "H" : Frequency Deviation $\pm 1.0\%$ Has an Internal pull up resistor.
5	REFOUT	O	Non-modulated clock output pin. The Frequency is same as input frequency. This pin becomes to "L" at power-down.
6	VSS	P	Ground Connection. Connect to system ground.
7	ModOUT	O	Modulated clock output pin This pin becomes to "L" at power-down.
8	VDD	P	Power Supply Voltage Pin. Connect to +3.3V.

* SSON Pin is available in ASM3P2187A Device and PDB Pin is available in ASM3P2187B Device

Modulation Enable Setting Table

SSON	Modulation
L	No Modulation
H	Modulation

Power down Status Table

PDB	Status
L	Power Down Status
H	Operating Status

Spread Range Selection Table

SEL	Spreading Range
L	$\pm 0.50\%$
H	$\pm 1.00\%$

Absolute Maximum Ratings

Symbol	Parameter	Rating	Unit
VDD	Supply Voltage pin with respect to Ground	-0.5 to +4.6	V
V _{IN}	Input Voltage pin with respect to Ground	VSS-0.5 to VSS+0.5	V
V _{OUT}	Output Voltage pin with respect to Ground	VSS-0.5 to VSS+0.5	V
T _{STG}	Storage temperature	-55 to +125	°C
T _A	Operating temperature	-40 to +85	°C
T _s	Max. Soldering Temperature (10 sec)	260	°C
T _J	Junction Temperature	-40 to +125	°C
T _{DV}	Static Discharge Voltage (As per JEDEC STD22- A114-B)	2	KV

Note: These are stress ratings only and are not implied for functional use. Exposure to absolute maximum ratings for prolonged periods of time may affect device reliability.

DC Electrical Characteristics

(Test condition: All parameters are measured at -40°C to +85°C, 3.3V ± 0.3V , VSS =0V , unless otherwise stated)

Symbol	Parameter		Min	Typ	Max	Unit	
V _{IL}	Input low voltage		VSS – 0.3	-	0.8	V	
V _{IH}	Input high voltage		2.0	-	VDD+ 0.3	V	
I _{IL}	Input low current		-	-	-35	µA	
I _{IH}	Input high current		-	-	+35	µA	
I _{XOL}	X _{OUT} output low current (V _{XOL} @ 0.4V, VDD = 3.3V)		-	3	-	mA	
I _{XOH}	X _{OUT} output high current (V _{XOH} @ 2.5V, VDD = 3.3V)		-	3	-	mA	
V _{OL}	Output low voltage	For ModOUT, I _{OL} = 4mA	VSS	-	0.4	V	
		For REFOUT, I _{OL} = 3mA					
V _{OH}	Output high voltage	For ModOUT, I _{OH} = -4mA	VDD-0.5	-	VDD	V	
		For REFOUT, I _{OH} = -3mA					
I _{CC}	Dynamic supply current , TBD MHz Output, no load			TBD	TBD	mA	
I _{DD}	Static supply current standby mode			TBD		µA	
VDD	Operating voltage		3.3	3.3	3.6	V	
t _{ON}	Power up time (first locked clock cycle after power up)		-	2	5	mS	
Z _{OUT}	Clock output impedance	For ModOUT	-	TBD	-	Ω	
		For REFOUT	-	TBD	-	Ω	
C _{IN}	Input Capacitance, Ta=25°C, VDD=VIN=0V, f =1MHz		-	-	16	pF	
C _L	Load Capacitance	REFOUT	12.5MHz to 50MHz	-	-	15	pF
		ModOUT	12.5MHz to 50MHz	-	-	15	
			50MHz to 80MHz	-	-	7	

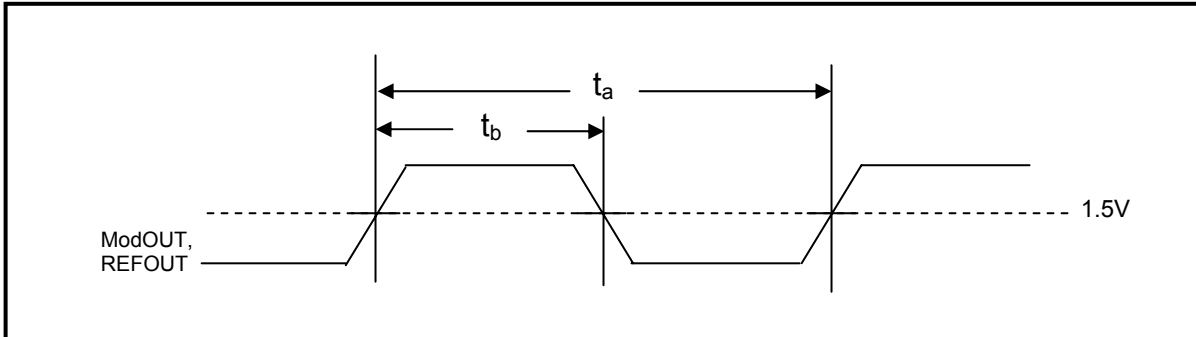
AC Electrical Characteristics

(Test condition: All parameters are measured at -40°C to +85°C, 3.3V ± 0.3V , VSS =0V , unless otherwise stated)

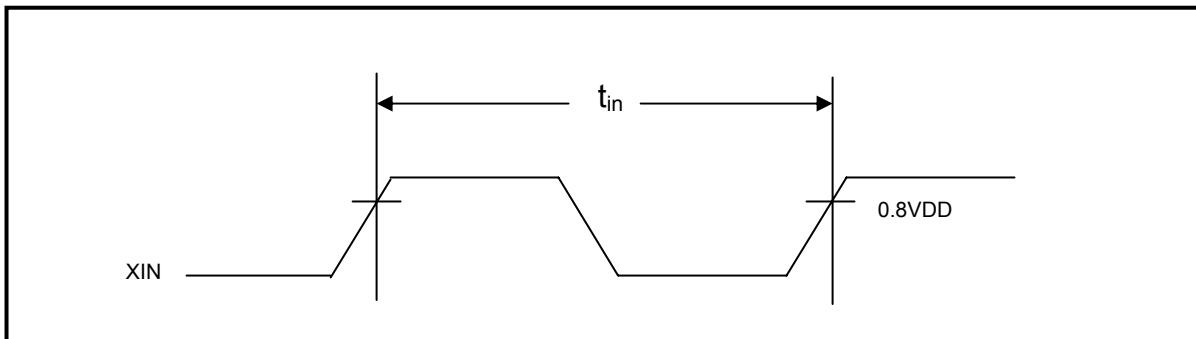
Symbol	Parameter		Min	Typ	Max	Unit
f _{IN}	Input frequency		12.5	-	20	MHz
f _{OUT}	Output frequency	ModOUT	50	-	80	MHz
		REFOUT	12.5	-	20	
t _{LH} *	Output rise time (Measured from 0.8V to 2.0V)		-	TBD	-	nS
t _{HL} *	Output fall time (Measured from 2.0V to 0.8V)		-	TBD	-	nS
t _{JC}	Jitter (Cycle to cycle), Ta=25°C and VDD=3.3V No Load Capacitance		-	-	TBD	pS
t _D	Output duty cycle		40	50	60	%
M _F	Modulation Frequency , Input Frequency =12.5MHz			32.4		KHz

*t_{LH} and t_{HL} are measured with a capacitive load of 15pF

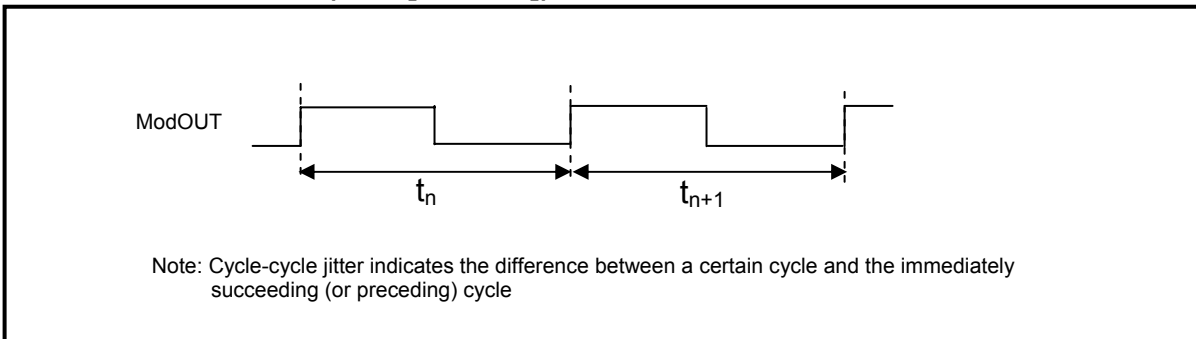
OUT PUT CLOCK DUTY CYCLE (t_D , $t_{DCR} = t_b / t_a$)



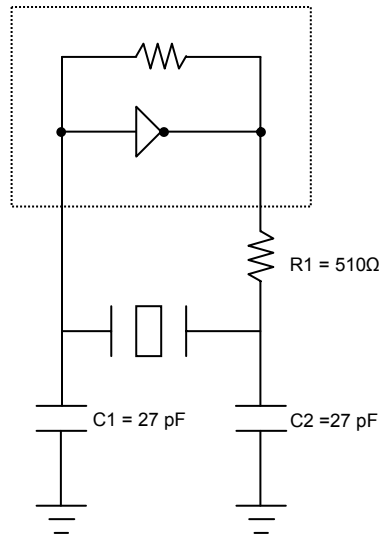
INPUT FREQUENCY ($f_{IN} = 1/t_{IN}$)



CYCLE -- CYCLE JITTER ($t_{JC} = [t_n - t_{n+1}]$)



Typical Crystal Oscillator Circuit

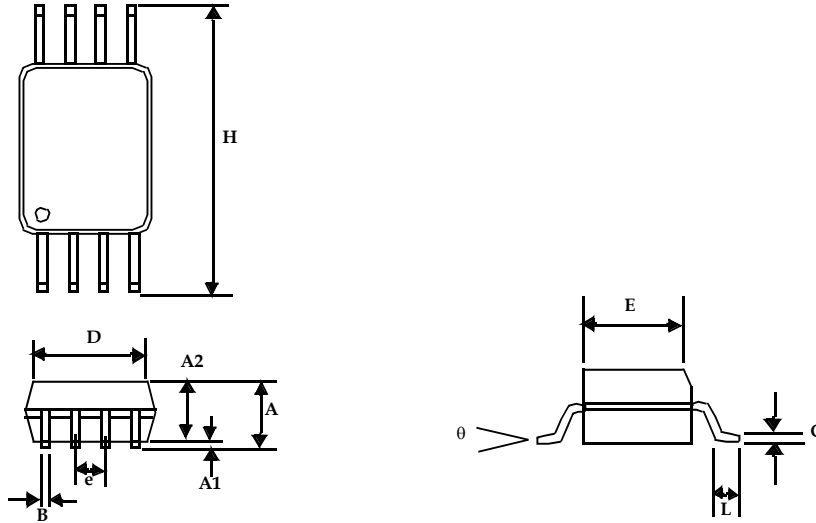


Typical Crystal Specifications

Fundamental AT cut parallel resonant crystal	
Nominal frequency	14.31818MHz
Frequency tolerance	± 50 ppm or better at 25°C
Operating temperature range	-25°C to +85°C
Storage temperature	-40°C to +85°C
Load capacitance	18pF
Shunt capacitance	7pF maximum
ESR	25Ω

Package Information

Mechanical Package Outline 8-Pin TSSOP



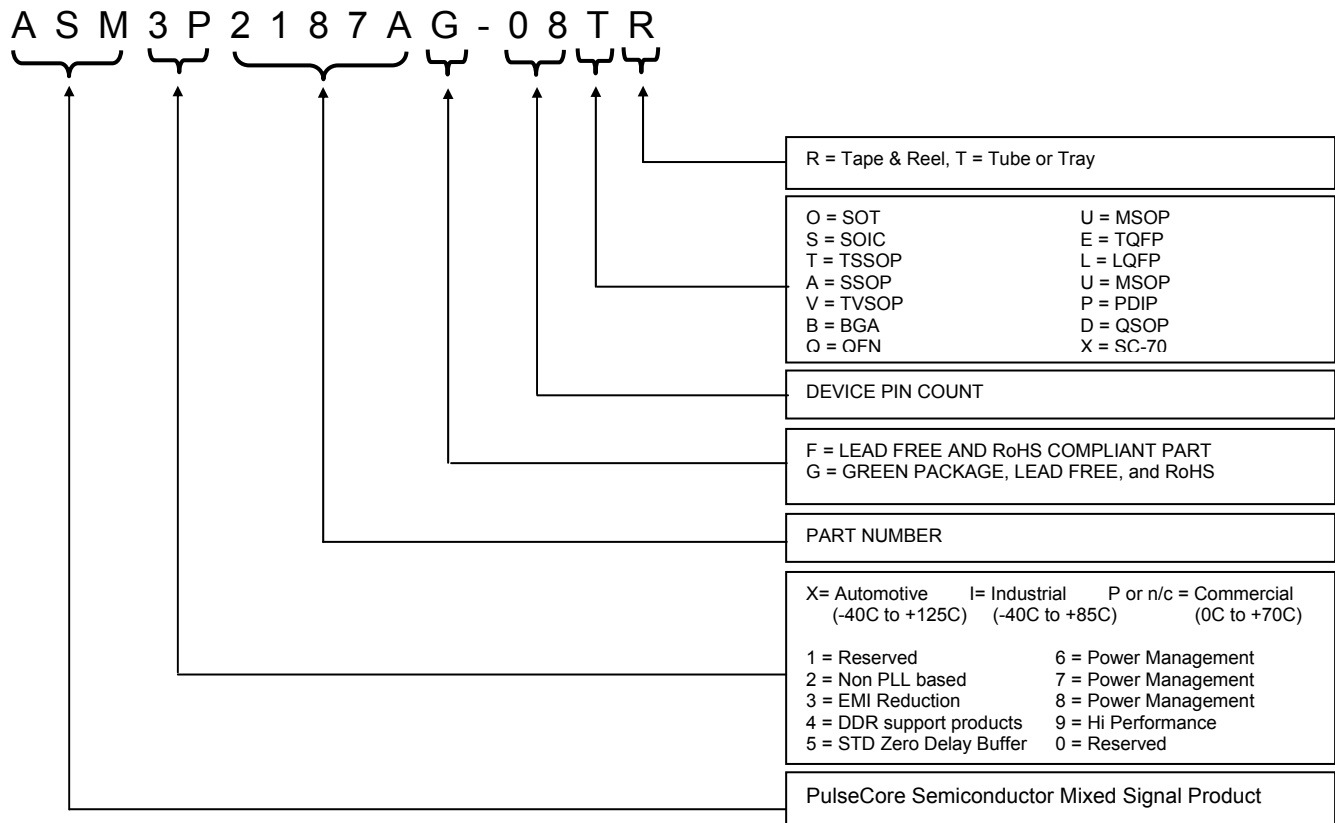
Symbol	Dimensions			
	Inches		Millimeters	
	Min	Max	Min	Max
A		0.043		1.10
A1	0.002	0.006	0.05	0.15
A2	0.033	0.037	0.85	0.95
B	0.008	0.012	0.19	0.30
c	0.004	0.008	0.09	0.20
D	0.114	0.122	2.90	3.10
E	0.169	0.177	4.30	4.50
e	0.026 BSC		0.65 BSC	
H	0.252 BSC		6.40 BSC	
L	0.020	0.028	0.50	0.70
θ	0°	8°	0°	8°

Note: Controlling dimensions are millimeters
TSSOP – 0.034 grams unit weight

Ordering Codes

Part Number	Marking	Package Type	Temperature
ASM3P2187AG-08TT	3P2187AG	8-Pin TSSOP, TUBE, Green	Commercial
ASM3P2187AG-08TR	3P2187AG	8-Pin TSSOP, TAPE & REEL, Green	Commercial
ASM3I2187AG-08TT	3I2187AG	8-Pin TSSOP, TUBE, Green	Industrial
ASM3I2187AG-08TR	3I2187AG	8-Pin TSSOP, TAPE & REEL, Green	Industrial
ASM3P2187BG-08TT	3P2187BG	8-Pin TSSOP, TUBE, Green	Commercial
ASM3P2187BG-08TR	3P2187BG	8-Pin TSSOP, TAPE & REEL, Green	Commercial
ASM3I2187BG-08TT	3I2187BG	8-Pin TSSOP, TUBE, Green	Industrial
ASM3I2187BG-08TR	3I2187BG	8-Pin TSSOP, TAPE & REEL, Green	Industrial

Device Ordering Information



Licensed under U.S Patent Nos 5,488,627 and 5,631,921



PulseCore Semiconductor Corporation
1715 S. Bascom Ave Suite 200
Campbell, CA 95008
Tel: 408-879-9077
Fax: 408-879-9018
www.pulsecoresemi.com

Copyright © PulseCore Semiconductor
All Rights Reserved
Preliminary Information
Part Number: ASM3P2187A/B
Document Version: v0.1

Note: This product utilizes US Patent # 6,646,463 Impedance Emulator Patent issued to PulseCore Semiconductor, dated 11-11-2003

© Copyright 2006 PulseCore Semiconductor Corporation. All rights reserved. Our logo and name are trademarks or registered trademarks of PulseCore Semiconductor. All other brand and product names may be the trademarks of their respective companies. PulseCore reserves the right to make changes to this document and its products at any time without notice. PulseCore assumes no responsibility for any errors that may appear in this document. The data contained herein represents PulseCore's best data and/or estimates at the time of issuance. PulseCore reserves the right to change or correct this data at any time, without notice. If the product described herein is under development, significant changes to these specifications are possible. The information in this product data sheet is intended to be general descriptive information for potential customers and users, and is not intended to operate as, or provide, any guarantee or warranty to any user or customer. PulseCore does not assume any responsibility or liability arising out of the application or use of any product described herein, and disclaims any express or implied warranties related to the sale and/or use of PulseCore products including liability or warranties related to fitness for a particular purpose, merchantability, or infringement of any intellectual property rights, except as express agreed to in PulseCore's Terms and Conditions of Sale (which are available from PulseCore). All sales of PulseCore products are made exclusively according to PulseCore's Terms and Conditions of Sale. The purchase of products from PulseCore does not convey a license under any patent rights, copyrights; mask works rights, trademarks, or any other intellectual property rights of PulseCore or third parties. PulseCore does not authorize its products for use as critical components in life-supporting systems where a malfunction or failure may reasonably be expected to result in significant injury to the user, and the inclusion of PulseCore products in such life-supporting systems implies that the manufacturer assumes all risk of such use and agrees to indemnify PulseCore against all claims arising from such use..