

IF Amplifier / Converter for DVB (Cable)

Description

The U4476B is a bipolar circuit for the processing of DVB-Cable IF signals (**D**igital **V**ideo **B**roadcasting). The amplifier/ converter is suitable for QAM modulated IF

signals (1st IF) and provides the gain controlled 2nd IF. With 5 V supply voltage the IC allows application in RF/IF front ends for DVB-Cable receivers (set top boxes).

Features

- Gain controlled amplifier for the 1st IF (36 MHz)
 - IF converter for the 2nd IF (7 MHz); VCO circuit is controlled by external PLL
 - Bandwidth of the output signal: 10 MHz (−1 dB)
 - Internal AGC with average detection for the QAM modulated DVB signal, reference level is adjustable
 - 5 V supply voltage; low-power consumption
- Package:** 28-pin small outline plastic package (SO28)

Block Diagram

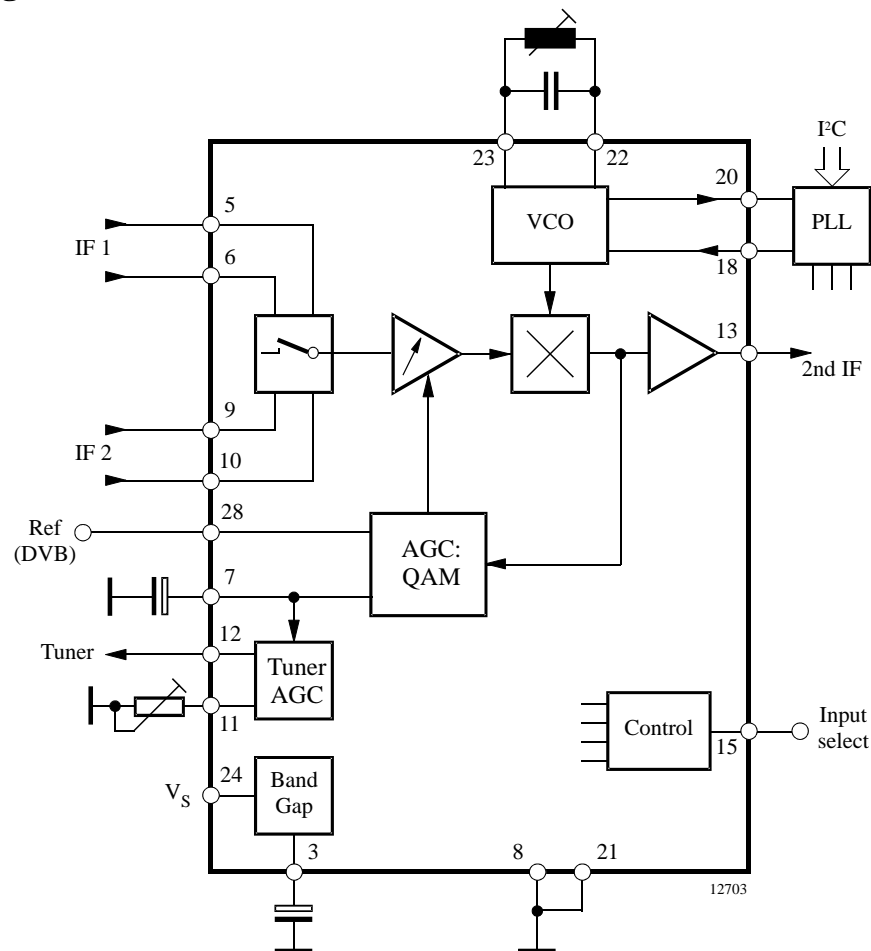


Figure 1. Block diagram

Ordering Information

| Extended Type Number | Package | Remarks |
|----------------------|---------|----------------------------|
| U4476B-MFLG3 | SO28 | Taped and reeled, 2000 pcs |

Pin Description

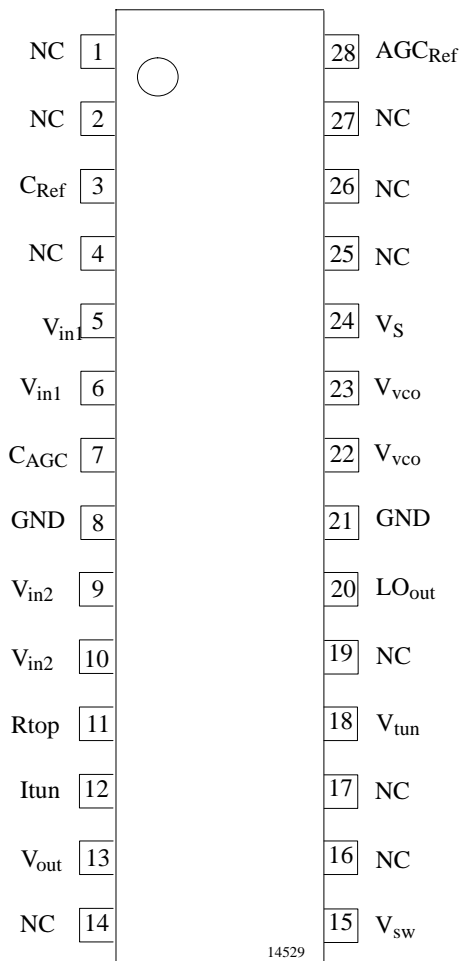


Figure 2. Pinning

| Pin | Symbol | Function |
|--------|--------------------|---------------------------------------------------|
| 1, 2 | NC | Not connected |
| 3 | C _{Ref} | Capacitor for internal band gap reference voltage |
| 4 | NC | Not connected |
| 5, 6 | V _{in1} | IF input 1 (symmetrical) |
| 7 | C _{AGC} | DVB AGC (time constant) |
| 8 | GND | Ground |
| 9, 10 | V _{in2} | IF input 2 (symmetrical) |
| 11 | R _{top} | Take-over point, tuner AGC |
| 12 | I _{tun} | Tuner AGC output current |
| 13 | V _{out} | Output signal (2nd IF) |
| 14 | NC | Not connected |
| 15 | V _{sw} | IF input selector switch |
| 16 | NC | Not connected |
| 17 | NC | Not connected |
| 18 | V _{tun} | Input for the external VCO tuning voltage |
| 19 | NC | Not connected |
| 20 | LO _{out} | Local oscillator output (reference signal) |
| 21 | GND | Ground |
| 22, 23 | V _{vco} | VCO circuit (symmetrical) |
| 24 | V _S | Supply voltage |
| 25 | NC | Not connected |
| 26 | NC | Not connected |
| 27 | NC | Not connected |
| 28 | AGC _{Ref} | External reference voltage (comparator DVB AGC) |

Absolute Maximum Ratings

| Parameters | Symbol | Value | Unit |
|---------------------------------------------|------------------|-------------|------|
| Supply voltage | V _S | 5.5 | V |
| Supply current | I _S | 100 | mA |
| Power dissipation, V _S = + 5.5 V | P _{tot} | 550 | mW |
| Output currents | I _{out} | 5 | mA |
| Junction temperature | T _j | 125 | °C |
| Storage temperature | T _{stg} | -25 to +125 | °C |
| Electrostatic handling *) | V _{ESD} | tbd | V |

*) Equivalent to discharging a 200-pF capacitor through a 0-Ω resistor

Operating Range

| Parameters | Symbol | Value | Unit |
|----------------------|-----------|------------|------|
| Supply voltage range | V_S | 4.5 to 5.5 | V |
| Ambient temperature | T_{amb} | 0 to +85 | °C |

Thermal Resistance

| Parameters | Symbol | Value | Unit |
|---------------------------------------|------------|-------|------|
| Junction ambient when soldered to PCB | R_{thJA} | 75 | K/W |

Electrical Characteristics

$V_S = 5\text{ V}$, $T_{amb} = 25^\circ\text{C}$

| Parameters | Test Conditions / Pins | Symbol | Min. | Typ. | Max. | Unit |
|--------------------------------------|----------------------------------------------------------------------------------|----------------------|------|-----------|------------|---------------------|
| DC supply | | | | | | |
| Supply voltage | | V_S | 4.5 | 5.0 | 5.5 | V |
| Supply current | | I_S | | 80 | 100 | mA |
| IF inputs | | | | | | |
| Input sensitivity, rms value | | v_{in} | | 80 | 120 | μV_{rms} |
| Input impedance | See note 1 | R_{in} | | 1.2 | | k Ω |
| Input capacitance | See note 1 | C_{in} | | 2 | | pF |
| DVB AGC (QAM modulation) | | | | | | |
| IF gain control range | IF2 output voltage Pin 13 = 1.8 V_{pp} | G_v | 60 | 65 | | dB |
| VCO | | | | | | |
| Oscillator frequency | | f_{vco} | | 43 | 60 | MHz |
| Tuning range | $f_{vco} = 43\text{ MHz}$ $C_{vco} = 8.2\text{ pF}$ | Δf_{tun} | | ± 1.5 | | MHz |
| Local oscillator output signal | $f_{vco} = 43\text{ MHz}$ $C_{vco} = 8.2\text{ pF}$ | LOout | | 100 | | mV |
| Local oscillator control signal | $f_{vco} = 43\text{ MHz}$ $C_{vco} = 8.2\text{ pF}$ | vtun | 0.5 | 2.7 | 4.5 | V |
| 2nd IF output | | | | | | |
| Output current source | | $\pm I_{out}$ | | | 5 | mA |
| Output current sink | | | 2 | | 4 | |
| Output resistance | See note 1 | R_{out} | | | 100 | Ω |
| Output amplitude | Peak-to-peak value | $v_{o,vid}$ | 1.6 | 1.8 | 2.0 | V |
| DC output voltage | | | | 2.2 | | V |
| Bandwidth of 2nd IF (-1 dB) | $R_L \geq 1\text{ k}\Omega$, $C_L \leq 50\text{ pF}$ | B | 10 | | | MHz |
| Frequency response over AGC range | | ΔB | | | 2.0 | dB |
| IF input switch | | | | | | |
| Control voltage | See also note 2, 'high' (IF1 active, Pin 5–6) 'low' (IF2 active, Pin 9–10) | V_{SW} V_{SW} | 2.5 | | 3.5 1.5 | V V |
| Switching current (Pin 15 to ground) | | I_{SW} | | 30 | | μA |

Electrical Characteristics

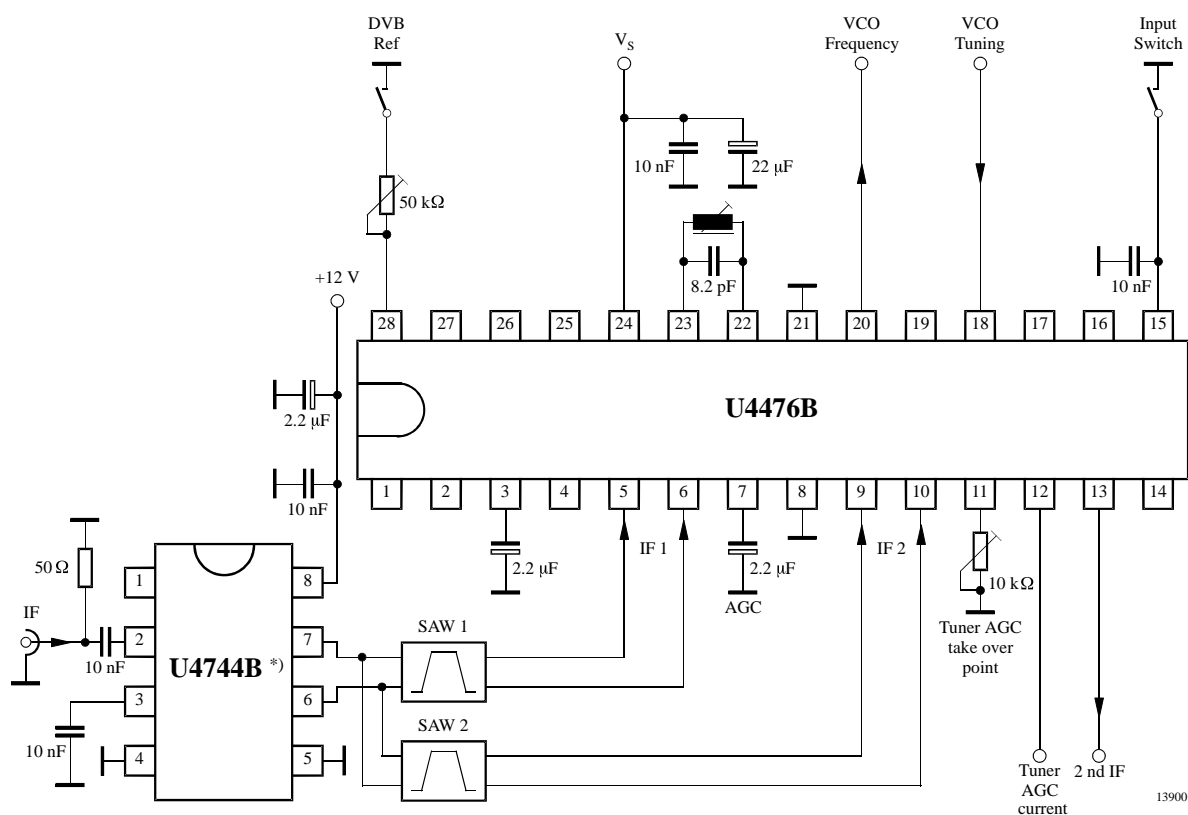
$V_s = 5\text{ V}$, $T_{\text{amb}} = +25^\circ\text{C}$

| Parameters | Test Conditions / Pins | Symbol | Min. | Typ. | Max. | Unit |
|---------------------------------------------------------------|----------------------------------------------------------------------------|------------------------|------|------|------|------|
| Tuner AGC | | | | | | |
| Available tuner AGC current | | I_{tun} | 1 | 2 | 4 | mA |
| Allowable output voltage | | V_{out} | 0.3 | | 13.5 | V |
| IF slip tuner AGC | Current I_{tun} : 10% to 90% | ΔG_{IF} | | 8 | 10 | dB |
| IF input signal for minimum take over point | | v_{in} | | | 4 | mV |
| IF input signal for maximum take over point | | v_{in} | 40 | | | mV |
| Variation of the take over point by temperature (Pin 28 open) | $\Delta T_{\text{amb}} = 55^\circ\text{C}$ IF AGC: $G_v = 46\text{ dB}$ | v_{in} | | 2 | 3 | dB |

Notes:

1. This parameter is given as an application information and not tested during production.
2. Without external control voltage (pin not connected) the input 1 is automatically selected.

Basic Application Circuit



*) U4744B: SAW driver, device phased out, not for new development

Figure 3.

IM3 Measurements and Application Recommendations

IM3 Measurement

For correct measurement of IM3 with the 2-carrier method, it is necessary to control the internal IF amplifier via an external voltage at Pin 7. The criteria for a correct value of the external control voltage is the output amplitude of 1.8 V_{pp} (or lower). Please note that – each change of the input level requests a correction of the external gain control voltage at Pin 7 in order to achieve the 1.8-V_{pp} output level again. In this case, IM3 is nearly 43 dB, independent from the input level. With an output voltage of 1.5 V_{pp} only, the IM3 is about –50 dB. Anyway, if the output amplitude is more than 1.8 V_{pp} (specified), the IM3 will decrease rapidly. In the graphic below, IM3 is shown for two different conditions:

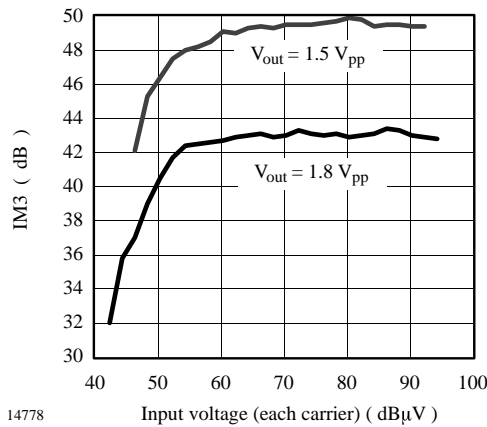


Figure 4. IM3 vs. IF input voltage and IF2out voltage
Test conditions: input: f₁ = 38 MHz,
f₂ = 39 MHz, LO = 43 MHz

Circuitry for External Gain Control

If the gain control of the IC is carried out by an external DSP, the internal charge pumps of the AGC (Pin 7) have to be overlapped by an external voltage source. The internal AGC currents are ± 20 μA. Therefore, the minimum current capacity of the external voltage source should be ± 30 μA or more.

The circuitry shown in figure 5 takes some more current.

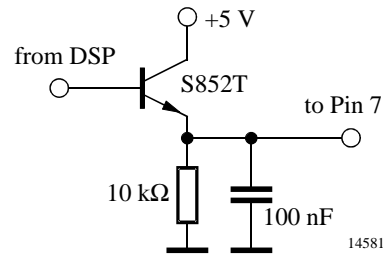


Figure 5.

External LO Application

If the internal VCO is not used, the LO can be fed unbalanced or balanced to the VCO Pins 22 and 23. The application shown below is generating an unbalanced LO signal by using a 36-MHz third-overtone quartz reference. The application circuit is taken from IQD Limited Crystal Product Data Book. The LO signal is fed unbalanced with 1 nF coupling capacity to Pin 22. Pin 23 has to be blocked to ground with an 1-nF capacitor. The typical LO amplitude is 100 dBμV. The variation of the LO input amplitude should not exceed ± 5 dB (better: ± 3 dB).

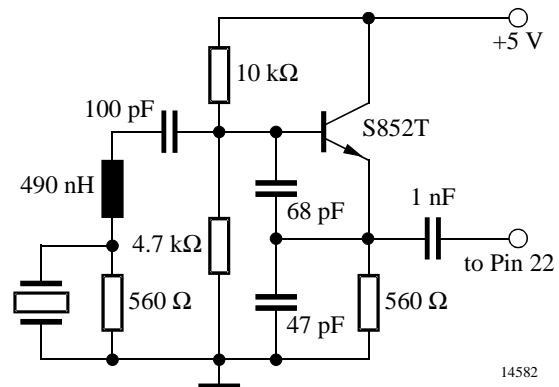


Figure 6.

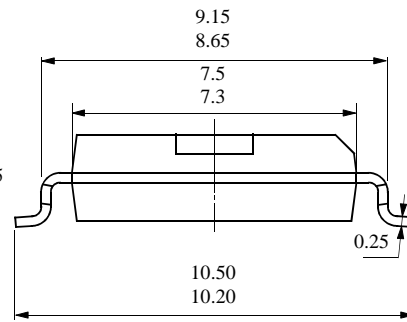
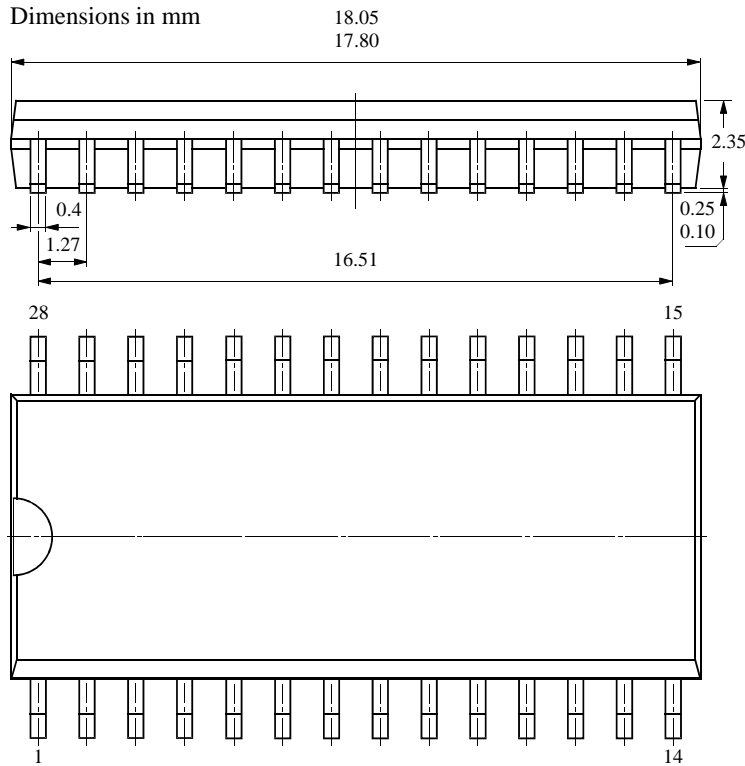
Note:

With external LO operation, Pin 18 (VCO tuning voltage) should be connected to the supply voltage, and Pin 20 (LO output) should not be connected to the PCB.

Package Information

Package SO28

Dimensions in mm



technical drawings
according to DIN
specifications

13033

Ozone Depleting Substances Policy Statement

It is the policy of **TEMIC TELEFUNKEN microelectronic GmbH** to

1. Meet all present and future national and international statutory requirements.
2. Regularly and continuously improve the performance of our products, processes, distribution and operating systems with respect to their impact on the health and safety of our employees and the public, as well as their impact on the environment.

It is particular concern to control or eliminate releases of those substances into the atmosphere which are known as ozone depleting substances (ODSs).

The Montreal Protocol (1987) and its London Amendments (1990) intend to severely restrict the use of ODSs and forbid their use within the next ten years. Various national and international initiatives are pressing for an earlier ban on these substances.

TEMIC TELEFUNKEN microelectronic GmbH semiconductor division has been able to use its policy of continuous improvements to eliminate the use of ODSs listed in the following documents.

1. Annex A, B and list of transitional substances of the Montreal Protocol and the London Amendments respectively
2. Class I and II ozone depleting substances in the Clean Air Act Amendments of 1990 by the Environmental Protection Agency (EPA) in the USA
3. Council Decision 88/540/EEC and 91/690/EEC Annex A, B and C (transitional substances) respectively.

TEMIC can certify that our semiconductors are not manufactured with ozone depleting substances and do not contain such substances.

We reserve the right to make changes to improve technical design and may do so without further notice.

Parameters can vary in different applications. All operating parameters must be validated for each customer application by the customer. Should the buyer use TEMIC products for any unintended or unauthorized application, the buyer shall indemnify TEMIC against all claims, costs, damages, and expenses, arising out of, directly or indirectly, any claim of personal damage, injury or death associated with such unintended or unauthorized use.

TEMIC TELEFUNKEN microelectronic GmbH, P.O.B. 3535, D-74025 Heilbronn, Germany
Telephone: 49 (0)7131 67 2831, Fax number: 49 (0)7131 67 2423