

Large Current Power Inductors

Token introduces high-current & high saturation flux density compact power inductor (TCLP/TCVP)

▶ Preview

Token Electronics Power Solutions has enhanced its toroidal surface-mount and radial lead inductor portfolios with the addition of four new ranges of RoHS compliant components. The surface mount (TCLP/TCVP) series are general-purpose radial leaded inductors suitable for providing high saturation flux density and higher current ratings applications such as those found in power supplies.

The (TCLP/TCVP) series of toroidal surface-mount inductors meanwhile are designed for use in switching AC/DC power supplies and DC/DC converters. Both of TCLP and TCVP version secure 4 terminal mounting inductor more versatile inductance combination by series or parallel connections. Token (TCLP/TCVP) surface mount magnetics that can be used as single, or coupled inductors, or 1:1 transformers that provide isolation between two windings are designed around high frequency low loss material.

The (TCLP/TCVP) series toroidal surface-mount inductors have compact overall dimensions with a maximum overall height of less than 13 mm and 21 mm. The toroidal construction of the new inductors aids design engineers by helping minimise EMI issues.

Custom parts are available on request. Token will also produce devices outside these specifications to meet specific customer requirements, please contact our sales for more information.

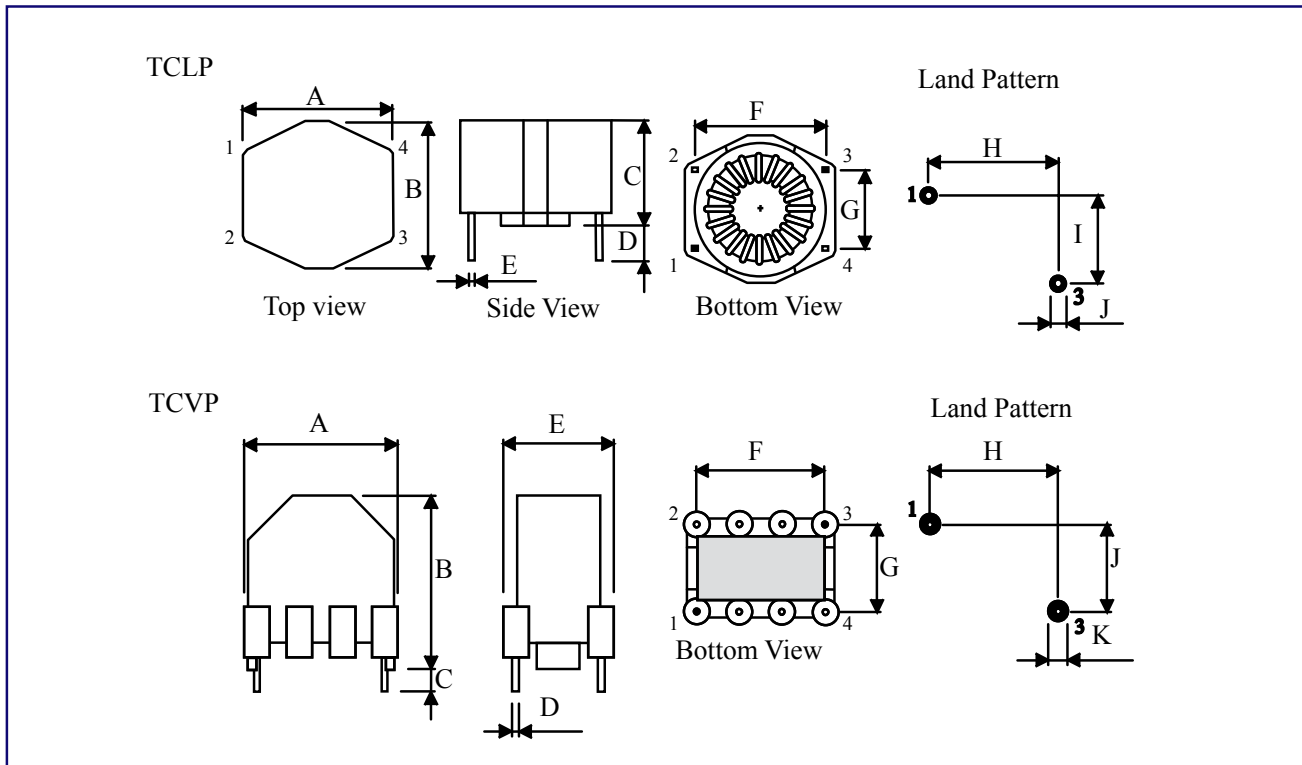
Features :

- high saturation for surface mounting.
- Large Current and Low DCR.

Applications :

- TV BOX.
- Power supply applications.
- Output Ripple Current Filter.

Configurations & Dimensions



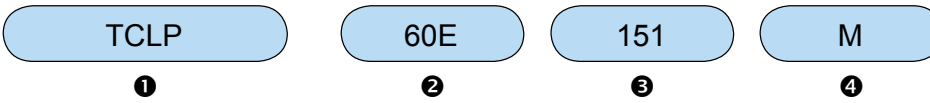
Type	A(max)	B(max)	C	D	E	F	G	H	I	J
TCLP	18.03	18.03	13.0(max)	4.0 ± 1.0	0.64 ± 0.2	15.3 ± 0.5	10.2 ± 0.5	15.3	10.2	1.78
TCVP	19.00	21.00	4.0 ± 1.0	0.7 ± 0.3	14.0(max)	15.0 ± 0.5	10.0 ± 0.5	15.0	10.0	1.78

Note: Design as Customer's Requested Specifications.

Electrical Characteristics

Part Number	Inductance(μH)	Test Freq.(KHz)	L@IDC(μH)(min)	DCR (Ω)(max)	IDC (A)(max)
TC*P - 60E - 151M	150	100	125	0.210	1.70
TC*P - 60E - 221M	220	100	180	0.250	1.50
TC*P - 60E - 331M	330	100	280	0.480	1.00
TC*P - 60E - 471M	470	100	400	0.660	0.90
TC*P - 60E - 681M	680	100	590	0.930	0.85
TC*P - 60E - 821M	820	100	700	1.300	0.75
TC*P - 60E - 102M	1000	100	930	1.600	0.50

▶ How to Order



❶ Part Number: TCLP, TCVP

❷ Core Material

❸ Inductance

Code	Inductance
151	150 μ Hc
471	470.00 μ H
102	1000.00 μ H

❹ Tolerance

Code	Tolerance
M	20%
N	30%

[Back to 1st Page - Large Current Power Inductors \(TCLP/TCVP\)](#)