

SSF24

miniature internal side mount



The SSF24 series is a compact horizontally mounted device designed to achieve reliable switching.

Mounting is in the side of the tank from the inside, so requires access to the inside of the tank.

They are manufactured in 316 grade Stainless Steel, and will work in liquids of SG 0.8 minimum.

The switch action may be reversed by removing the float, inverting it and then refitting it to the stem.



- **Stainless steel**
- **Internal mounting**
- **Compact design**
- **Temperature range to 120°C**
- **User configurable N/O or N/C action**

Technical Specification

Mounting style	Internal	Cable length - standard	1000mm
Mounting thread	1/8" BSP	Cable size	17/0.10 - AWG22
Float & Stem material	316 grade	Cable conductor material	Tinned copper
Maximum Temperature	120°C	Cable sheath material	XLPE
Maximum Pressure	10 bar	Cable temperature rating	125°C
Float SG	0.7	Sealing gasket	Not supplied
Minimum fluid SG	0.8	Tightening torque for fixing nut	2.0kg/cm

Electrical Specification

Contact Form	N/O or N/C
Switching Power Max. VA	50
Switching Current Max. A	0.5
Switching Voltage AC	300
Switching Voltage DC	300
Breakdown Voltage Min. DC	600

All ratings are for resistive load only.

Standard Parts

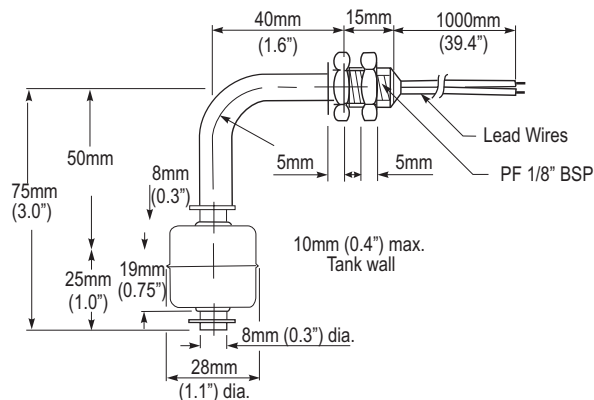
SSF24X100

Leadouts

100cm XLPE wires

Mechanical Dimensions

All dimensions are in millimeters (inches)



USA

Cynergy3 Components
11125 Knott Avenue, Suite D
San Diego, CA 90630
Sales & Tech Support (866) 258-5057
Email: sales@cynergy3.com

EUROPE - UK

Cynergy3 Components Ltd.
7 Cobham Road
Ferndown Industrial Estate
Wimborne, Dorset BH21 7PE
Telephone +44 (0) 1202 897969
Fax +44 (0) 1202 891918 &AX
Email:sales@cynergy3.com