

1.2MHz Boost DC/DC Converter with 1.5A Switch and Soft-Start

FEATURES

- 1.5A, 36V Internal Switch
- 1.2MHz Switching Frequency
- Integrated Soft-Start Function
- Output Voltage Up to 34V
- Low V_{CESAT} Switch: 300mV at 1.5A (Typ)
- 8V at 430mA from a 3.3V Input
- Small 8-Lead MSOP Package

APPLICATIONS

- TFT-LCD Bias Supplies
- GPS Receivers
- DSL Modems
- Local Power Supplies

DESCRIPTION

The LT[®]1946 is a fixed frequency step-up DC/DC converter containing an internal 1.5A, 36V switch. Capable of generating 8V at 430mA from a 3.3V input, the LT1946 is ideal for large TFT-LCD panel power supplies. The LT1946 switches at 1.2MHz, allowing the use of tiny, low profile inductors and low value ceramic capacitors. Loop compensation can be either internal or external, giving the user flexibility in setting loop compensation and allowing optimized transient response with low ESR ceramic output capacitors. Soft-start is controlled with an external capacitor, which determines the input current ramp rate during start-up.

The 8-lead MSOP package and high switching frequency ensure a low profile overall solution less than 1.2mm high.

LT, LTC and LT are registered trademarks of Linear Technology Corporation.

TYPICAL APPLICATION

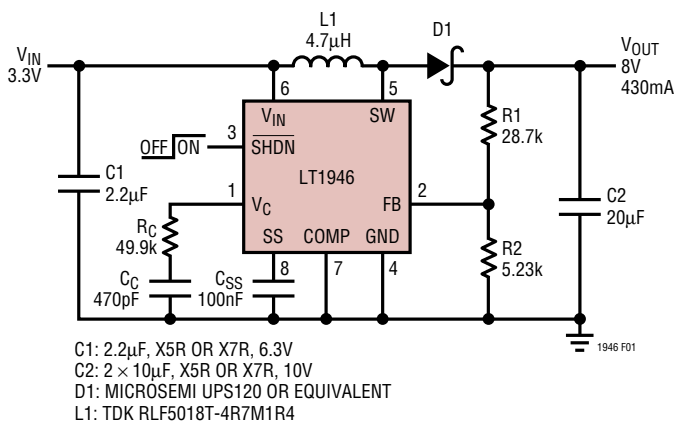
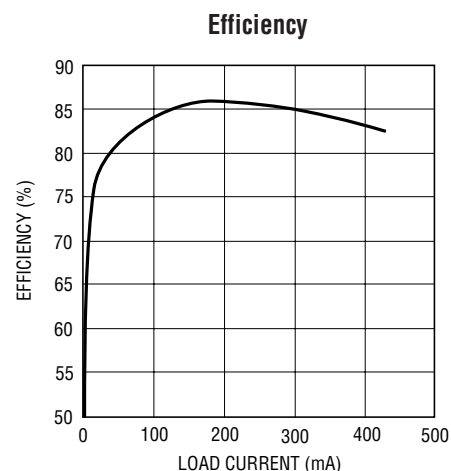


Figure 1. 3.3V to 8V, 430mA Step-Up DC/DC Converter



1946 F01b

ABSOLUTE MAXIMUM RATINGS

(Note 1)

V_{IN} Voltage	16V
SW Voltage	-0.4V to 36V
FB Voltage	2.5V
SHDN Voltage	16V
Current Into FB Pin	$\pm 1\text{mA}$
Maximum Junction Temperature	125°C
Operating Temperature Range (Note 2) ..	-40°C to 85°C
Storage Temperature Range	-65°C to 150°C
Lead Temperature (Soldering, 10 sec)	300°C

PACKAGE/ORDER INFORMATION

	ORDER PART NUMBER
	LT1946EMS8
	MS8 PART MARKING
	LTUG

Consult LTC Marketing for parts specified with wider operating temperature ranges.

ELECTRICAL CHARACTERISTICS

The ● denotes the specifications which apply over the full operating temperature range, otherwise specifications are at $T_A = 25^\circ\text{C}$. $V_{IN} = 3\text{V}$, $V_{SHDN} = V_{IN}$ unless otherwise specified. (Note 2)

SYMBOL	CONDITIONS	MIN	TYP	MAX	UNITS
Minimum Operating Voltage			2.45	2.6	V
Maximum Operating Voltage				16	V
Feedback Voltage		● 1.230	1.250	1.270	V
		● 1.220		1.270	V
FB Pin Bias Current	$V_{FB} = 1.250\text{V}$ (Note 3)	●	20	120	nA
Error Amp Transconductance	$\Delta I = 2\mu\text{A}$		40		μmhos
Error Amp Voltage Gain			300		V/V
Quiescent Current	$V_{SHDN} = 2.5\text{V}$, Not Switching		3.2	5	mA
Quiescent Current in Shutdown	$V_{SHDN} = 0\text{V}$, $V_{IN} = 3\text{V}$		0	1	μA
Reference Line Regulation	$2.6\text{V} \leq V_{IN} \leq 16\text{V}$		0.01	0.05	%/V
Switching Frequency		● 0.9	1.2	1.4	MHz
		● 0.8		1.5	MHz
Switching Frequency in Foldback	$V_{FB} = 0\text{V}$		0.4		MHz
Maximum Duty Cycle		● 86	90		%
Switch Current Limit	(Note 4)	● 1.5	2.1	3.1	A
Switch V_{CESAT}	$I_{SW} = 1\text{A}$		240	340	mV
Switch Leakage Current	$V_{SW} = 5\text{V}$		0.01	1	μA
Soft-Start Charging Current	$V_{SS} = 0.5\text{V}$	2.5	4	6	μA
SHDN Input Voltage High		2.4			V
SHDN Input Voltage Low				0.5	V
SHDN Pin Bias Current	$V_{SHDN} = 3\text{V}$ $V_{SHDN} = 0\text{V}$		16	32	μA
			0	0.1	μA

Note 1: Absolute Maximum Ratings are those values beyond which the life of a device may be impaired.

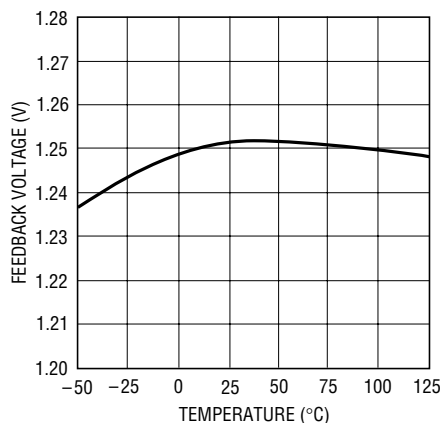
Note 2: The LT1946E is guaranteed to meet performance specifications from 0°C to 70°C. Specifications over the -40°C to 85°C operating temperature range are assured by design, characterization and correlation with statistical process controls.

Note 3: Current flows out of FB pin.

Note 4: Current limit guaranteed by design and/or correlation to static test. Current limit is independent of duty cycle and is guaranteed by design.

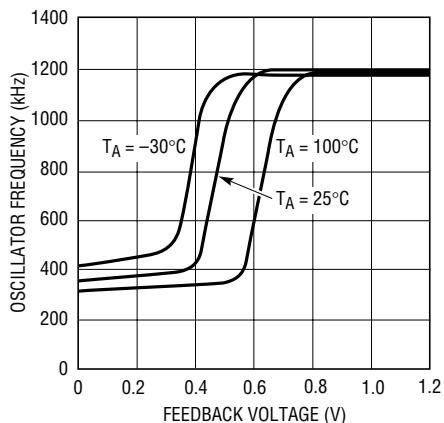
TYPICAL PERFORMANCE CHARACTERISTICS

Feedback Pin Voltage



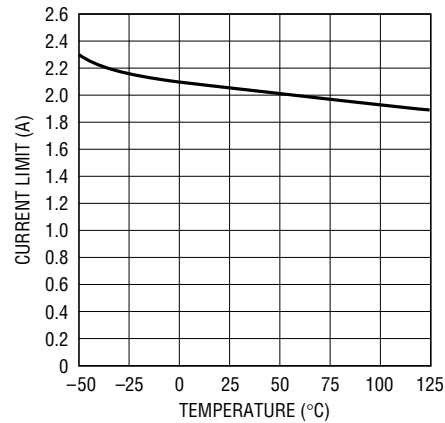
1946 G01

Oscillator Frequency



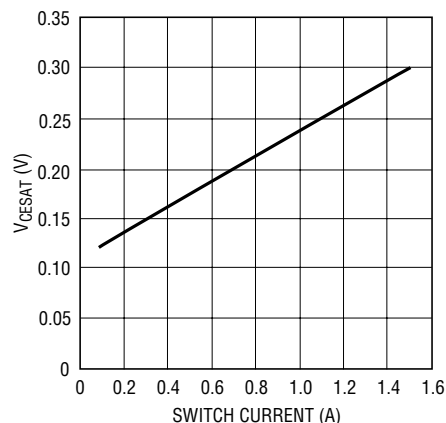
1946 G02

Current Limit



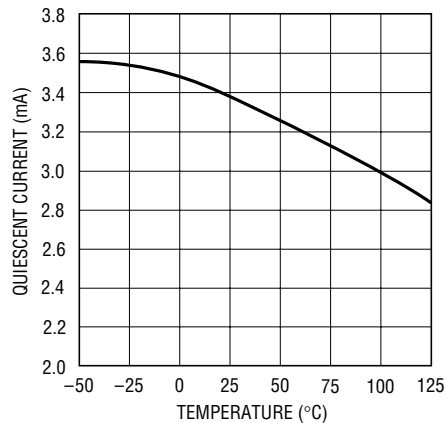
1946 G03

Switch Saturation Voltage



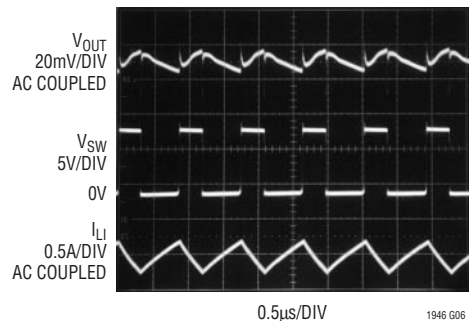
1946 G04

Quiescent Current



1946 G05

Switching Waveforms for Figure 1 Circuit



1946 G06

PIN FUNCTIONS

V_C (Pin 1): Error Amplifier Output Pin. Tie external compensation network to this pin, or use the internal compensation network by shorting the V_C pin to the COMP pin.

FB (Pin 2): Feedback Pin. Reference voltage is 1.250V. Connect resistive divider tap here. Minimize trace area at FB. Set V_{OUT} according to $V_{OUT} = 1.250(1 + R1/R2)$.

SHDN (Pin 3): Shutdown Pin. Tie to 2.4V or more to enable device. Ground to shut down. Do not float this pin.

GND (Pin 4): Ground. Tie directly to local ground plane.

SW (Pin 5): Switch Pin. This is the collector of the internal NPN power switch. Minimize the metal trace area connected to this pin to minimize EMI.

V_{IN} (Pin 6): Input Supply Pin. Must be locally bypassed.

COMP (Pin 7): Internal Compensation Pin. Provides an internal compensation network. Tie directly to the V_C pin for internal compensation. Tie to GND if not used.

SS (Pin 8): Soft-Start Pin. Place a soft-start capacitor here. Upon start-up, 4μA of current charges the capacitor to 1.5V. Use a larger capacitor for slower start-up. Leave floating if not in use.

BLOCK DIAGRAM

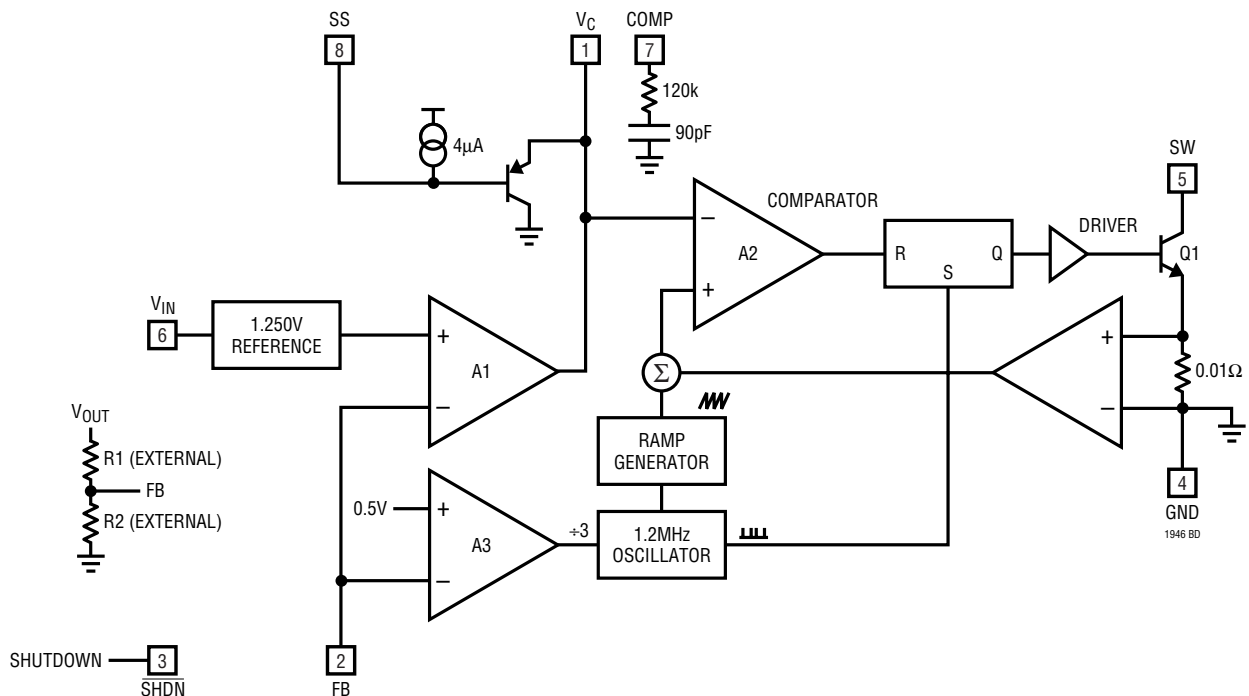


Figure 2. Block Diagram

OPERATION

The LT1946 uses a constant frequency, current mode control scheme to provide excellent line and load regulation. Please refer to Figure 2 for the following description of the part's operation. At the start of the oscillator cycle, the SR latch is set, turning on the power switch Q1. The switch current flows through the internal current sense resistor generating a voltage. This voltage is added to a stabilizing ramp and the resulting sum is fed into the positive terminal of the PWM comparator A2. When this voltage exceeds the level at the negative input of A2, the SR latch is reset, turning off the power switch. The level at the negative input of A2 (V_C pin) is set by the error amplifier (A1) and is simply an amplified version of the difference between the feedback voltage and the reference voltage of 1.250V. In this manner, the error amplifier sets the correct peak current level to keep the output in regulation.

Two functions are provided to enable a very clean start-up for the LT1946. Frequency foldback is used to reduce the oscillator frequency by a factor of 3 when the FB pin is

below a nominal value of 0.5V. This is accomplished via comparator A3. This feature reduces the minimum duty cycle that the part can achieve thus allowing better control of the switch current during start-up. When the FB pin voltage exceeds 0.5V, the oscillator returns to the normal frequency of 1.2MHz. A soft-start function is also provided by the LT1946. When the part is brought out of shutdown, 4 μ A of current is sourced out of the SS pin. By connecting an external capacitor to the SS pin, the rate of voltage rise on the pin can be set. Typical values for the soft-start capacitor range from 10nF to 200nF. The SS pin directly limits the rate of rise on the V_C pin, which in turn limits the peak switch current. Current limit is not shown in Figure 2. The switch current is constantly monitored and not allowed to exceed the nominal value of 2.1A. If the switch current reaches 2.1A, the SR latch is reset regardless of the output of comparator A2. This current limit helps protect the power switch as well as the external components connected to the LT1946.

APPLICATIONS INFORMATION

Inductor Selection

Several inductors that work well with the LT1946 are listed in Table 1. This table is not exclusive; there are many other manufacturers and inductors that can be used. Consult each manufacturer for more detailed information and for their entire selection of related parts, as many different sizes and shapes are available. Ferrite core inductors should be used to obtain the best efficiency, as core losses at 1.2MHz are much lower for ferrite cores than for the cheaper powdered-iron ones. Choose an inductor that can handle at least 1.5A without saturating, and ensure that the inductor has a low DCR (copper wire resistance) to minimize I^2R power losses. A 4.7 μ H to 10 μ H inductor will be the best choice for most LT1946 designs. Note that in some applications, the current handling requirements of the inductor can be lower, such as in the SEPIC topology where each inductor only carries one-half of the total switch current.

The inductors shown in Table 1 were chosen for small size. For better efficiency, use similar valued inductors with a larger volume.

Table 1. Recommended Inductors

PART	L (μ H)	MAX DCR (m Ω)	SIZE	VENDOR
			L \times W \times H (mm)	
CDRH5D18-4R1	4.1	57	5.7 \times 5.7 \times 2	Sumida (847) 956-0666 www.sumida.com
CDRH5D18-5R4	5.4	76		
CDRH5D28-5R3	5.3	38		
CDRH5D28-6R2	6.2	45		
CDRH5D28-8R2	8.2	53		
ELL6SH-4R7M	4.7	50	6.4 \times 6 \times 3	Panasonic (408) 945-5660 www.panasonic.com
ELL6SH-5R6M	5.6	59		
ELL6SH-6R8M	6.8	62		
RLF5018T-4R7M1R4	4.7	45	5.6 \times 5.2 \times 1.8	TDK (847) 803-6100 www.tdk.com

APPLICATIONS INFORMATION

Capacitor Selection

Low ESR (equivalent series resistance) capacitors should be used at the output to minimize the output ripple voltage. Multilayer ceramic capacitors are an excellent choice, as they have an extremely low ESR and are available in very small packages. X5R dielectrics are preferred, followed by X7R, as these materials retain the capacitance over wide voltage and temperature ranges. A 4.7 μ F to 20 μ F output capacitor is sufficient for most applications, but systems with very low output currents may need only a 1 μ F or 2.2 μ F output capacitor. Solid tantalum or OS-CON capacitors can be used, but they will occupy more board area than a ceramic and will have a higher ESR. Always use a capacitor with a sufficient voltage rating.

Ceramic capacitors also make a good choice for the input decoupling capacitor, which should be placed as close as possible to the LT1946. A 2.2 μ F to 4.7 μ F input capacitor is sufficient for most applications. Table 2 shows a list of several ceramic capacitor manufacturers. Consult the manufacturers for detailed information on their entire selection of ceramic parts.

Table 2. Ceramic Capacitor Manufacturers

Taiyo Yuden	(408) 573-4150 www.t-yuden.com
AVX	(803) 448-9411 www.avxcorp.com
Murata	(714) 852-2001 www.murata.com

Compensation—Adjustment

To compensate the feedback loop of the LT1946, a series resistor-capacitor network should be connected from the COMP pin to GND. For most applications, a capacitor in the range of 220pF to 680pF will suffice. A good starting value for the compensation capacitor, C_C , is 470pF. The compensation resistor, R_C , is usually in the range of 20k to 100k. A good technique to compensate a new application is to use a 100k Ω potentiometer in place of R_C , and use a 470pF capacitor for C_C . By adjusting the potentiometer while observing the transient response, the optimum value for R_C can be found. Figures 3a to 3c illustrate this process for the circuit of Figure 1 with a load current stepped from 250mA to 300mA. Figure 3a shows the transient response with R_C equal to 7.5k. The phase margin is

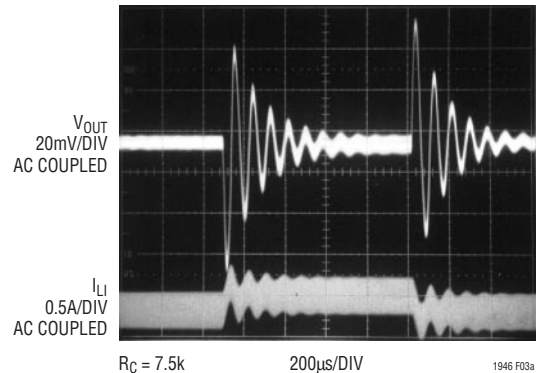


Figure 3a. Transient Response Shows Excessive Ringing

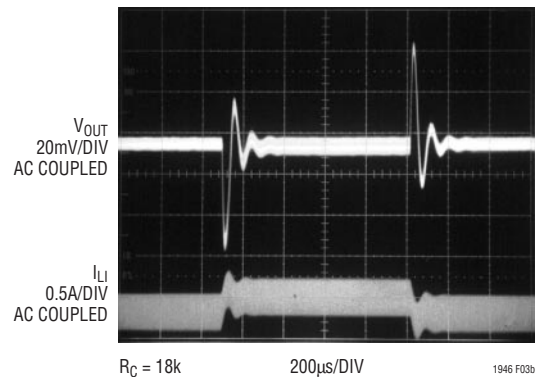


Figure 3b. Transient Response is Better

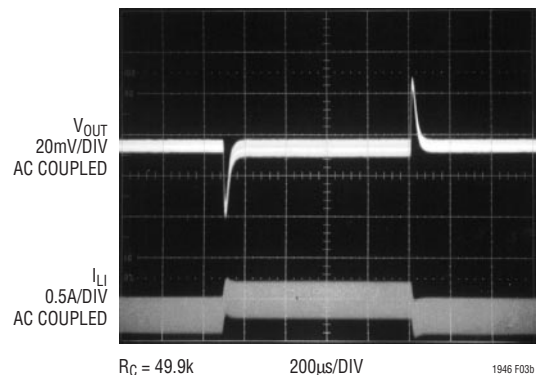


Figure 3c. Transient Response is Well Damped

poor as evidenced by the excessive ringing in the output voltage and inductor current. In Figure 3b, the value of R_C is increased to 18k, which results in a more damped response. Figure 3c shows the results when R_C is increased further to 49.9k. The transient response is nicely damped and the compensation procedure is complete. The COMP pin provides access to an internal resistor (120k) and capacitor (90pF). For some applications, these values will suffice and no external R_C and C_C will be needed.

sn1946 1946fs

APPLICATIONS INFORMATION

Compensation—Theory

Like all other current mode switching regulators, the LT1946 needs to be compensated for stable and efficient operation. Two feedback loops are used in the LT1946: a fast current loop which does not require compensation, and a slower voltage loop which does. Standard Bode plot analysis can be used to understand and adjust the voltage feedback loop.

As with any feedback loop, identifying the gain and phase contribution of the various elements in the loop is critical. Figure 4 shows the key equivalent elements of a boost converter. Because of the fast current control loop, the power stage of the IC, inductor and diode have been replaced by the equivalent transconductance amplifier g_{mp} . g_{mp} acts as a current source where the output current is proportional to the V_C voltage. Note that the maximum output current of g_{mp} is finite due to the current limit in the IC.

From Figure 4, the DC gain, poles and zeroes can be calculated as follows:

$$\text{Output Pole: } P1 = \frac{2}{2 \cdot \pi \cdot R_L \cdot C_{OUT}}$$

$$\text{Error Amp Pole: } P2 = \frac{1}{2 \cdot \pi \cdot R_0 \cdot C_C}$$

$$\text{Error Amp Zero: } Z1 = \frac{1}{2 \cdot \pi \cdot R_C \cdot C_C}$$

$$\text{DC GAIN: } A = \frac{1.25}{V_{OUT}} \cdot g_{ma} \cdot R_0 \cdot g_{mp} \cdot R_L$$

$$\text{ESR Zero: } Z2 = \frac{1}{2 \cdot \pi \cdot ESR \cdot C_{OUT}}$$

$$\text{RHP Zero: } Z3 = \frac{V_{IN}^2 \cdot R_L}{2 \cdot \pi \cdot V_{OUT}^2 \cdot L}$$

$$\text{High Frequency Pole: } P3 > \frac{f_S}{3}$$

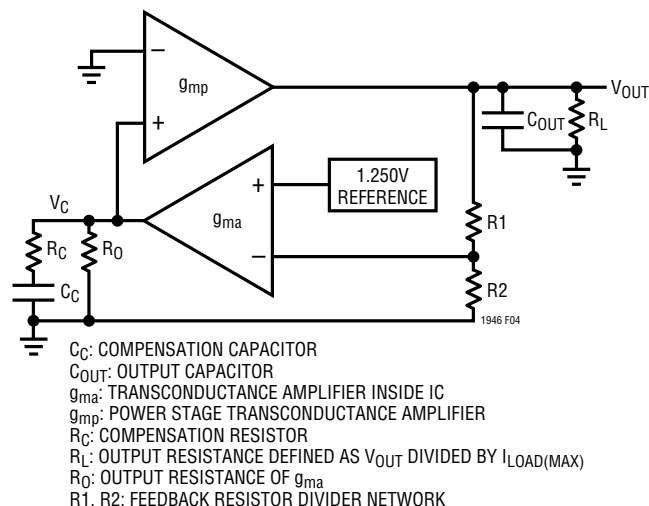


Figure 4. Boost Converter Equivalent Model

The Current Mode zero is a right half plane zero which can be an issue in feedback control design, but is manageable with proper external component selection.

Using the circuit of Figure 1 as an example, the following table shows the parameters used to generate the Bode plot shown in Figure 5.

Table 3. Bode Plot Parameters

Parameter	Value	Units	Comment
R_L	18.6	Ω	Application Specific
C_{OUT}	20	μF	Application Specific
R_0	10	$M\Omega$	Not Adjustable
C_C	470	pF	Adjustable
R_C	49.9	$k\Omega$	Adjustable
V_{OUT}	8	V	Application Specific
V_{IN}	3.3	V	Application Specific
g_{ma}	40	μmho	Not Adjustable
g_{mp}	5	mho	Not Adjustable
L	5.4	μH	Application Specific
f_S	1.2	MHz	Not Adjustable

From Figure 5, the phase is 120° when the gain reaches 0dB giving a phase margin of 60° . This is more than adequate. The crossover frequency is 25kHz, which is about three times lower than the frequency of the right half plane zero Z2. It is important that the crossover frequency be at least three times lower than the frequency of the RHP zero to achieve adequate phase margin.

APPLICATIONS INFORMATION

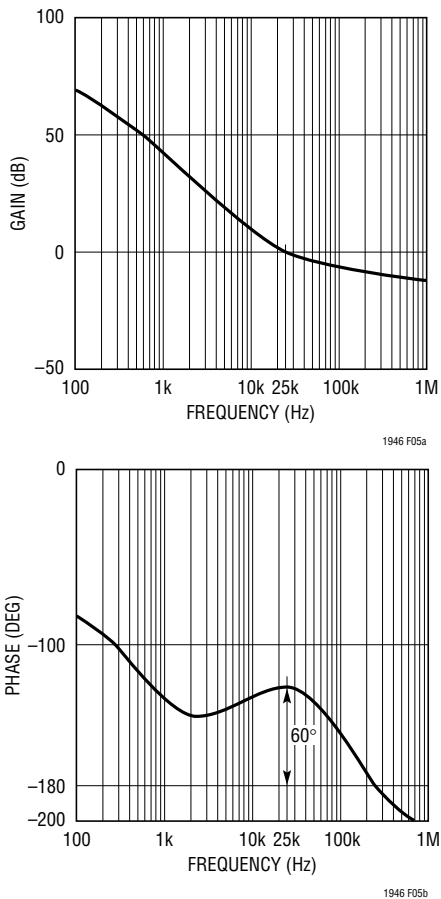


Figure 5. Bode Plot of Figure 1's Circuit

Diode Selection

A Schottky diode is recommended for use with the LT1946. The Microsemi UPS120 is a very good choice. Where the input to output voltage differential exceeds 20V, use the UPS140 (a 40V diode). These diodes are rated to handle an average forward current of 1A. For applications where the average forward current of the diode is less than 0.5A, an ON Semiconductor MBR0520 diode can be used

Setting Output Voltage

To set the output voltage, select the values of R1 and R2 (see Figure 1) according to the following equation:

$$R1 = R2 \left(\frac{V_{OUT}}{1.25V} - 1 \right)$$

A good range for R2 is from 5k to 30k.

Layout Hints

The high speed operation of the LT1946 demands careful attention to board layout. You will not get advertised performance with careless layout. Figure 6 shows the recommended component placement for a boost converter.

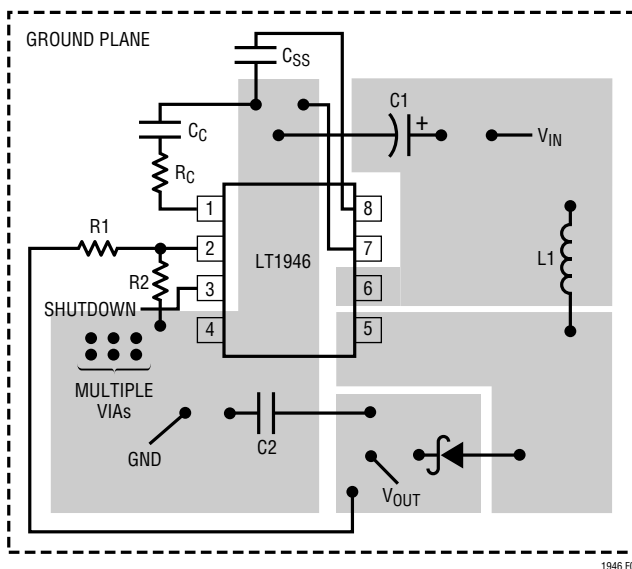
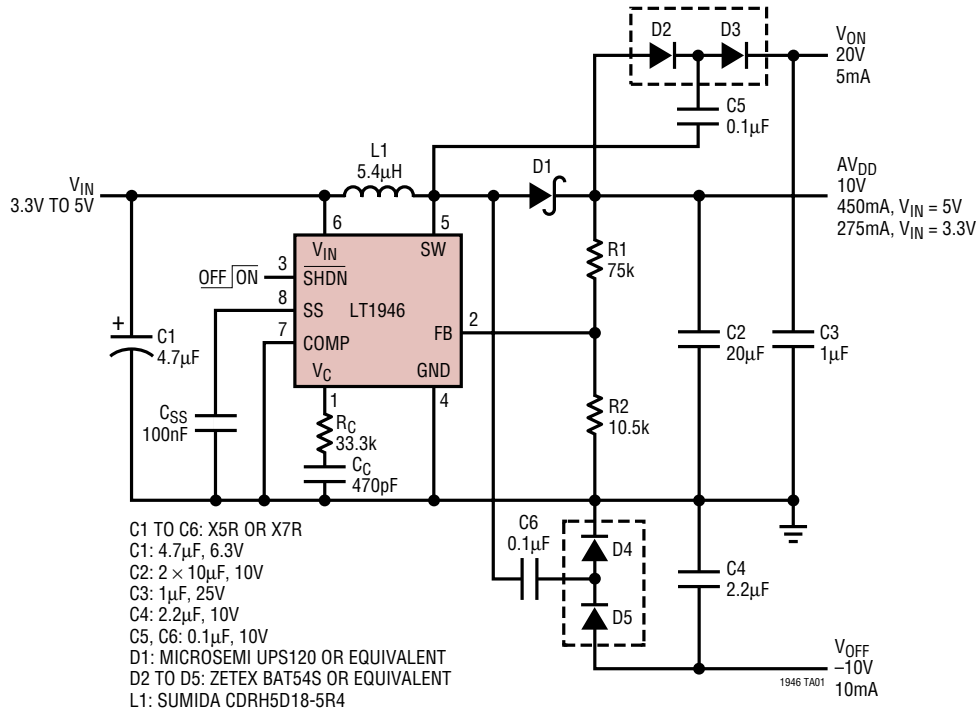


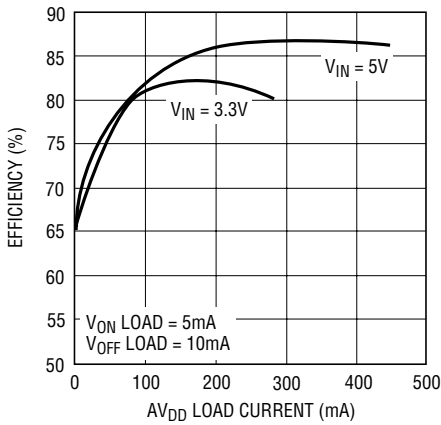
Figure 6. Recommended Component Placement for Boost Converter. Note Direct High Current Paths Using Wide PC Traces. Minimize Trace Area at Pin 1 (V_C) and Pin 2 (FB). Use Multiple Vias to Tie Pin 4 Copper to Ground Plane. Use Vias at One Location Only to Avoid Introducing Switching Currents into the Ground Plane

TYPICAL APPLICATIONS

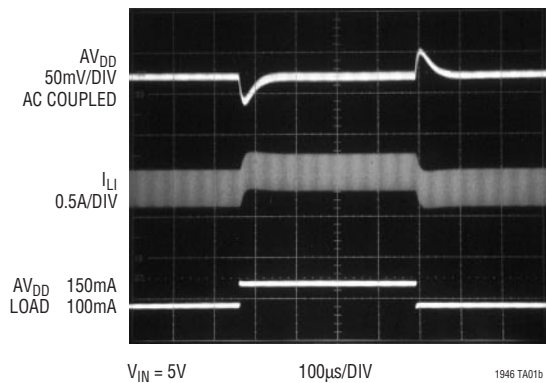
Low Profile, Triple Output TFT Supply (10V, -10V, 20V)



Efficiency

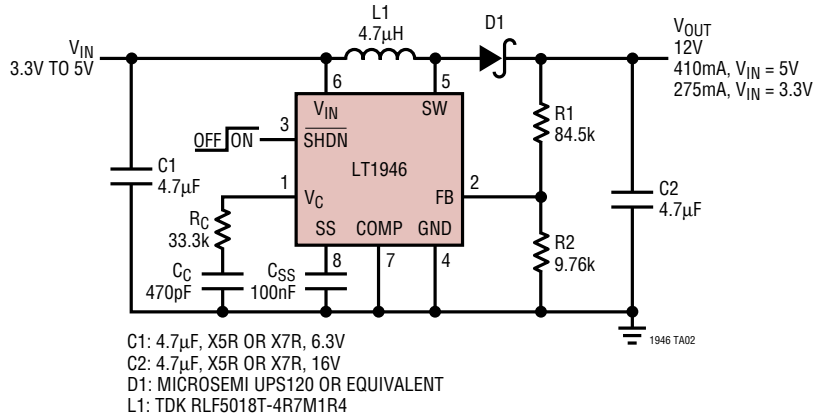


Transient Response

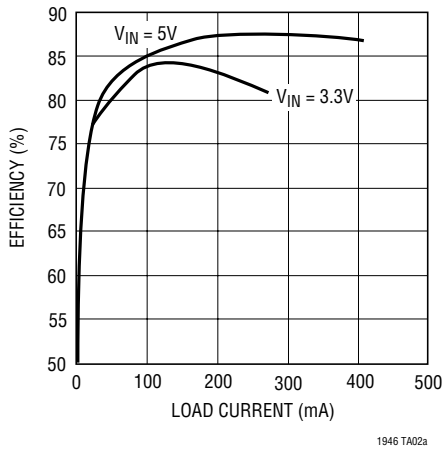


TYPICAL APPLICATIONS

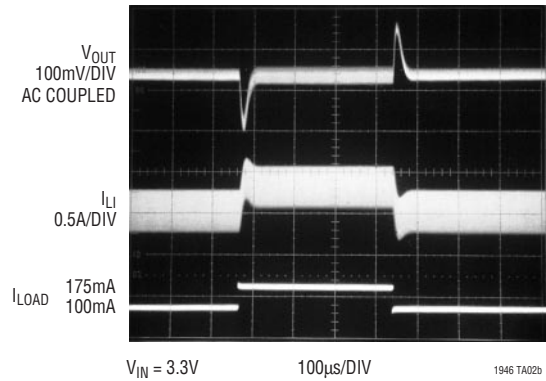
12V Output Boost Converter



Efficiency

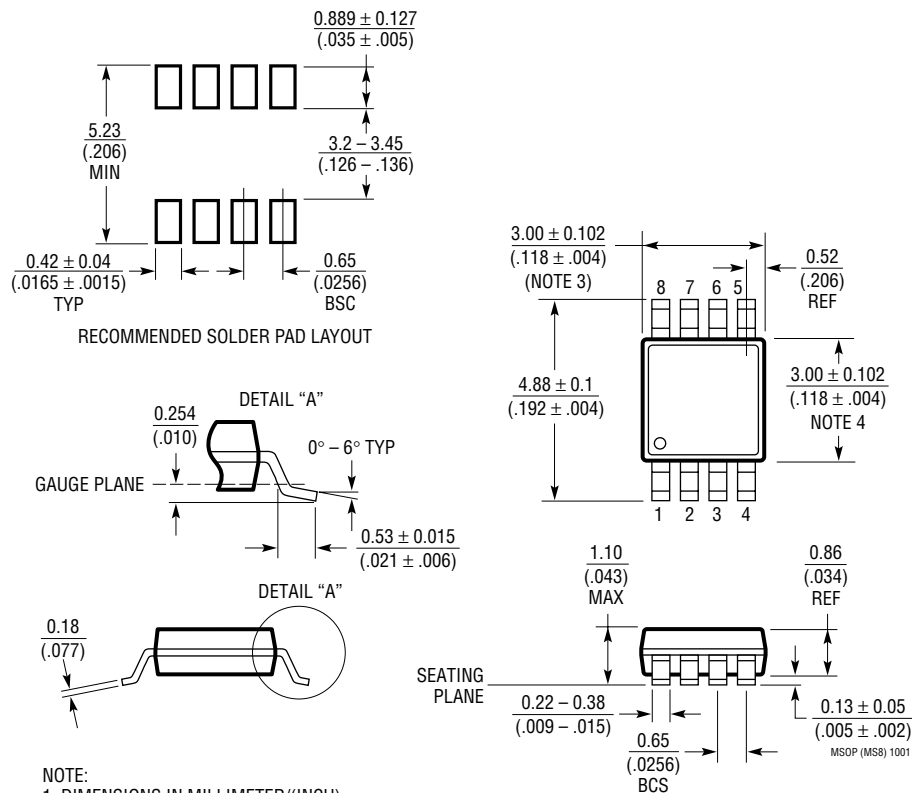


Transient Response



PACKAGE DESCRIPTION

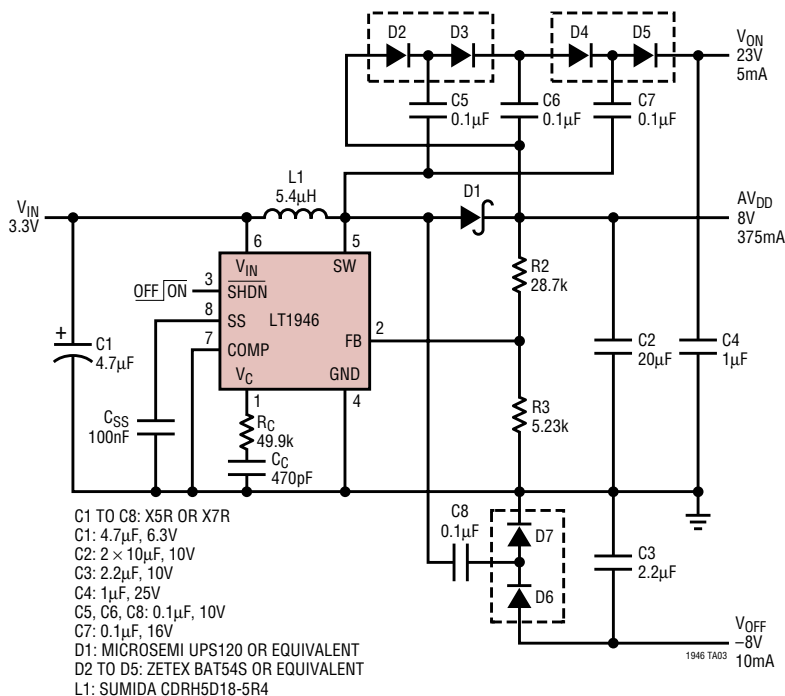
MS8 Package 8-Lead Plastic MSOP (Reference LTC DWG # 05-08-1660)



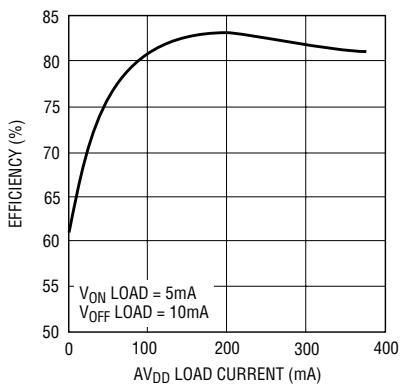
- NOTE:
1. DIMENSIONS IN MILLIMETER/(INCH)
 2. DRAWING NOT TO SCALE
 3. DIMENSION DOES NOT INCLUDE MOLD FLASH, PROTRUSIONS OR GATE BURRS.
MOLD FLASH, PROTRUSIONS OR GATE BURRS SHALL NOT EXCEED 0.152mm (.006") PER SIDE
 4. DIMENSION DOES NOT INCLUDE INTERLEAD FLASH OR PROTRUSIONS.
INTERLEAD FLASH OR PROTRUSIONS SHALL NOT EXCEED 0.152mm (.006") PER SIDE
 5. LEAD COPLANARITY (BOTTOM OF LEADS AFTER FORMING) SHALL BE 0.102mm (.004") MAX

TYPICAL APPLICATION

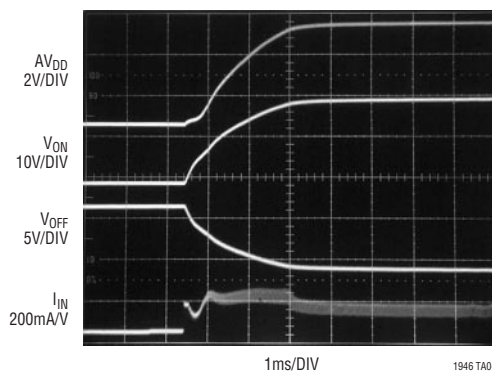
Low Profile, Triple Output TFT Supply (8V, -8V, 23V)



Efficiency



Start-Up Waveforms



RELATED PARTS

PART NUMBER	DESCRIPTION	COMMENTS
LT1613	1.4MHz Switching Regulator in 5-Lead ThinSOT™	5V at 200mA from 3.3V Input, ThinSOT Package
LT1615	Micropower Constant Off-Time DC/DC Converter in 5-Lead ThinSOT	20V at 12mA from 2.5V, ThinSOT Package
LT1930/LT1930A	1.2MHz/2.2MHz, 1A Switching Regulator in 5-Lead ThinSOT	12V at 300mA from 5V Input, ThinSOT Package
LT1944/LT1944-1	Dual 350mA Boost Converter	VIN = 1.2V to 15V, VOUT to 34V, MS10 Package
LT1945	Dual ±250mA Boost Converter	VIN = 1.2V to 15V, VOUT to ±34V, MS10 Package
LT1946A	12.7MHz, 1.5A Boost DC/DC Converter	VIN = 2.45V to 16V, VOUT to 34V, MS8E Package
LT1947	3MHz, Dual Switching Regulator	8V at 200mA from 3.3V Input, 10-Lead MSOP Package

Burst Mode and ThinSOT are trademarks of Linear Technology Corporation.

sn1946 1946fs