



## Conductive polymer Aluminum solid capacitors

### NP CAP™ PSC series

- High CV
- Low ESR, Higher Ripple
- Suitable for DC-DC converters, voltage regulators and decoupling applications for computer motherboards

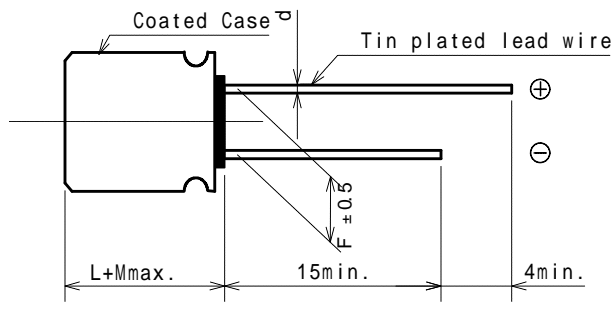
## Features High CV & Low



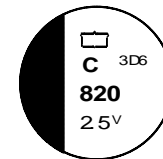
### Part Number System

PSC	2.5	VB	820	M	H08
Series Name	Rated Voltage	Shape Code	Capacitance	Tolerance	Size Code

### Dimensions (mm)



### Marking



Code	H08	H11	J11	J12
f D	8	8	10	10
L	8	11.5	11.5	12.5
M	1.0	1.5	1.5	1.5
F	3.5	3.5	5.0	5.0
f d	0.6	0.8	0.8	0.6

### Specifications

Items	Characteristics
Category Temperature Range	-55 to +105°C
Rated Voltage	2.5~16 Vdc
Surge Voltage	Rated Voltage x 1.15
Capacitance Tolerance	±20%
Leakage Current	0.2CV or 500µAmax. (at 20°C, Rated Voltage, after 2 minutes)
Dissipation Factor (tand)	0.10max. (at 20°C? 120Hz)
Endurance	105°C Rated voltage applied for 2000 hours
Bias Humidity	60°C, 90 to 95% RH for 1000 hours.

\*Note: If any doubt arises, measure the leakage current after the following voltage treatment.  
Voltage treatment: DC rated voltage is applied to the capacitors for 60 minutes at 105°C.

## Standard Rating

Part Number	Rated Voltage (V)	Nominal Capacitance ( $\mu$ F)	Leakage Current ( $\mu$ A)	ESR at 20 °C 100? 300kHz (mO)	Ripple Current at 105 °C, 100kHz (mA <sub>rms</sub> )
PSC2.5VB560MH08	2.5	560	500	7	6100
PSC2.5VB820MH08	2.5	820	500	7	6100
PSC2.5VB1000MH11	2.5	1000	500	7	6100
PSC2.5VB2700MJ11	2.5	2700	1350	8	5580
PSC4VB560MH08	4	560	500	7	6100
PSC4VB680MH11	4	680	544	7	6100
PSC4VB1000MJ11	4	1000	800	6	6640
PSC6.3VB470MH08	6.3	470	592	8	5700
PSC6.3VB820MJ11	6.3	820	1033	6	6640
PSC6.3VB1500MJ11	6.3	1500	1890	10	5560
PSC10VB390MH11	10	390	780	8	5650
PSC10VB680MJ11	10	680	1360	7	6100
PSC16VB270MH11	16	270	864	11	5080
PSC16VB330MJ12	16	330	1056	10	6100
PSC16VB470MJ12	16	470	1504	10	6100

\*Note: Specifications are subject to change without notice.

Issued by PS engineering group, Aug. 2004